



US00D907410S

(12) **United States Design Patent**  
**Choi**

(10) **Patent No.:** **US D907,410 S**

(45) **Date of Patent:** **\*\* Jan. 12, 2021**

(54) **MIRRORED VANITY TABLE WITH  
TRANSPARENT TABLETOP**

(71) Applicant: **Impressions Vanity Company**, Tustin,  
CA (US)

(72) Inventor: **Dong Kevin Choi**, Tustin, CA (US)

(73) Assignee: **Impressions Vanity Company**, Tustin,  
CA (US)

(\*\*) Term: **15 Years**

(21) Appl. No.: **29/690,460**

(22) Filed: **May 8, 2019**

(51) **LOC (13) Cl.** ..... **06-04**

(52) **U.S. Cl.**  
USPC ..... **D6/661**

(58) **Field of Classification Search**  
USPC ..... D6/407, 657, 661, 663, 664, 664.1,  
D6/668.2, 671, 671.1, 671.4, 675, 675.1,  
D6/675.5, 683.1, 691.1, 691.8, 691.9,  
D6/702, 703; D14/168, 184; D15/85  
CPC ... A47B 47/024; A47B 87/008; A47B 87/002;  
A47B 88/48; A47B 88/90; A47F 3/0413;  
A47F 5/116; A47F 5/0018; A47F 9/00;  
Y10T 428/24694; F25D 21/14; F25D  
23/069; F25D 2400/10

See application file for complete search history.

(56) **References Cited**

**U.S. PATENT DOCUMENTS**

- 1,503,746 A \* 8/1924 Claytor ..... A47B 13/08  
312/140.3
- D200,987 S \* 4/1965 McLean ..... D6/661
- D218,832 S \* 9/1970 Woods ..... D6/675
- 3,614,155 A \* 10/1971 Campbell ..... A47C 13/00  
297/129
- D276,963 S \* 1/1985 Ameduri ..... D6/407
- D342,757 S \* 12/1993 Krapf ..... D19/113
- D403,534 S \* 1/1999 Gregory ..... D6/559

- D453,209 S \* 1/2002 Pila ..... D23/286
- D565,870 S \* 4/2008 Thompson ..... D6/709
- D577,232 S \* 9/2008 Greiner ..... D6/667
- D577,233 S \* 9/2008 Greiner ..... D6/664.1
- D577,525 S \* 9/2008 Greiner ..... D6/702
- D821,119 S \* 6/2018 Choi ..... D6/675

(Continued)

**OTHER PUBLICATIONS**

“Convenience Concepts Gold Coast Mirrored Desk, Silver / Mirror”  
Oct. 23, 2018, amazon.com, site visited Sep. 11, 2020 <[https://www.amazon.com/Convenience-Concepts-Mirrored-Vanity-Silver/dp/B06XFMC17Z/ref=sr\\_1\\_11?dchild=1&keywords=vanity+table&qid=1599874110&sr=8-11](https://www.amazon.com/Convenience-Concepts-Mirrored-Vanity-Silver/dp/B06XFMC17Z/ref=sr_1_11?dchild=1&keywords=vanity+table&qid=1599874110&sr=8-11)> (Year: 2018).\*

*Primary Examiner* — Kevin K Rudzinski

*Assistant Examiner* — Paul D Bohannon

(74) *Attorney, Agent, or Firm* — Ansari Katiraei LLP;  
Arman Katiraei; Sadiq Ansari

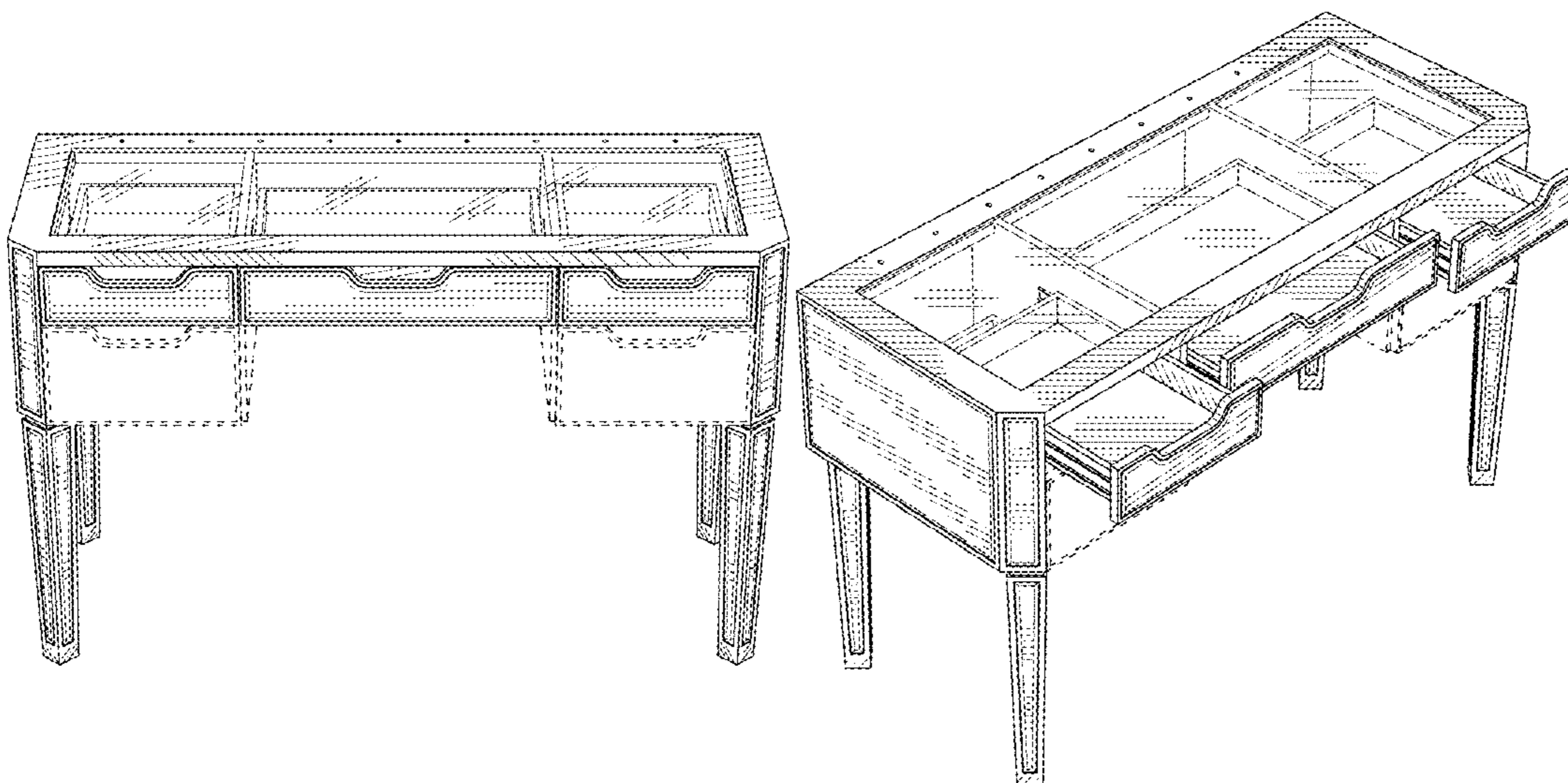
(57) **CLAIM**

I claim the ornamental design for a mirrored vanity table with transparent tabletop, as shown and described.

**DESCRIPTION**

FIG. 1 is a front view of a mirrored vanity table with transparent tabletop, shown in a first configuration of use with the drawers thereof closed;  
FIG. 2 is a top perspective view thereof;  
FIG. 3 is a top view thereof;  
FIG. 4 is a right side perspective view of the mirrored vanity table with transparent tabletop, shown in a second configuration of use with the drawers thereof open;  
FIG. 5 is a back view thereof; and,  
FIG. 6 is a left side view thereof, shown in the first configuration of use with the drawers thereof closed.  
The broken lines shown in the drawings are for the purpose of illustrating portions of the article and form no part of the claimed design.

**1 Claim, 6 Drawing Sheets**



(56)

**References Cited**

U.S. PATENT DOCUMENTS

D868,506 S \* 12/2019 Song ..... D6/664.1  
2018/0301855 A1 \* 10/2018 Lu ..... A47B 83/045

\* cited by examiner

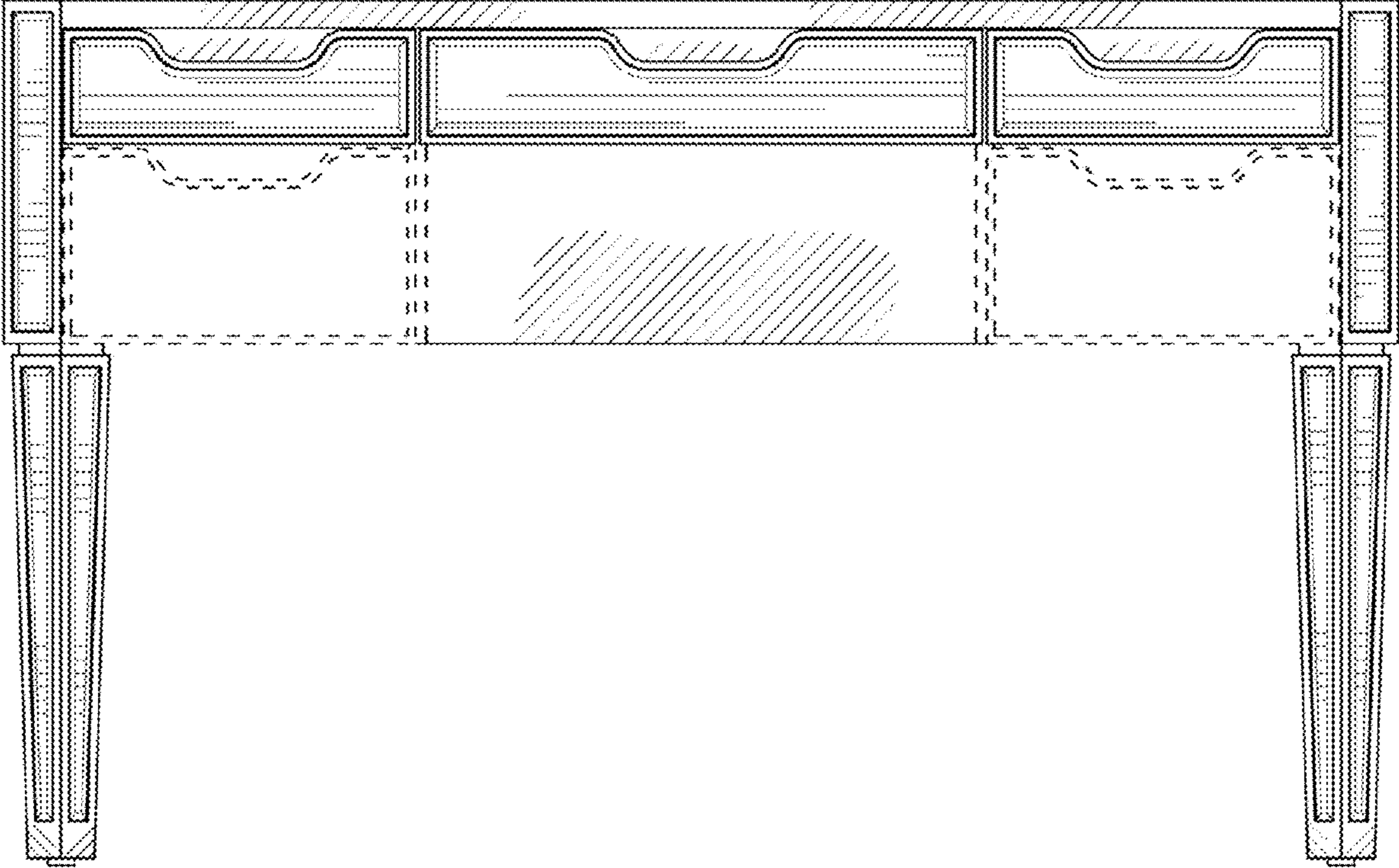


FIG. 1



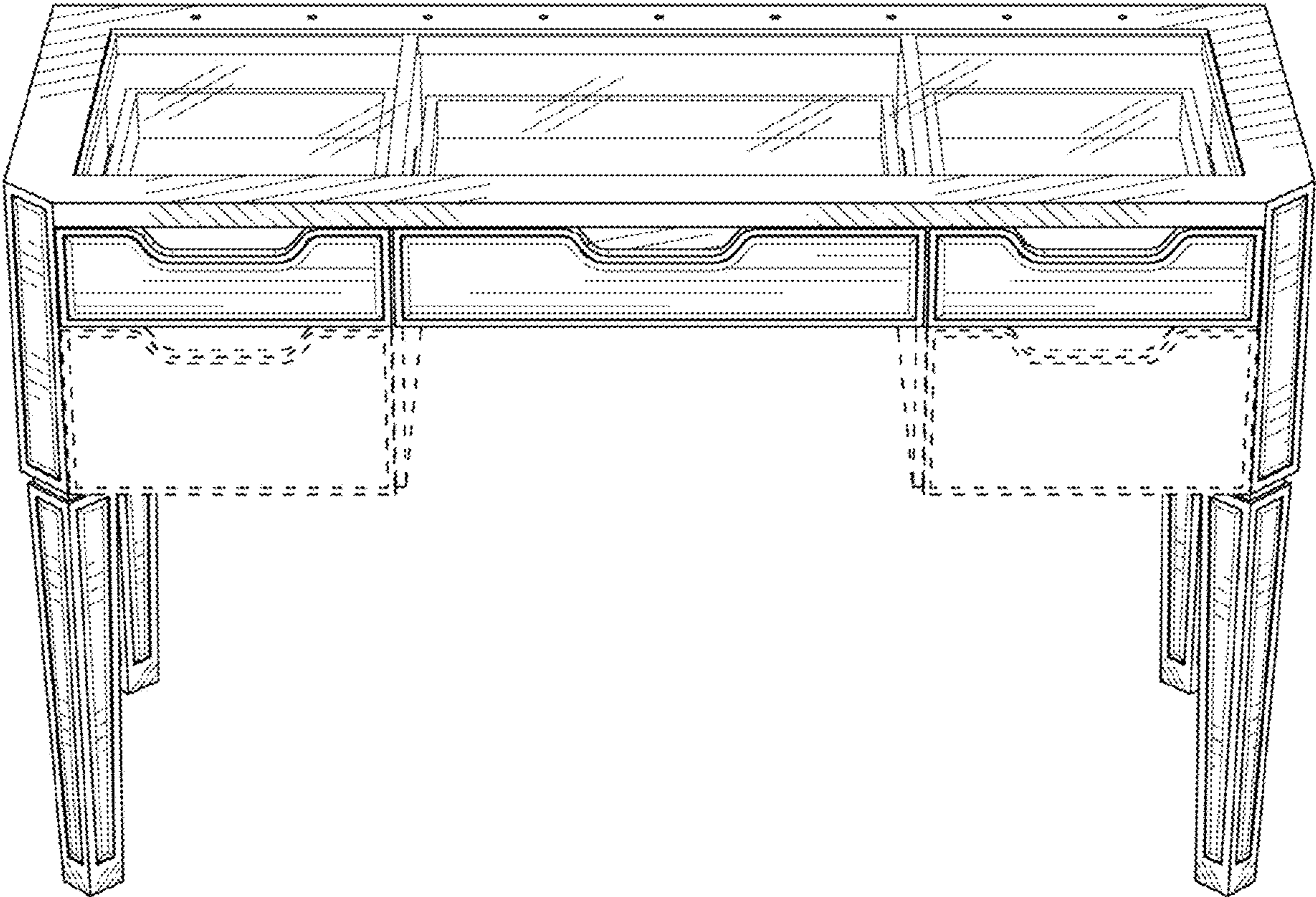


FIG. 2

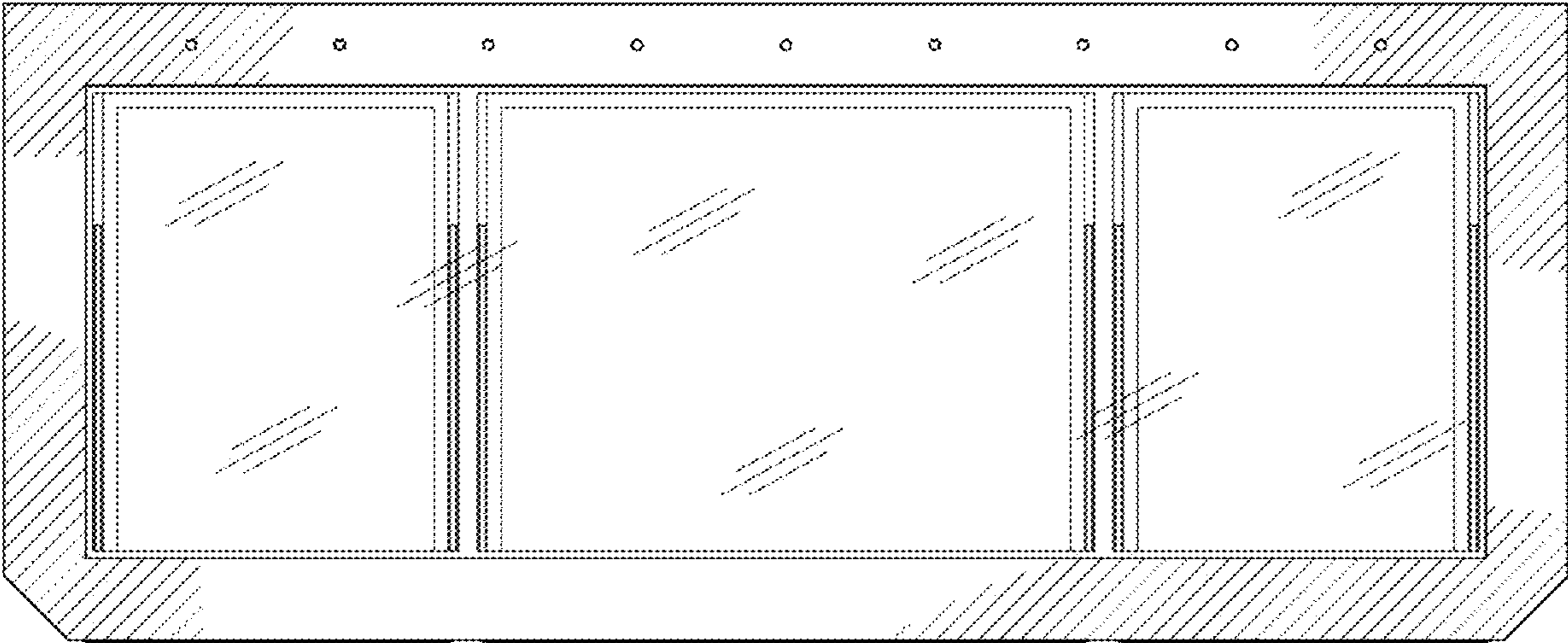


FIG. 3

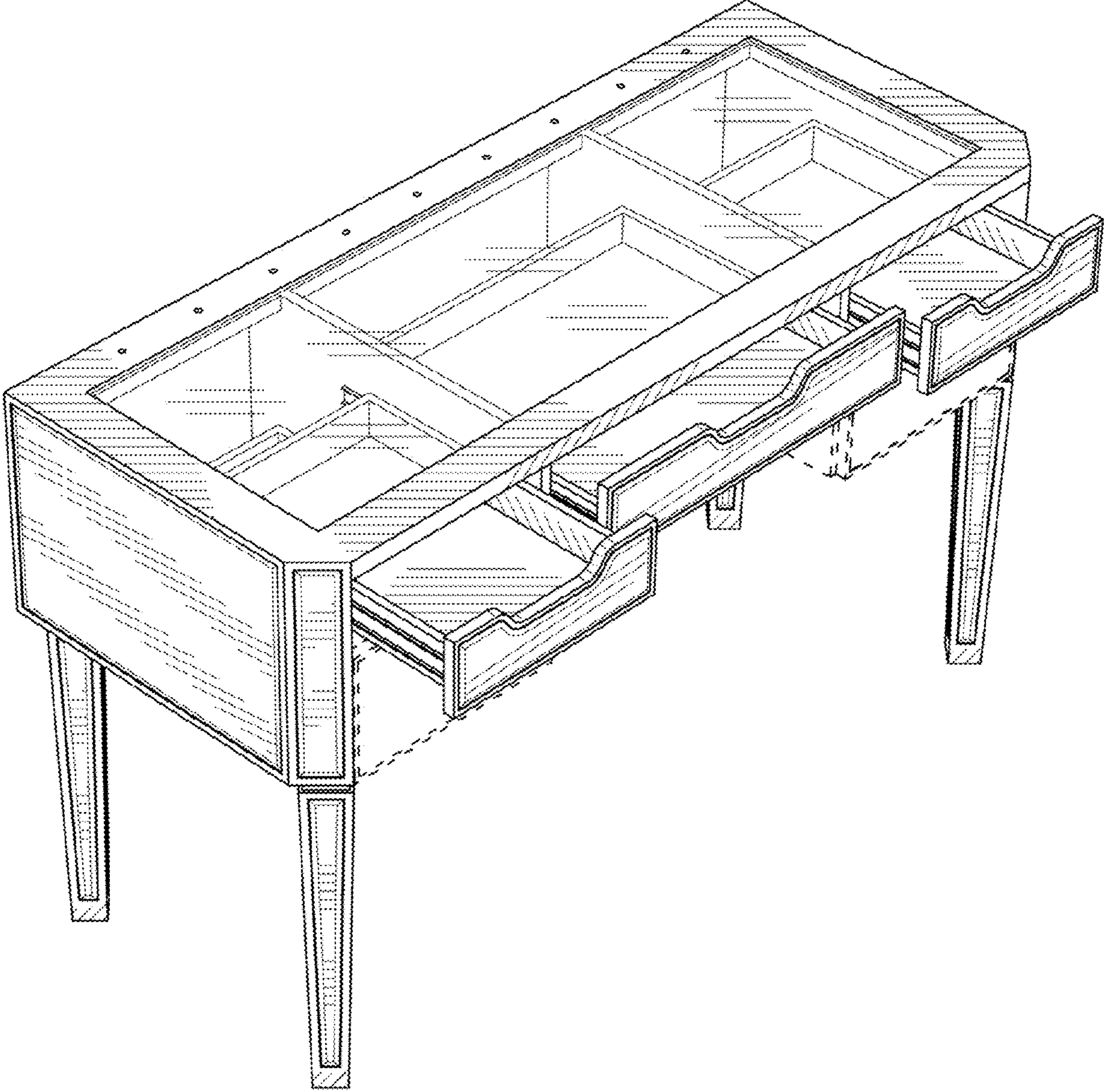


FIG. 4

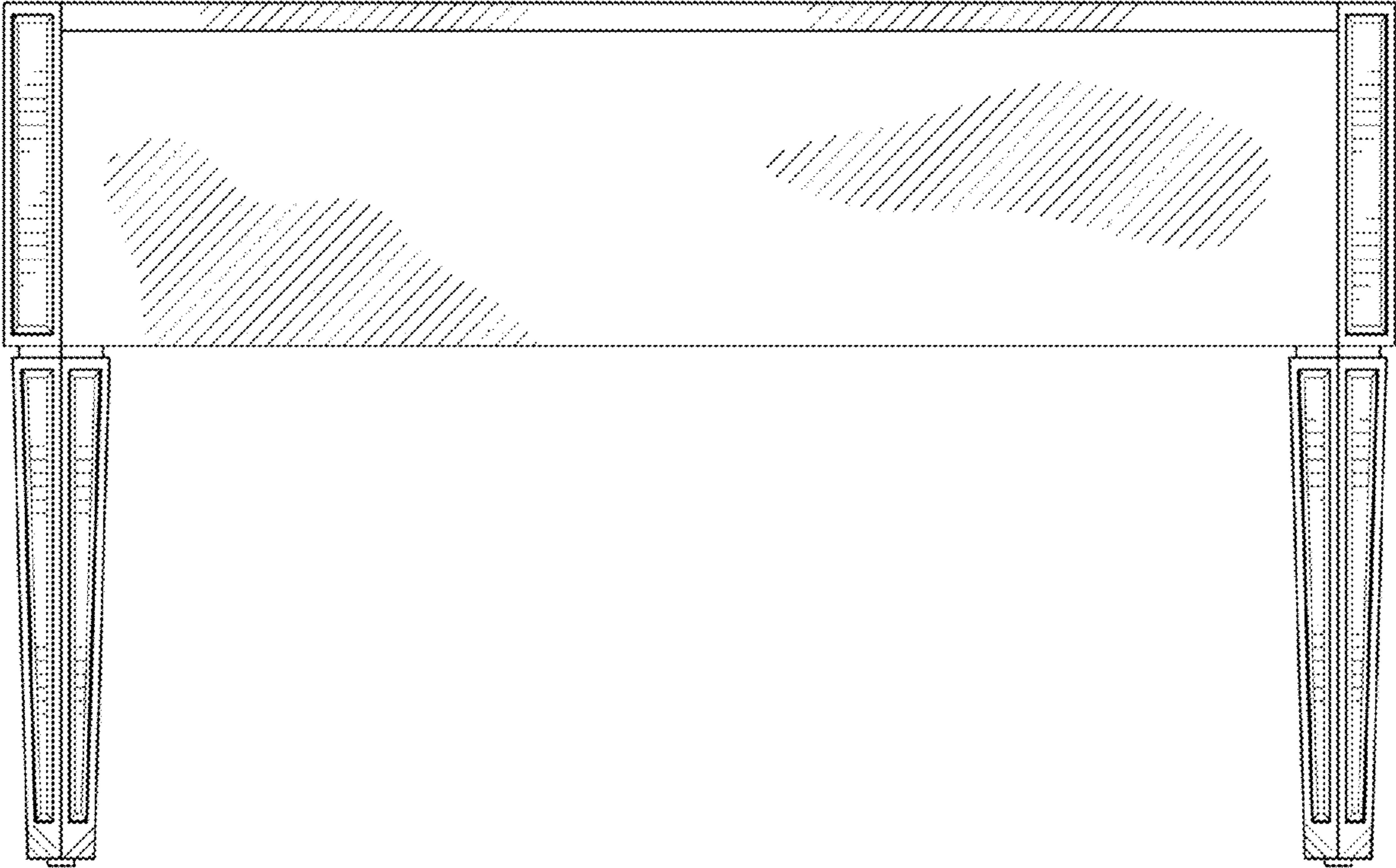
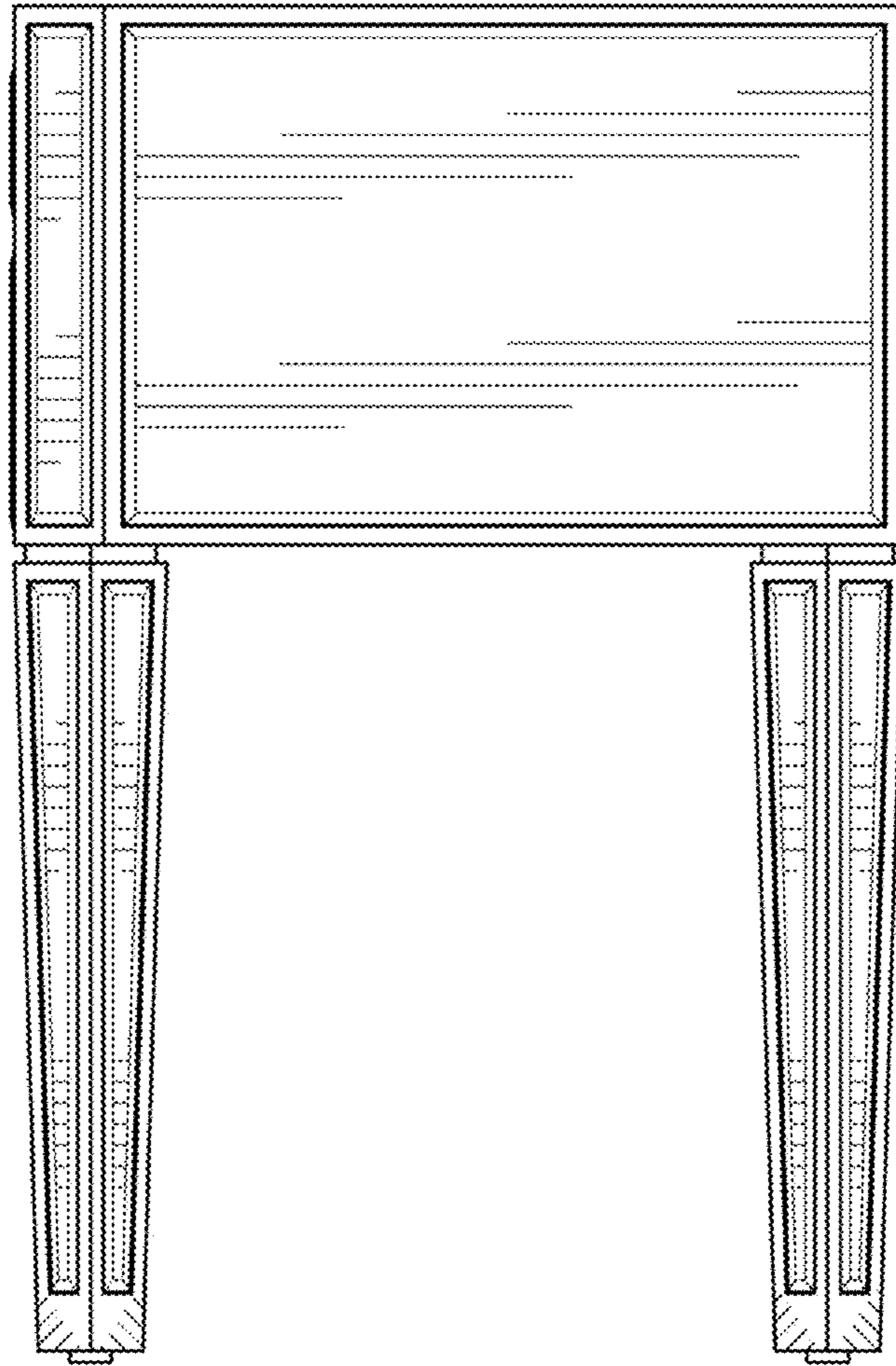


FIG. 5





**FIG. 6**