



US00D907409S

(12) **United States Design Patent** (10) **Patent No.:** **US D907,409 S**
Choi (45) **Date of Patent:** **** Jan. 12, 2021**

(54) **VANITY TABLE WITH TRANSPARENT DRAWERS**

D861,391 S * 10/2019 Choi D6/675
D886,499 S * 6/2020 Davis D6/691.9
D888,467 S * 6/2020 Li D6/655

(71) Applicant: **Impressions Vanity Company**, Tustin, CA (US)

(72) Inventor: **Dong Kevin Choi**, Tustin, CA (US)

(73) Assignee: **Impressions Vanity Company**, Tustin, CA (US)

(**) Term: **15 Years**

(21) Appl. No.: **29/685,533**

(22) Filed: **Mar. 28, 2019**

(51) **LOC (13) Cl.** **06-04**

(52) **U.S. Cl.**
USPC **D6/661**

(58) **Field of Classification Search**
USPC D6/329, 641, 651, 652, 655, 655.1,
D6/655.14, 655.15, 657, 661
CPC A47B 21/007; A47B 37/00; A47B 67/005;
A47F 3/005

See application file for complete search history.

(56) **References Cited**

U.S. PATENT DOCUMENTS

D101,100 S *	9/1936	Bate	D6/655
D155,976 S *	11/1949	Dunham	D6/655
D234,559 S *	3/1975	Waitzman	D6/651
D340,817 S *	11/1993	Barfield	D6/651
D355,312 S *	2/1995	Wolff	D6/652
D473,728 S *	4/2003	Chang	D6/655
D501,335 S *	2/2005	Stangl	D6/651
D529,730 S *	10/2006	McDiarmid	D6/651
D784,734 S *	4/2017	Weyts	D6/655.1
D821,119 S *	6/2018	Choi	D6/675

OTHER PUBLICATIONS

“SlayStation Plus 2.0 Vanity Table.” Found online Jul. 22, 2020 at www.impressionsvanity.com. Page archived Aug. 26, 2018. Retrieved from URL: <https://web.archive.org/web/20180826164027/https://impressionsvanity.com/collections/slaystation> (Year: 2018).*

“SlayStation Elite Vanity Table.” Found online Jul. 22, 2020 at www.impressionsvanity.com. Product reviewed May 21, 2020. Retrieved from URL: <https://impressionsvanity.com/products/slaystation-elite-vanity-table?variant=30372773888093> (Year: 2020).*

(Continued)

Primary Examiner — Mary Ann Calabrese

Assistant Examiner — Katelin G Kloberg

(74) *Attorney, Agent, or Firm* — Ansari Katiraei LLP; Arman Katiraei; Sadiq Ansari

(57) **CLAIM**

I claim the ornamental design for a vanity table with transparent drawers, as shown and described.

DESCRIPTION

FIG. 1 is a front elevation view of a vanity table with transparent drawers, showing my new design;

FIG. 2 is a perspective view thereof;

FIG. 3 is a back view thereof;

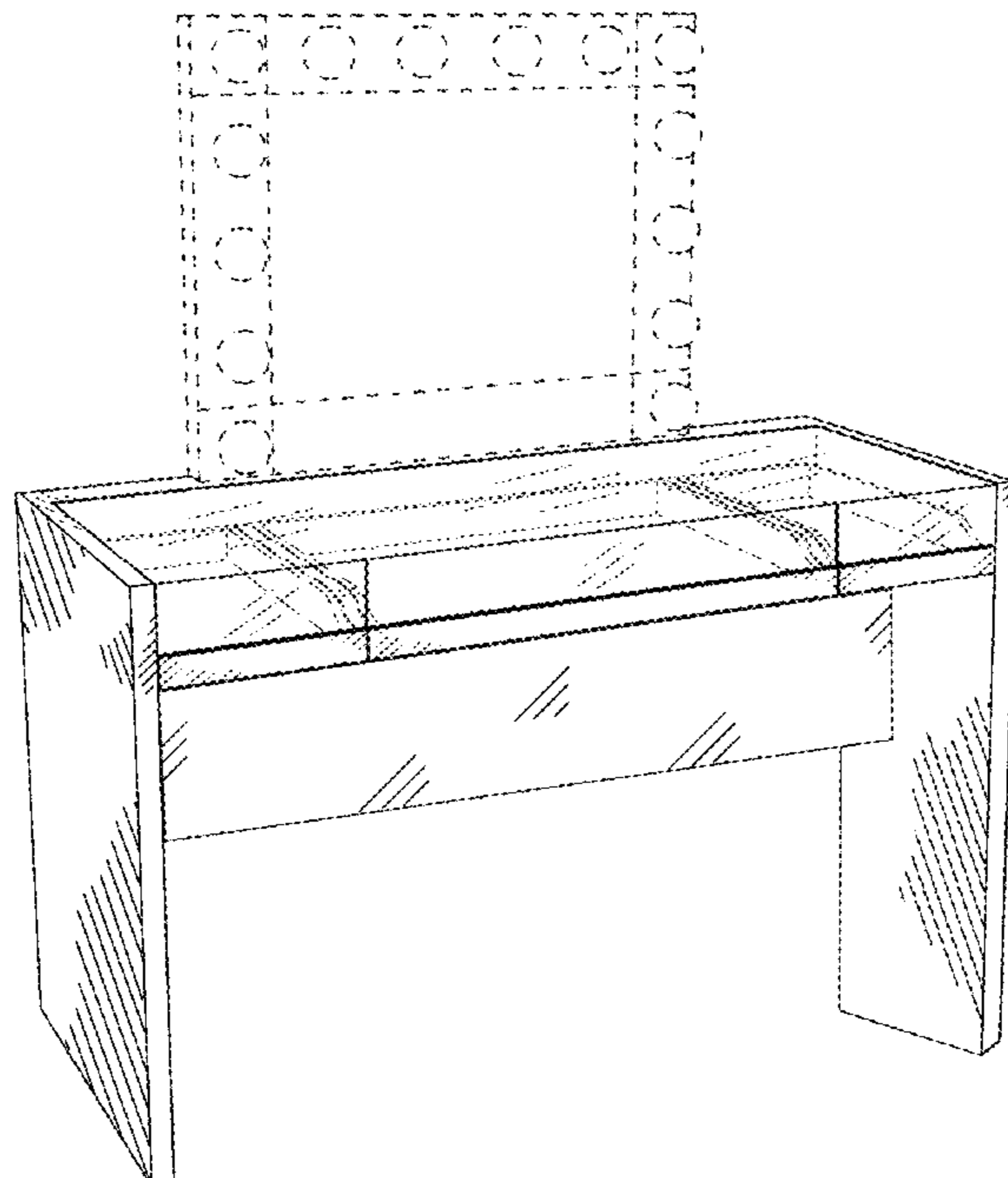
FIG. 4 is a left side elevation view thereof;

FIG. 5 is a right side elevation view thereof; and,

FIG. 6 is a perspective view, shown in an open configuration.

The broken lines depict environmental subject matter that forms no part of the claimed design.

1 Claim, 6 Drawing Sheets



(56)

References Cited

OTHER PUBLICATIONS

“YouTube—DIY Pull out vanity Drawer.” Found online Jul. 22, 2020 at www.youtube.com. Video published Oct. 18, 2015. retrieved from URL: https://www.youtube.com/watch?v=Dc7TCY_7J1w (Year: 2015).*

“Writing Desk with Glass Sides.” Found online Jul. 23, 2020 at www.amazon.com. Product first available Jul. 26, 2005. Retrieved from URL: https://www.amazon.com/Writing-Glass-Sides-Glossy-White/dp/B014KPUEGK?ref_=fsclp_pl_dp_1 (Year: 2005).*

* cited by examiner

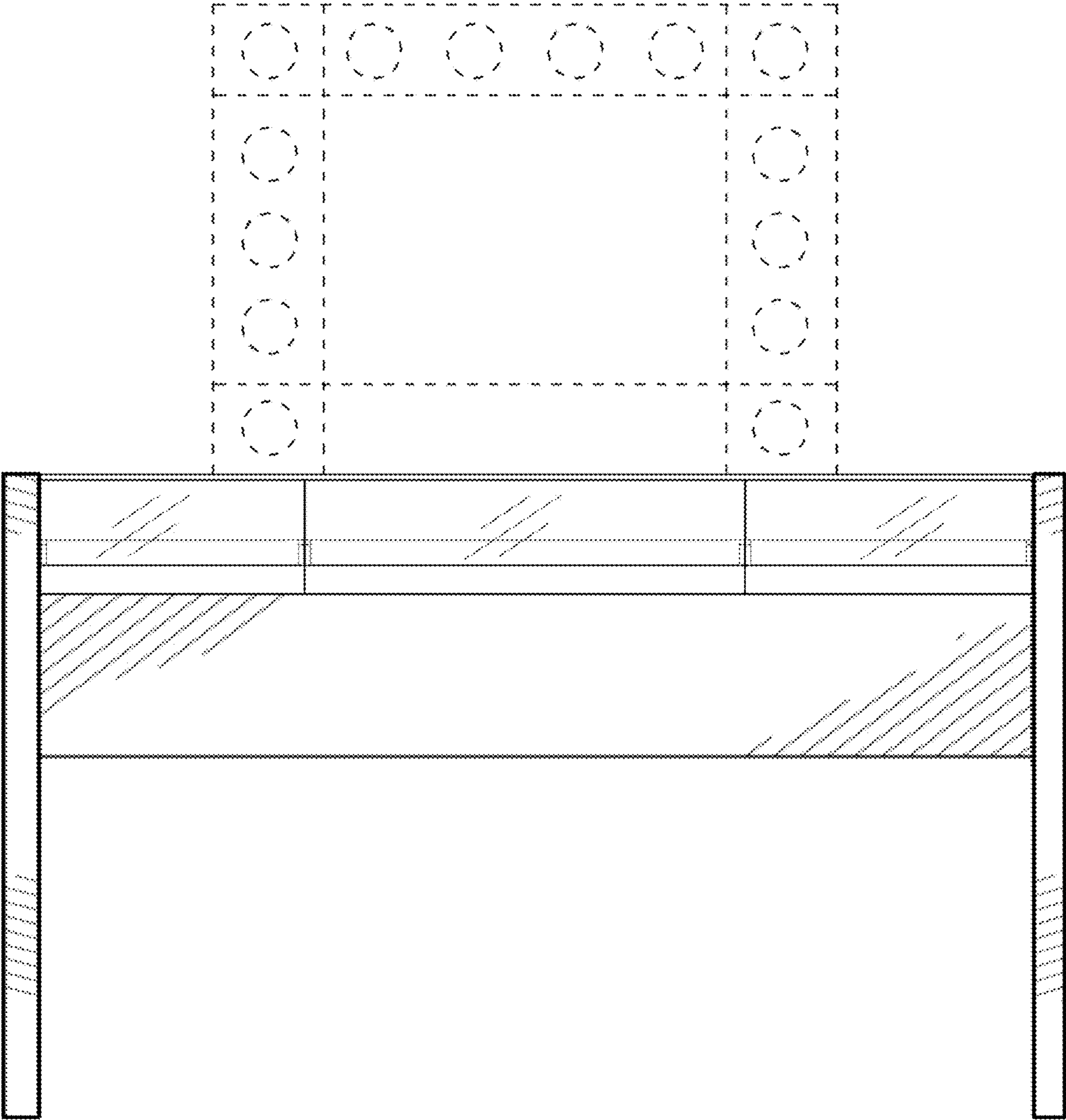


FIG. 1

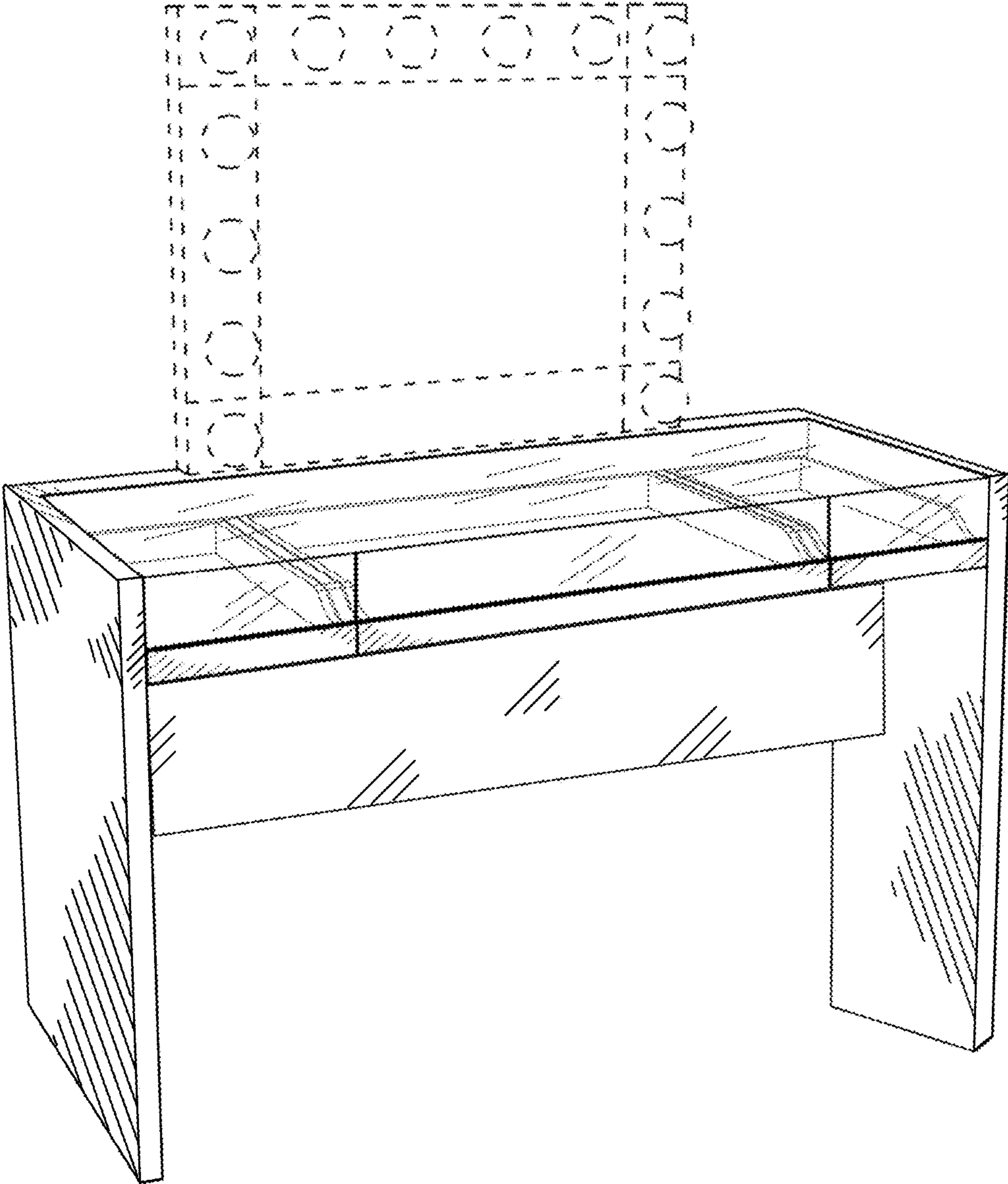


FIG. 2

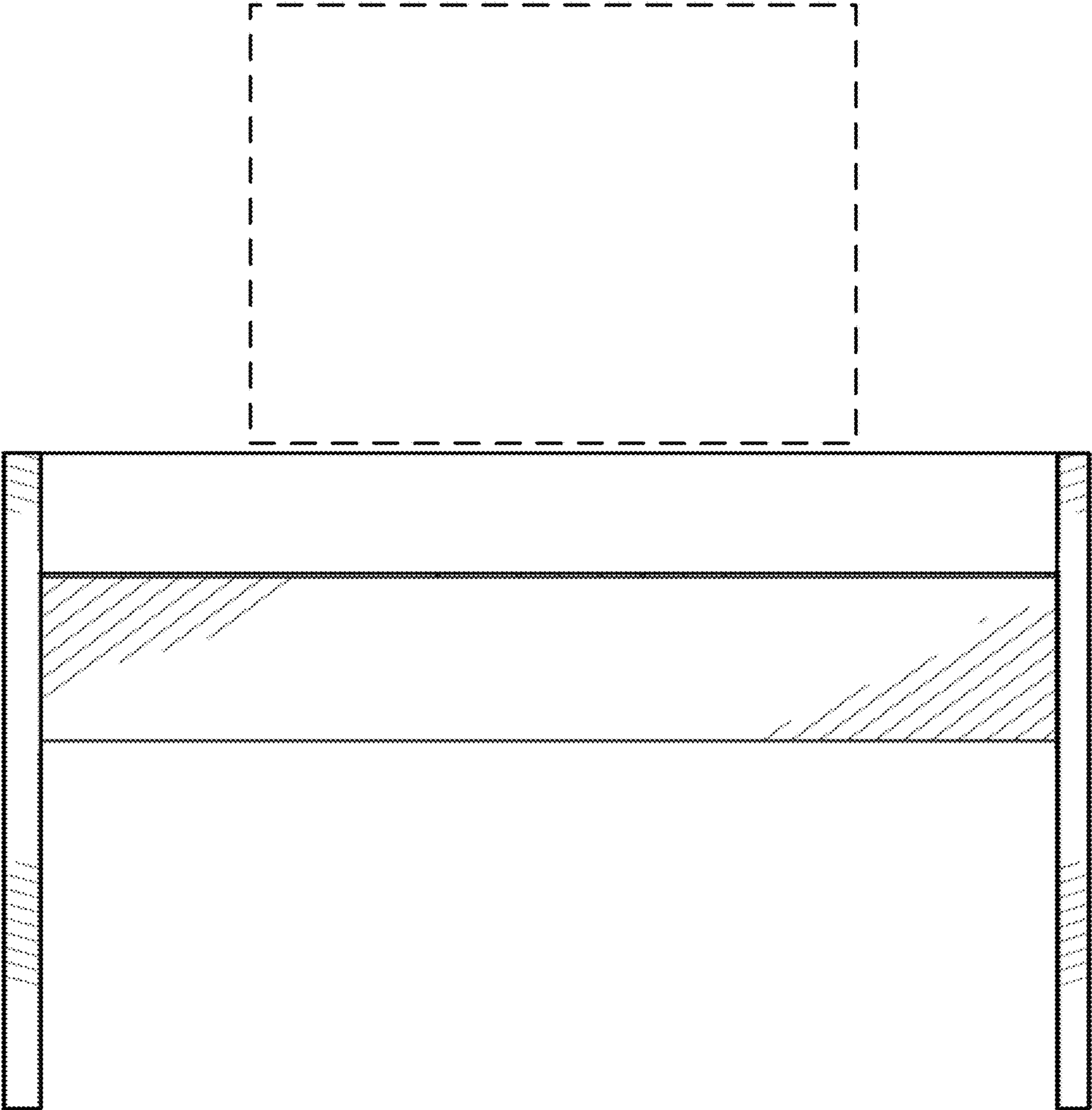


FIG. 3

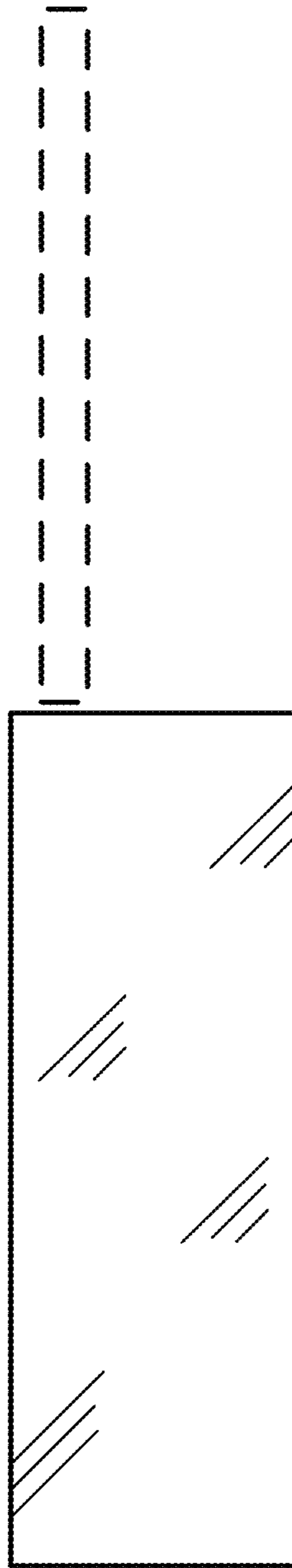


FIG. 4

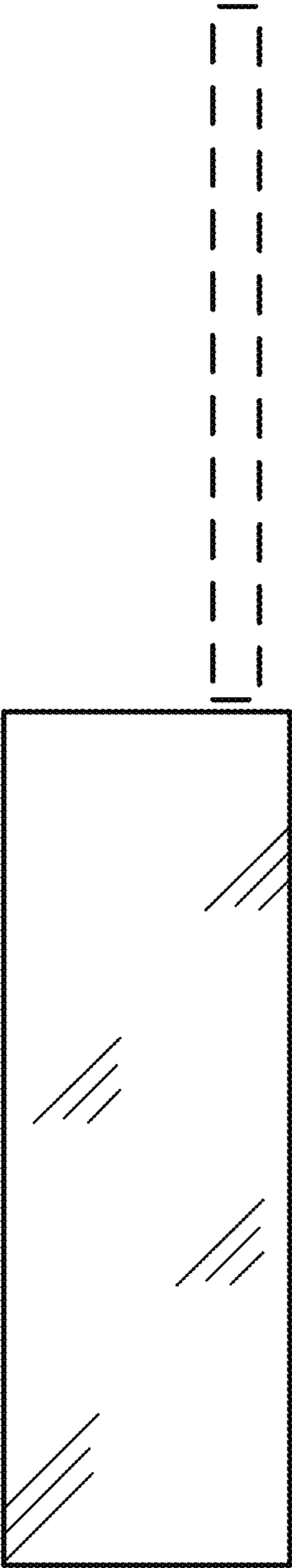


FIG. 5

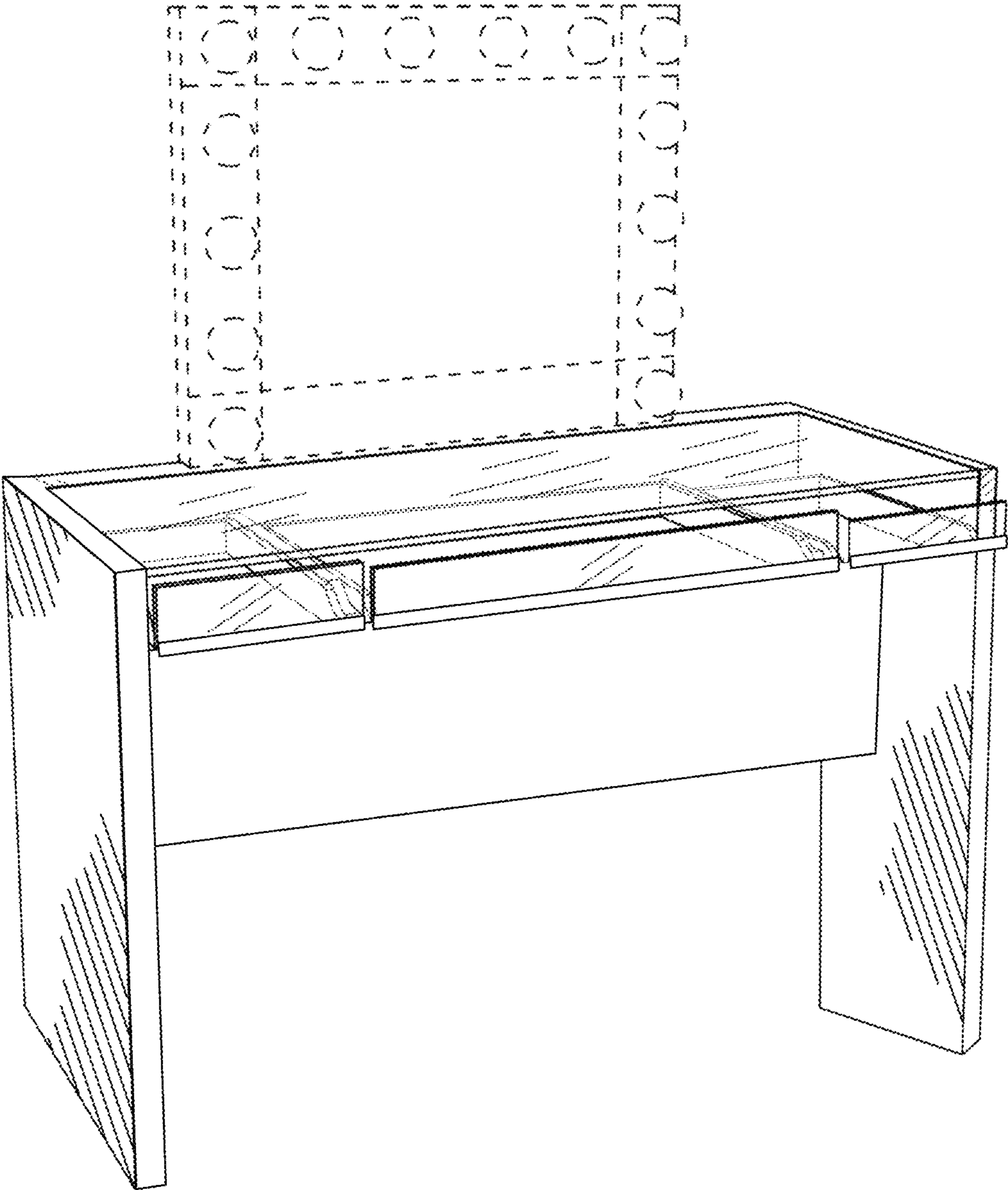


FIG. 6