



US00D907408S

(12) **United States Design Patent** (10) **Patent No.:** **US D907,408 S**  
**Choi** (45) **Date of Patent:** **\*\* Jan. 12, 2021**

(54) **VANITY TABLE WITH TRANSPARENT DRAWERS**

(71) Applicant: **Impressions Vanity Company**, Tustin, CA (US)

(72) Inventor: **Dong Kevin Choi**, Tustin, CA (US)

(73) Assignee: **Impressions Vanity Company**, Tustin, CA (US)

(\*\*) Term: **15 Years**

(21) Appl. No.: **29/685,529**

(22) Filed: **Mar. 28, 2019**

(51) **LOC (13) Cl.** ..... **06-04**

(52) **U.S. Cl.**  
USPC ..... **D6/661; D6/651; D6/655.15**

(58) **Field of Classification Search**  
USPC ..... D6/329, 641, 651, 652, 655, 655.1, D6/655.14, 655.15, 657, 661  
CPC ..... A47B 21/007; A47B 37/00; A47B 67/005; A47F 3/005  
See application file for complete search history.

(56) **References Cited**

**U.S. PATENT DOCUMENTS**

D42,388 S *	4/1912	Dunton	.....	D6/651
D46,247 S *	8/1914	Curtiss	.....	D6/661
1,211,433 A *	1/1917	Gibbons	.....	A47F 3/005
				312/114
D66,437 S *	1/1925	Stringe	.....	D6/651
2,259,145 A *	10/1941	Waldo	.....	A47B 43/02
				312/195
D132,964 S *	7/1942	Salomon	.....	D6/651
D141,284 S *	5/1945	Daniels	.....	D6/652
D143,266 S *	12/1945	Brainard	.....	D6/651
D146,374 S *	2/1947	Obrig	.....	D6/671.1
D166,901 S *	6/1952	Bjorncrantz	.....	D6/651
D241,898 S *	10/1976	Moll	.....	D6/651
D340,817 S *	11/1993	Barfield	.....	D6/651

D389,335 S *	1/1998	Tilley	.....	D6/651
D446,404 S *	8/2001	Hall	.....	D6/651
D501,335 S *	2/2005	Stangl	.....	D6/651
D522,773 S *	6/2006	Becker	.....	D6/661
D546,504 S *	7/2007	Good	.....	D6/651
D581,694 S *	12/2008	Kreiss	.....	D6/651
D668,473 S *	10/2012	Sofield	.....	D6/651
D715,583 S *	10/2014	Trinh	.....	D6/651

(Continued)

**OTHER PUBLICATIONS**

“SlayStation Pro 2.0 Bundle.” Found online Jul. 23, 2020 at [www.impressionsvanity.com](http://www.impressionsvanity.com). Product reviewed Apr. 15, 2020. Retrieved from URL: <https://impressionsvanity.com/collections/slaystation/products/slaystation-pro-2-0-tabletop-vanity-mirror-4-drawer-units-bundle?variant=31553356103773> (Year: 2020).\*

(Continued)

*Primary Examiner* — Mary Ann Calabrese

*Assistant Examiner* — Katelin G Kloberg

(74) *Attorney, Agent, or Firm* — Ansari Katiraei LLP; Arman Katiraei; Sadiq Ansari

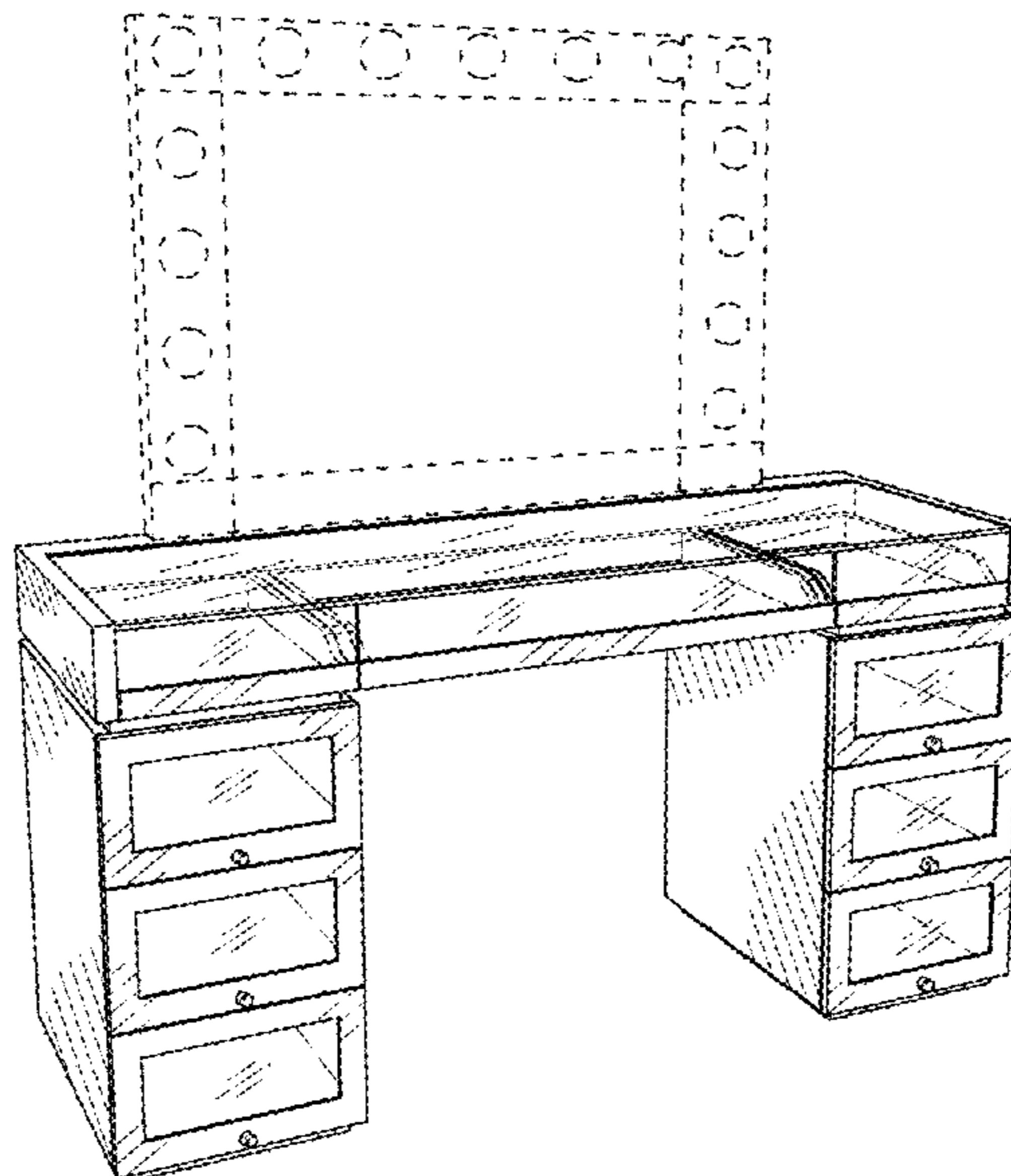
(57) **CLAIM**

I claim the ornamental design for a vanity table with transparent drawers, as shown and described.

**DESCRIPTION**

FIG. 1 is a front elevation view of a vanity table with transparent drawers, showing my new design; FIG. 2 is a perspective view thereof; FIG. 3 is a rear elevation view thereof; FIG. 4 is a left side elevation view thereof; FIG. 5 is a right side elevation view thereof; and, FIG. 6 is a perspective view thereof, shown in an open configuration. The broken lines depict environmental subject matter that forms no part of the claimed design.

**1 Claim, 6 Drawing Sheets**



(56)

**References Cited**

U.S. PATENT DOCUMENTS

D735,498 S \* 8/2015 Dworman ..... D6/651  
D821,119 S \* 6/2018 Choi ..... D6/675  
D861,391 S \* 10/2019 Choi ..... D6/675

OTHER PUBLICATIONS

“Impressions Vanity SlayStation 2.0 Tabletop plus 4 Drawer Units.”  
Found online Jul. 23, 2020 at [www.etsy.com](http://www.etsy.com). Product reviewed Apr.  
16, 2020. Retrieved from URL: [https://www.etsy.com/listing/  
764554654/impressions-vanity-slaystation-pro-20?ref=shop\\_home\\_  
active\\_4&frs=1&crt=1](https://www.etsy.com/listing/764554654/impressions-vanity-slaystation-pro-20?ref=shop_home_active_4&frs=1&crt=1) (Year: 2020).\*

“Clear Vanity Tables.” Found online Jul. 23, 2020 at [www.presseff.info](http://www.presseff.info).  
Page dated Aug. 8, 2019. Retrieved from URL: [http://presseff.  
info/clear-vanity-table/](http://presseff.info/clear-vanity-table/) (Year: 2019).\*

“A Desk Designed with a Transparent Top for Crafters.” Found  
online Jul. 24, 2020 at [www.core77.com](http://www.core77.com). Page dated May 9, 2018.  
Retrieved from URL: [https://www.core77.com/posts/77587/A-Desk-  
Designed-with-a-Transparent-Top-for-Crafters](https://www.core77.com/posts/77587/A-Desk-Designed-with-a-Transparent-Top-for-Crafters) (Year: 2018).\*

\* cited by examiner

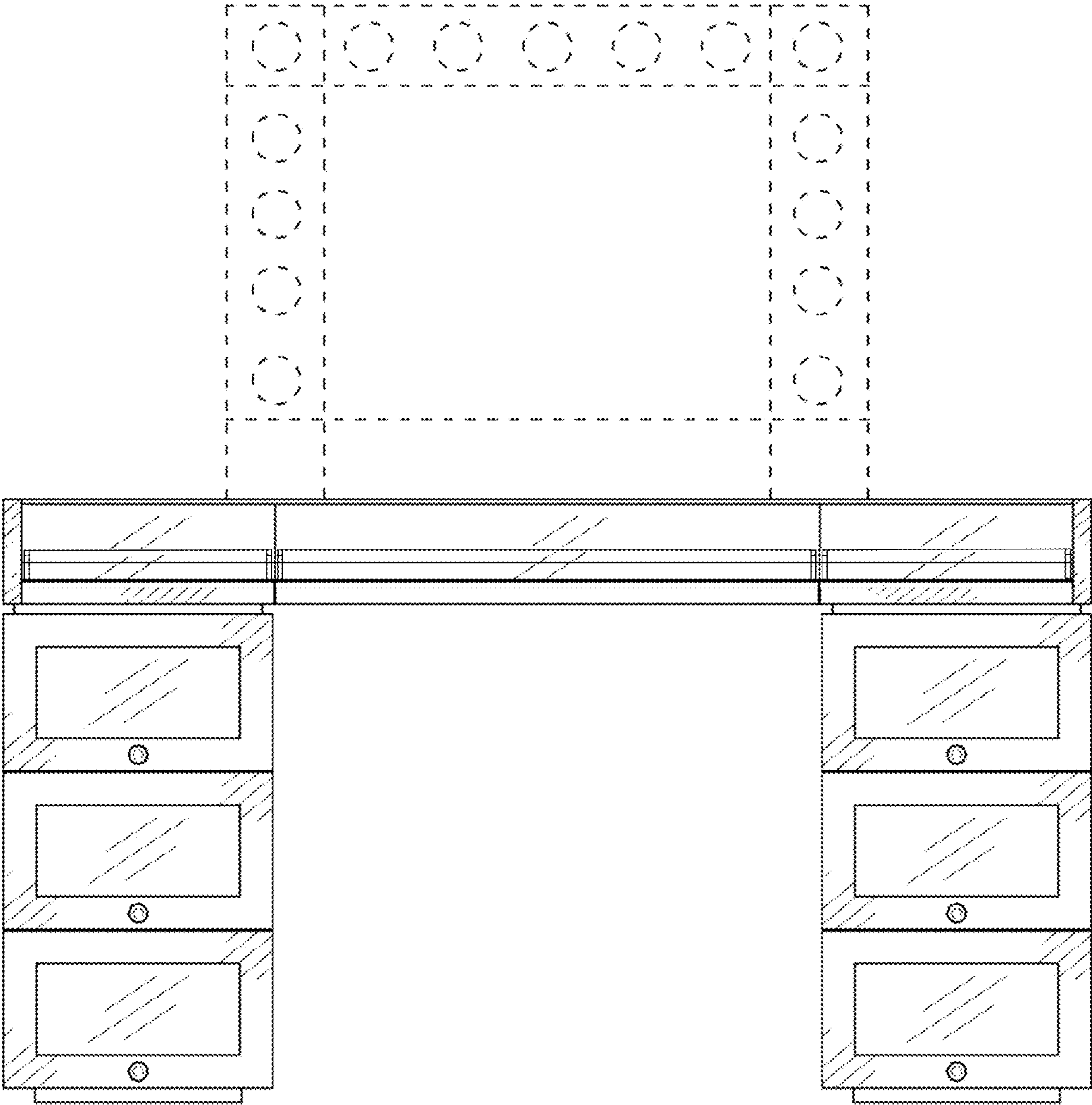


FIG. 1

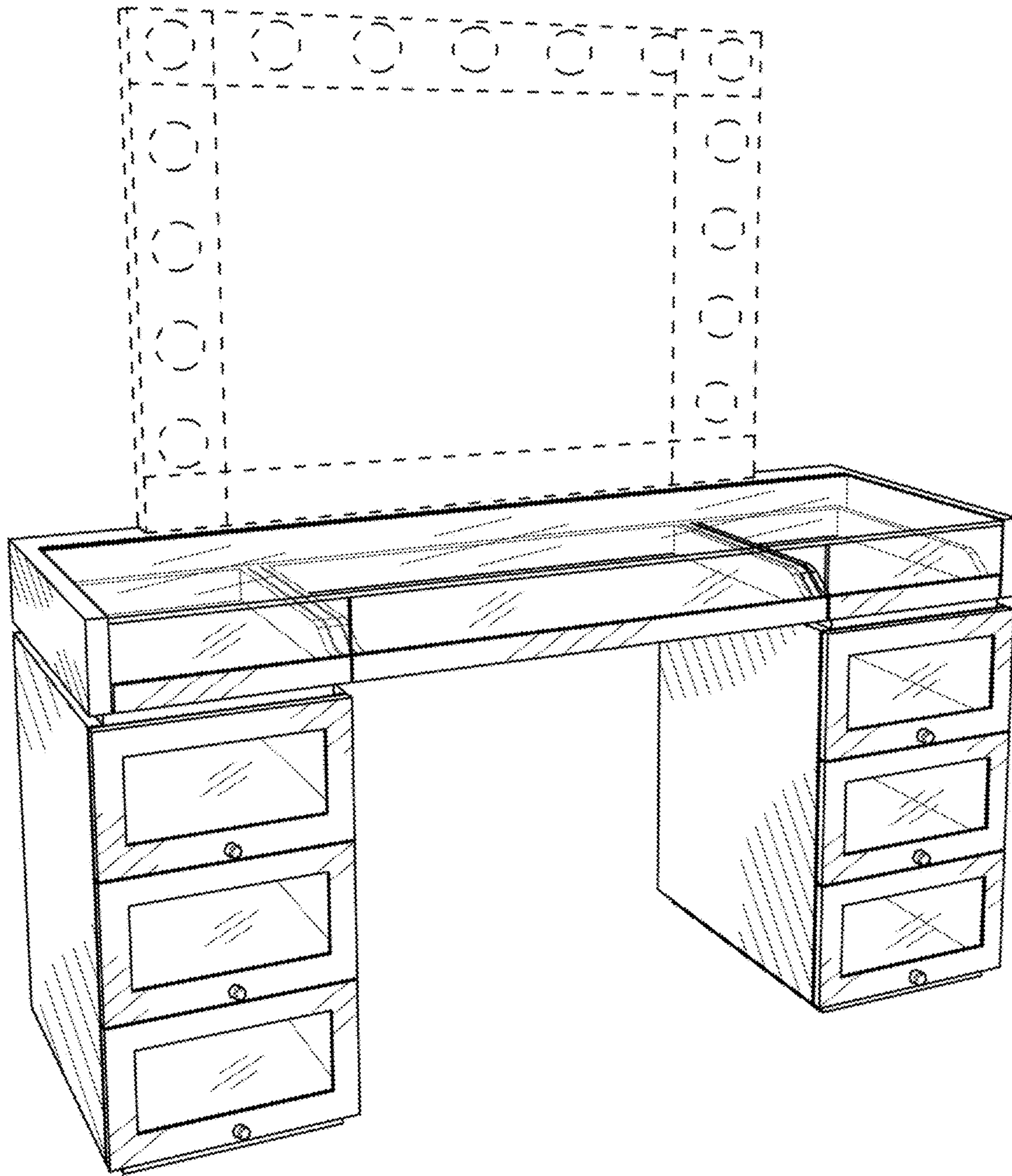


FIG. 2

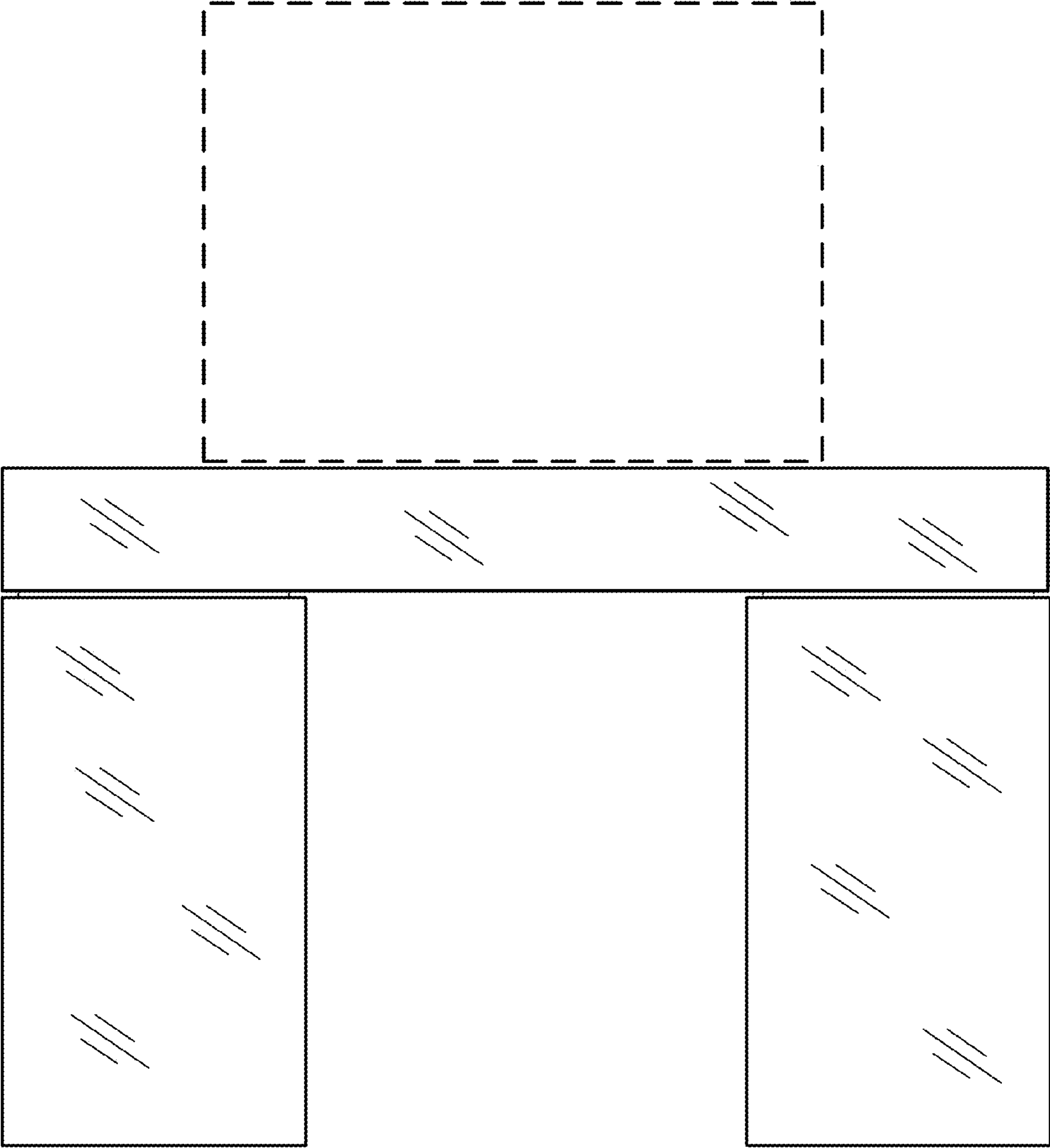
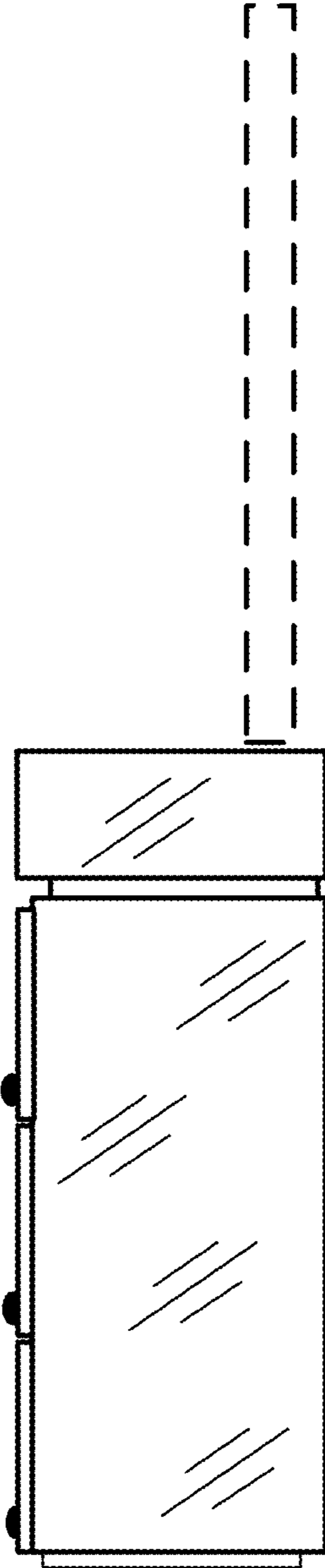
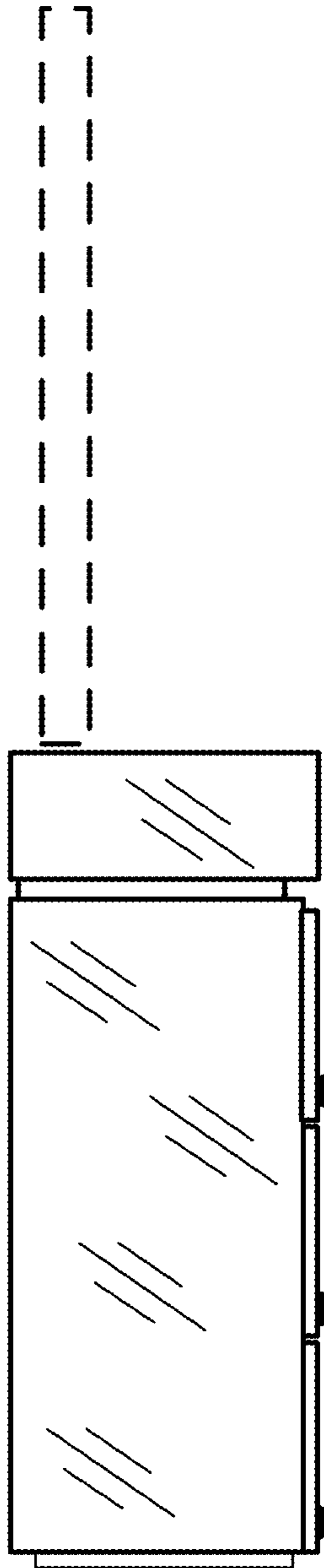


FIG. 3



**FIG. 4**



**FIG. 5**

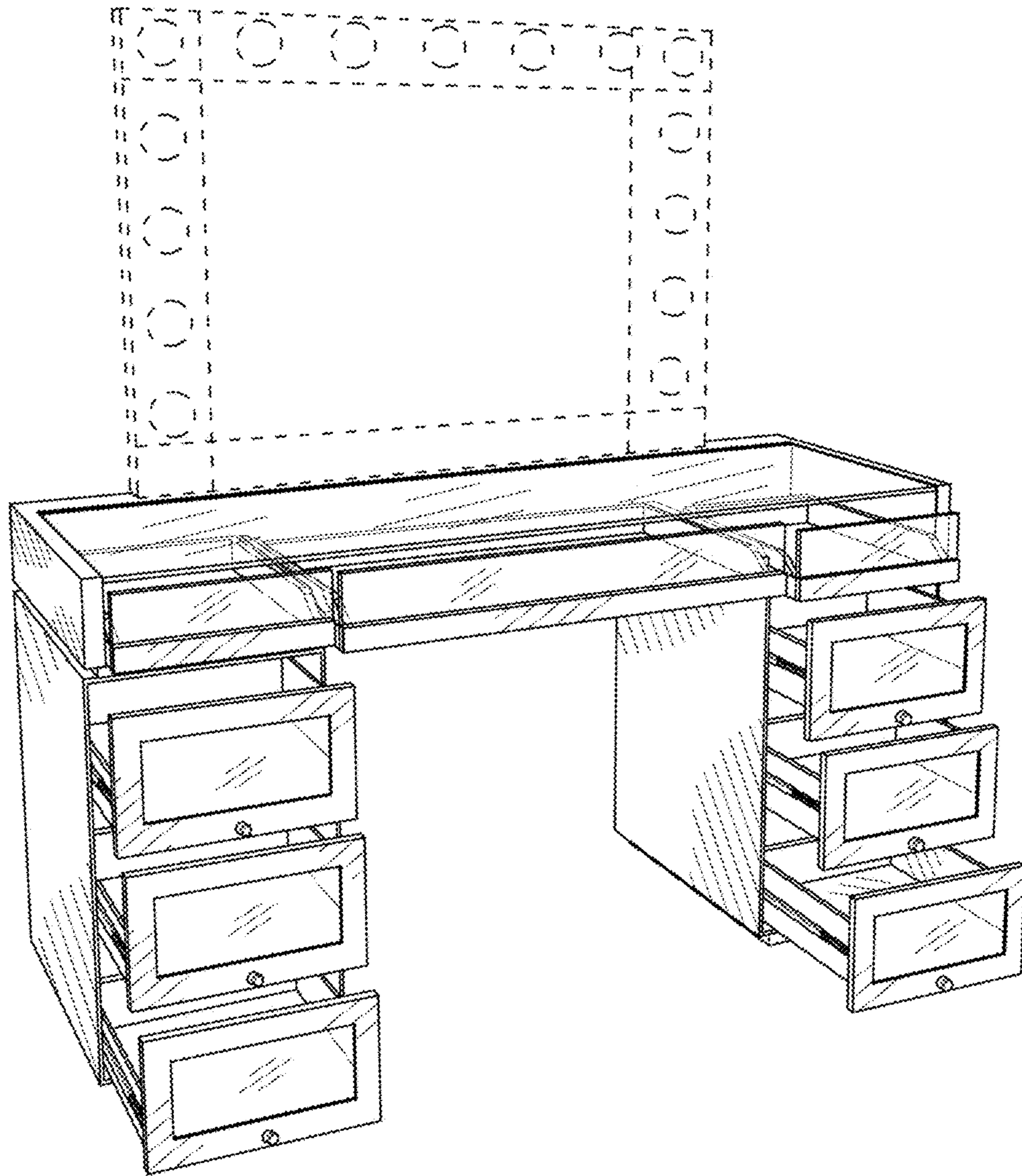


FIG. 6