



US00D907406S

(12) **United States Design Patent** (10) **Patent No.:** **US D907,406 S**  
**Udagawa et al.** (45) **Date of Patent:** **\*\* Jan. 12, 2021**

(54) **WORKSTATION**

- (71) Applicant: **KNOLL, INC.**, East Greenville, PA (US)
- (72) Inventors: **Masamichi Udagawa**, New York, NY (US); **Sigrid Moeslinger**, New York, NY (US)
- (73) Assignee: **Knoll, Inc.**, East Greenville, PA (US)
- (\*\*) Term: **15 Years**
- (21) Appl. No.: **29/721,925**
- (22) Filed: **Jan. 24, 2020**

**Related U.S. Application Data**

- (62) Division of application No. 29/650,223, filed on Jun. 5, 2018, now Pat. No. Des. 878,812.
- (51) **LOC (13) Cl.** ..... **06-03**
- (52) **U.S. Cl.**  
USPC ..... **D6/643**
- (58) **Field of Classification Search**  
USPC ..... D6/640, 641, 642, 643, 643.1, 644, 645, D6/648, 648.1, 648.3, 648.4, 649, 650, D6/651, 652, 655, 655.1, 655.11, 655.12, D6/655.13, 655.14, 655.15, 655.16, 656, D6/656.1, 656.11, 656.16, 656.17, 656.18, D6/656.19, 668, 685, 688.11, 688.21, D6/688.27, 690, 695, 698, 691, 691.6, D6/696.1, 700, 707, 707.19, 707.24, D6/707.26, 708.21, 708.23, 709.22  
CPC .... A47B 9/00; A47B 9/04; A47B 9/06; A47B 3/08; A47B 21/00; A47B 21/02; A47B 21/06; A47B 21/007; A47B 21/0314; A47B 2009/185; A47B 2200/0013; A47B 2200/0026; A47B 2200/0085; A47B 2200/0087

See application file for complete search history.

(56) **References Cited**

U.S. PATENT DOCUMENTS

D200,649 S	3/1965	Johnson et al.	
D210,134 S	2/1968	Chrstensen et al.	
D216,991 S	3/1970	Glanfagna et al.	
3,931,771 A	1/1976	Kramer	
D330,641 S	11/1992	Zapf	
D762,876 S	8/2016	Karashima	
D791,512 S	7/2017	Bouroullec et al.	
D793,749 S	8/2017	Kitajima	
D793,750 S	8/2017	Kitajima	
D824,195 S *	7/2018	Ezure .....	D6/714
D843,136 S *	3/2019	Ezure .....	D6/643
D853,758 S	7/2019	Prontera et al.	
D861,379 S *	10/2019	Citterio .....	D6/643

(Continued)

*Primary Examiner* — Mary Ann Calabrese

*Assistant Examiner* — Catherine Ho

(74) *Attorney, Agent, or Firm* — Buchanan Ingersoll & Rooney PC

(57) **CLAIM**

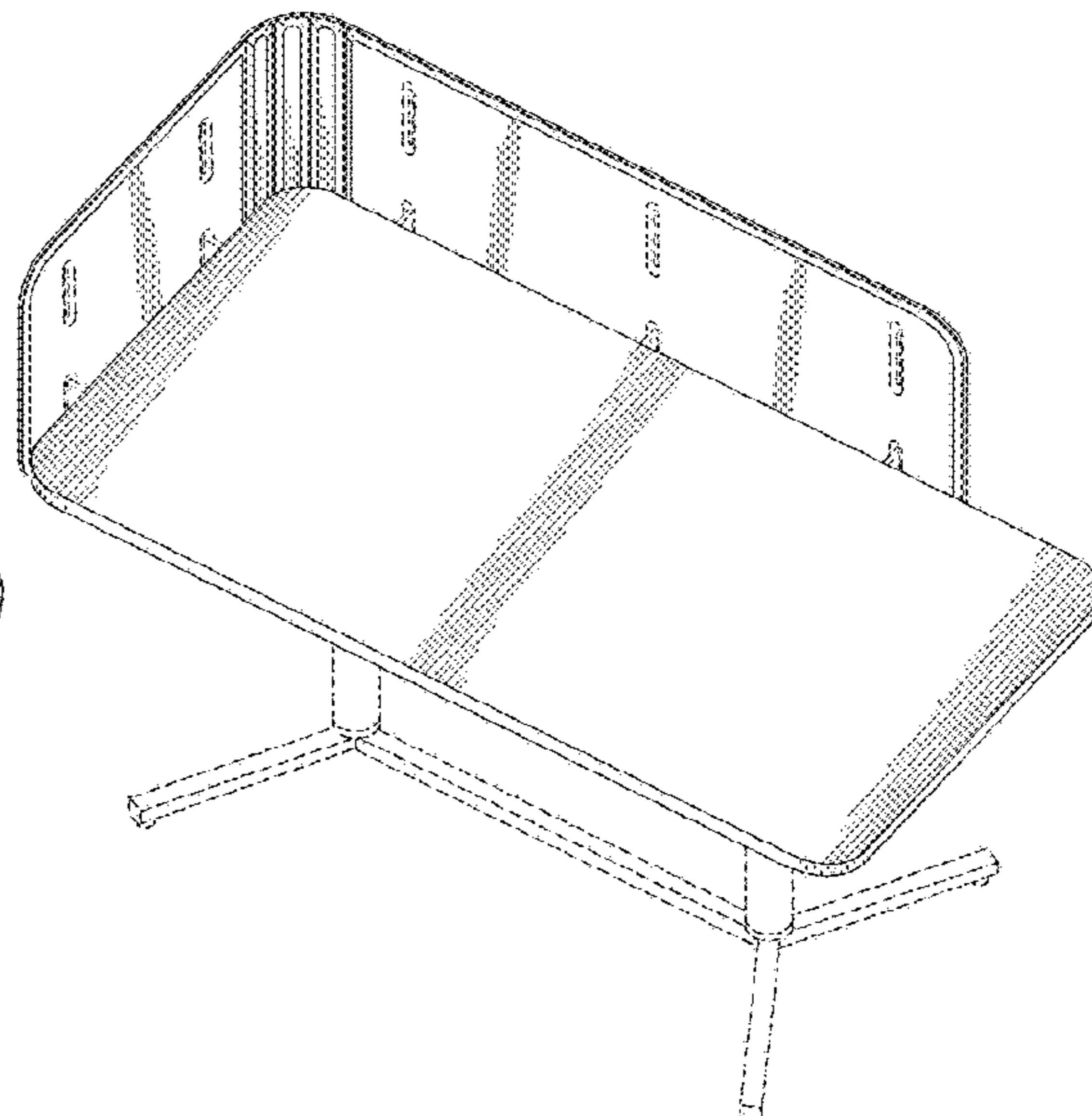
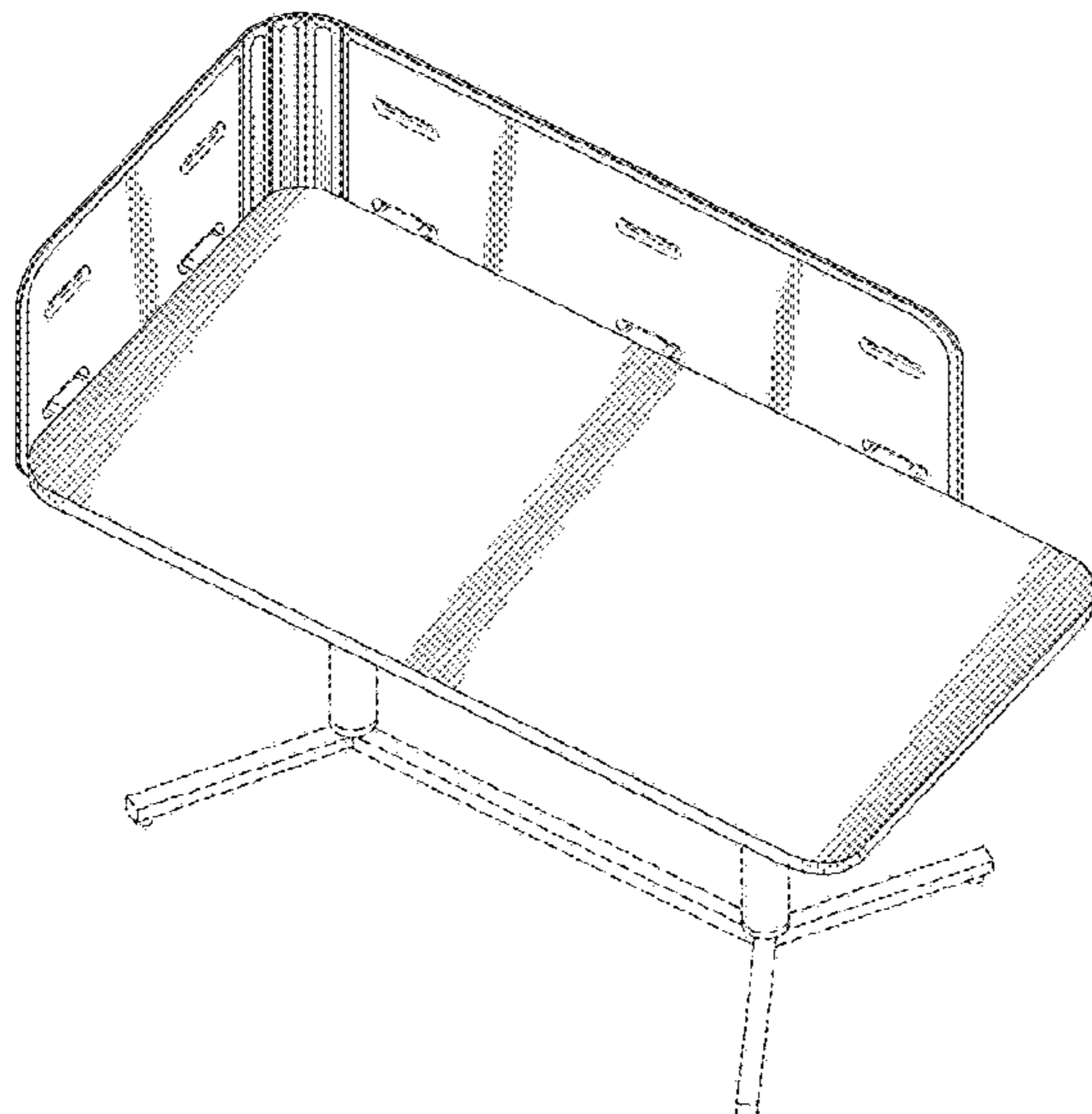
The ornamental design for a workstation, as shown and described.

**DESCRIPTION**

FIG. 1 is a perspective view of a workstation showing our new design;  
 FIG. 2 is a front elevation view thereof;  
 FIG. 3 is a rear elevation view thereof;  
 FIG. 4 is a top plan view thereof;  
 FIG. 5 is a bottom plan view thereof;  
 FIG. 6 is a left side elevation view thereof;  
 FIG. 7 is a right side elevation view thereof; and,  
 FIG. 8 is a perspective view of the second embodiment of a workstation.

The broken lines shown in the drawing Figures illustrate portions of the workstation that form no part of the claimed design.

**1 Claim, 8 Drawing Sheets**



(56)

**References Cited**

U.S. PATENT DOCUMENTS

D861,380 S \* 10/2019 Citterio ..... D6/643  
D863,832 S \* 10/2019 Citterio ..... D6/643  
D863,833 S \* 10/2019 Moore ..... D6/648  
D877,541 S \* 3/2020 Yamamoto ..... D6/643  
D878,812 S \* 3/2020 Udagawa ..... D6/643  
2005/0236173 A1\* 10/2005 VanderVelde ..... H02G 3/288  
174/500  
2012/0305203 A1 12/2012 Verbeek et al.  
2018/0055229 A1\* 3/2018 Game ..... A47B 96/205  
2019/0223590 A1\* 7/2019 Moore ..... A47B 9/00  
2019/0365101 A1\* 12/2019 Udagawa ..... A47B 21/00

\* cited by examiner

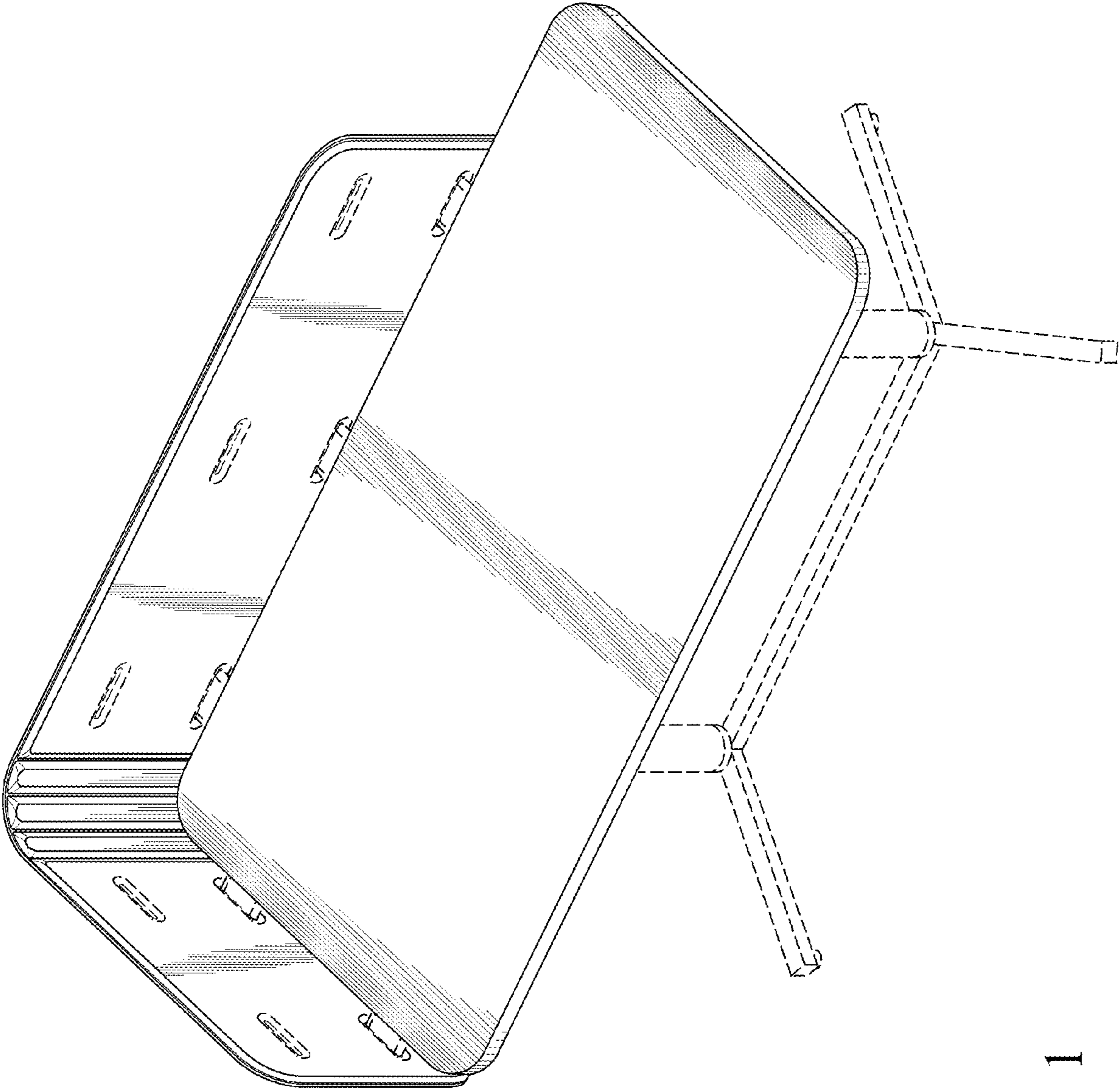


FIG. 1

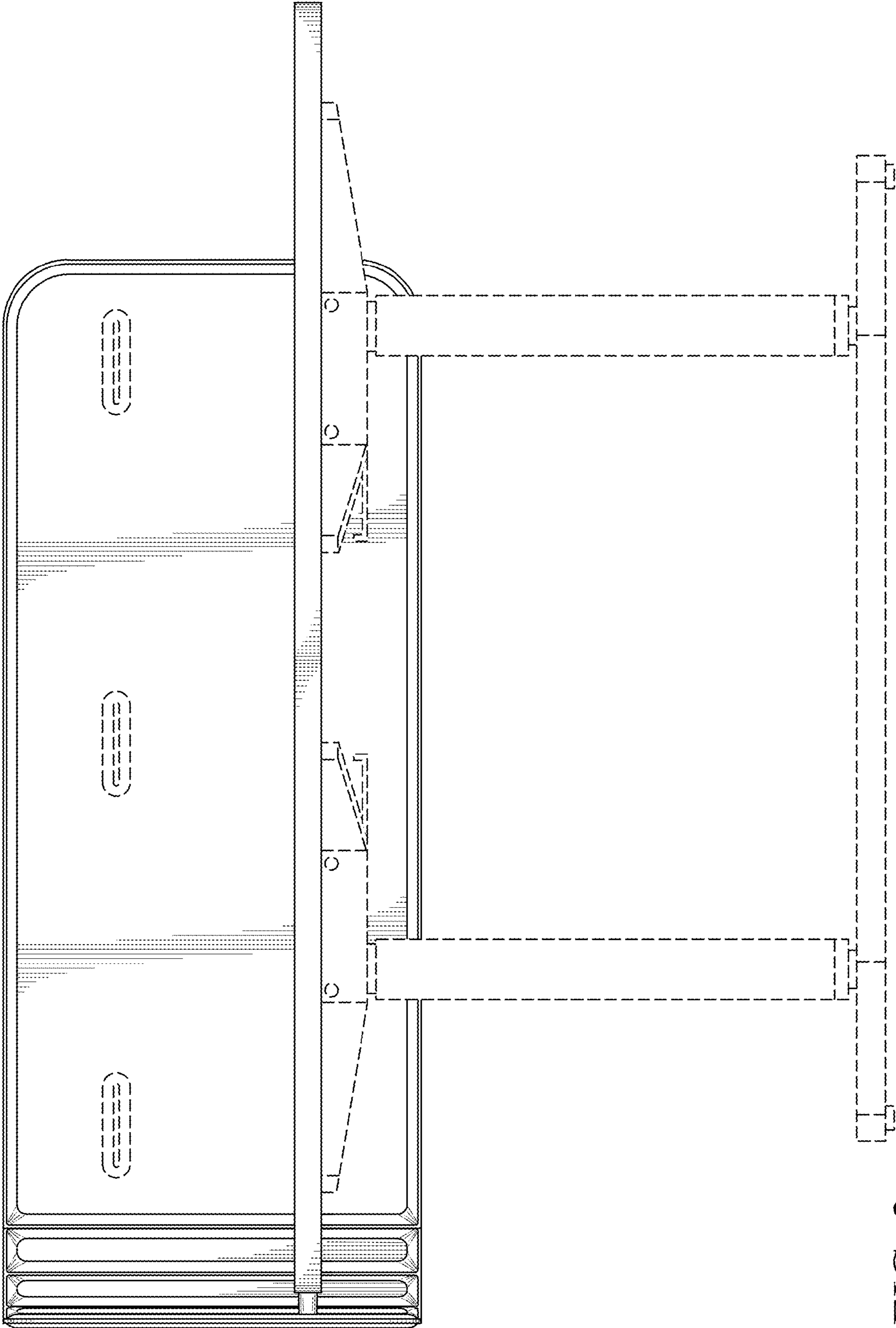


FIG. 2



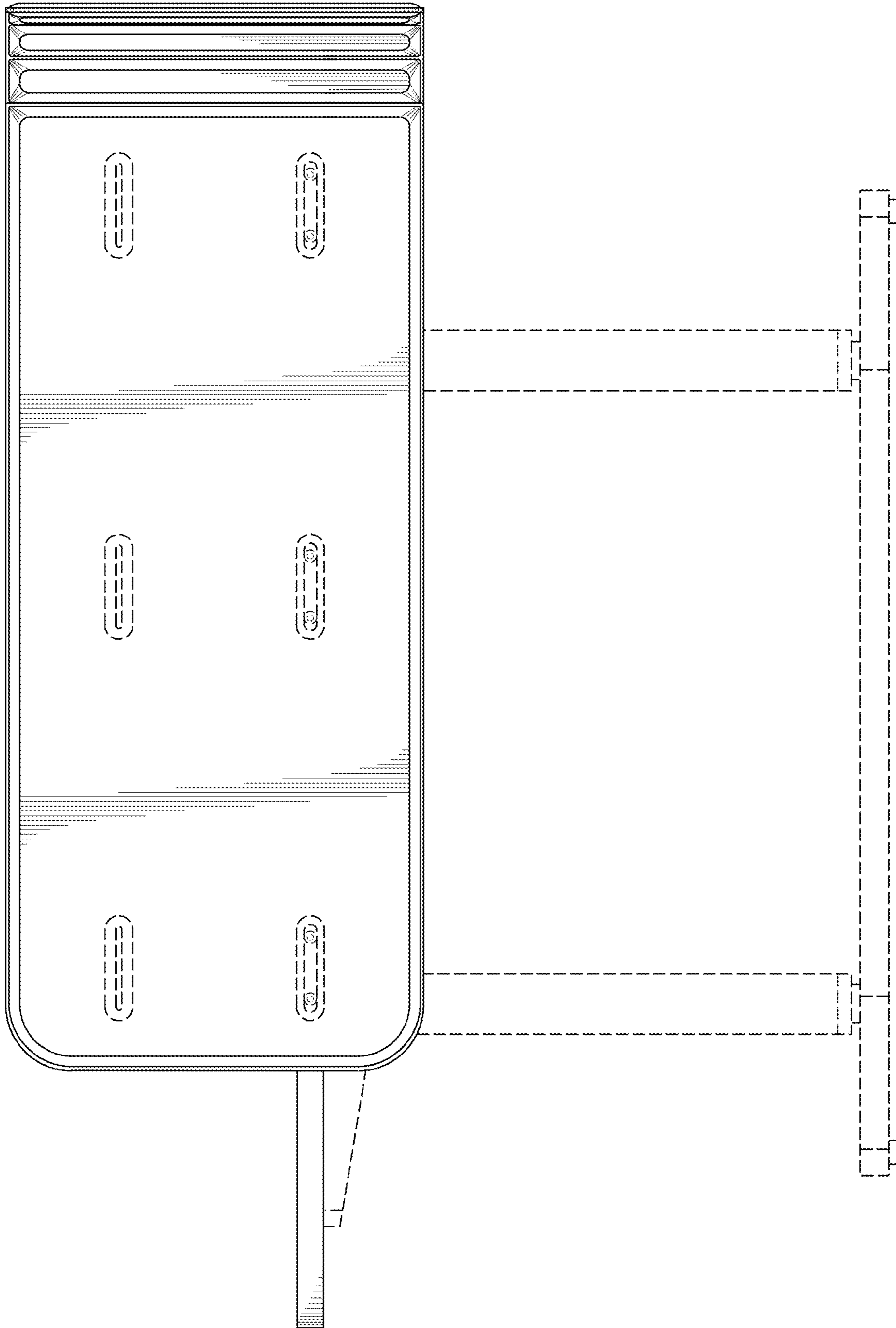


FIG. 3

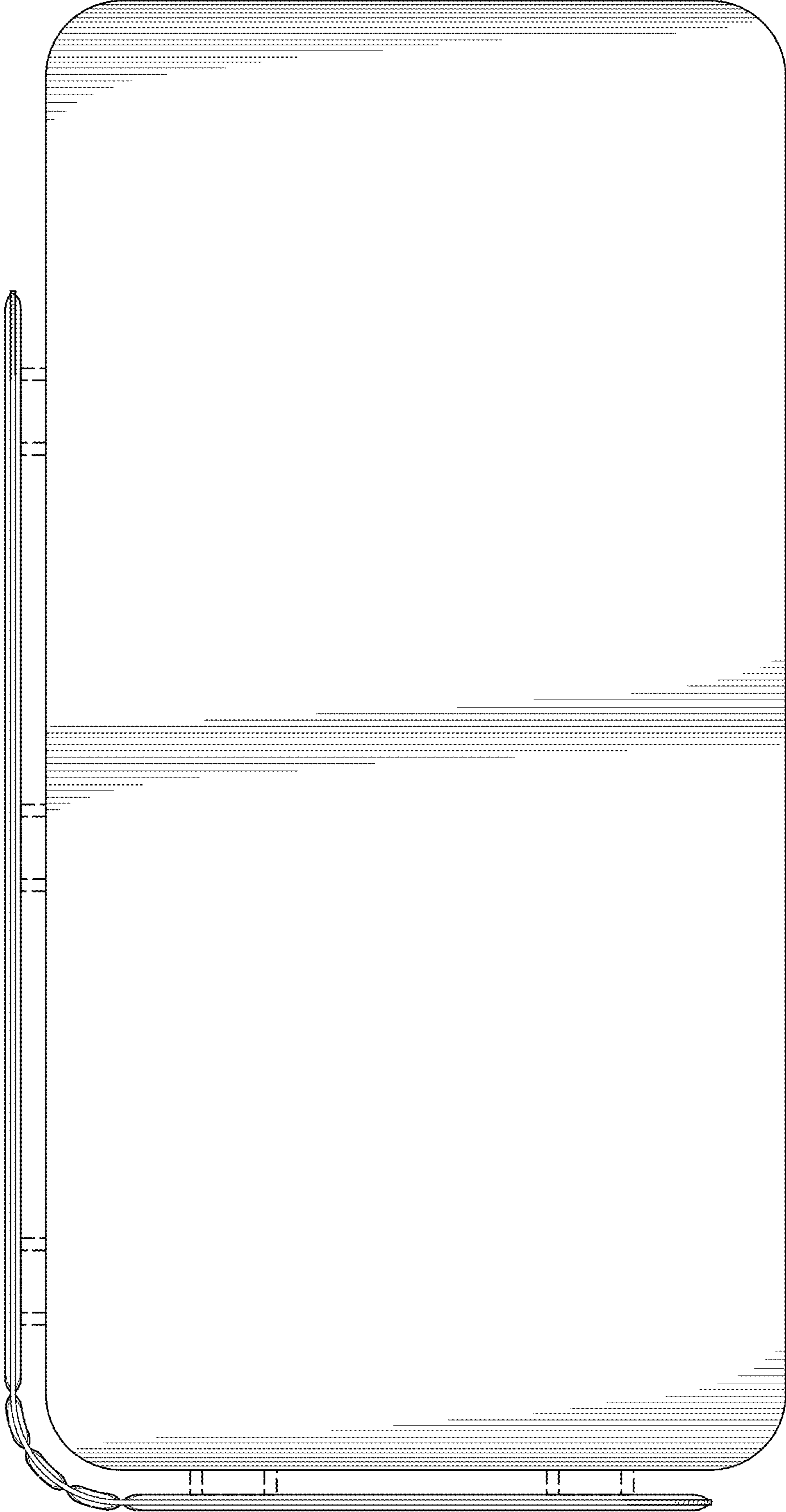


FIG. 4

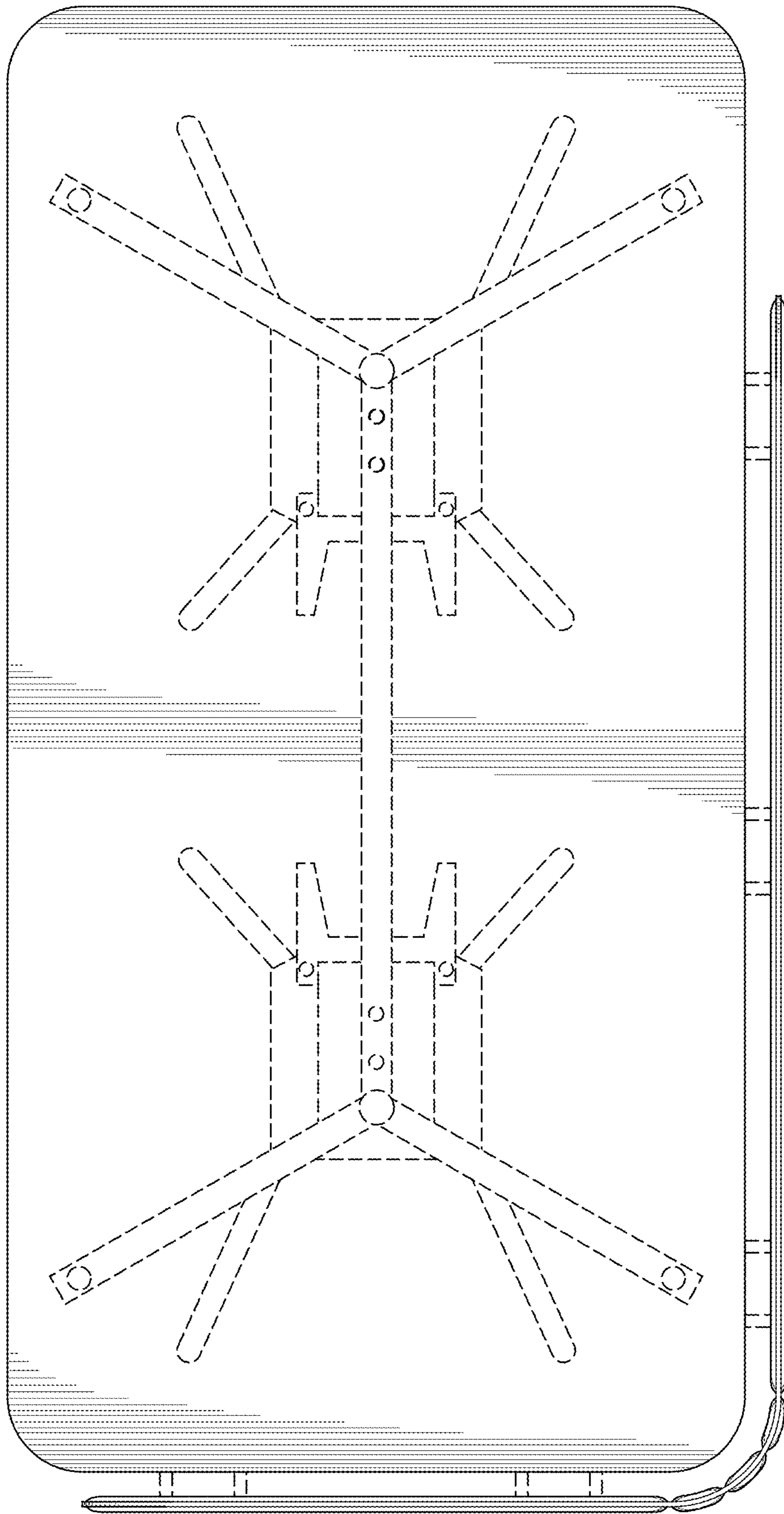


FIG. 5

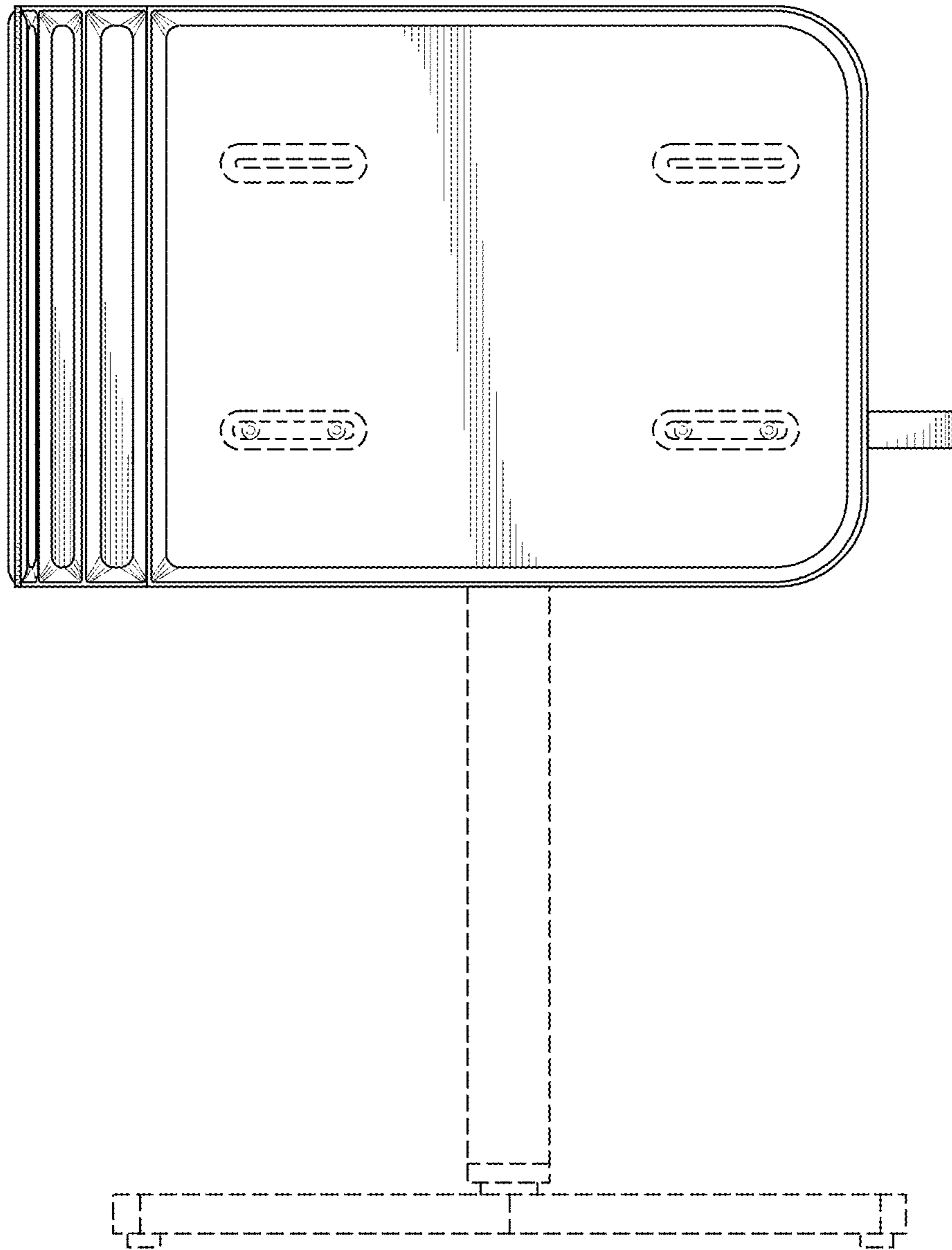


FIG. 6



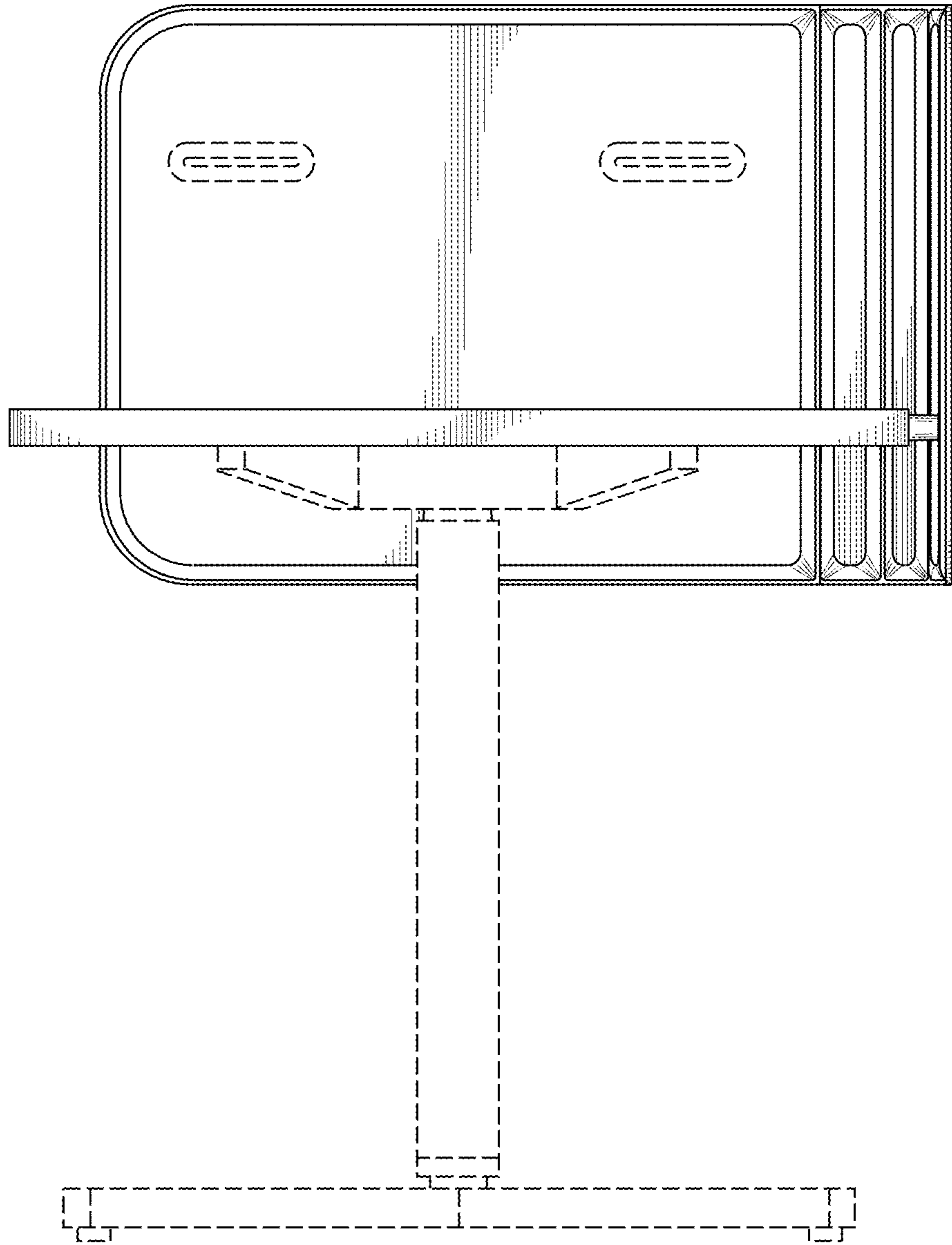


FIG. 7

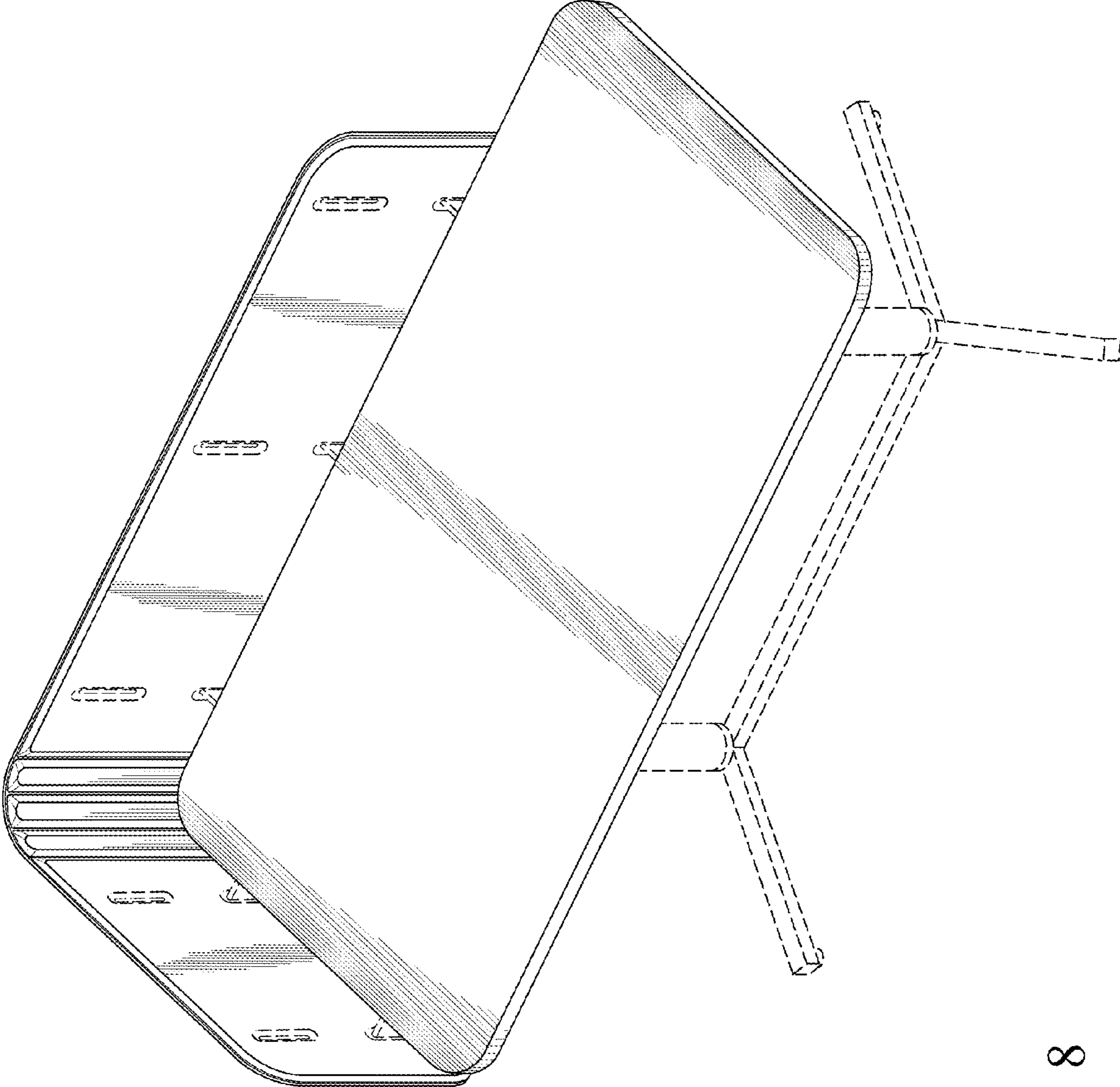


FIG. 8