



US00D907404S

(12) **United States Design Patent** (10) **Patent No.:** **US D907,404 S**
Whelley McCabe (45) **Date of Patent:** **** Jan. 12, 2021**

(54) **EVAPORATOR COVER**
(71) Applicant: **Vermont Evaporator Company, LLC**,
Montpelier, VT (US)
(72) Inventor: **Kathleen M Whelley McCabe**,
Montpelier, VT (US)
(73) Assignee: **Vermont Evaporator Company, LLC**,
Montpelier, VT (US)
(**) Term: **15 Years**
(21) Appl. No.: **29/661,520**
(22) Filed: **Aug. 28, 2018**
(51) **LOC (13) Cl.** **06-13**
(52) **U.S. Cl.**
USPC **D6/610**
(58) **Field of Classification Search**
USPC D6/610, 611, 616; D9/414, 418, 423,
D9/427, 432; D24/164
CPC A47J 33/00; A47J 36/00; A47J 37/0786;
F24B 3/00
See application file for complete search history.

D861,871 S * 10/2019 Sinha D24/164
D862,701 S * 10/2019 Sinha D24/164
D867,789 S * 11/2019 Fu D6/610

OTHER PUBLICATIONS

Sapling Grill Cover [online], [site visited May 4, 2020]. Available from internet, URL: <<https://vermontevaporator.com/product/sapling-grill-cover/>> (Year: 2020).*

Vermont Evaporator Co. facebook post, announced Jan. 12, 2018 [online], [site visited May 4, 2020]. Available from internet, URL: <<https://www.facebook.com/vermontevaporatorcompany/photos/a.1702241153362961/2019104018343338/?type=3&theater>> (Year: 2018).*

Vermont Evaporator Co. facebook post, announced Aug. 31, 2017 [online], [site visited May 4, 2020]. Available from internet, URL: <<https://www.facebook.com/vermontevaporatorcompany/photos/a.1702241153362961/1959742167612857/?type=3&theater>> (Year: 2017).*

* cited by examiner

Primary Examiner — Cynthia Ramirez
Assistant Examiner — Xavier Marti-Santos
(74) *Attorney, Agent, or Firm* — Justin W. McCabe

(56) **References Cited**

U.S. PATENT DOCUMENTS

D231,787 S * 6/1974 Burnley D30/107
4,890,772 A * 1/1990 Heuberger B65D 5/746
222/156
D331,683 S * 12/1992 Koester D30/108
D466,752 S * 12/2002 Rowe D6/610
6,506,471 B2 * 1/2003 Doppelt A62C 8/06
150/165
6,863,100 B2 * 3/2005 Neal A47J 37/0786
150/154
D616,742 S * 6/2010 Lymn D9/432
D617,635 S * 6/2010 Gould D9/431
7,866,358 B1 * 1/2011 Simms, II A47J 37/0786
126/201
D819,368 S * 6/2018 Zemel D6/610

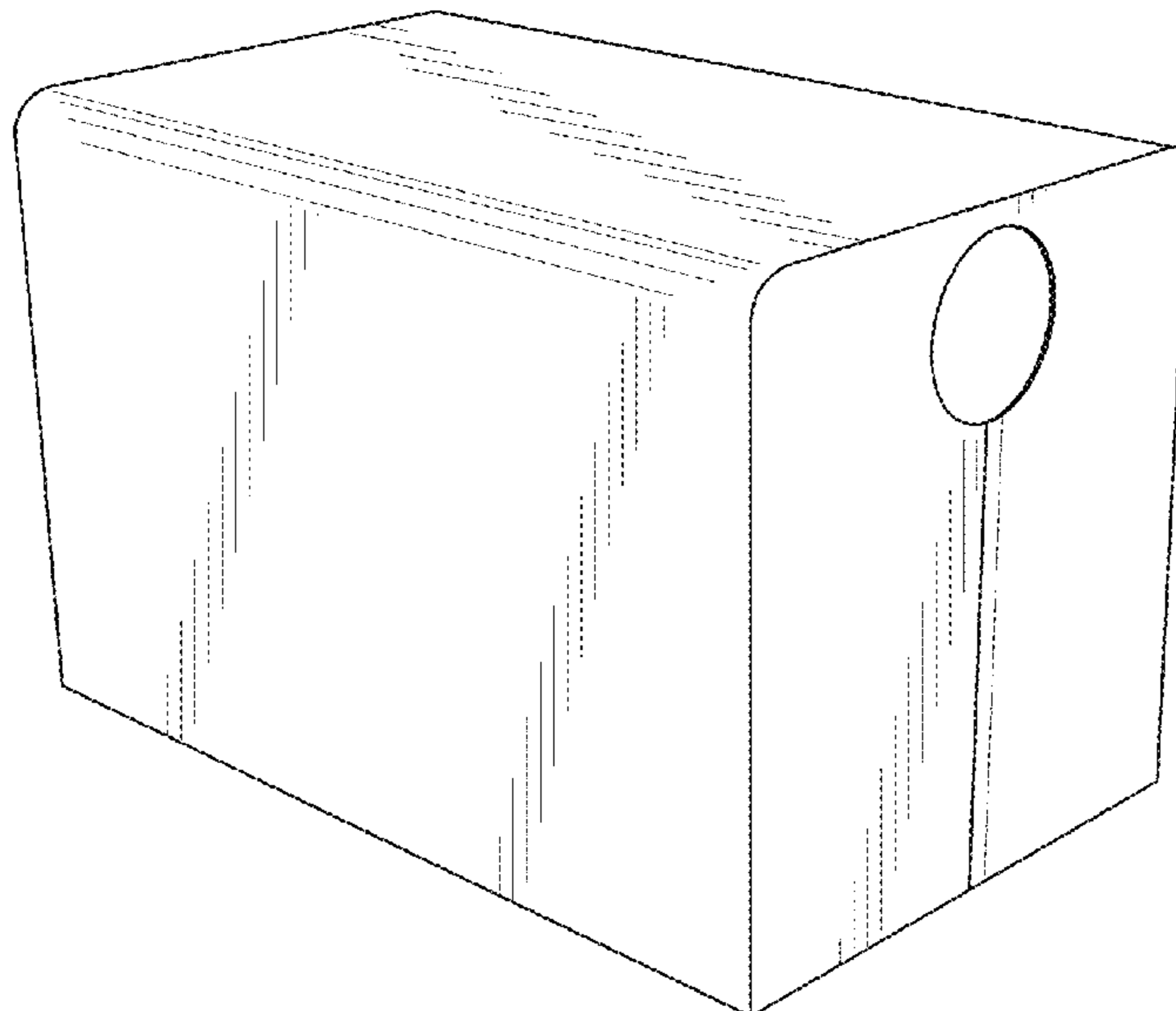
(57) **CLAIM**

The ornamental design for an evaporator cover, as shown and described.

DESCRIPTION

FIG. 1 is a perspective view of an evaporator cover showing my new design;
FIG. 2 is a front view thereof;
FIG. 3 is a rear view thereof;
FIG. 4 is a left side view thereof;
FIG. 5 is a right side view thereof;
FIG. 6 is a top plan view thereof; and,
FIG. 7 is a bottom plan view thereof.

1 Claim, 7 Drawing Sheets



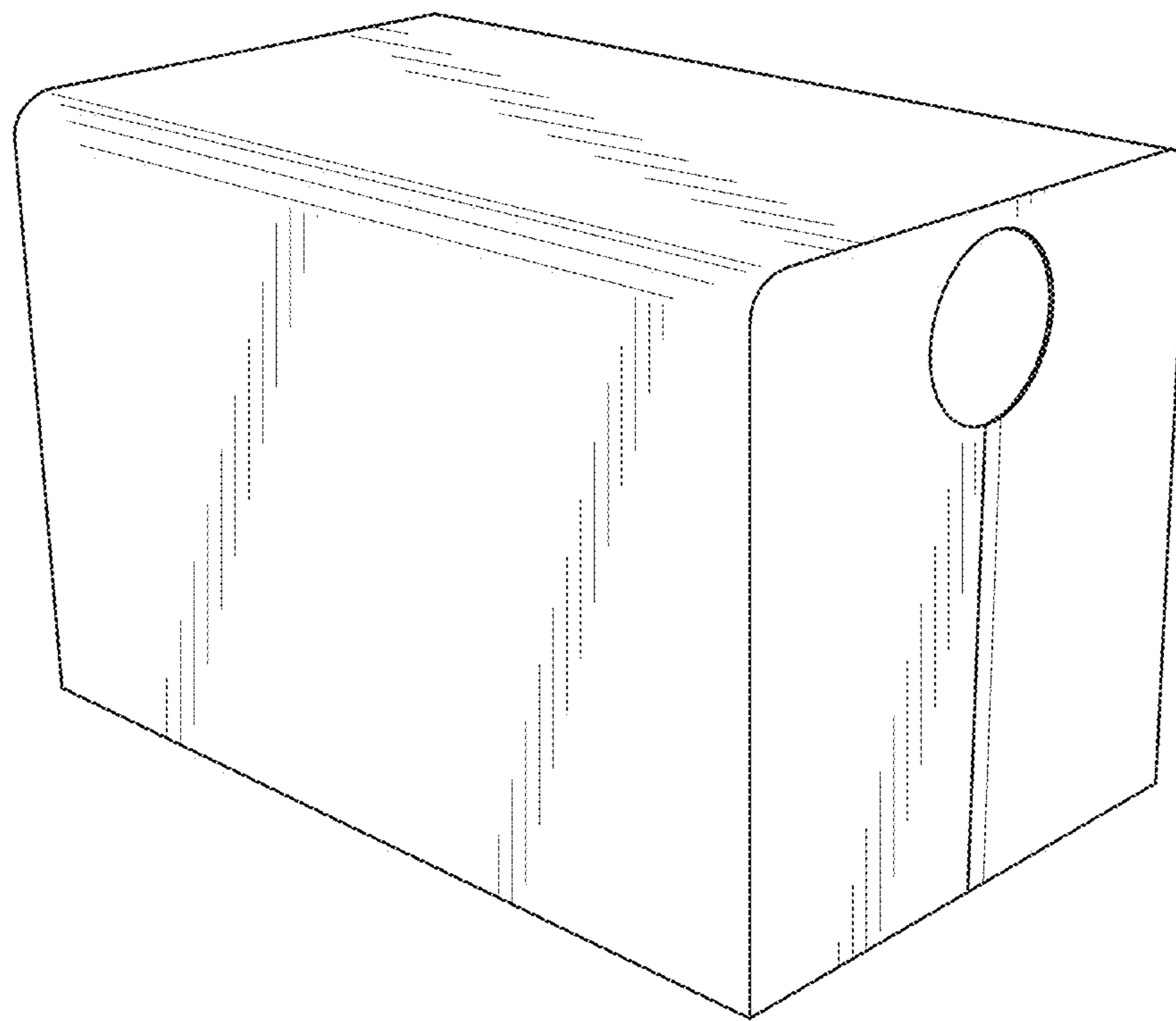


FIG. 1

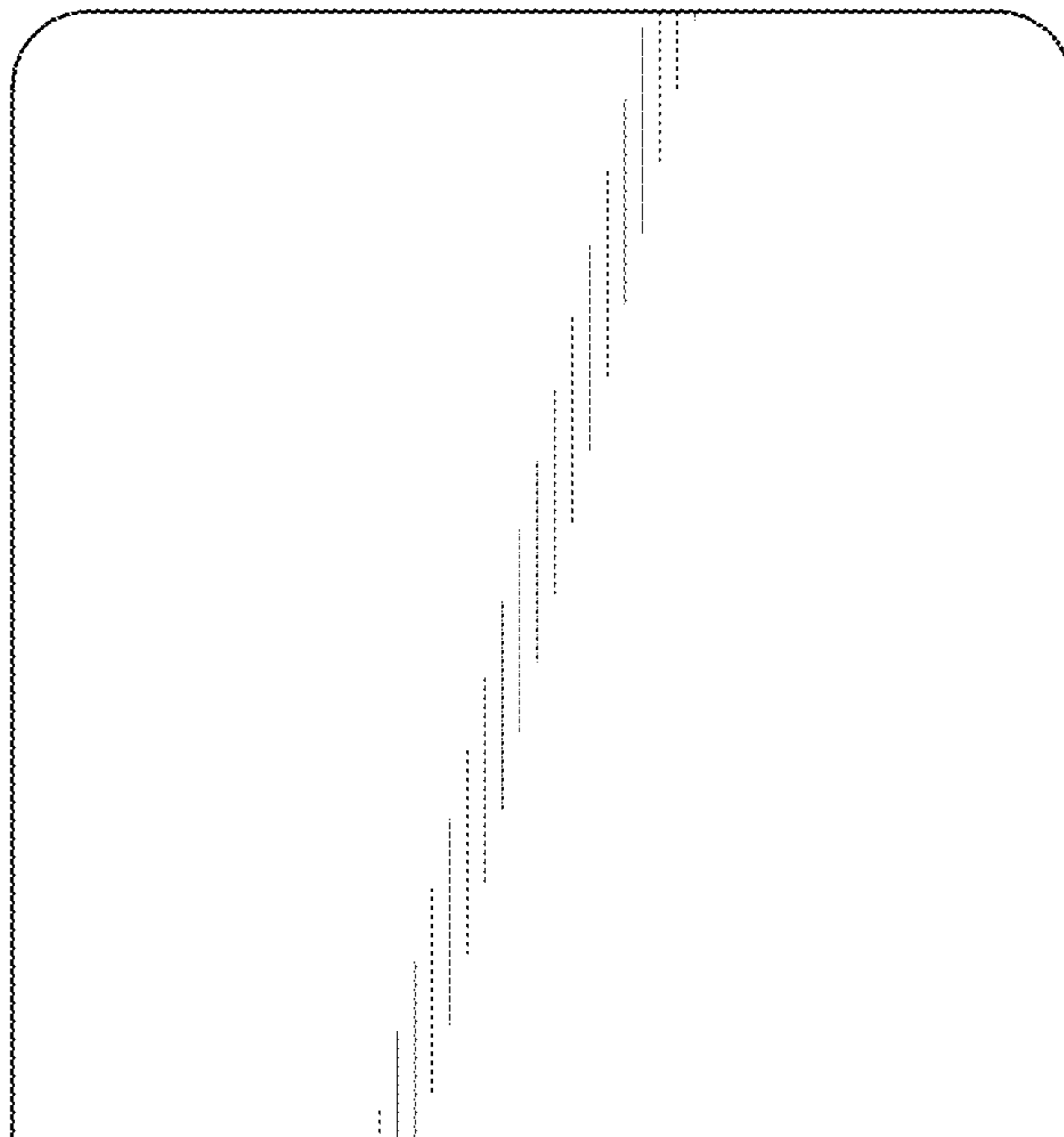


FIG. 2

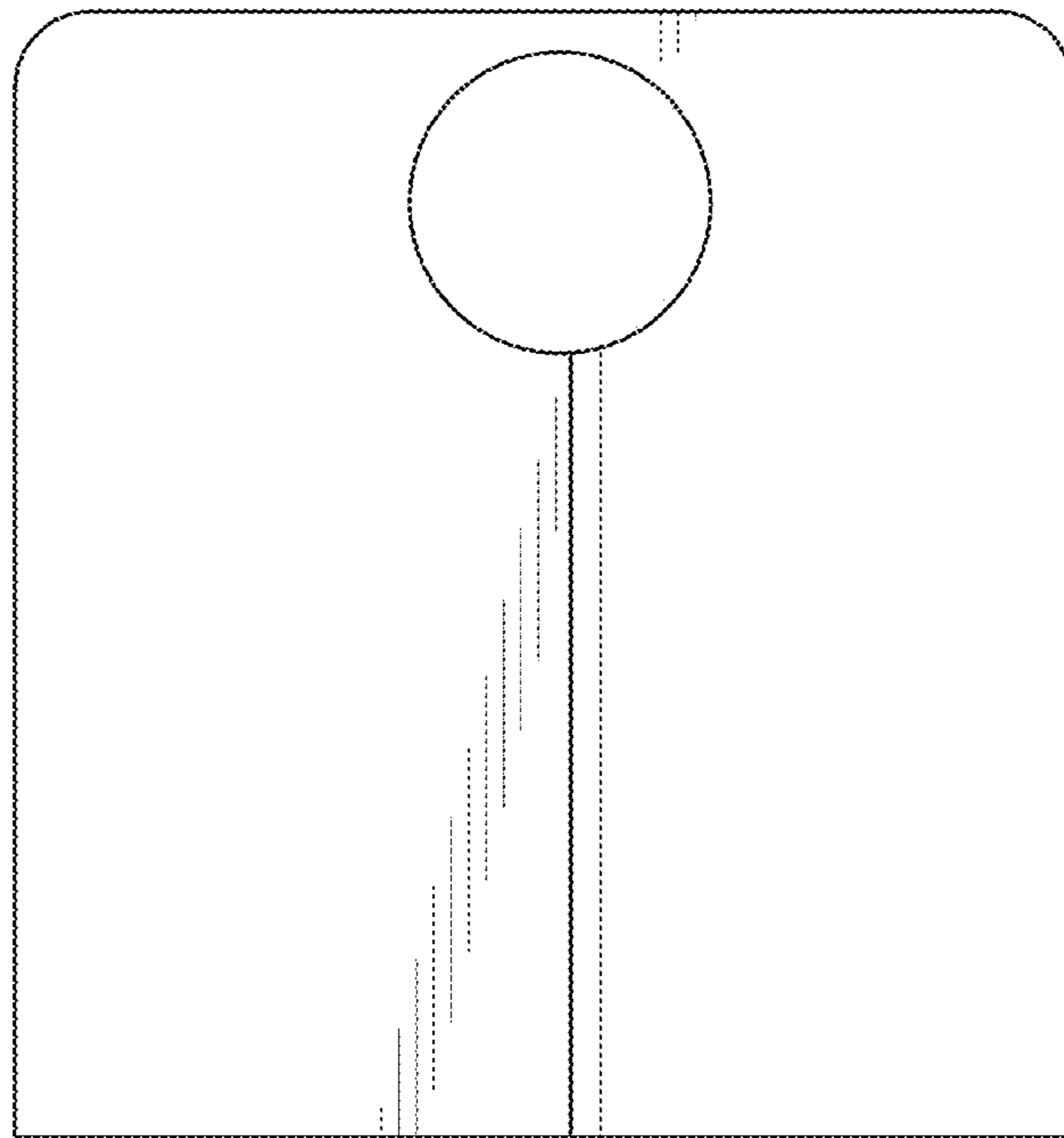


FIG. 3



FIG. 4

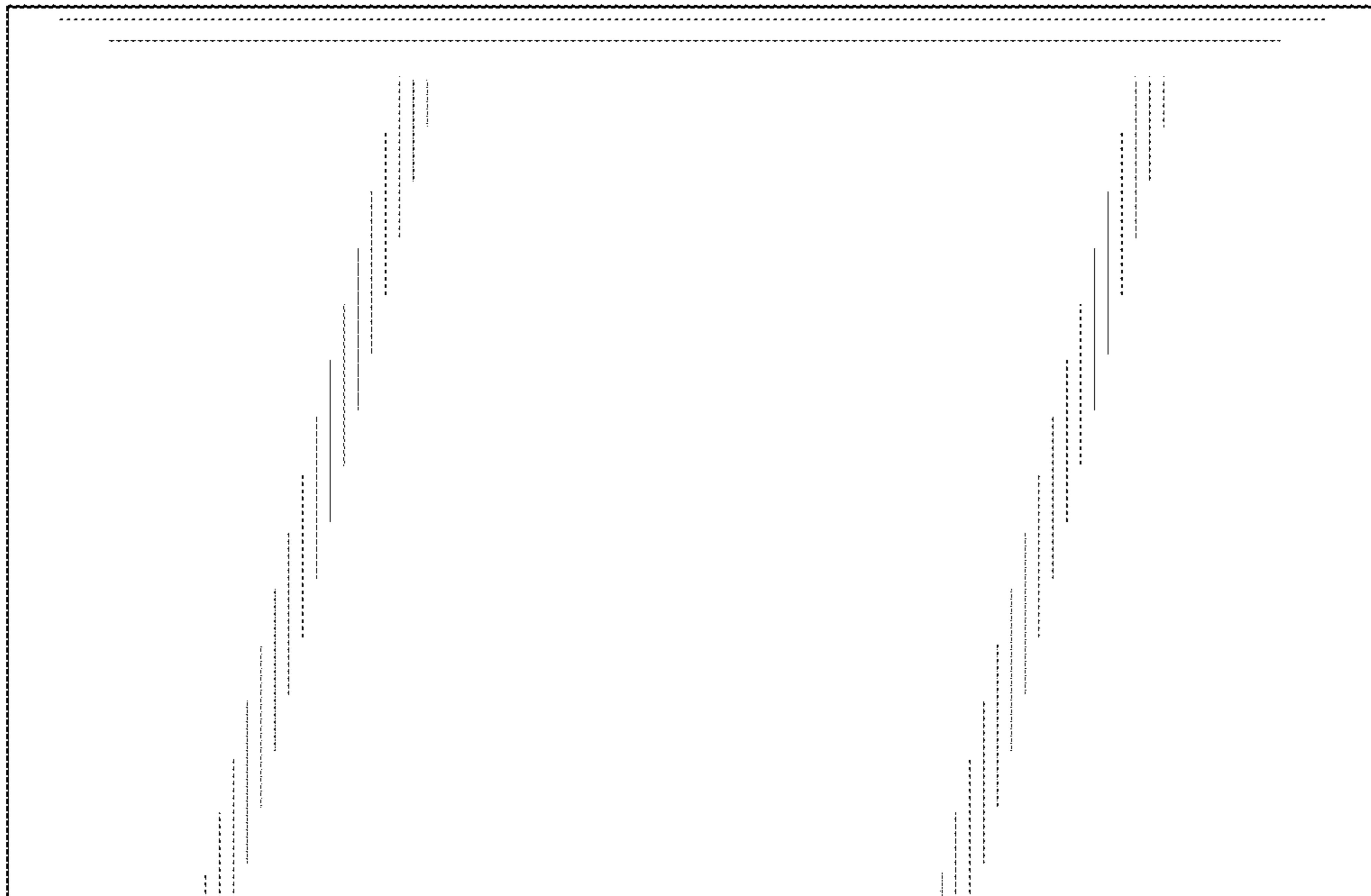


FIG. 5

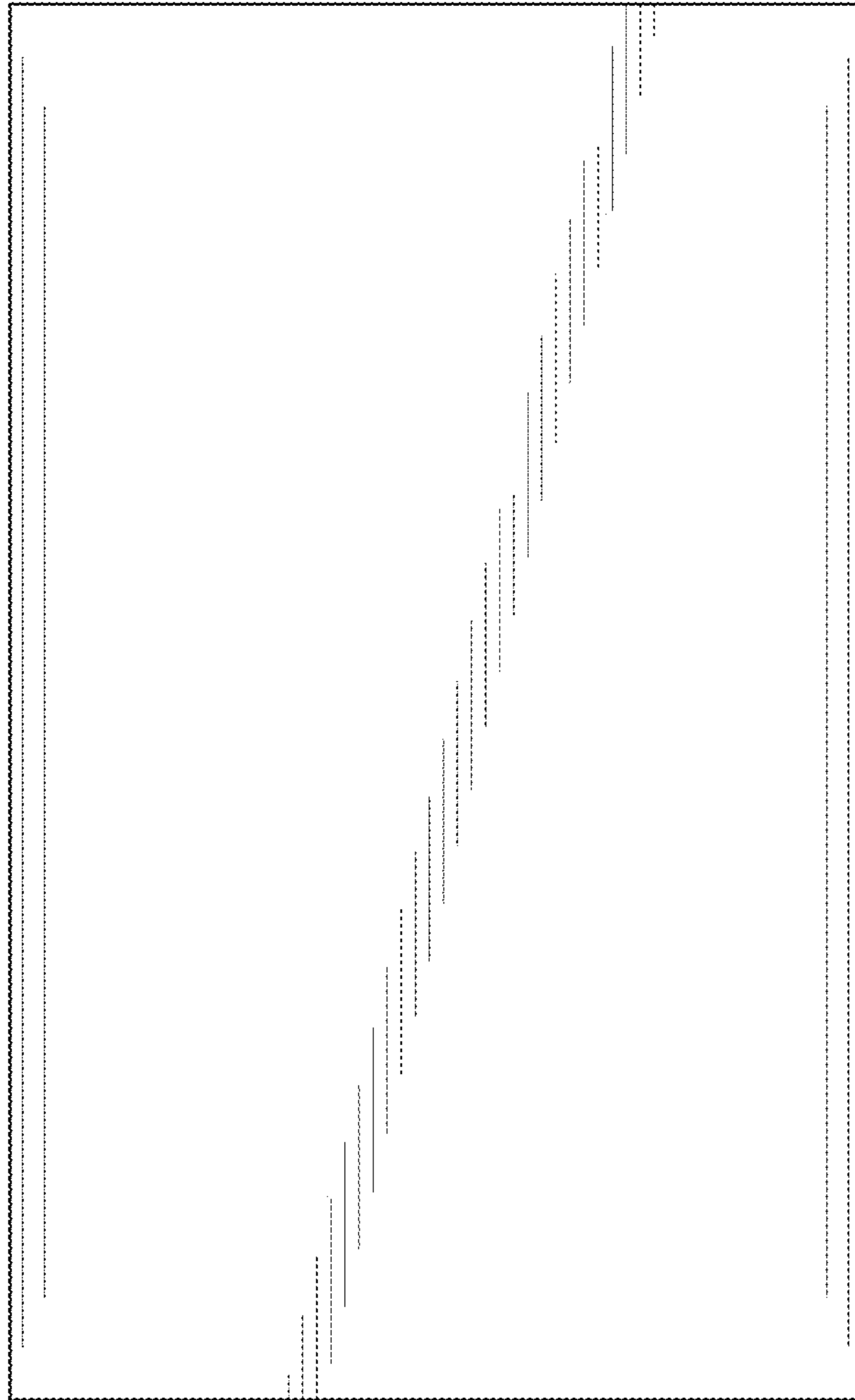


FIG. 6

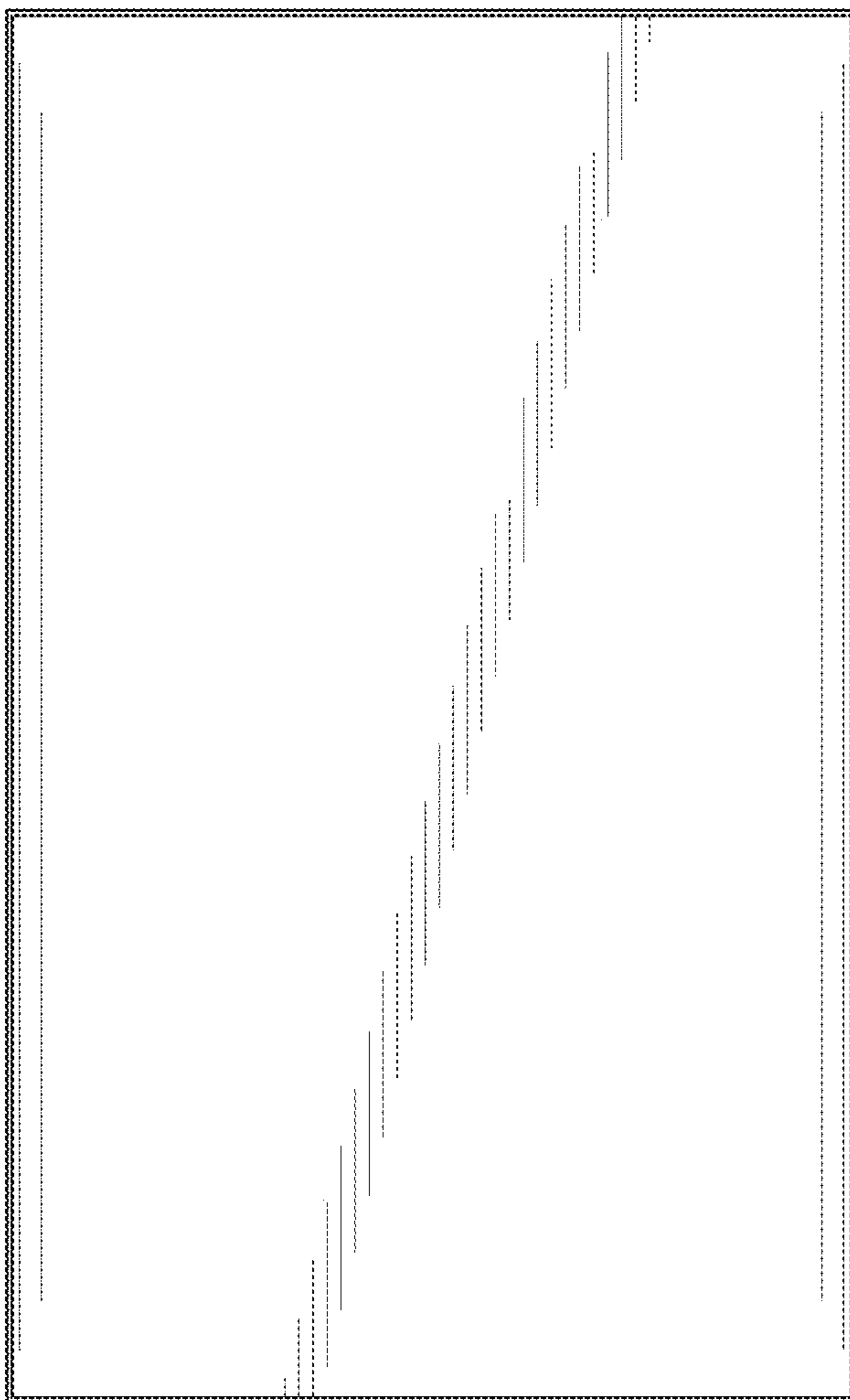


FIG. 7