



US00D907402S

(12) **United States Design Patent**
Reusche et al.

(10) **Patent No.:** **US D907,402 S**

(45) **Date of Patent:** **** Jan. 12, 2021**

(54) **MATTRESS**

(71) Applicant: **SERTA, INC.**, Doraville, GA (US)

(72) Inventors: **Jacqueline Reusche**, Doraville, GA (US); **Matt Whitmer**, Doraville, GA (US)

(73) Assignee: **SERTA, INC.**, Doraville, GA (US)

(**) Term: **15 Years**

(21) Appl. No.: **29/699,591**

(22) Filed: **Jul. 26, 2019**

(51) **LOC (13) Cl.** **06-09**

(52) **U.S. Cl.**
USPC **D6/605**

(58) **Field of Classification Search**
USPC D6/582–583, 587–592, 595–609, D6/617–622; D21/803–809; D24/183
CPC A47G 9/00; A47G 2009/001; A47G 2009/002; A47G 2009/003; A47G 2009/005; A47G 2009/006; A47G 9/02; A47G 9/0207; A47G 9/0215; A47G 9/0223; A47G 9/023; A47G 9/0238; A47G 9/0246; A47G 9/0253; A47G 9/0261; A47G 9/06; A47G 9/062; A47G 9/066; A47G 9/068; A47G 9/08; A47G 2009/0276; A47G 9/0284; A47G 9/0292; A47G 9/04; A47G 9/10

See application file for complete search history.

(56) **References Cited**

U.S. PATENT DOCUMENTS

D593,349 S *	6/2009	Pittman	D6/596
D679,931 S *	4/2013	Itzkovitz	D6/605
D717,078 S *	11/2014	Arnold	D6/605
D802,964 S *	11/2017	Alletto, Jr.	D6/605
D810,473 S *	2/2018	Wightman	D6/606
D811,777 S *	3/2018	Wightman	D6/606
D830,731 S *	10/2018	Alletto, Jr.	D6/596
D831,383 S *	10/2018	Alletto, Jr.	D6/596
D866,223 S *	11/2019	Williams	D6/605

* cited by examiner

Primary Examiner — Jennifer L Rempfer

(74) *Attorney, Agent, or Firm* — Cantor Colburn LLP

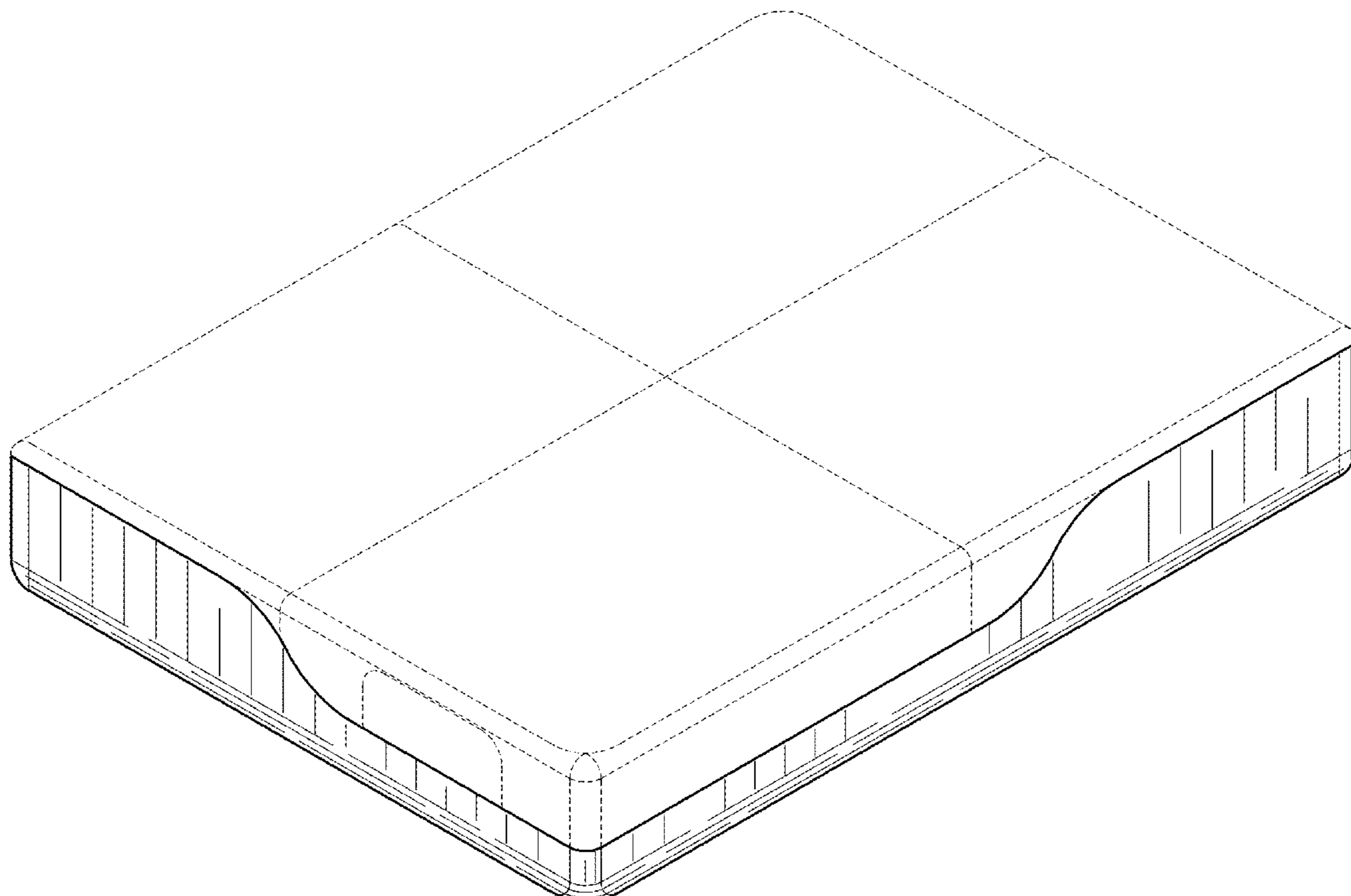
(57) **CLAIM**

We claim the ornamental design for a mattress, as shown and described.

DESCRIPTION

FIG. 1 is a left side, top perspective view of a mattress embodying my design in accordance with one embodiment; FIG. 2 is a rear elevational view depicting a head end of the mattress; FIG. 3 is a front elevational view depicting a foot end of the mattress; FIG. 4 is a right-side elevational view of the mattress; FIG. 5 is a left-side elevational view of the mattress; and, FIG. 6 is a bottom plan view of the mattress. The broken lines represent features of the mattress that form no part of the claim.

1 Claim, 3 Drawing Sheets



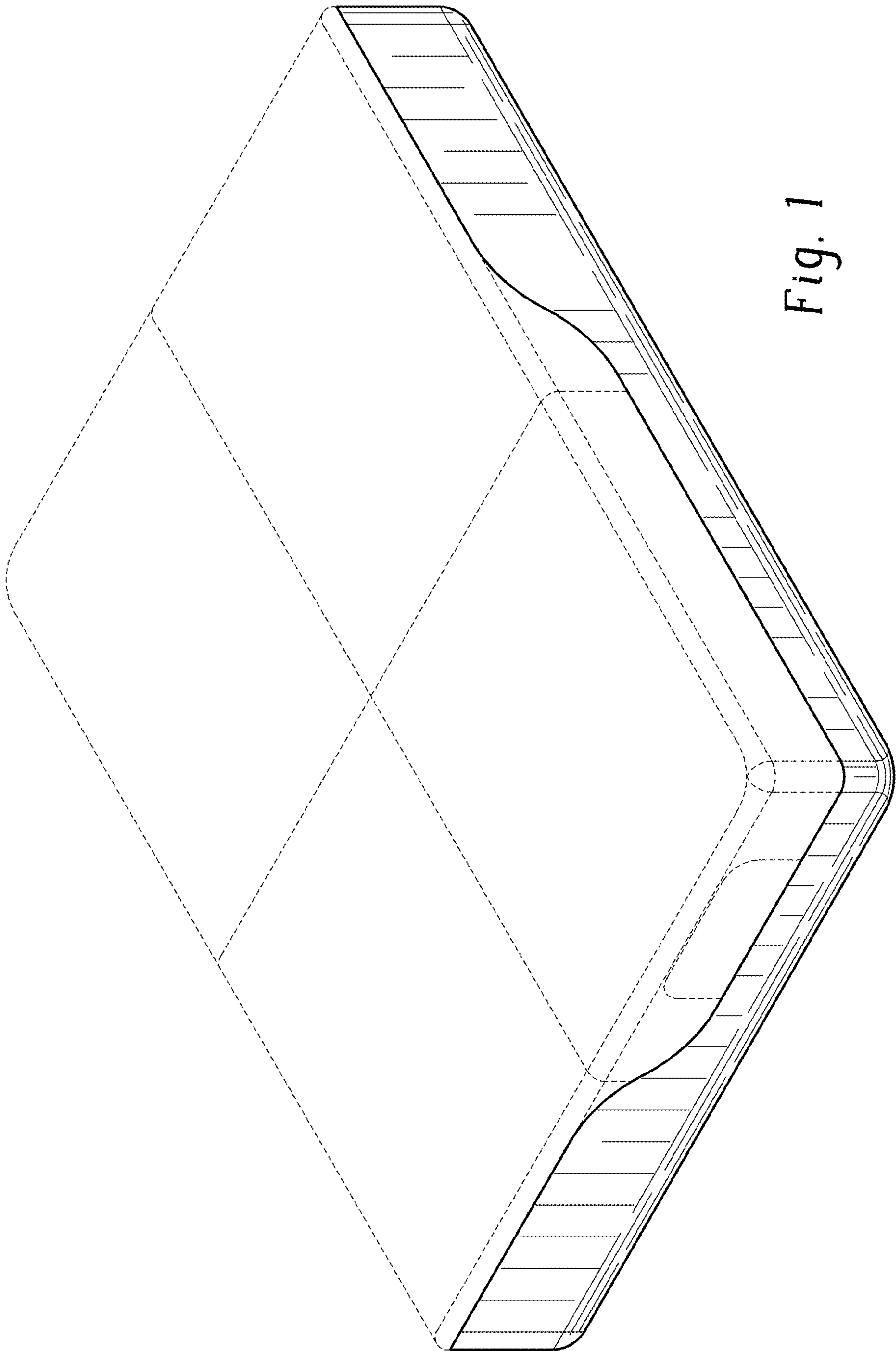


Fig. 1

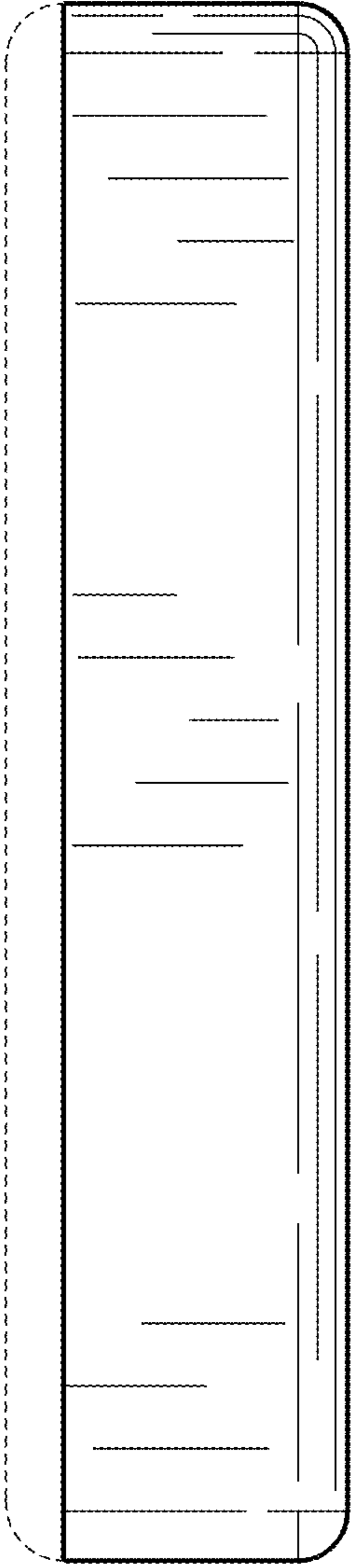


Fig. 2

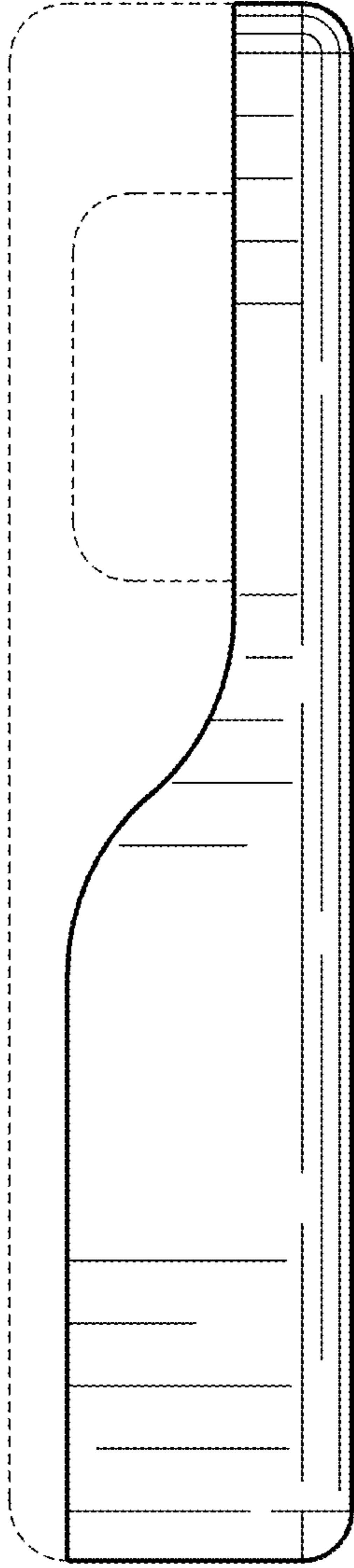


Fig. 3

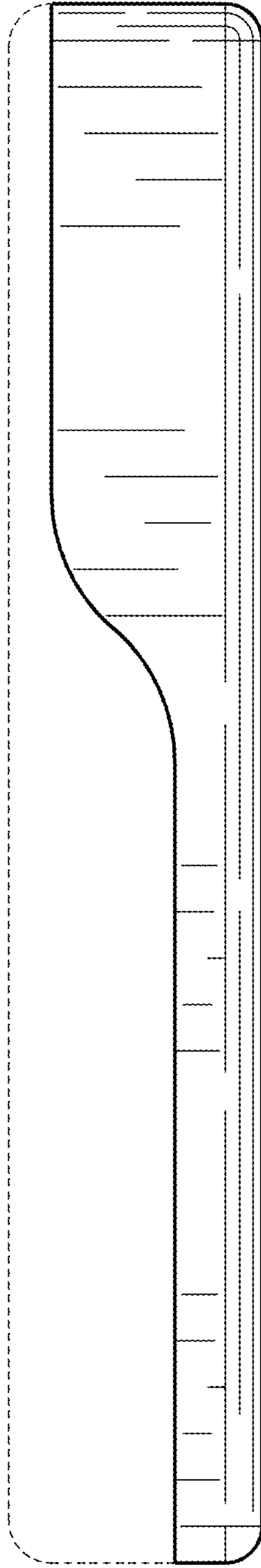


Fig. 4

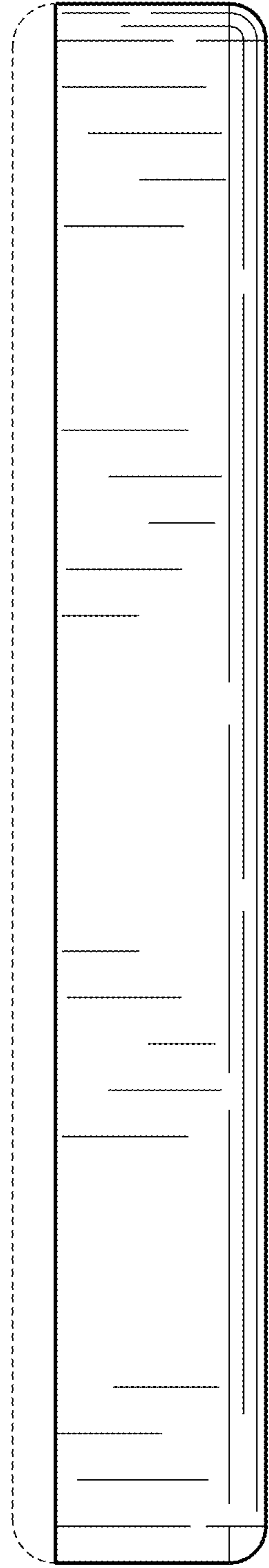


Fig. 5

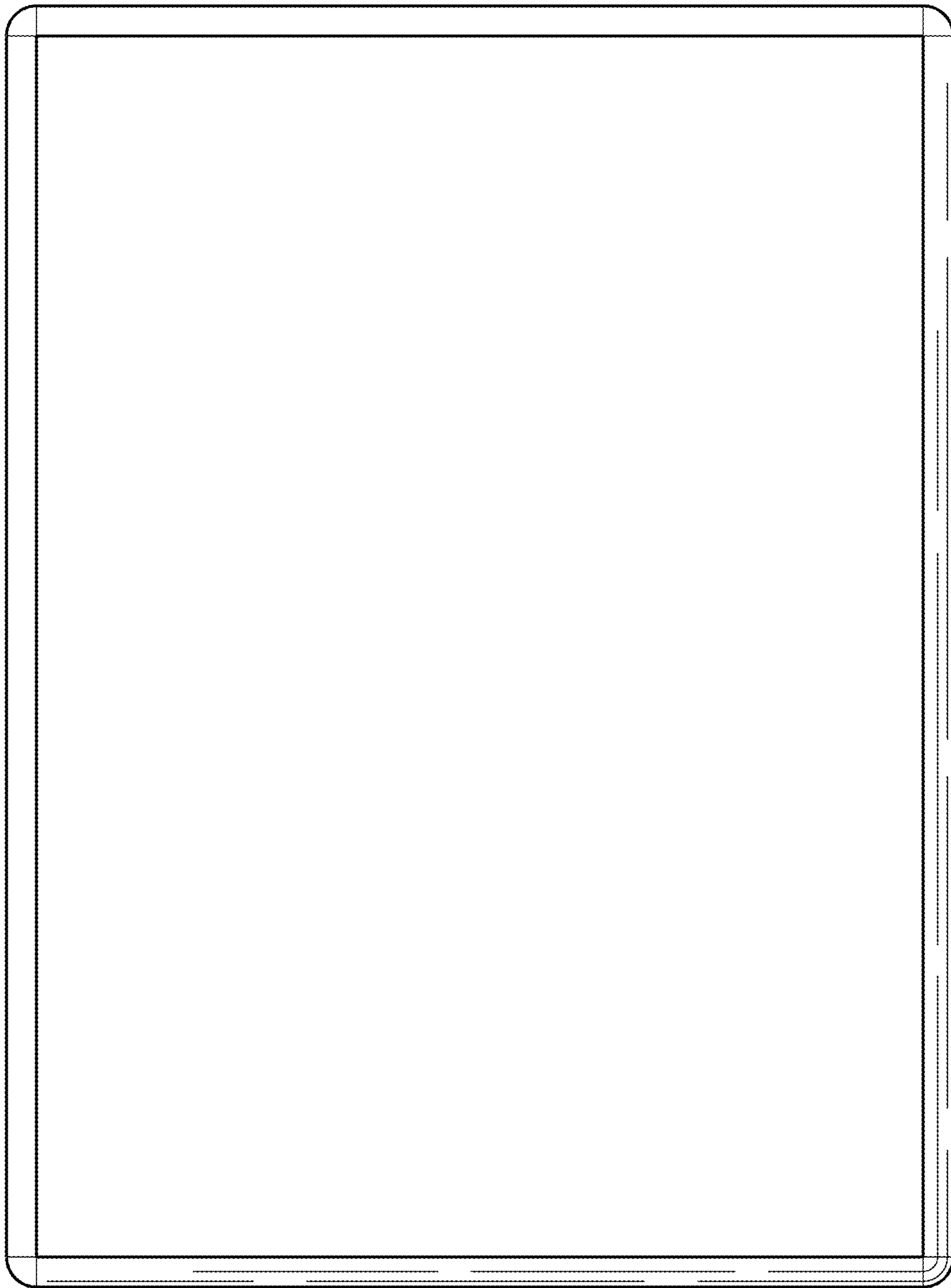


Fig. 6