



US00D907399S

(12) **United States Design Patent** (10) **Patent No.:** **US D907,399 S**
Pavlin (45) **Date of Patent:** **** Jan. 12, 2021**

(54) **CUSHION**
(71) Applicant: **Brian R. Pavlin**, Cincinnati, OH (US)
(72) Inventor: **Brian R. Pavlin**, Cincinnati, OH (US)
(73) Assignee: **IMMERSUS HEALTH CO**,
Cincinnati, OH (US)
(**) Term: **15 Years**
(21) Appl. No.: **29/673,398**
(22) Filed: **Dec. 14, 2018**
(51) **LOC (13) Cl.** **06-09**
(52) **U.S. Cl.**
USPC **D6/601**
(58) **Field of Classification Search**
USPC D6/582-583, 587-592, 595-609,
D6/617-622; D21/803-809; D24/183
CPC A47G 9/00; A47G 2009/001; A47G
2009/002; A47G 2009/003; A47G 9/10;
A47G 9/1009; A47G 2009/1018; A47G
9/1045; A47G 9/1081; A47G 9/109
See application file for complete search history.

D387,939 S * 12/1997 Tedesco D6/610
D413,735 S * 9/1999 Tseng D6/361
D424,337 S * 5/2000 Smith D6/716
D425,735 S * 5/2000 Smith D6/716
D484,350 S * 12/2003 Miller D6/368
D594,240 S * 6/2009 Udoff D6/361
D648,167 S * 11/2011 Colon D6/601
D685,211 S * 7/2013 Vega-Woller D6/596
D699,496 S * 2/2014 McCarty D6/718
D699,995 S * 2/2014 McCarty D6/718
D713,172 S * 9/2014 Tobin D6/601
D717,555 S * 11/2014 Massaud D6/364
D781,611 S * 3/2017 Westfall D6/379
D810,454 S * 2/2018 Westfall D6/361
10,264,888 B2 * 4/2019 Clark A47C 1/143
2011/0127815 A1 * 6/2011 Nickerson A47C 4/52
297/217.1
2018/0289163 A1 * 10/2018 Clark A47C 7/021

* cited by examiner

Primary Examiner — Jennifer L Rempfer
(74) *Attorney, Agent, or Firm* — Justin Lampel

(57) **CLAIM**

The ornamental design for a cushion, as shown and described.

DESCRIPTION

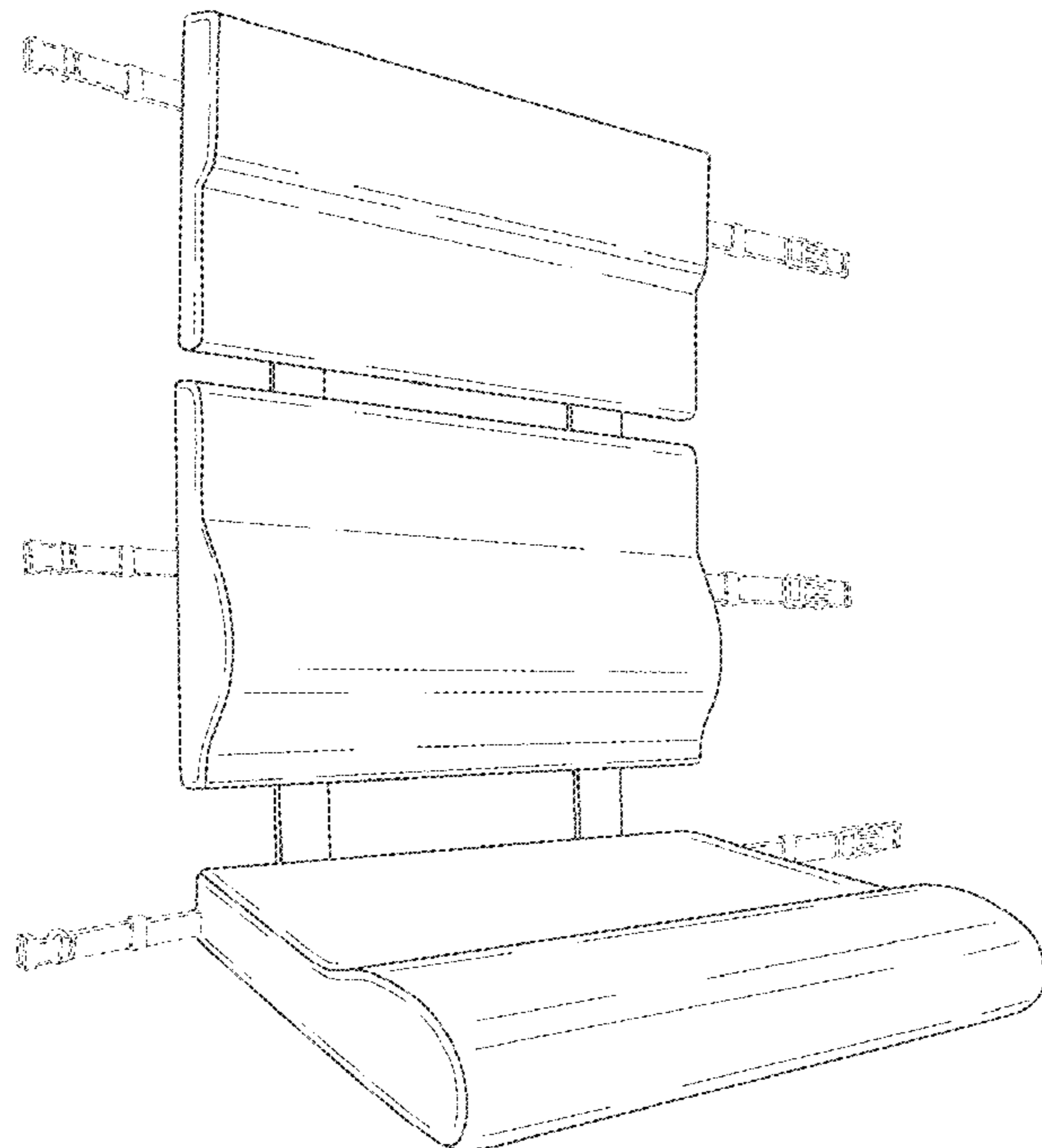
FIG. 1 is a perspective view of the cushion;
FIG. 2 is a front view of the cushion;
FIG. 3 is a back view of the cushion;
FIG. 4 is a side view of the cushion;
FIG. 5 is a side view of the cushion;
FIG. 6 is a top view of the cushion; and,
FIG. 7 is a bottom view of the cushion.
The broken lines show portions of the design that form no part of the claim.

1 Claim, 6 Drawing Sheets

(56) **References Cited**

U.S. PATENT DOCUMENTS

D264,645 S * 6/1982 Arnesen D6/367
D265,619 S * 8/1982 Kano D6/369
D280,786 S * 10/1985 Platner D6/366
D302,079 S * 7/1989 Goldman D6/361
D312,735 S * 12/1990 Hoffmann D6/335
5,265,292 A * 11/1993 Underell A47C 4/52
297/380
D350,240 S * 9/1994 Carstarphen D6/361
D366,383 S * 1/1996 Briegleb D6/601
D379,047 S * 5/1997 Richard D6/368



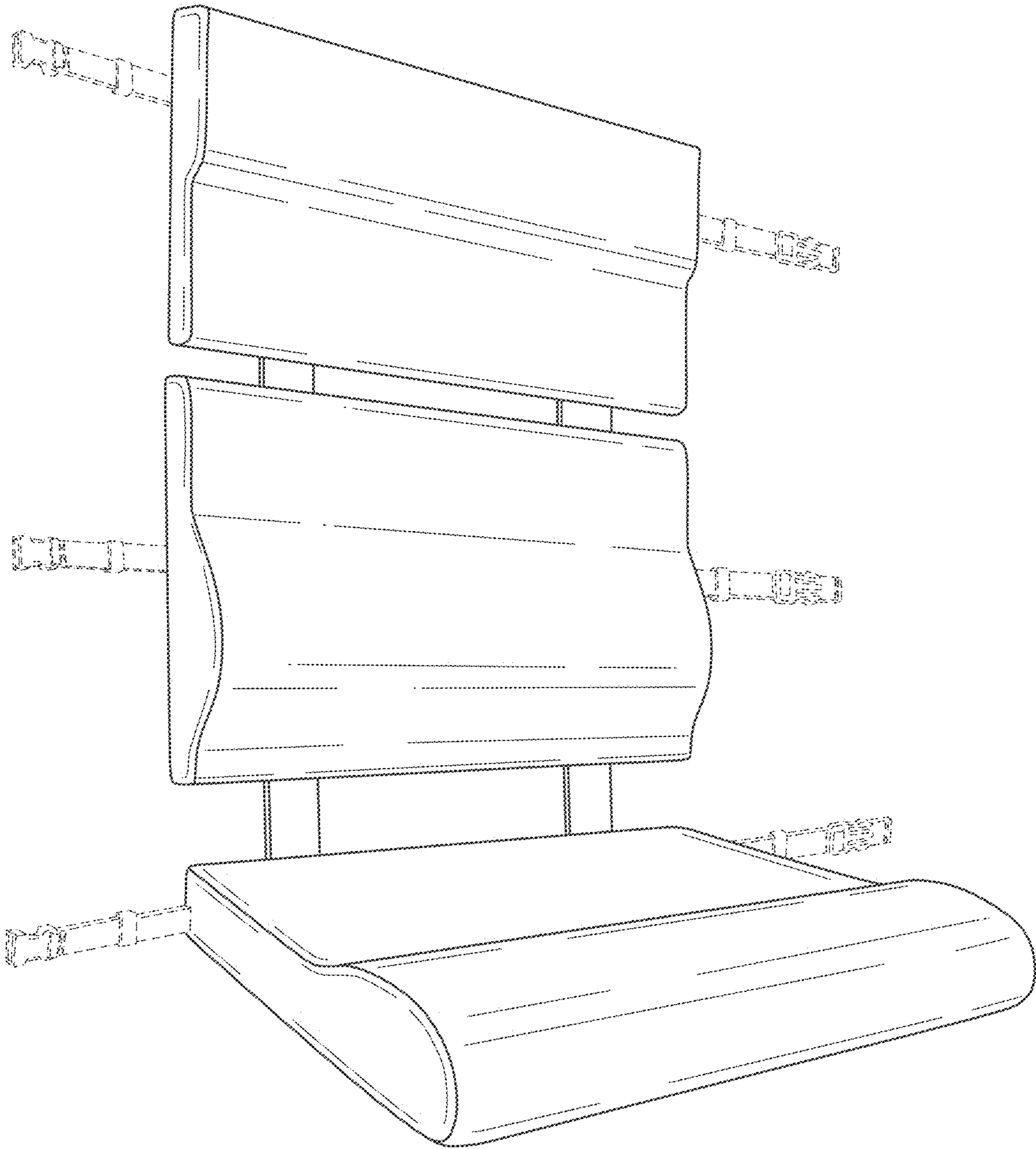


FIG. 1

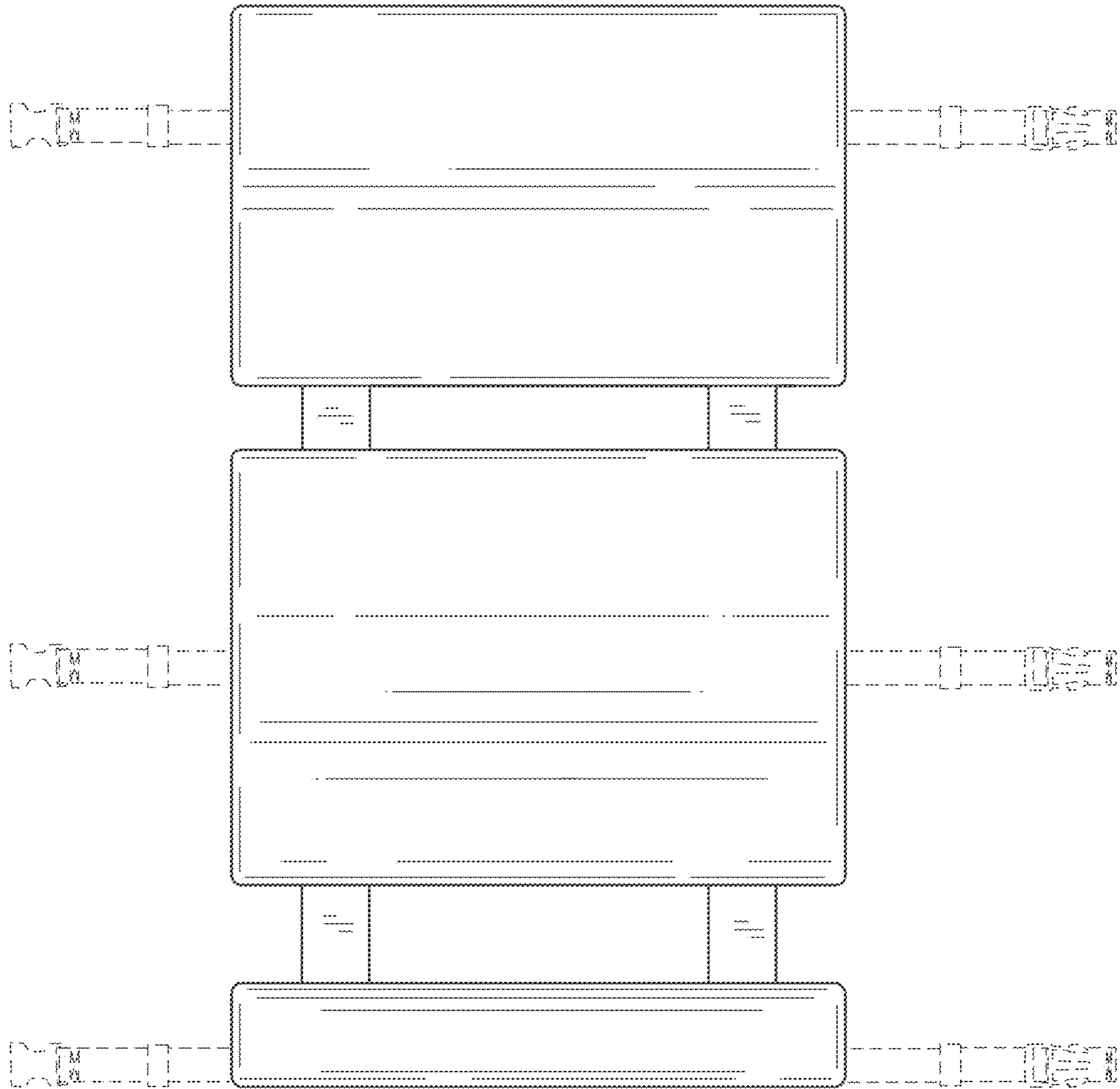


FIG. 2

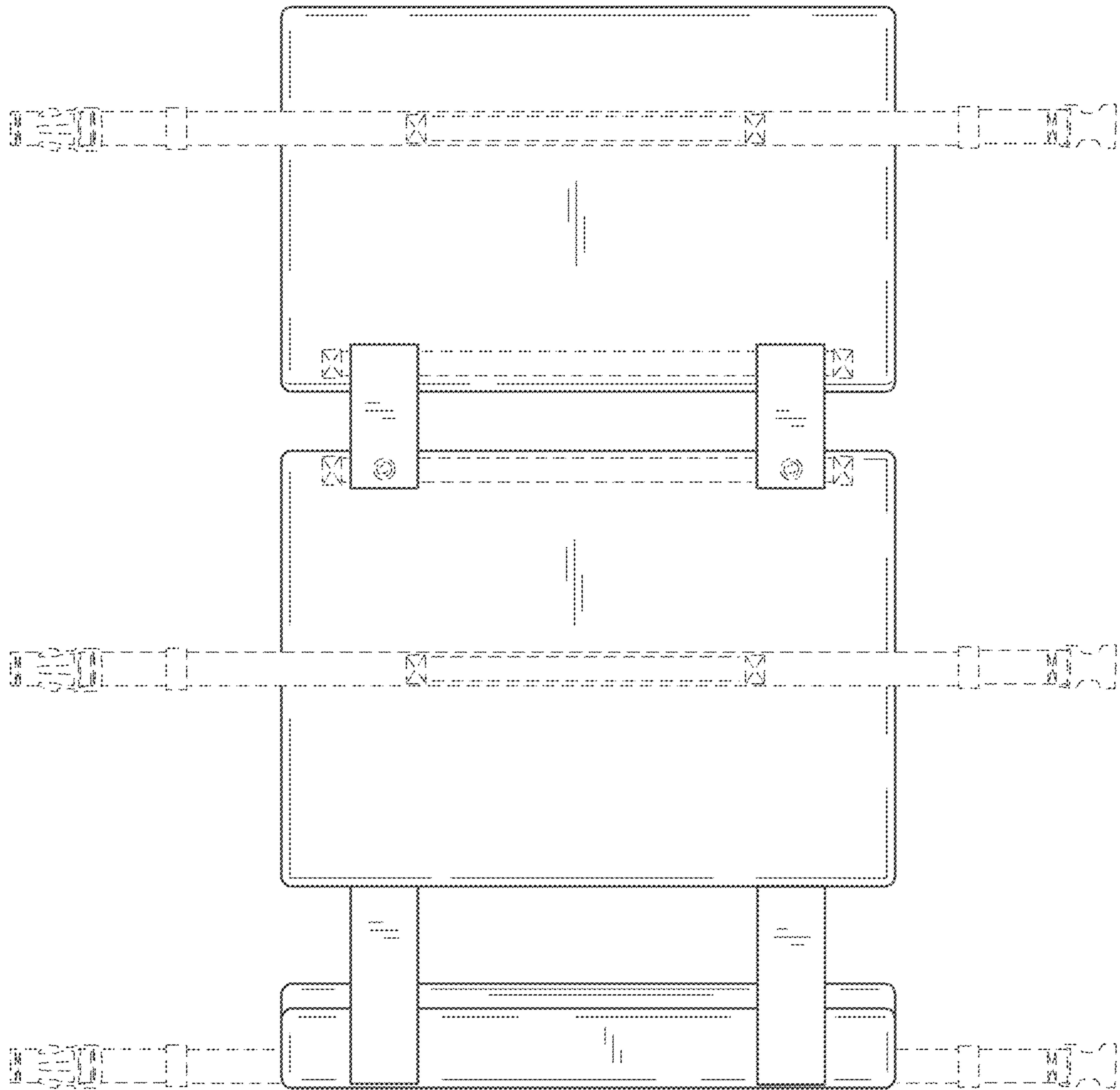


FIG. 3

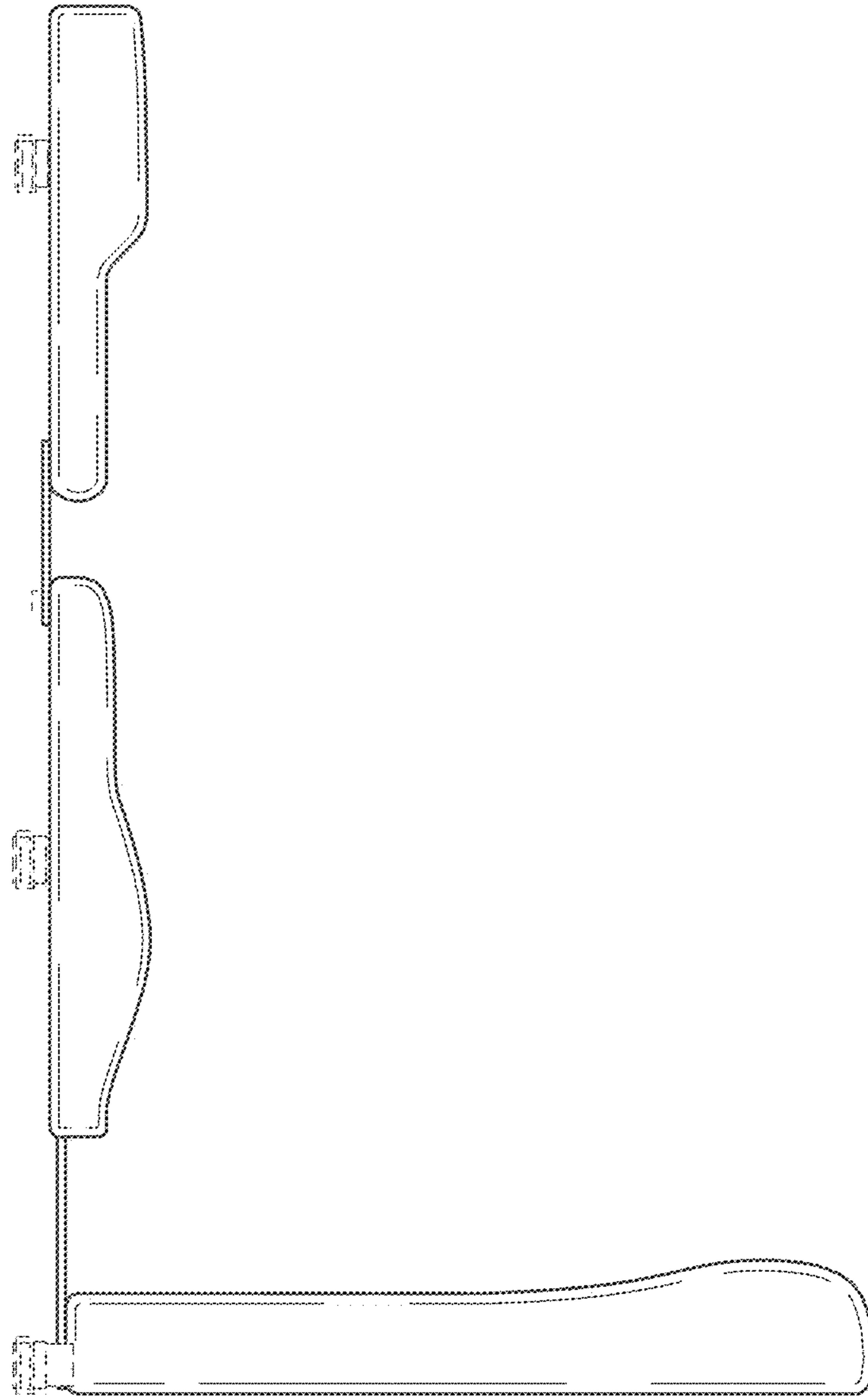


FIG. 4

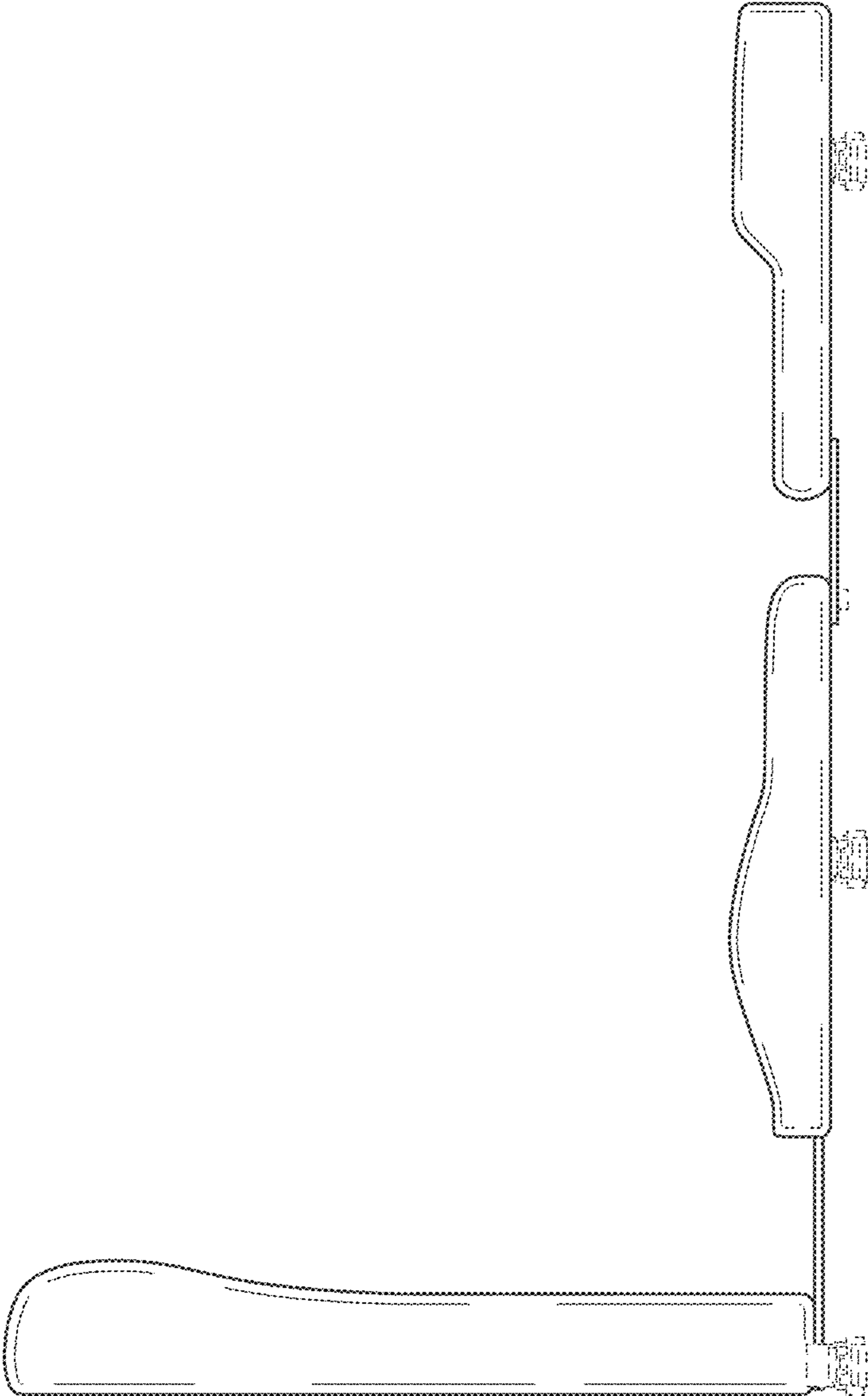


FIG. 5

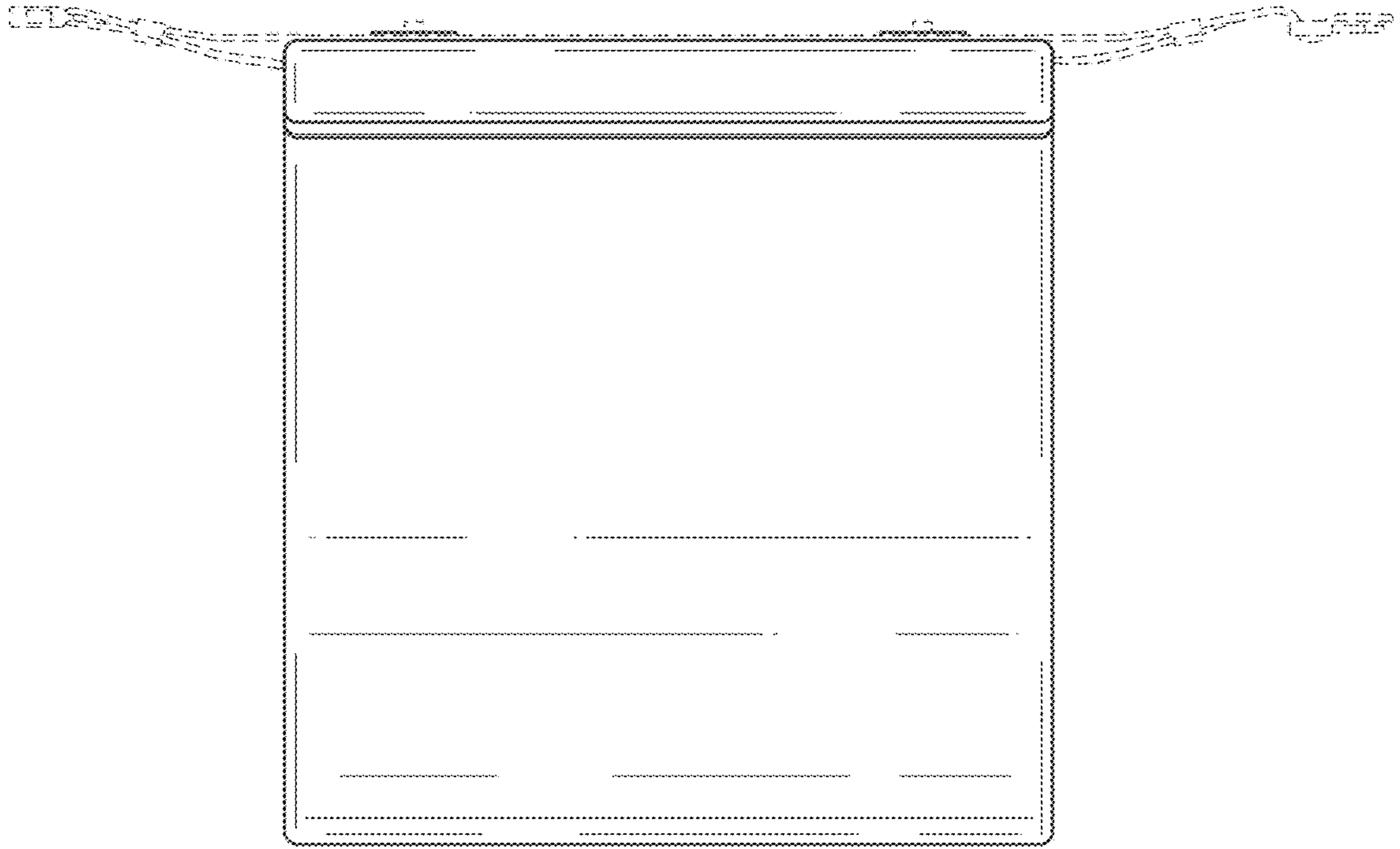


FIG. 6

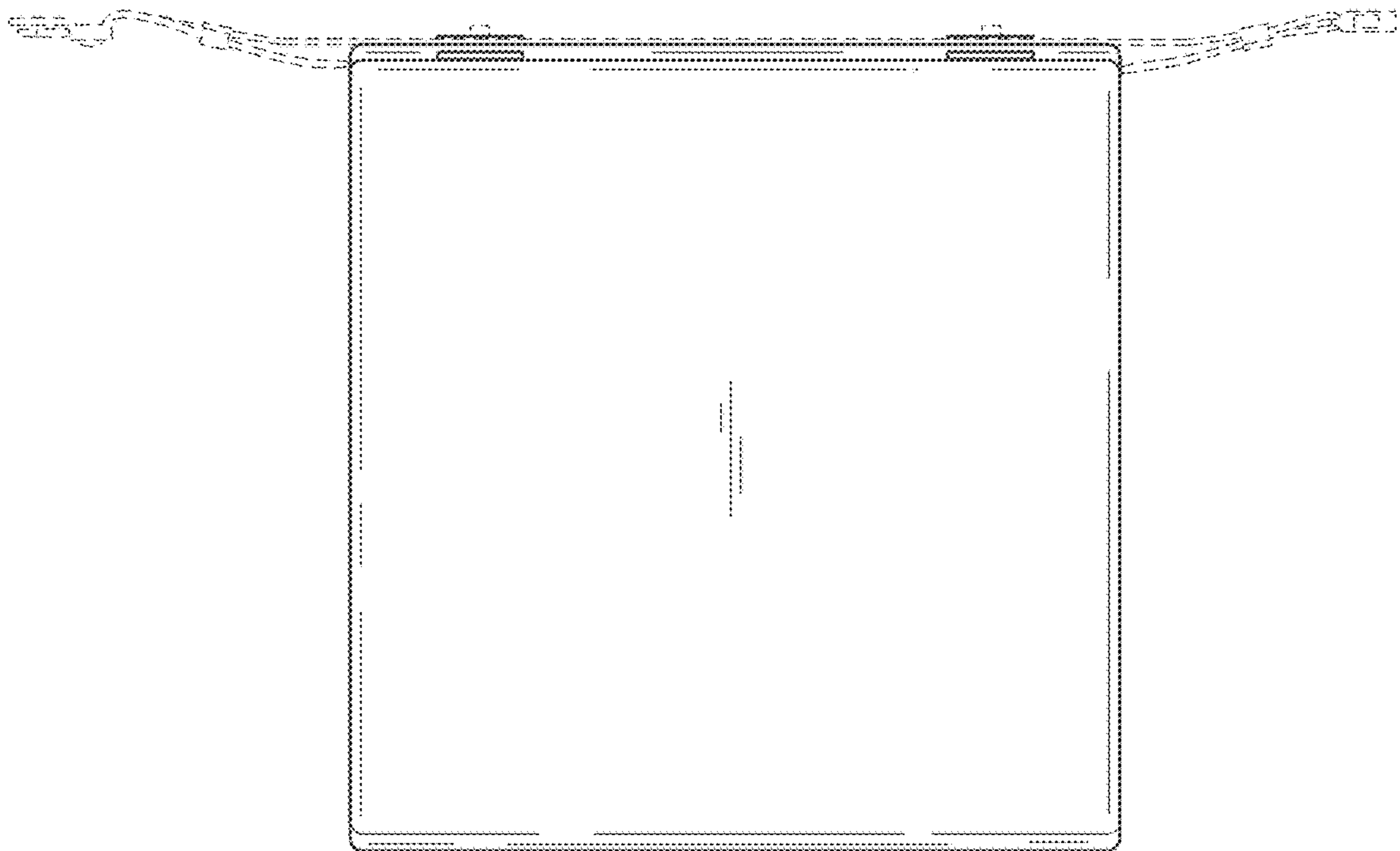


FIG. 7