



US00D907398S

(12) **United States Design Patent**  
**Hu**

(10) **Patent No.:** **US D907,398 S**

(45) **Date of Patent:** **\*\* Jan. 12, 2021**

(54) **PLAY MAT**

(71) Applicant: **Shenzhen Youhongdi Technology Co., Ltd.**, Shenzhen (CN)

(72) Inventor: **Fei Hu**, Shaoyang (CN)

(73) Assignee: **Shenzhen Youhongdi Technology Co., Ltd.**, Shenzhen (CN)

(\*\*) Term: **15 Years**

(21) Appl. No.: **29/729,721**

(22) Filed: **Mar. 30, 2020**

(51) **LOC (13) Cl.** ..... **06-09**

(52) **U.S. Cl.**  
USPC ..... **D6/598**

(58) **Field of Classification Search**  
USPC ..... D6/333, 349, 355, 375, 388, 512, 563,  
D6/564, 595, 596, 601, 603, 605, 608,  
D6/604, 611; D24/183-185, 234;  
D21/803, 804, 805, 809, 338, 339, 597,  
D21/606, 608, 836; 5/401, 420, 600,  
5/630, 631, 632, 633, 635, 636, 638, 639,  
5/646, 652, 652.1, 655, 703, 730, 411,  
5/705

CPC .. A47G 9/0238; A47G 9/0246; A47G 9/0261;  
A47G 2009/0269; A47G 9/04; A47G  
9/062; A47G 9/10; A47G 9/1018; A47G  
9/1027; A47G 9/1063; A47G 9/1072;  
A47G 9/1081; A47G 9/1054

See application file for complete search history.

(56) **References Cited**

**U.S. PATENT DOCUMENTS**

1,566,858 A \* 12/1925 Guinzburg ..... B63C 9/08  
472/129  
2,008,453 A \* 7/1935 Kalfur ..... A63H 7/04  
446/325  
D161,906 S \* 2/1951 Cohen ..... D21/608

D162,333 S \* 3/1951 Moore ..... D21/608  
2,581,545 A \* 1/1952 Long ..... B63B 34/50  
441/131  
D219,468 S \* 12/1970 Murdoch ..... D21/832  
D330,139 S 10/1992 Bloom  
D347,329 S \* 5/1994 Wilkins ..... D21/808  
D485,593 S \* 1/2004 Muci ..... D21/769  
D561,405 S \* 2/2008 Kalatsky ..... D30/118  
D595,384 S \* 6/2009 Marciano ..... D21/803  
D599,428 S \* 9/2009 Marciano ..... D21/803  
D651,662 S \* 1/2012 Monahan ..... D21/608

(Continued)

**OTHER PUBLICATIONS**

Obbug: Tummy Time Mat baby Water Play Mat, earliest review Jun. 28, 2020, [online], [site visited Jul. 29, 2020]. Available from Internet, <URL: [https://www.amazon.com/Tummy-Water-Infant-Inflatable-Months/dp/B0868LZS3V/ref=sr\\_1\\_310?dchild=1&keywords=play+mat&qid=1596059508&sr=8-310](https://www.amazon.com/Tummy-Water-Infant-Inflatable-Months/dp/B0868LZS3V/ref=sr_1_310?dchild=1&keywords=play+mat&qid=1596059508&sr=8-310)> (Year: 2020).\*

*Primary Examiner* — Sanjeev Paul

(74) *Attorney, Agent, or Firm* — ScienBiziP, P.C.

(57) **CLAIM**

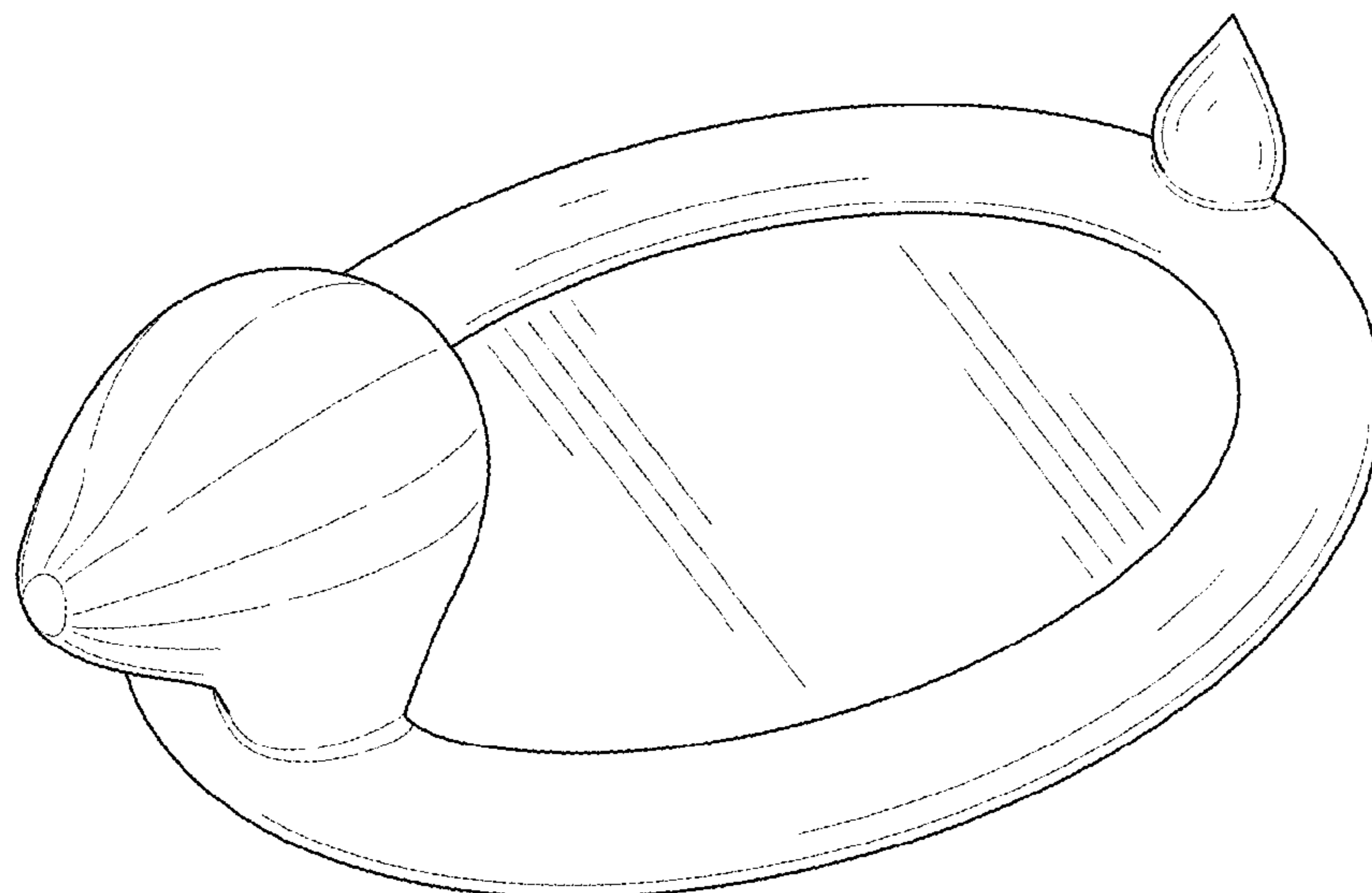
The ornamental design for a play mat, as shown and described.

**DESCRIPTION**

FIG. 1 is a top, front, right side perspective view of a play mat, showing my design.  
FIG. 2 is a bottom, rear, left side perspective view thereof.  
FIG. 3 is a front elevation view thereof.  
FIG. 4 is a rear elevation view thereof.  
FIG. 5 is a left side elevation view thereof.  
FIG. 6 is a right side elevation view thereof.  
FIG. 7 is a top plan view thereof; and,  
FIG. 8 is a bottom plan view thereof.

The broken lines shown in the drawings are included for the purpose of illustrating portions of the play mat that form no part of the claimed design.

**1 Claim, 8 Drawing Sheets**



(56)

**References Cited**

## U.S. PATENT DOCUMENTS

D697,336 S \* 1/2014 Perry ..... D6/601  
D705,376 S \* 5/2014 Rubey ..... D21/803  
D759,182 S \* 6/2016 Wampold ..... D21/808  
D776,765 S \* 1/2017 Weisman ..... D21/608  
D785,119 S \* 4/2017 Hempton ..... D21/808  
D787,617 S \* 5/2017 Krepack ..... D21/808  
D796,737 S \* 9/2017 Hagenstad ..... D28/8.2  
9,770,120 B2 \* 9/2017 Benezri ..... A63H 33/008  
D799,627 S \* 10/2017 de Grasse ..... D21/808  
D827,751 S \* 9/2018 Ligeri ..... D21/808  
D834,126 S \* 11/2018 Wampold ..... D21/803  
D836,741 S \* 12/2018 Denney, Jr. .... D21/808  
D837,393 S \* 1/2019 Wood ..... D24/195  
D842,413 S \* 3/2019 Ligeri ..... D21/808  
D842,414 S \* 3/2019 Ligeri ..... D21/808  
D846,040 S \* 4/2019 Rodriguez ..... D21/608  
D846,679 S \* 4/2019 Ligeri ..... D21/808  
D849,866 S \* 5/2019 Barrett ..... D21/808  
D858,674 S \* 9/2019 Shu ..... D21/808  
D866,998 S 11/2019 Zheng  
D873,940 S \* 1/2020 Schwimmer ..... D21/808  
D873,943 S \* 1/2020 Hsu ..... D21/808  
D877,272 S \* 3/2020 He ..... D21/808  
D879,899 S \* 3/2020 Engler ..... D21/808  
D882,711 S \* 4/2020 Engler ..... D21/808  
D882,713 S \* 4/2020 Engler ..... D21/808  
D888,177 S \* 6/2020 Peterson ..... D21/803

\* cited by examiner

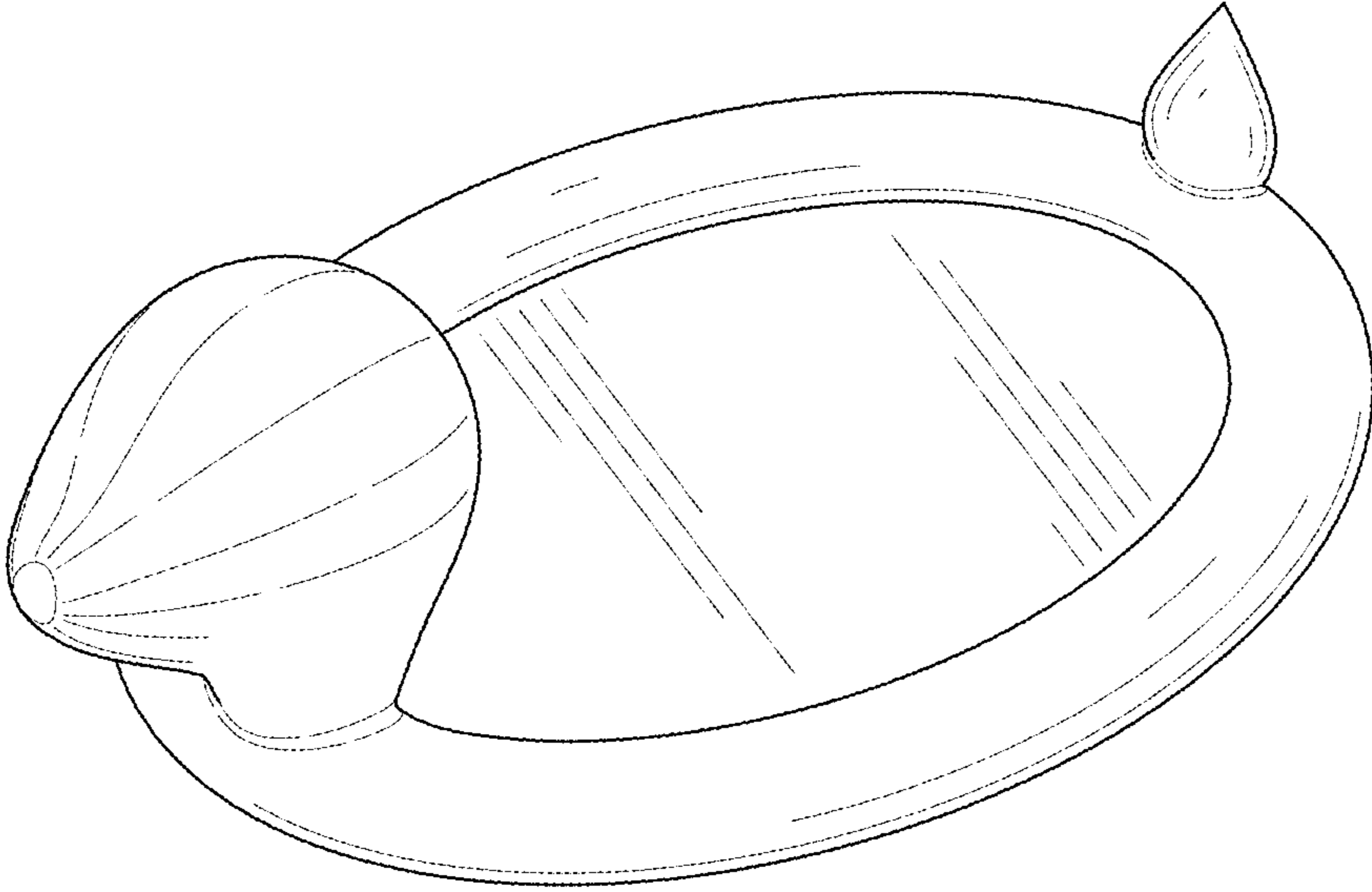


FIG. 1

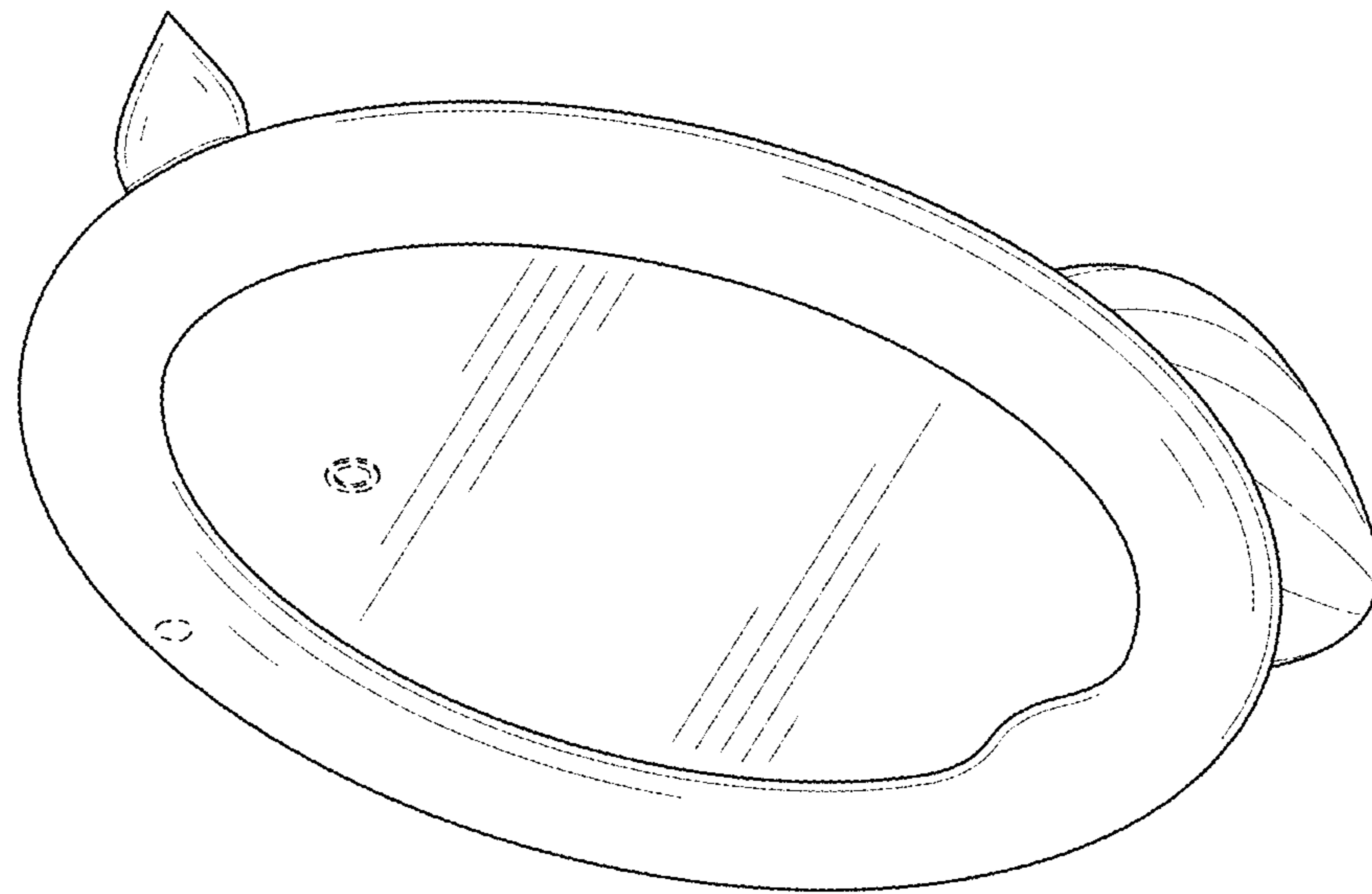


FIG. 2

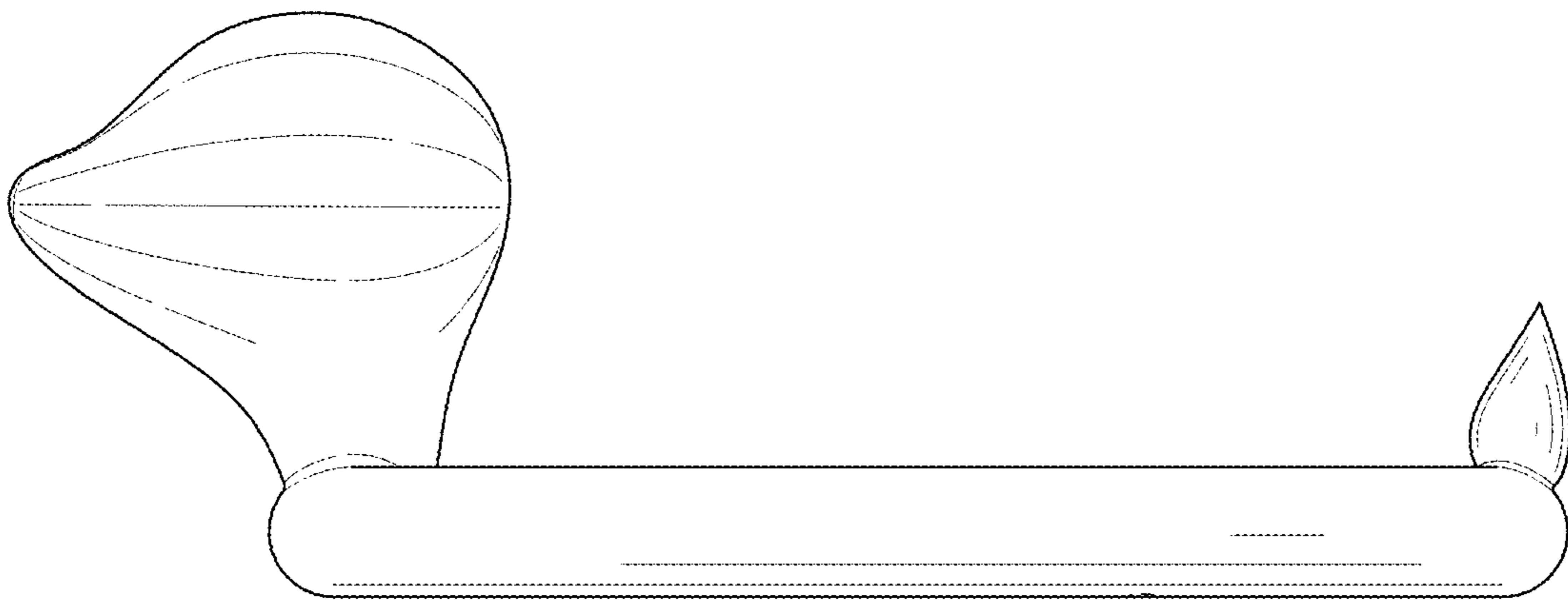


FIG. 3

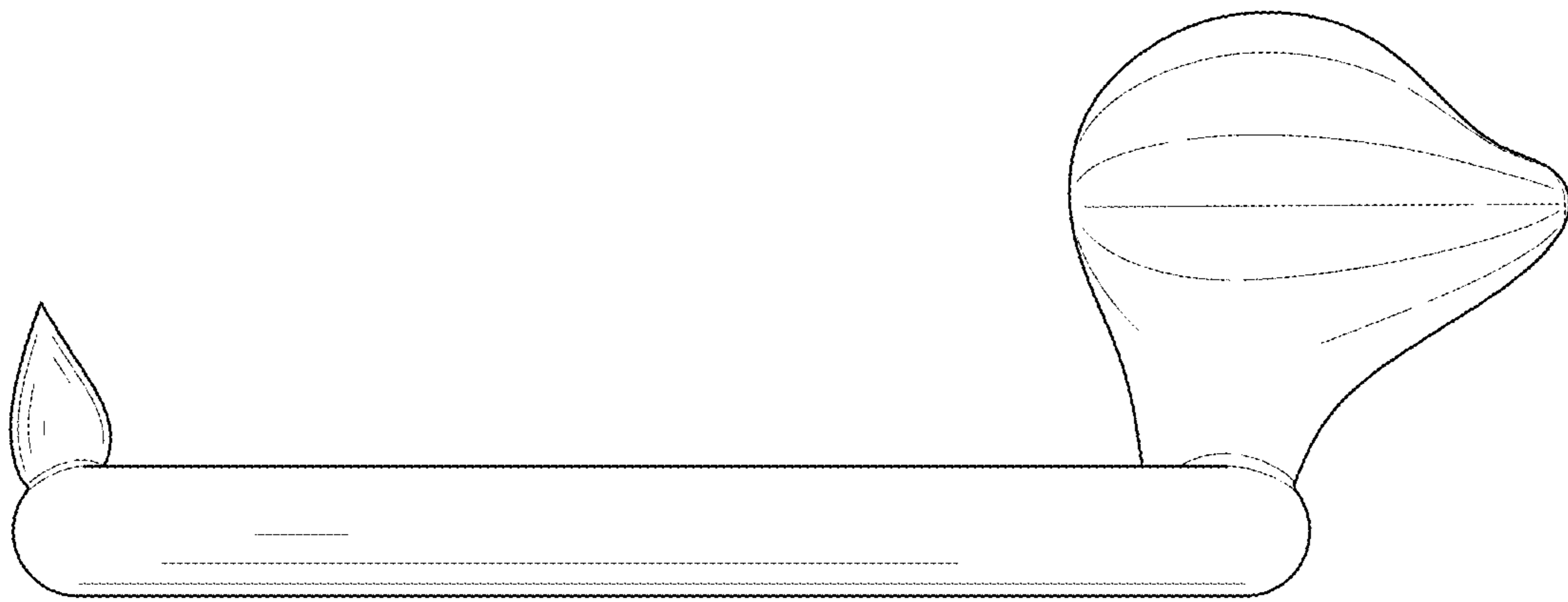


FIG. 4

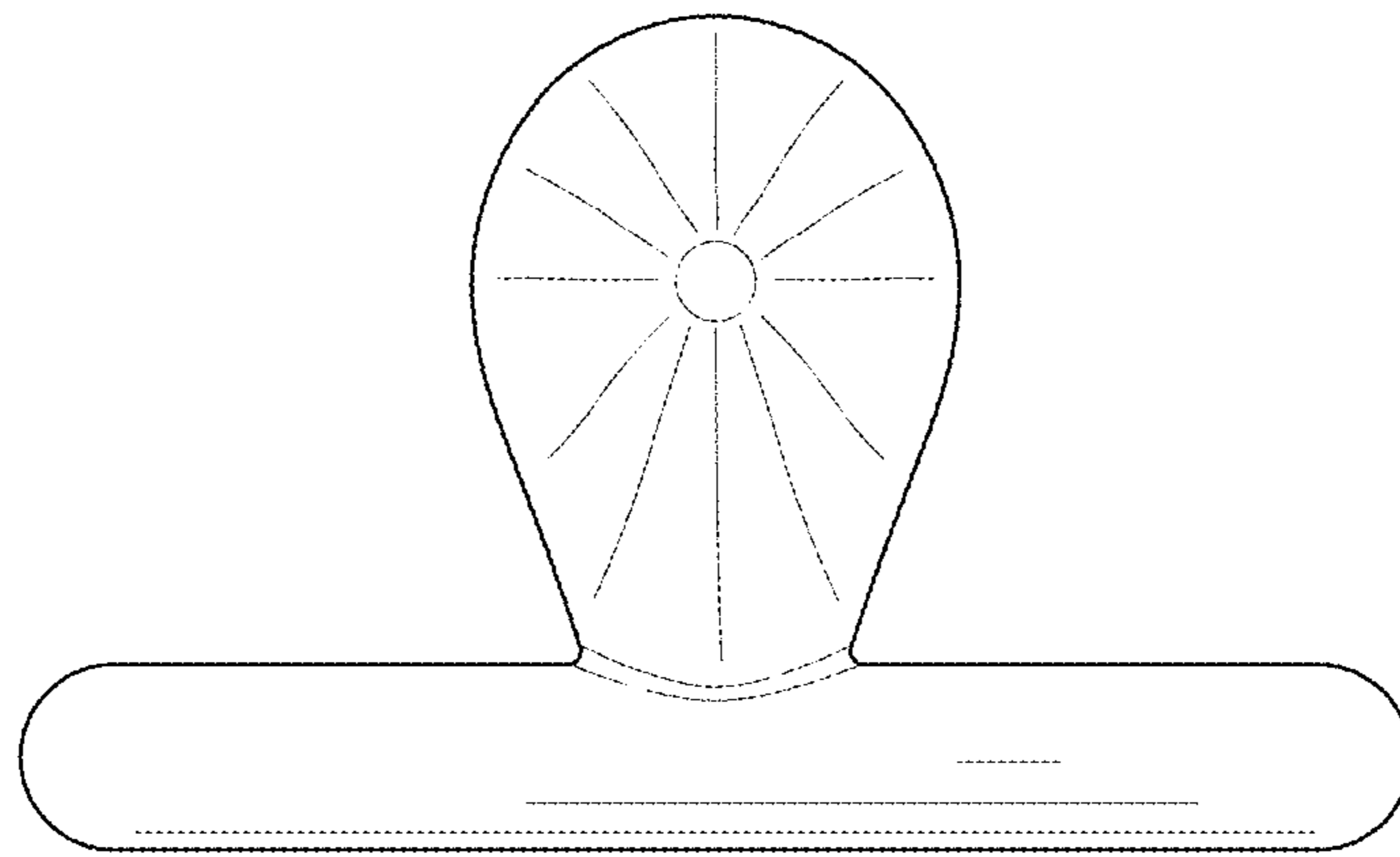


FIG. 5

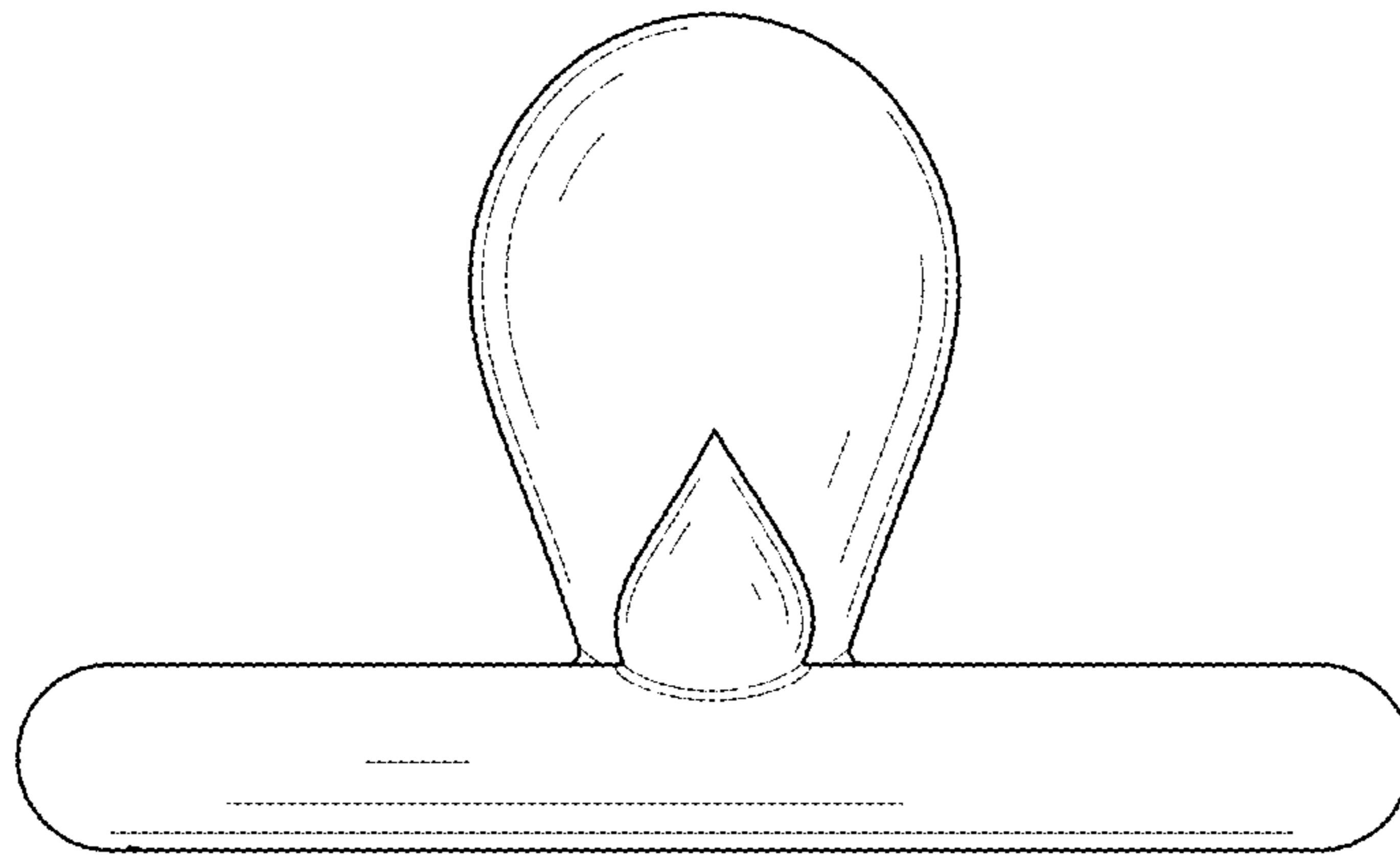


FIG. 6



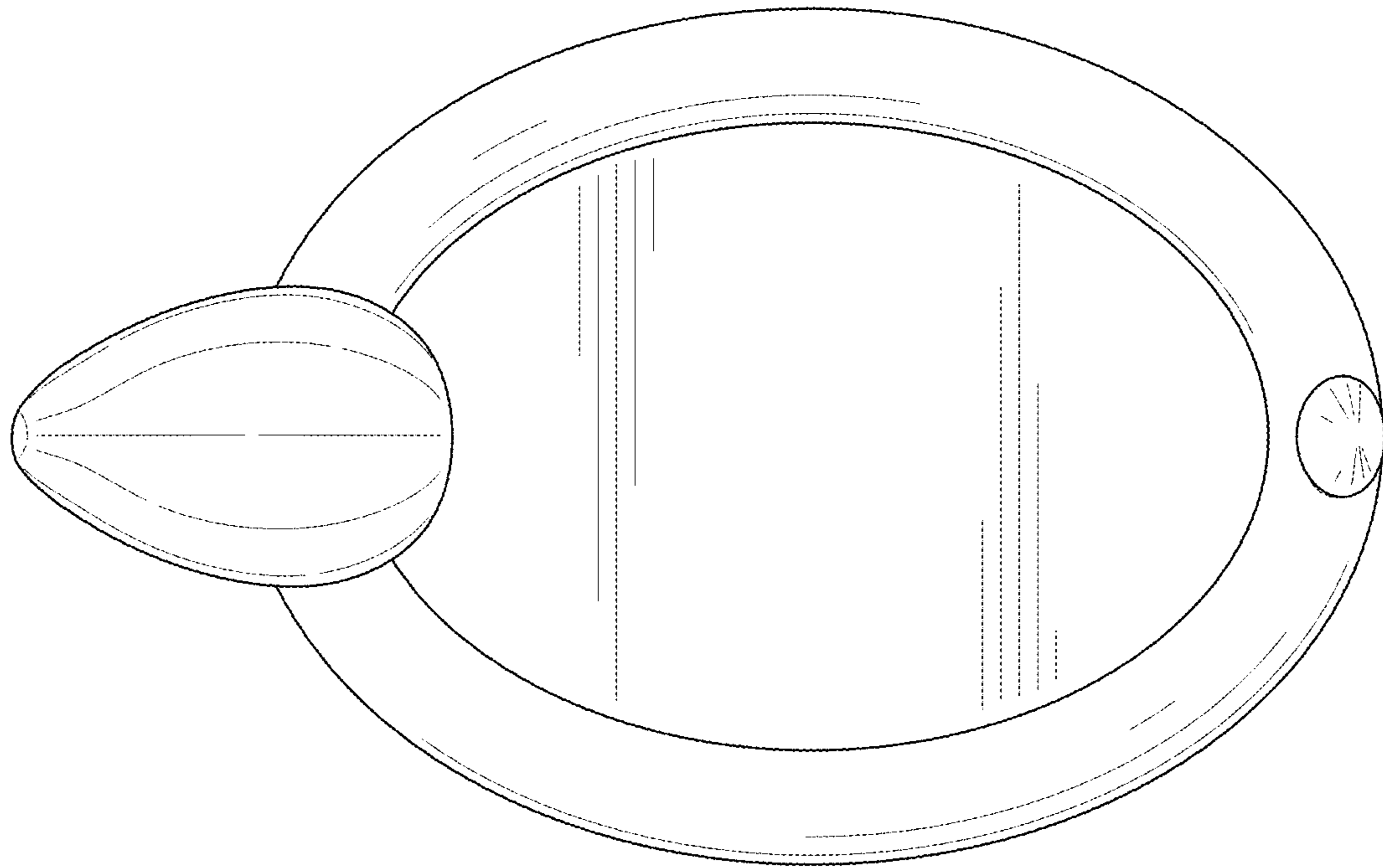


FIG. 7

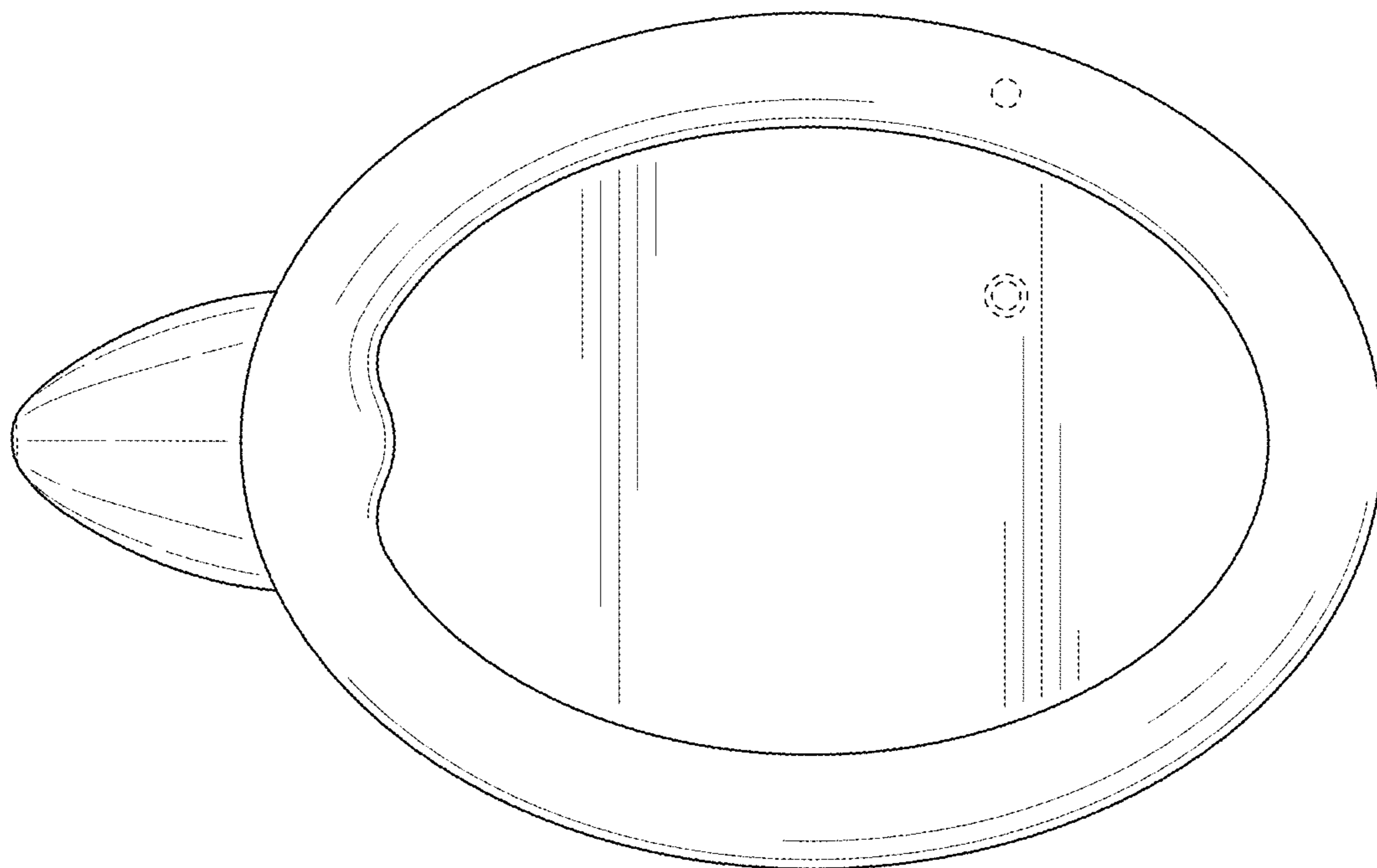


FIG. 8