



US00D907397S

(12) **United States Design Patent**
Huang

(10) **Patent No.:** **US D907,397 S**

(45) **Date of Patent:** **** Jan. 12, 2021**

(54) **CORNER SHOWER CADDY**

(71) Applicant: **Guangxin Huang**, Guangdong (CN)

(72) Inventor: **Guangxin Huang**, Guangdong (CN)

(**) Term: **15 Years**

(21) Appl. No.: **29/709,890**

(22) Filed: **Oct. 18, 2019**

(51) **LOC (13) Cl.** **06-04**

(52) **U.S. Cl.**

USPC **D6/562**; D6/525; D6/566

(58) **Field of Classification Search**

USPC D6/525, 320, 524, 533, 536, 537, 540,
D6/566, 567, 562; D7/637; 211/13.1,
211/71.01, 74, 75, 86.01, 87.01, 88.01,
211/90.01, 90.03, 106, 119, 126.1, 133.5,
211/134, 181.1

CPC A47K 17/00; A47K 3/281; A47K 3/001;
A47K 1/09; A47K 1/08; A47K 3/004;
A47K 5/03; A47K 7/024; A47K 2201/02;
A47B 57/265; A47B 57/565; A47B
57/26; A47B 96/002; A47B 95/008; A47B
96/024; F16B 47/00; F16B 11/006; A46B
2200/1006

See application file for complete search history.

(56) **References Cited**

U.S. PATENT DOCUMENTS

D175,229 S * 7/1955 Neufeld D25/102
D355,314 S * 2/1995 Travis D6/675.1
D397,570 S * 9/1998 Hoernig D6/553
D438,043 S * 2/2001 Hofman D3/305

D472,749 S * 4/2003 Walker D6/525
D472,750 S * 4/2003 Clucas D6/525
D512,866 S * 12/2005 Hoernig D6/574
D513,570 S * 1/2006 Hoernig D6/574
D514,362 S * 2/2006 Hoernig D6/574
D701,397 S * 3/2014 Snider D6/566
D774,411 S * 12/2016 Peterson D11/143
D863,817 S * 10/2019 Chien D6/566
2001/0052505 A1 * 12/2001 Lee B65G 11/143
211/85.18

OTHER PUBLICATIONS

Amazon.com, Smartake 2-Pack Corner SHower Caddy, Adhesive Bath Shelf with Hooks, SUS304 Stainless Steel Storage Organizer for Bathroom, Feb. 23, 2019, https://www.amazon.com/SMARTAKE-Adhesive-Stainless-Organizer-Bathroom/dp/B07WSTH41T/ref=cm_cr_arp_d_product_top?ie=UTF8 (Year: 2019).*

* cited by examiner

Primary Examiner — Nathan M Johnston

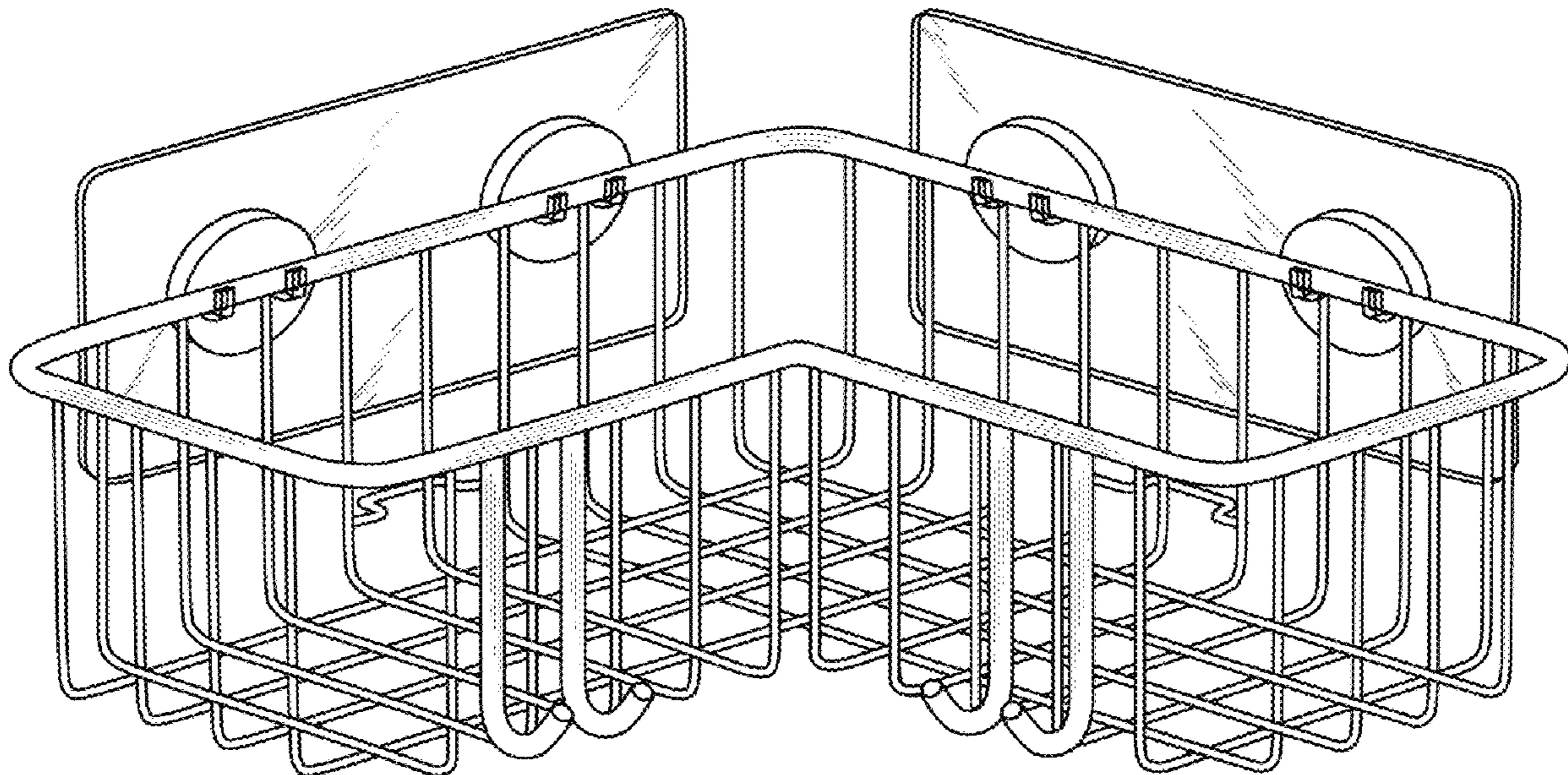
(57) **CLAIM**

The ornamental design for a corner shower caddy, as shown and described.

DESCRIPTION

FIG. 1 is a perspective view of a Corner Shower Caddy showing my new design;
FIG. 2 is a front elevational view thereof;
FIG. 3 is a rear elevational view thereof;
FIG. 4 is a left side elevational view thereof;
FIG. 5 is a right side elevational view thereof;
FIG. 6 is a top plan view thereof; and,
FIG. 7 is a bottom plan view thereof.

1 Claim, 7 Drawing Sheets



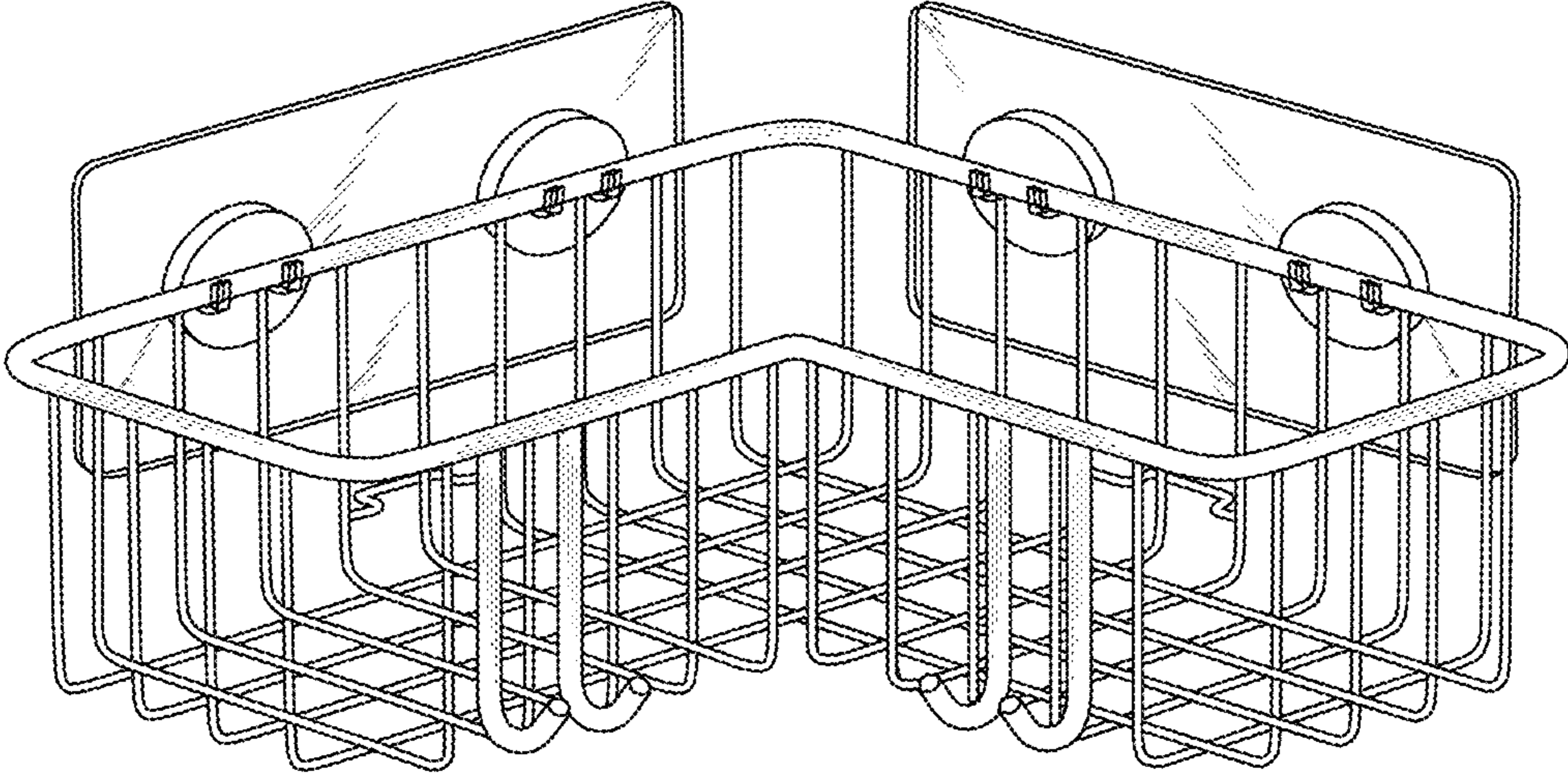


FIG. 1

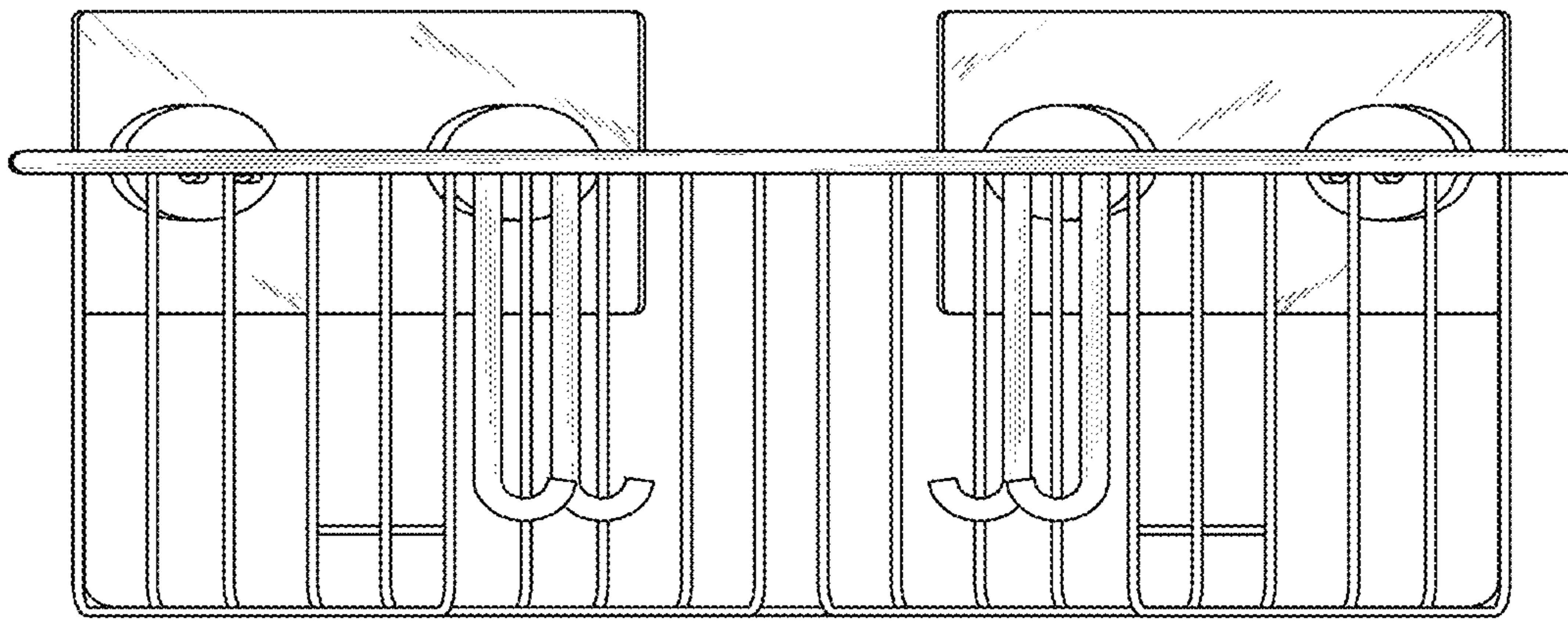


FIG. 2

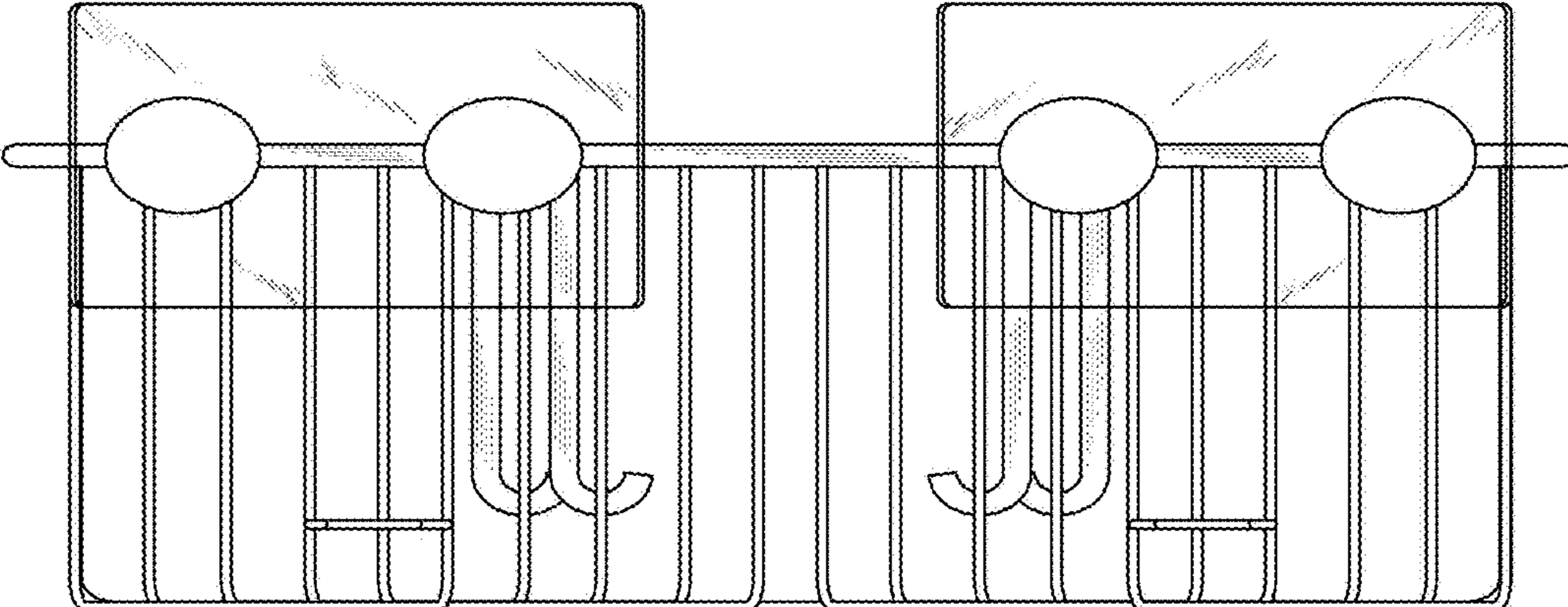


FIG. 3

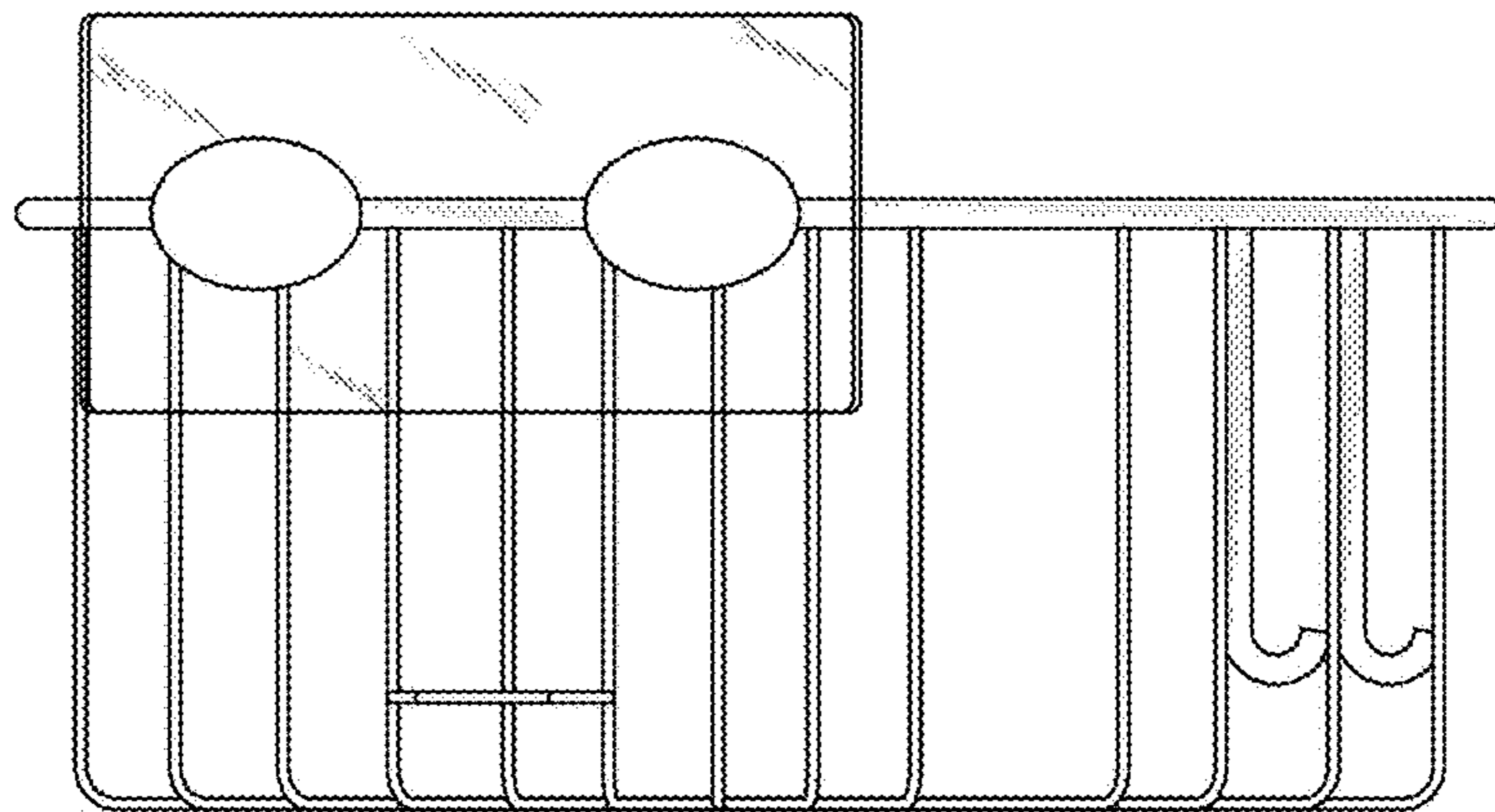


FIG. 4

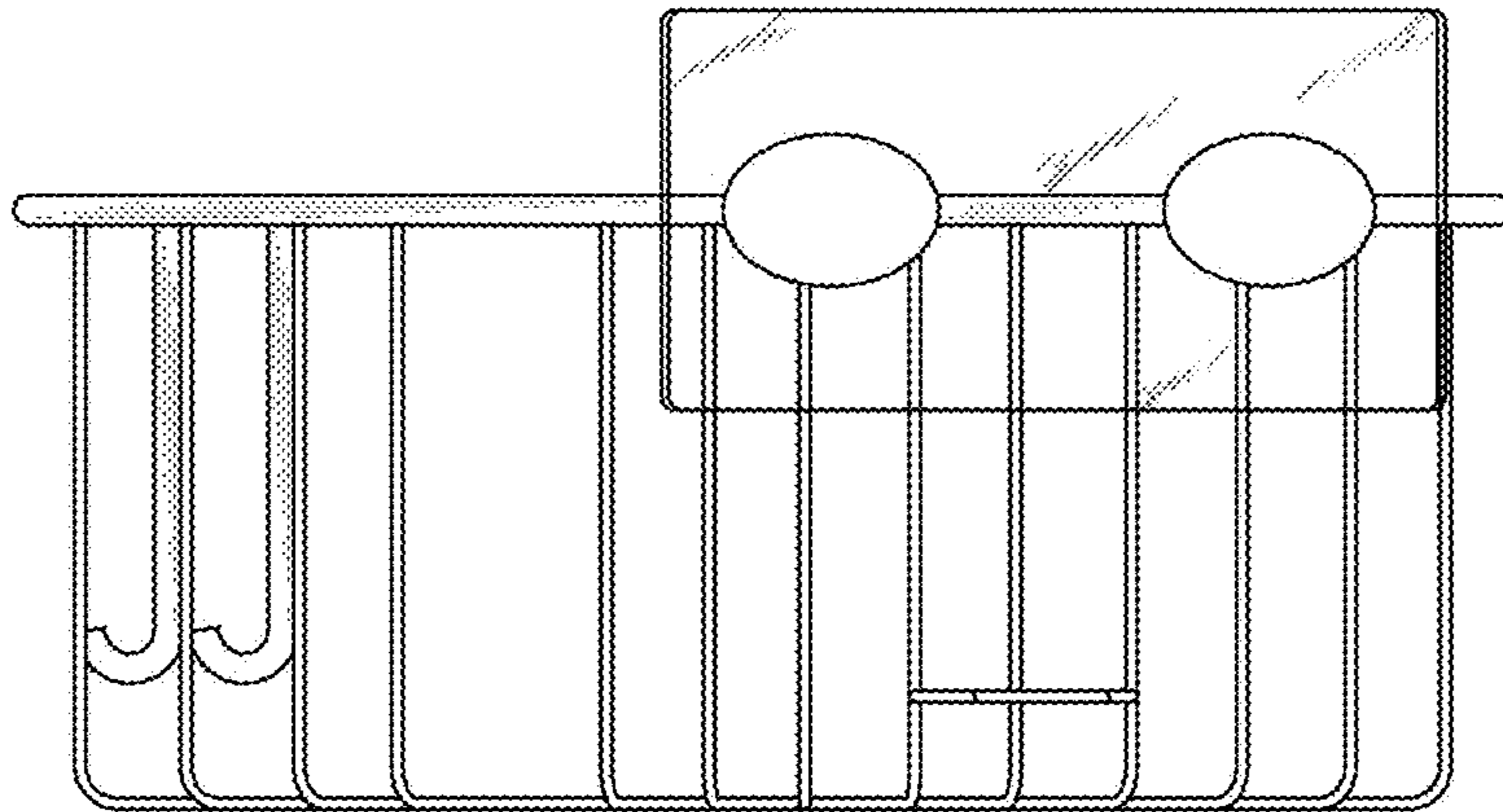


FIG. 5

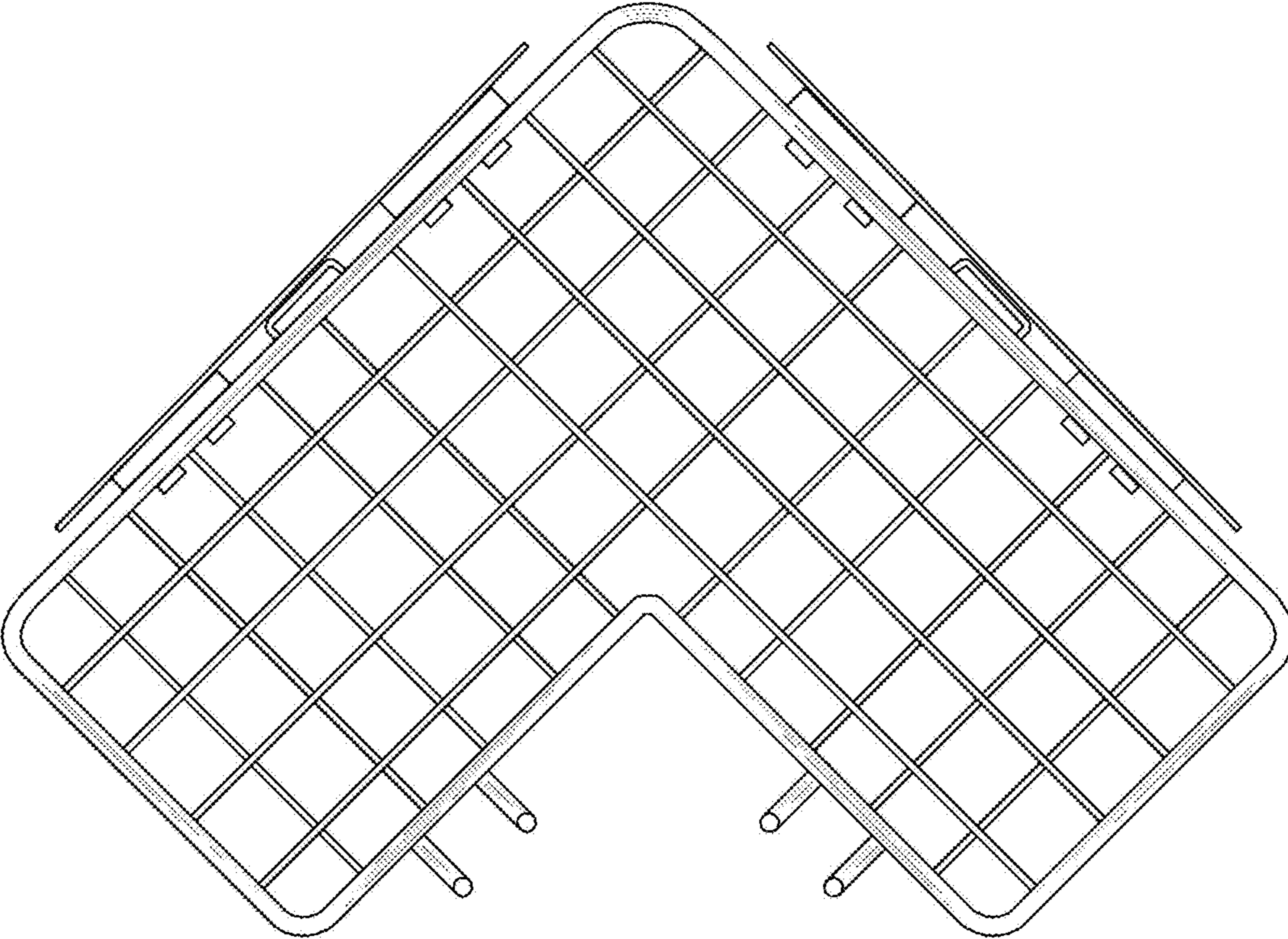


FIG. 6

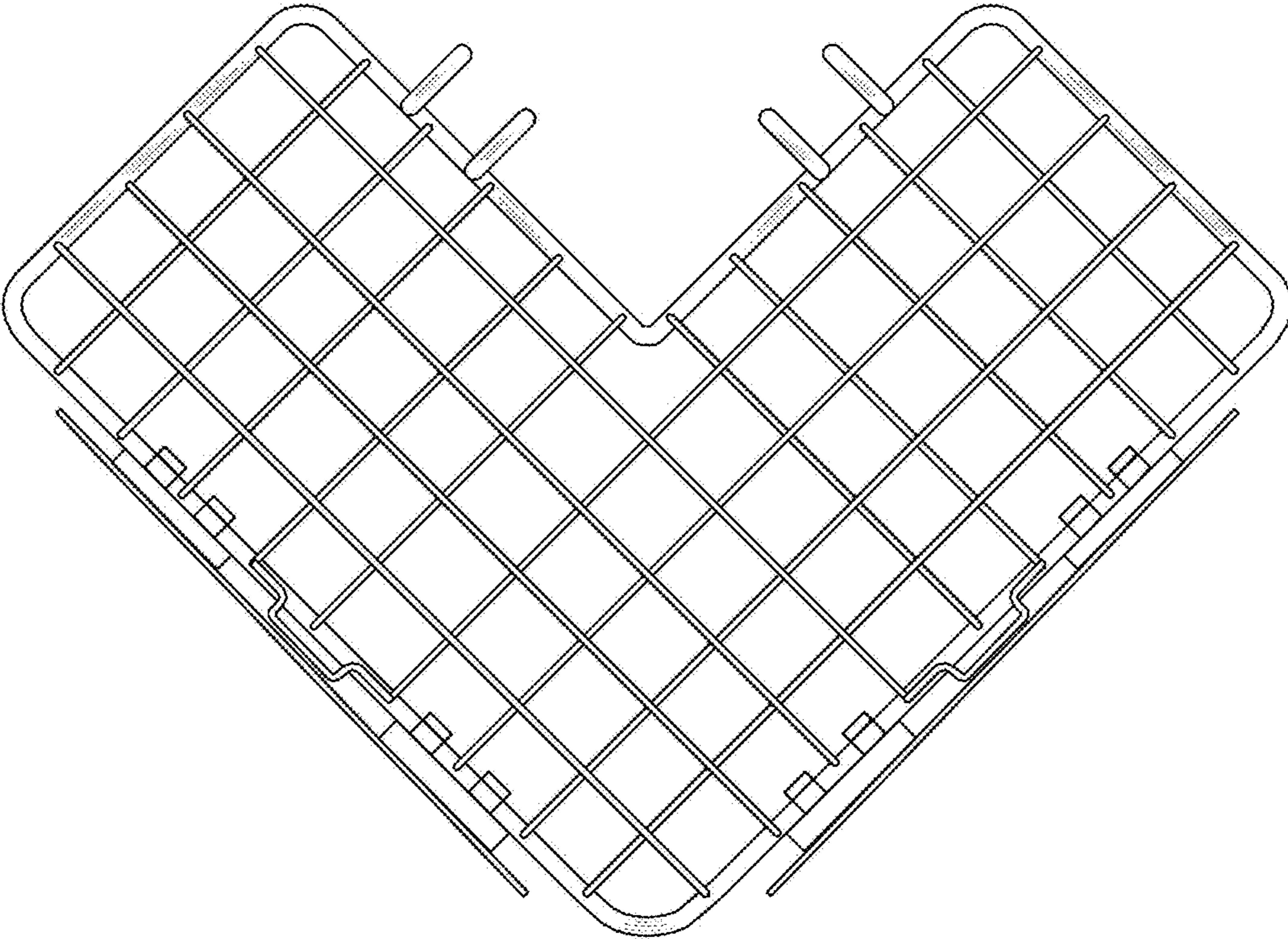


FIG. 7