



US00D907394S

(12) **United States Design Patent**
Murphy et al.

(10) **Patent No.:** **US D907,394 S**
(45) **Date of Patent:** **** Jan. 12, 2021**

- (54) **SIDE SLEEPER**
- (71) Applicant: **SHNUGGLE LTD.**, Newtownards Down (GB)
- (72) Inventors: **Adam Murphy**, Newtownards Down (GB); **Fiona Bennington**, Newtownards (GB)

8,065,766 B1 11/2011 Fierro
 8,522,375 B2 9/2013 Conrad et al.
 D804,217 S * 12/2017 Festa D6/391
 9,986,849 B2 * 6/2018 Sclare A47D 9/00
 D880,186 S * 4/2020 Rodgers D6/390
 2016/0286975 A1 10/2016 Breier
 2017/0251827 A1* 9/2017 Gallina A47D 9/00

* cited by examiner

(73) Assignee: **SHNUGGLE LTD.**

Primary Examiner — Cathron C Brooks

(**) Term: **15 Years**

(74) *Attorney, Agent, or Firm* — Kanika Radhakrishnan; Evergreen Valley Law Group

(21) Appl. No.: **29/679,931**

(57) **CLAIM**

(22) Filed: **Feb. 12, 2019**

The ornamental design for a side sleeper, as shown and described.

(51) **LOC (13) Cl.** **06-02**

DESCRIPTION

(52) **U.S. Cl.**
USPC **D6/390**

(58) **Field of Classification Search**
 USPC D6/331, 390, 391, 718.26
 CPC A47D 7/00; A47D 7/002; A47D 7/005;
 A47D 7/01; A47D 7/02; A47D 7/03;
 A47D 9/00; A47D 9/005; A47D 13/06;
 A47D 13/061; A47D 13/063; A47D
 13/066; A47D 13/068
 See application file for complete search history.

FIG. 1 illustrates a top perspective view of a side sleeper according to the present invention;
 FIG. 2 shows a front view of the side sleeper, including removable top rail and breathable mesh sides, according to the present invention, the front view and a back view of the side sleeper are identical;
 FIG. 3 shows a right side view of the side sleeper, including the removable top rail and the breathable mesh sides, according to the present invention, the right side view and a left side view of the side sleeper are identical;
 FIG. 4 depicts a top view of the side sleeper according to the present invention;
 FIG. 5 shows a bottom view of the side sleeper according to the present invention; and,
 FIG. 6 illustrates a bottom perspective view of the side sleeper according to the present invention.

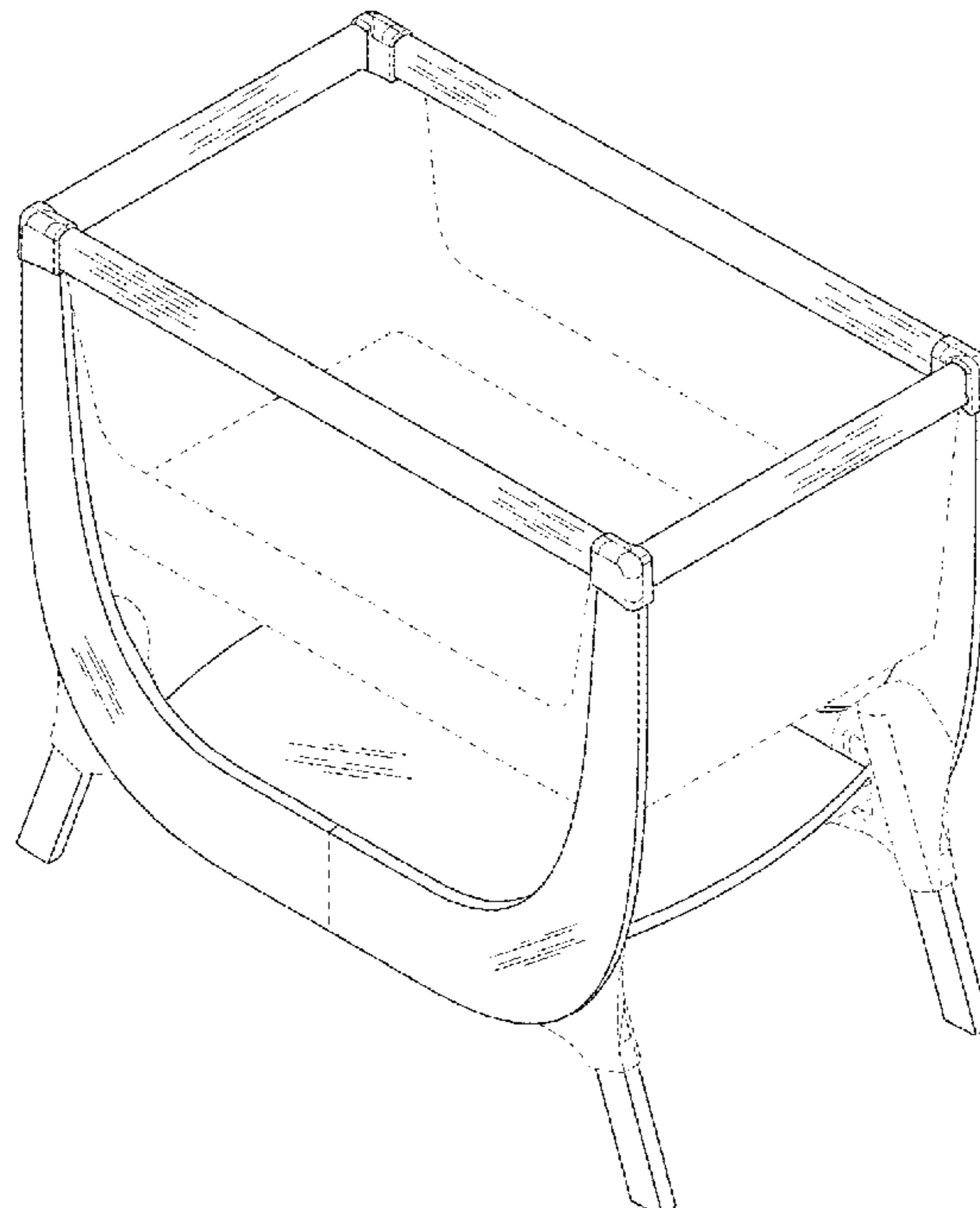
The broken lines in the drawings illustrate portions of the side sleeper that form no part of the claimed design.

(56) **References Cited**

U.S. PATENT DOCUMENTS

- 2,964,762 A * 12/1960 Reynolds A47D 9/04
5/109
- 5,189,748 A 3/1993 Garrison et al.
- D566,998 S * 4/2008 Troutman D6/331
- D576,438 S 9/2008 Peart
- D616,216 S * 5/2010 Dumais D6/390
- D616,665 S * 6/2010 Dumais D6/390

1 Claim, 6 Drawing Sheets



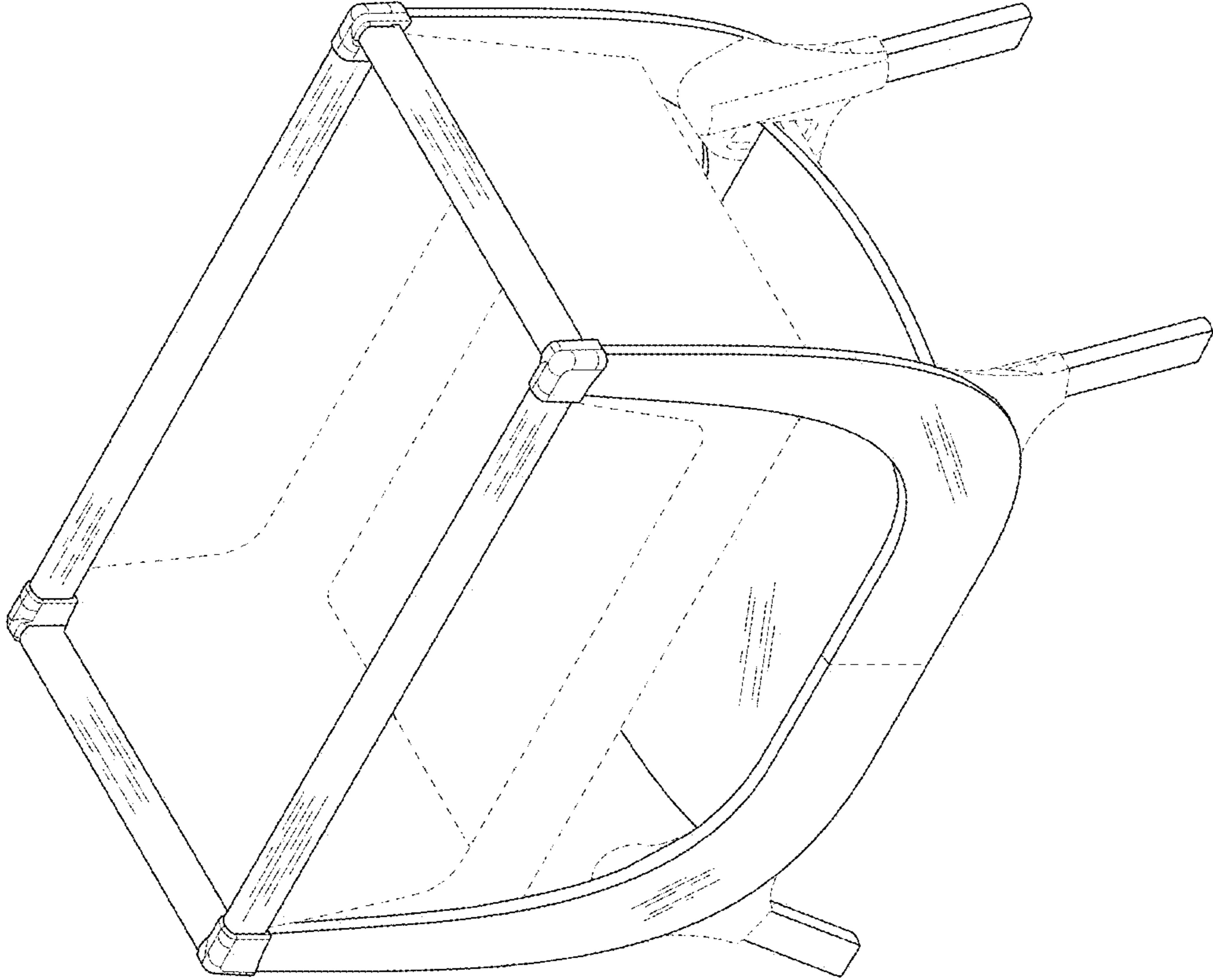


FIG. 1

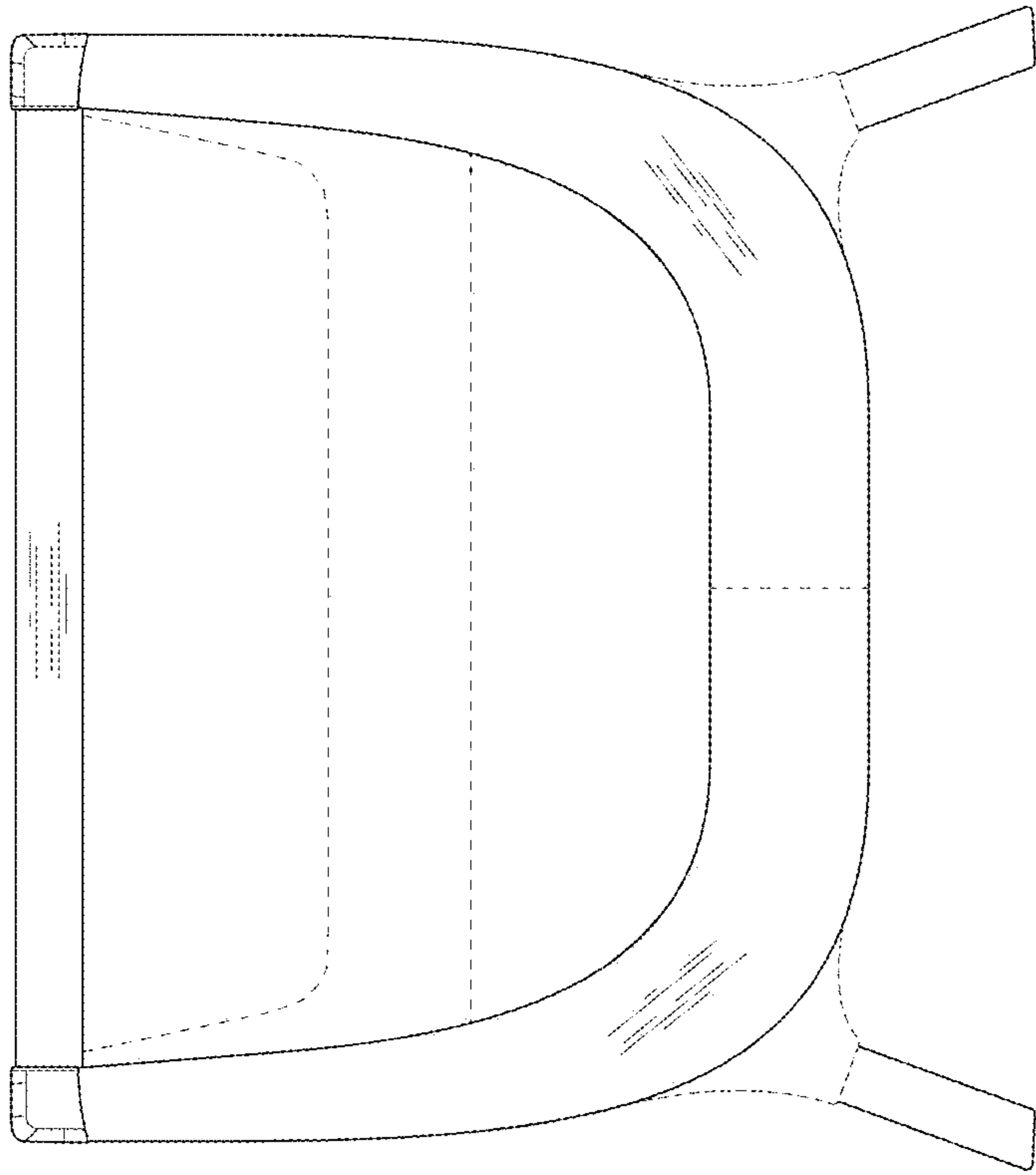


FIG. 2

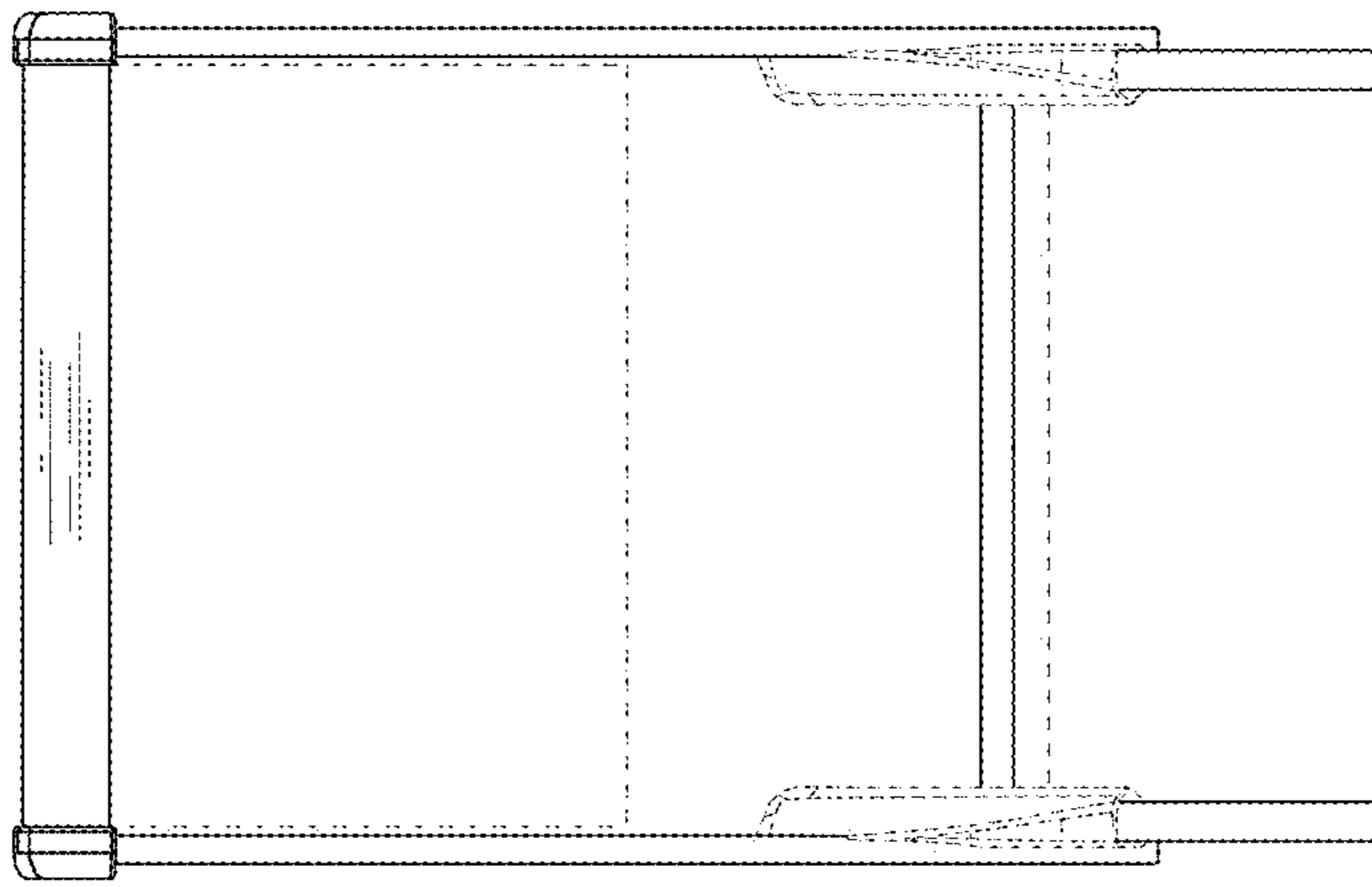


FIG. 3

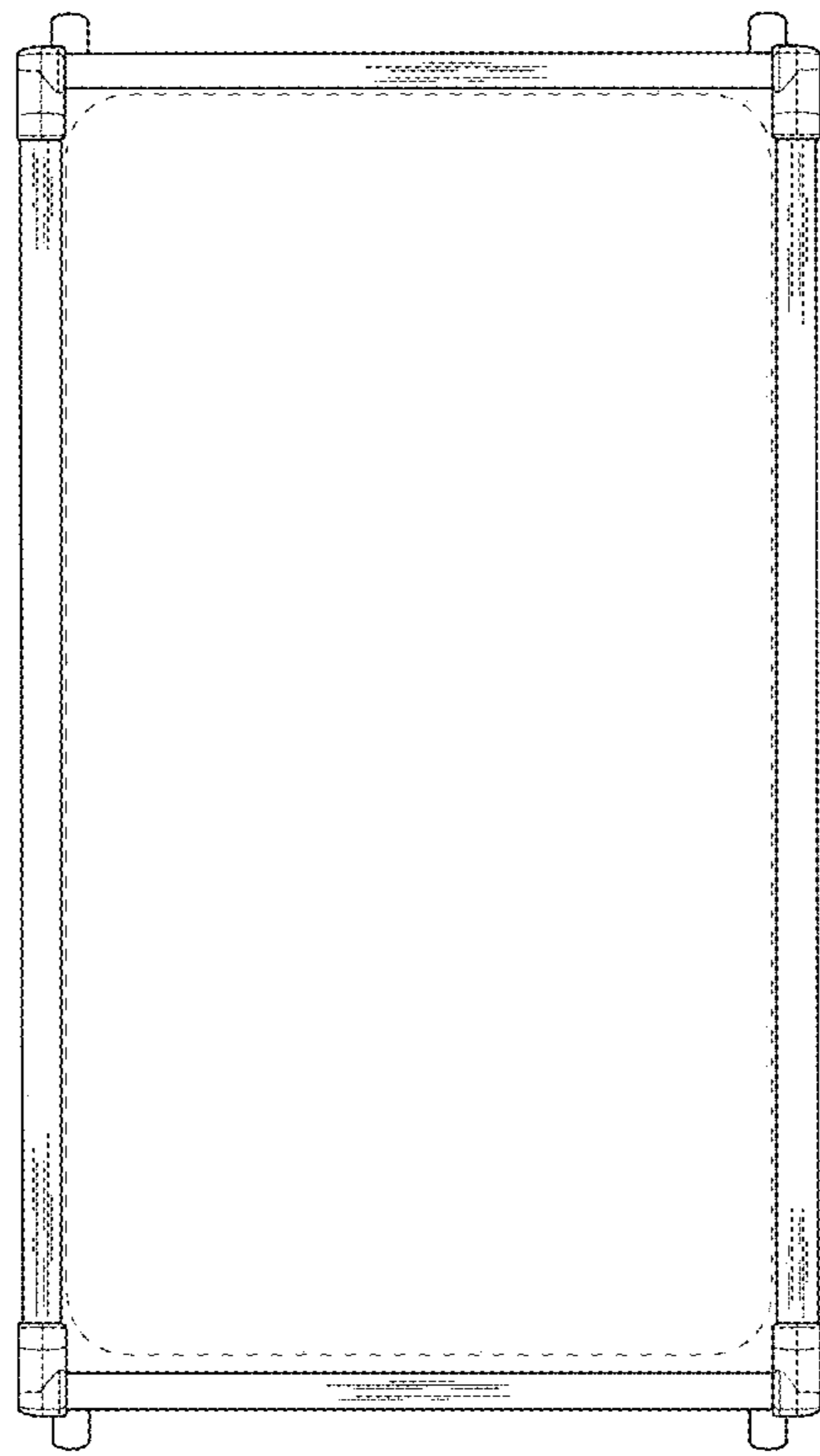


FIG. 4

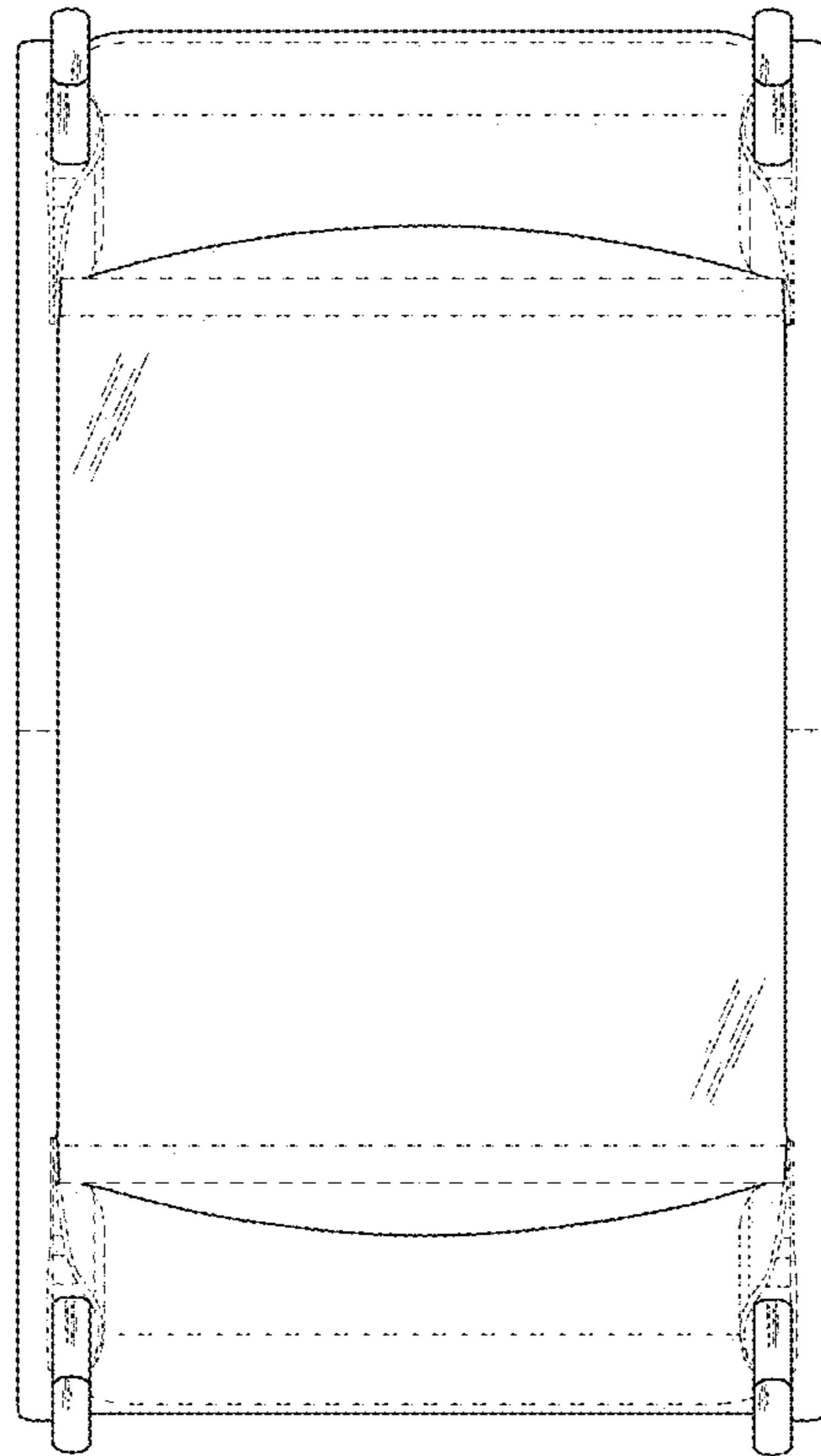


FIG. 5

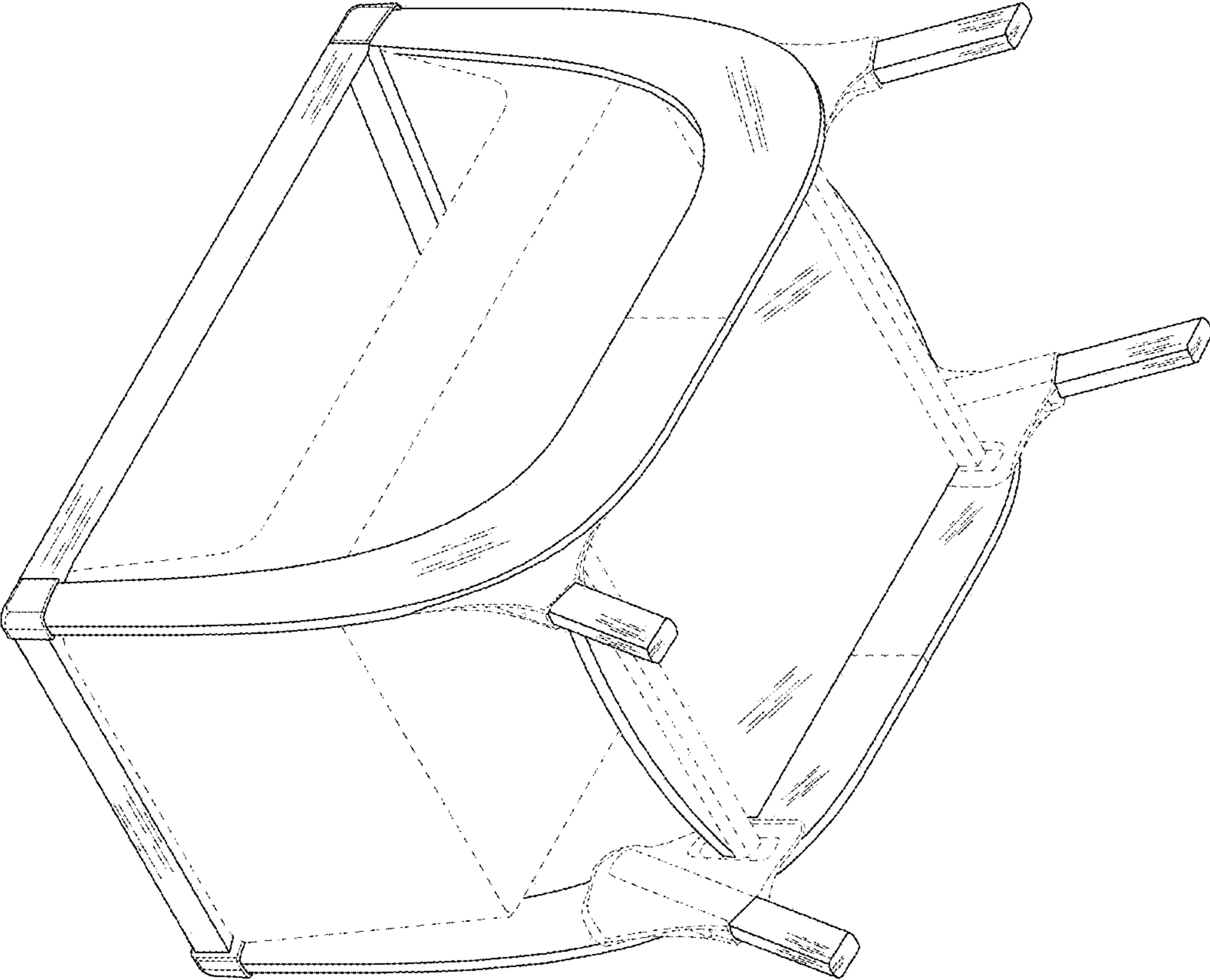


FIG. 6