

US00D907391S

(12) **United States Design Patent**
Koh

(10) **Patent No.:** **US D907,391 S**
(45) **Date of Patent:** **** Jan. 12, 2021**

(54) **CHAIR**
(71) Applicant: **Tuang-Hock Koh**, Taichung (TW)
(72) Inventor: **Tuang-Hock Koh**, Taichung (TW)
(73) Assignee: **HARVEST-EXCEL INTERNATIONAL PTE. LTD.**

3,471,199 A * 10/1969 Kuhlmann A47C 4/028
297/411.41
3,565,486 A * 2/1971 Channon A47C 16/005
297/451.11
3,574,400 A * 4/1971 Day A47C 3/12
297/452.14
D220,950 S * 6/1971 Sideri D6/372
(Continued)

(**) Term: **15 Years**

OTHER PUBLICATIONS

(21) Appl. No.: **29/700,042**

“HAY AAC 22 Dining Chair” Apr. 29, 2016, clippings.com, site visited Aug. 11, 2020 <<https://clippings.com/dining-chairs>> (Year: 2016).*

(22) Filed: **Jul. 31, 2019**

(51) **LOC (13) Cl.** **06-01**

(52) **U.S. Cl.**
USPC **D6/375**

Primary Examiner — Kevin K Rudzinski
Assistant Examiner — Paul D Bohannon

(58) **Field of Classification Search**
USPC D6/333, 334, 341, 348, 349, 350, 352,
D6/353, 360, 364, 369, 370, 371, 373,
D6/374, 375, 376, 377, 379, 380, 390,
D6/677, 692, 700, 708, 708.16, 716, 363;
D16/237; D21/412, 419, 521
CPC A47C 1/124; A47C 3/34; A47C 4/028;
A47C 4/02; A47C 5/12; A47C 5/125;
A47C 7/506; A47C 9/007; A47C 13/005;
A47C 13/023; A47C 31/113; B60R
2/0284; B60R 2/062; B60R 22/001; B60R
22/24; B60R 22/28; B60R 22/58; B60R
22/64; B60R 22/68; B60R 22/80; B60R
22/99; B60R 22/245; B60R 22/643; B60R
22/646; B60R 22/665; B60R 22/686;
B60R 22/688; B60R 22/803; B60R
22/986; B60R 22/914; B60R 22/995

(57) **CLAIM**

The ornamental design for a chair, as shown and described.

See application file for complete search history.

DESCRIPTION

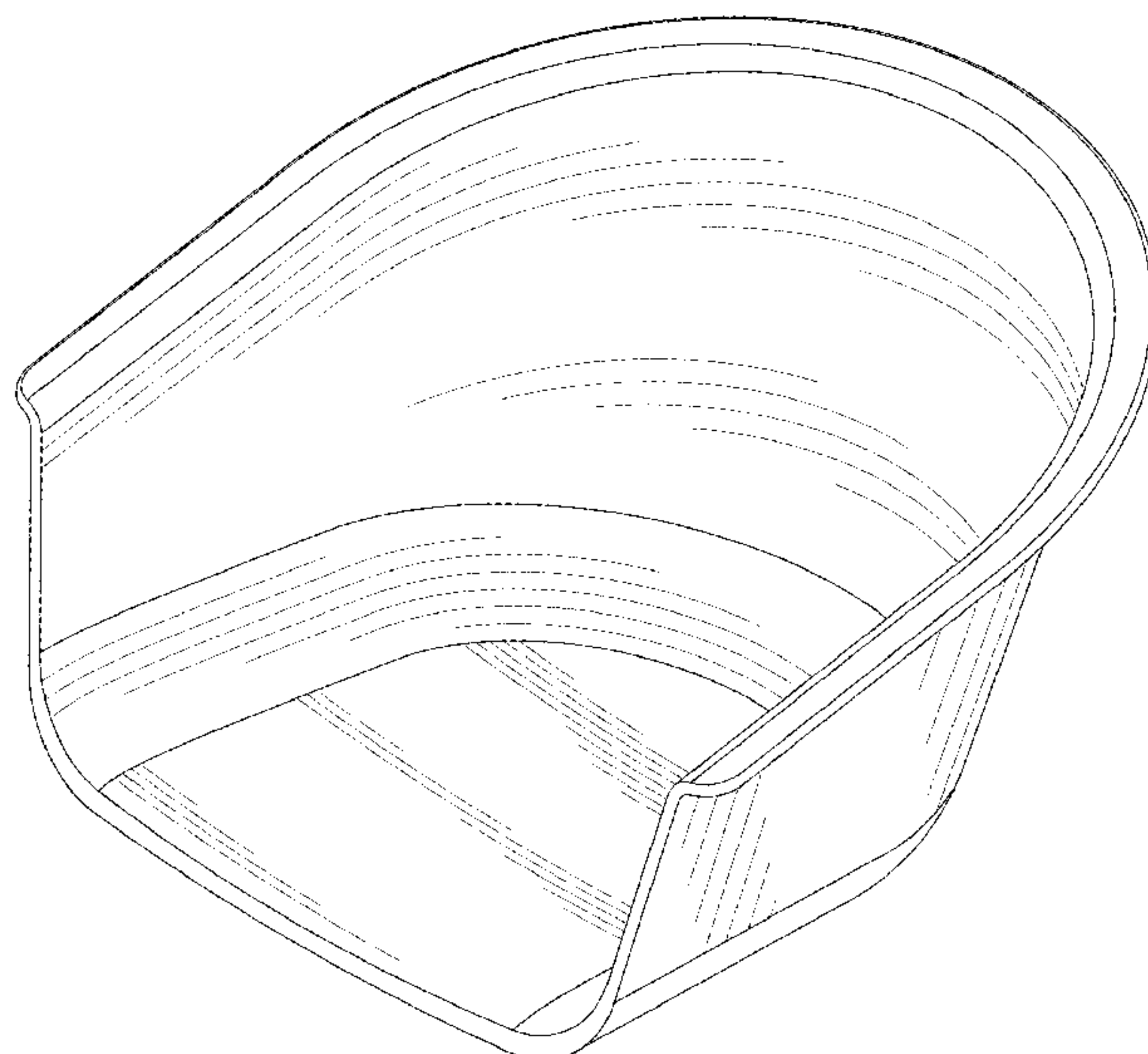
FIG. 1 is a front-right-top perspective view of a first embodiment of the chair showing my new design;
FIG. 2 is a front elevational view thereof;
FIG. 3 is a rear elevational view thereof;
FIG. 4 is a left side elevational view thereof;
FIG. 5 is a right side elevational view thereof;
FIG. 6 is a top plan view thereof;
FIG. 7 is a bottom plan view thereof; and
FIG. 8 is a front-right-top perspective view of a second embodiment of the chair with inverted Y-shaped chair legs;
FIG. 9 is a front-right-top perspective view of a third embodiment of the chair with two curved bands attached to the bottom of the legs; and,
FIG. 10 is a front-right-top perspective view of a fourth embodiment of the chair with U-shaped chair legs.
The broken lines in the FIGS. 1-10 illustrate portions of the chair which form no part of the claimed design.

(56) **References Cited**

U.S. PATENT DOCUMENTS

3,043,627 A * 7/1962 Torjusen A47C 5/125
297/452.14
3,281,185 A * 10/1966 Albinson A47C 7/185
297/452.14

1 Claim, 10 Drawing Sheets



(56)

References Cited

U.S. PATENT DOCUMENTS

D225,599	S	*	12/1972	Hutchinson	D6/363
D393,956	S	*	5/1998	Kane	D6/334
D532,617	S	*	11/2006	Frinier	D6/334
D539,551	S	*	4/2007	Ovesen	D6/334
D656,755	S	*	4/2012	Wanders	D6/375
D684,788	S	*	6/2013	Diez	D6/375
D706,053	S	*	6/2014	Schwamkrug	D6/380
D742,673	S	*	11/2015	Dorigo	D6/716
D742,675	S	*	11/2015	Morrison	D6/716
D743,711	S	*	11/2015	Lissoni	D6/375
D746,609	S	*	1/2016	Lievore	D6/375
D798,068	S	*	9/2017	Iqbal	D6/334
D798,617	S	*	10/2017	Iqbal	D6/334
D799,232	S	*	10/2017	Cvek	D6/375
D799,233	S	*	10/2017	Cvek	D6/375
D802,310	S	*	11/2017	Rockwell	D6/334
D807,066	S	*	1/2018	Vance	D6/334
D808,182	S	*	1/2018	Baron	D6/334
D820,625	S	*	6/2018	Steinmeijer	D6/716
D825,216	S	*	8/2018	Schaeffer	D6/375
D836,360	S	*	12/2018	Novak	D6/375
D853,742	S	*	7/2019	Novak	D6/360
D869,188	S	*	12/2019	Parker	D6/375
D885,774	S	*	6/2020	Bonneywell	D6/334
D886,485	S	*	6/2020	Li	D6/375
2013/0127224	A1	*	5/2013	Chiu	A47C 5/12 297/452.14

* cited by examiner

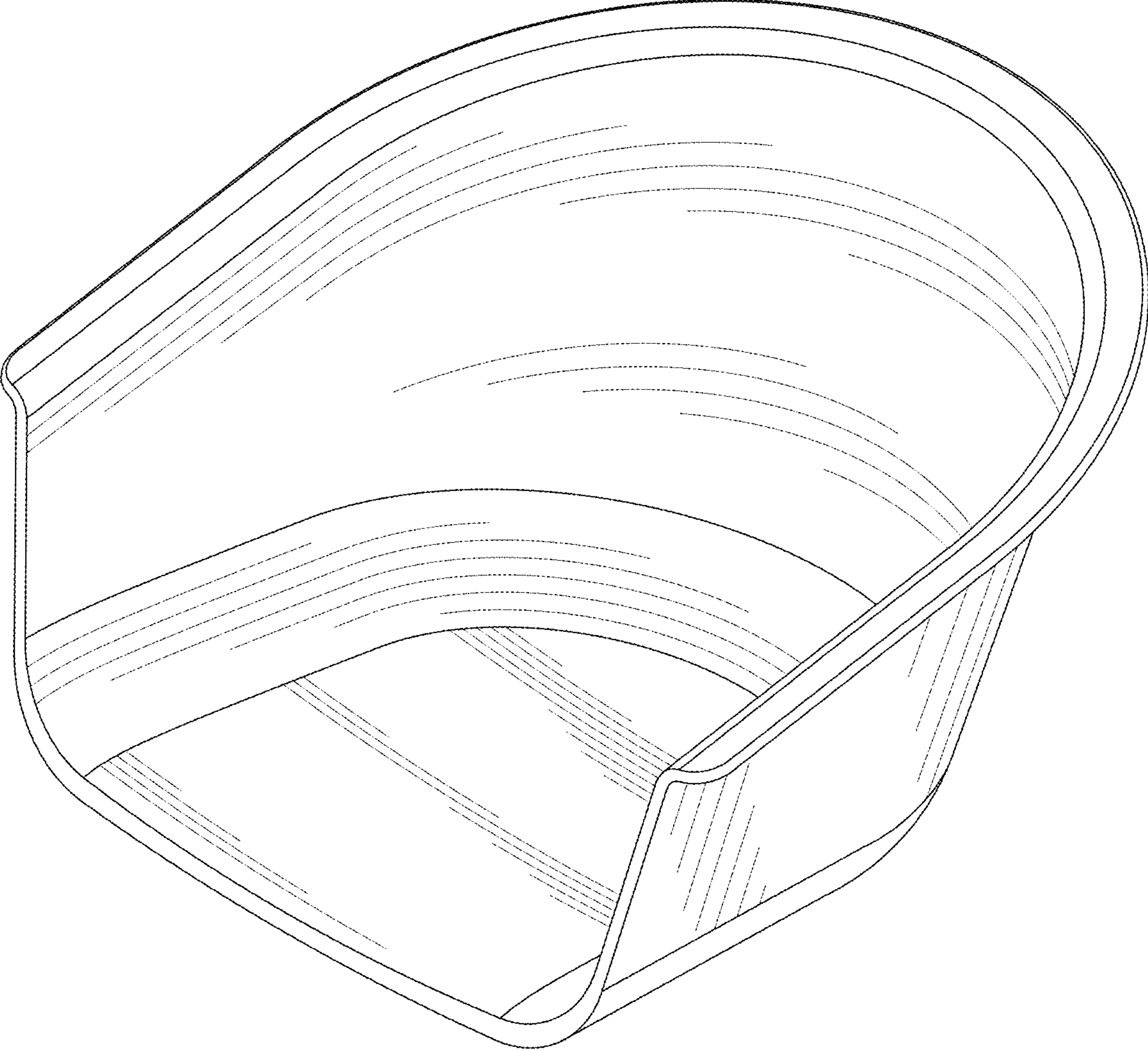


FIG.1

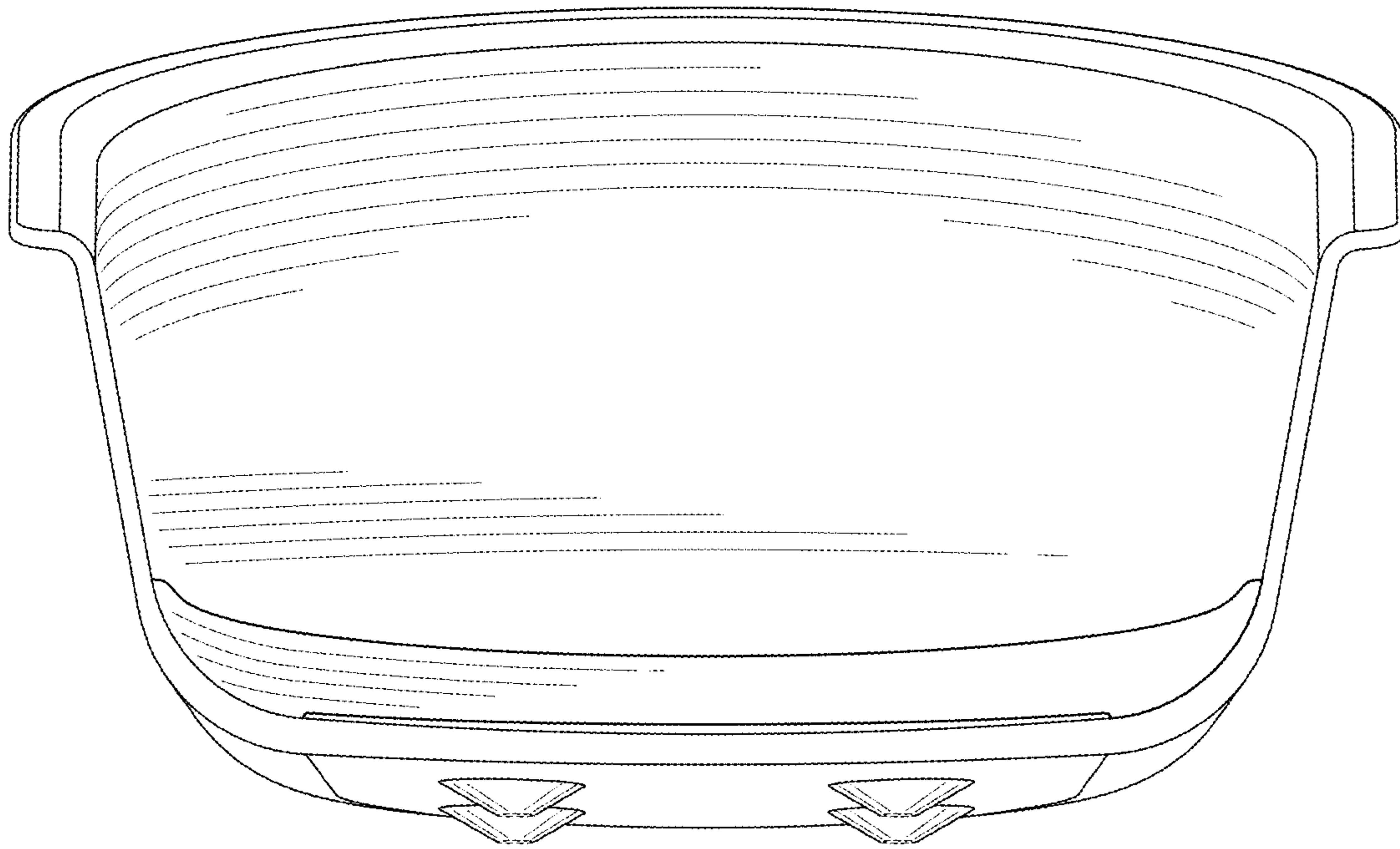


FIG.2

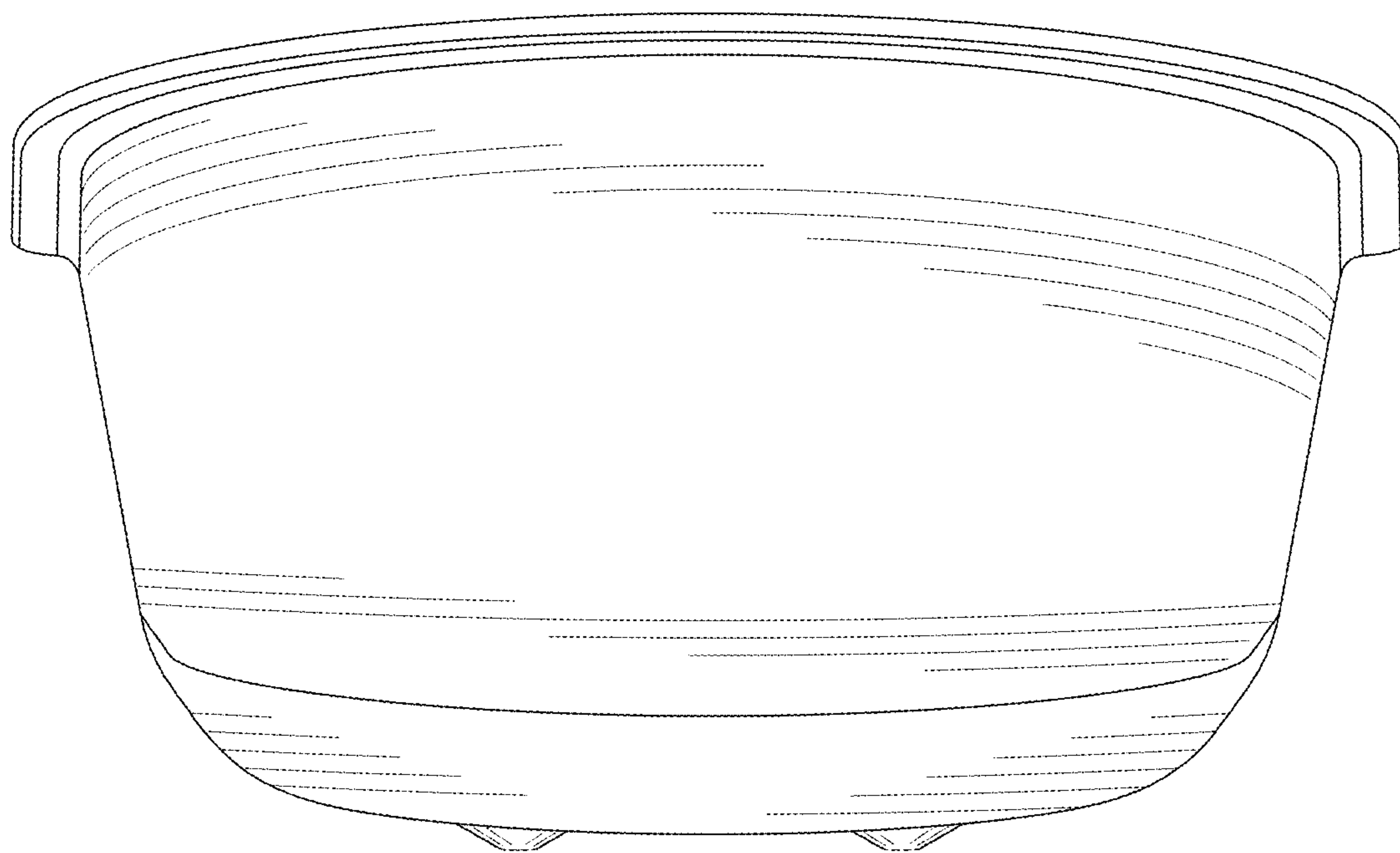


FIG.3

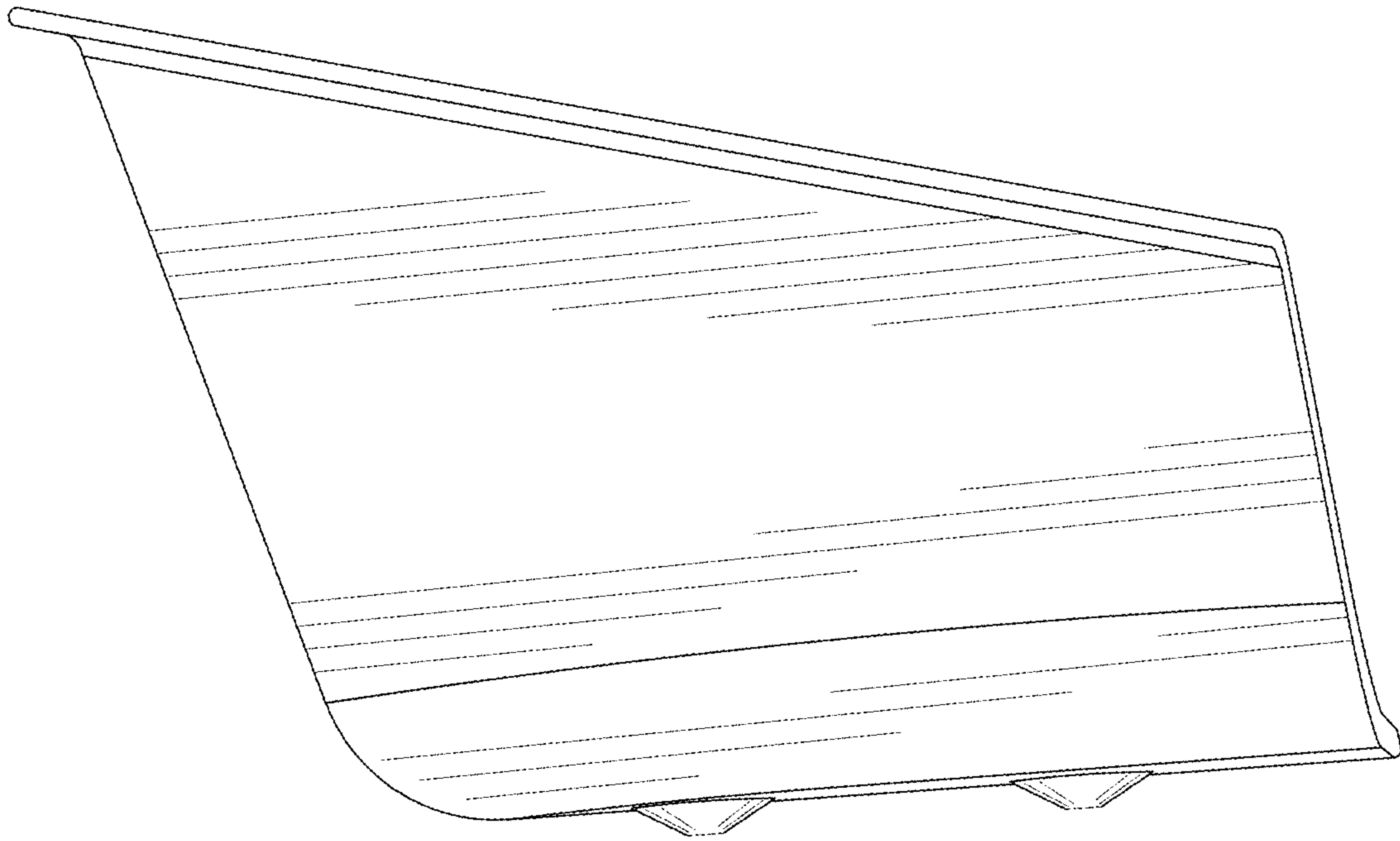


FIG.4

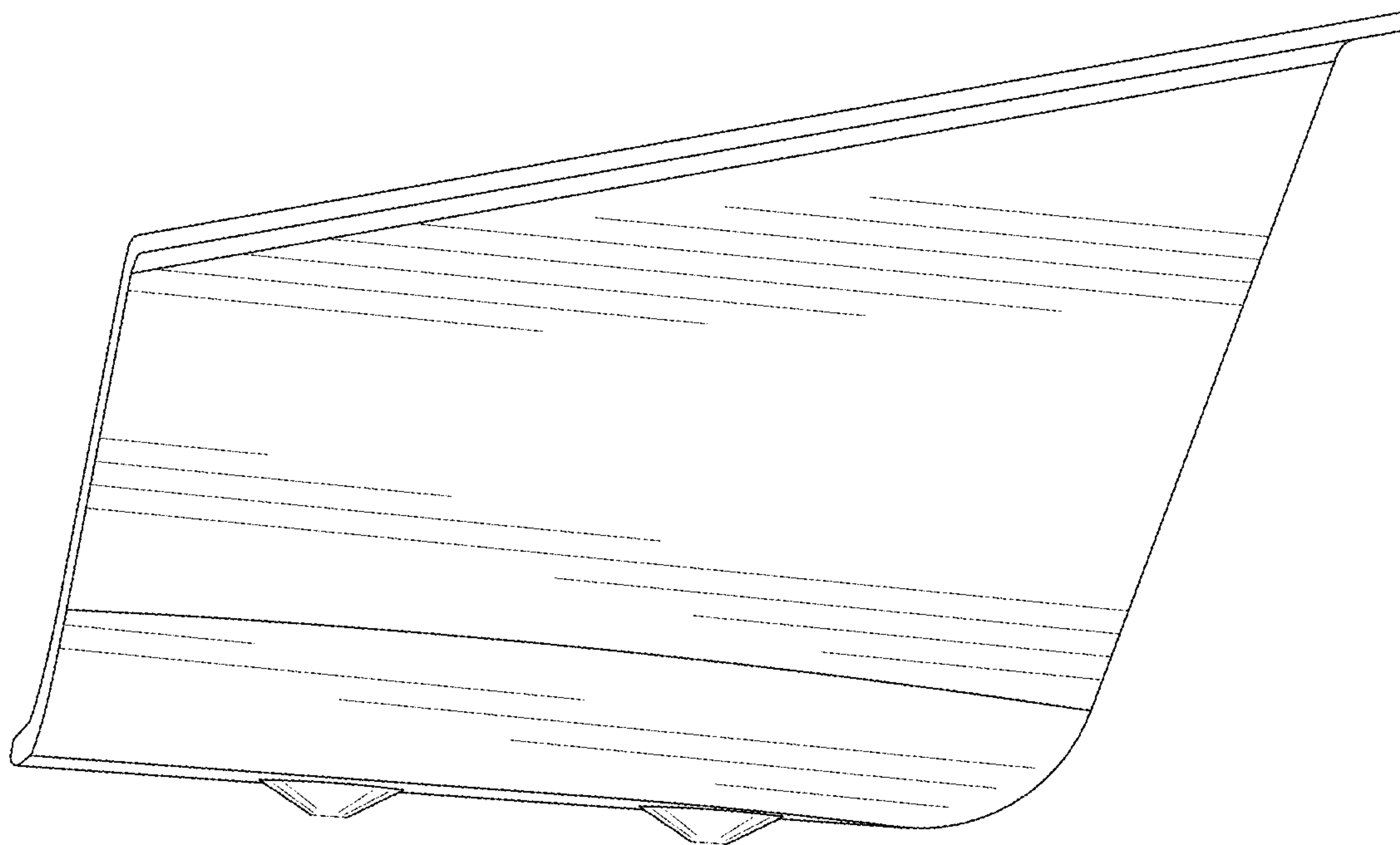


FIG.5

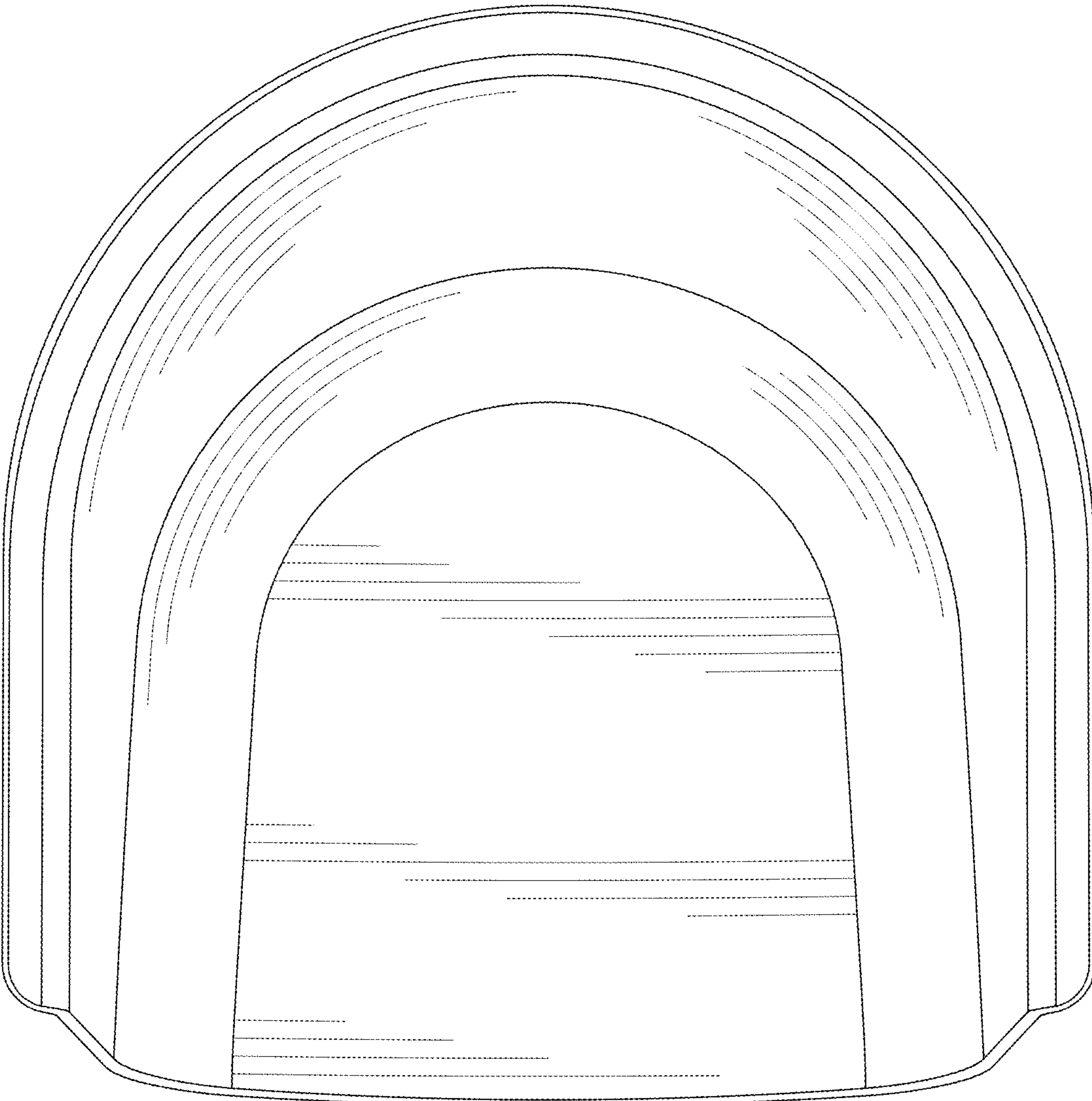


FIG.6

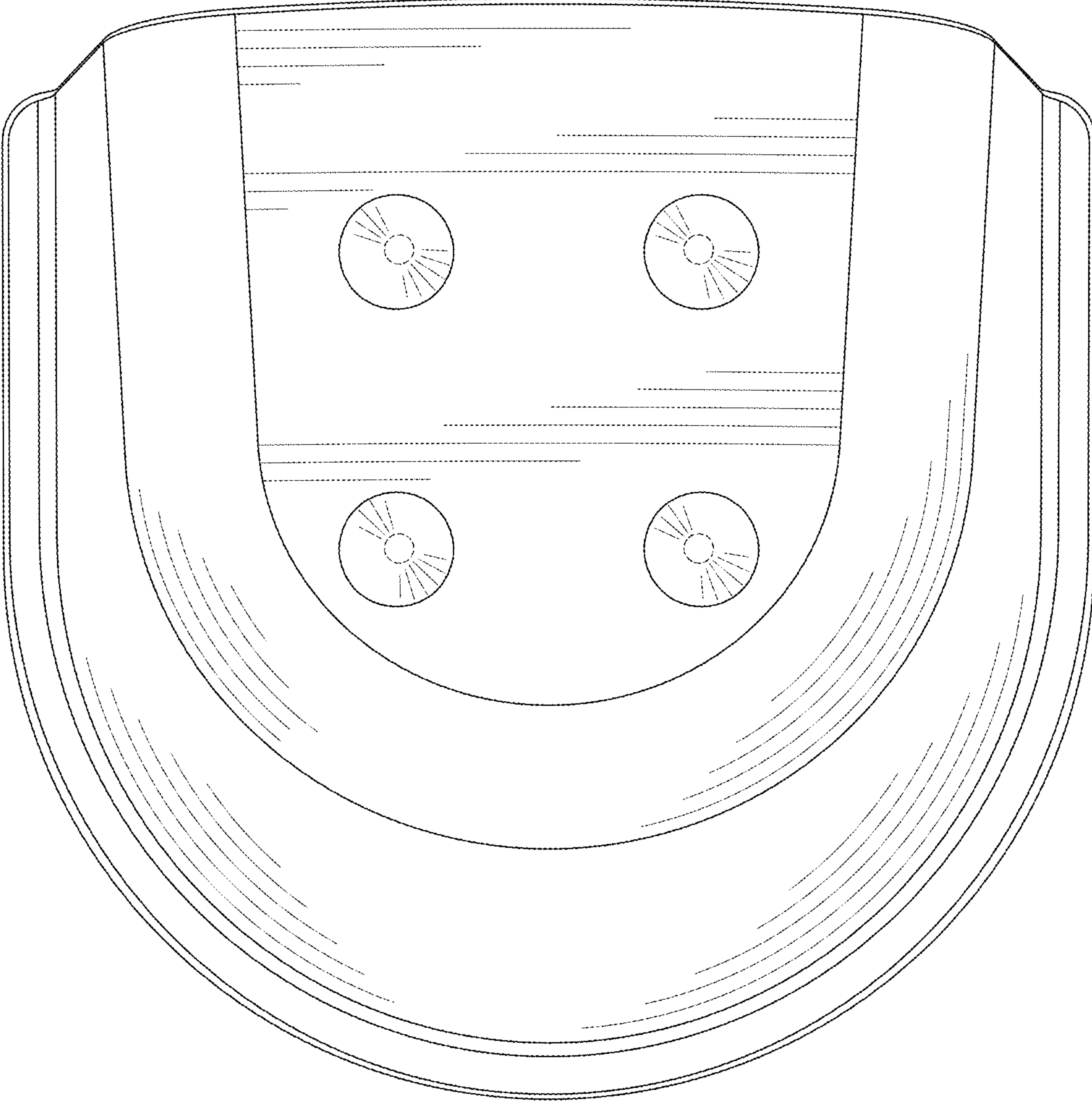


FIG.7

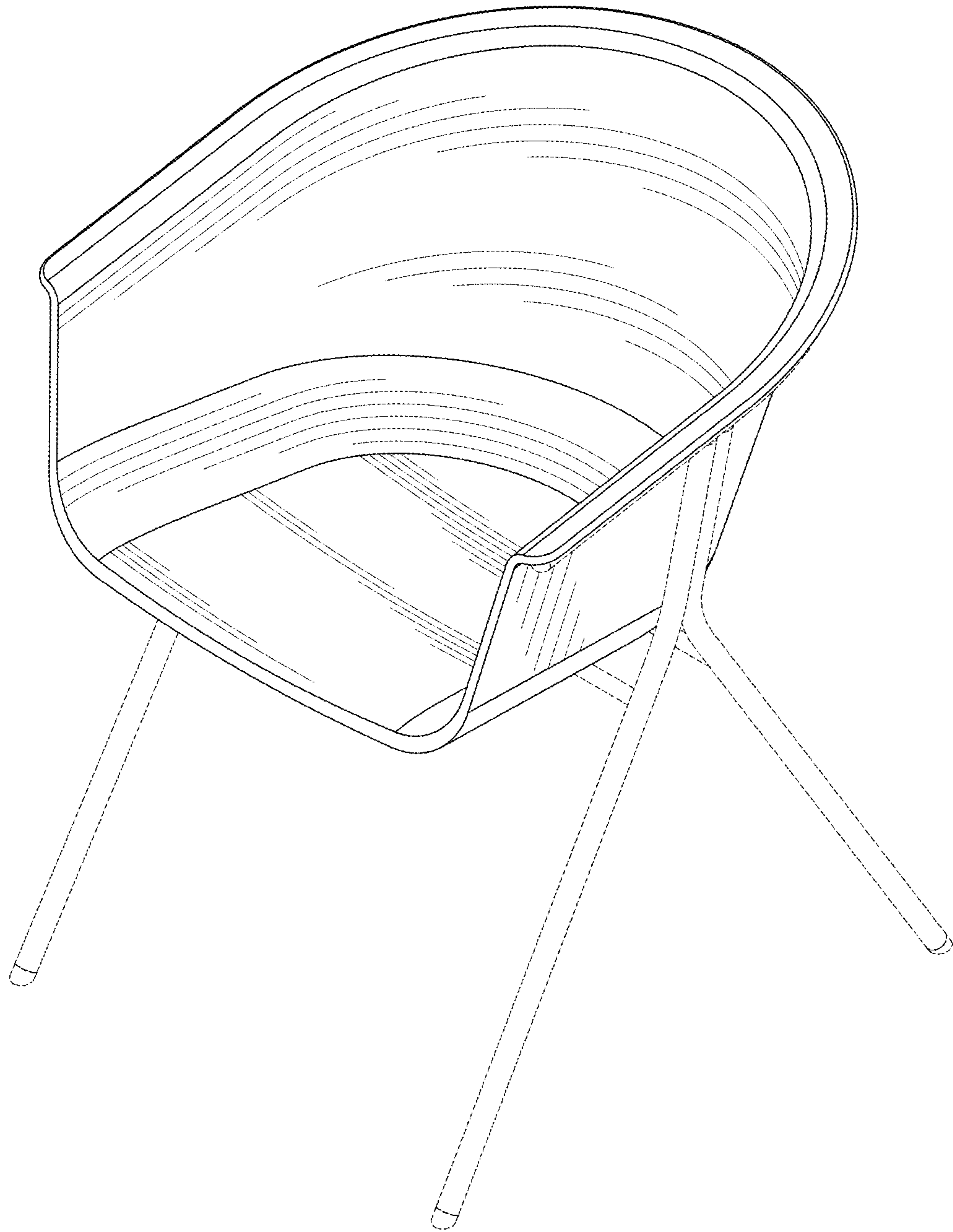


FIG.8

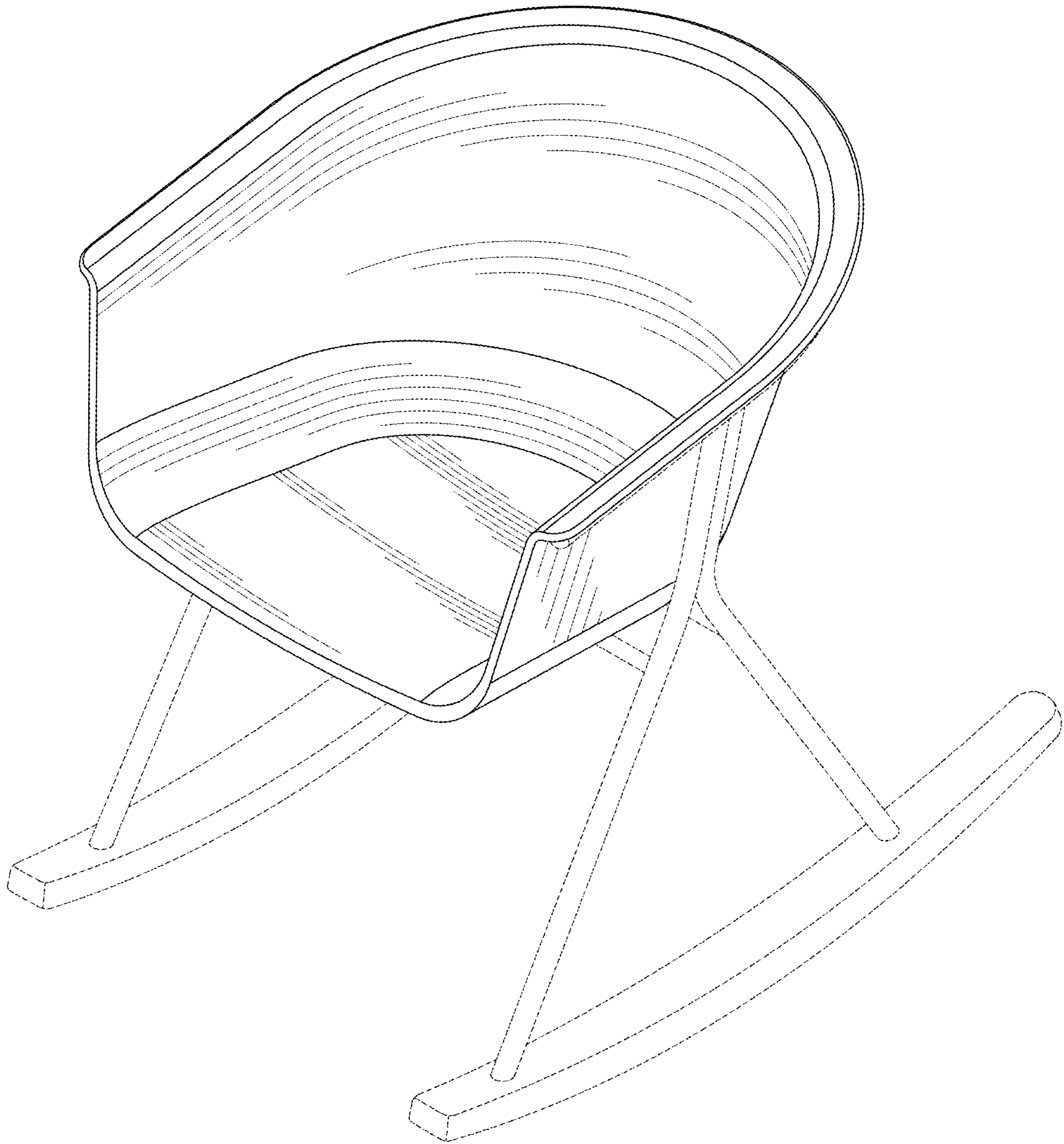


FIG.9

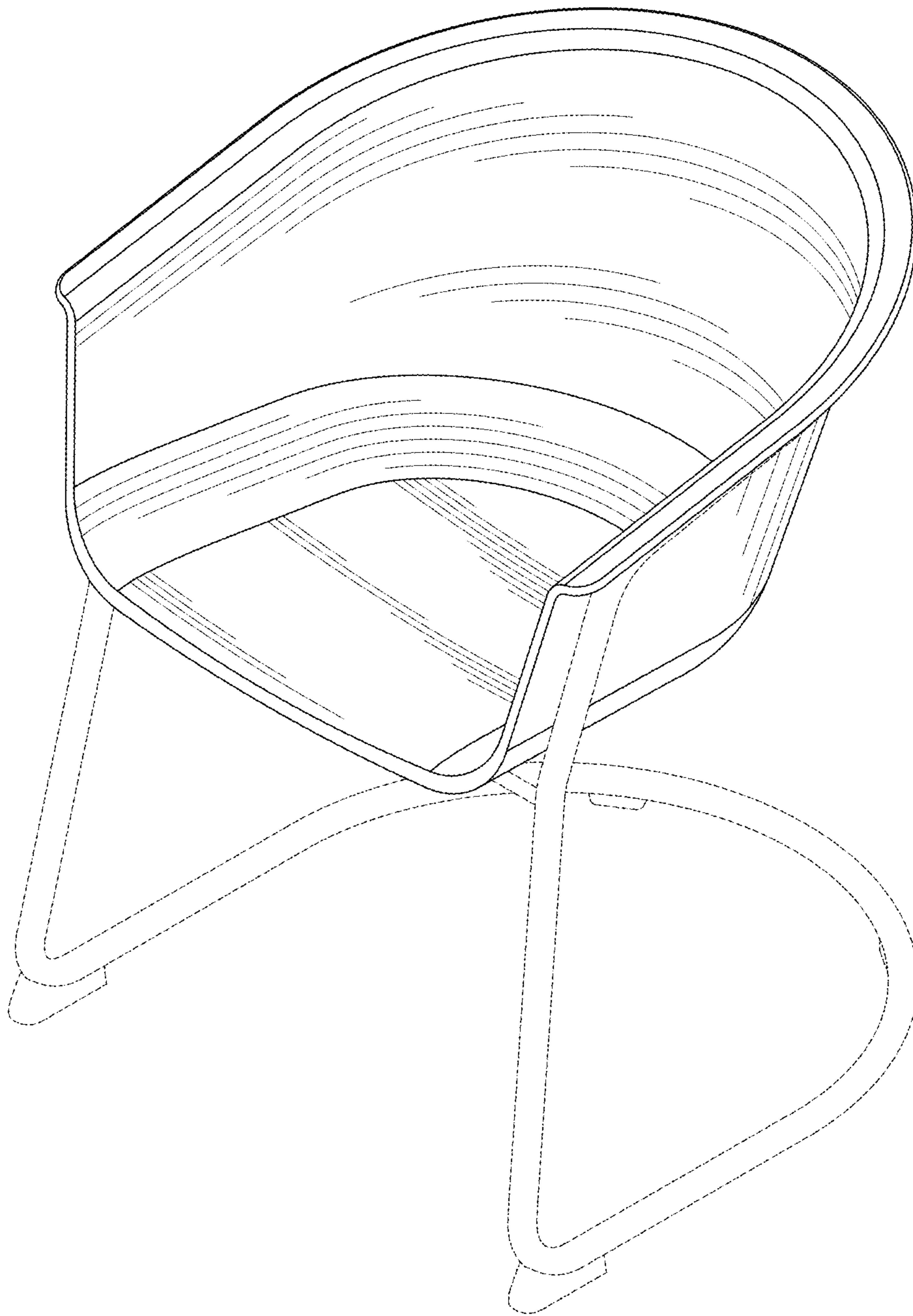


FIG.10