



US00D907390S

(12) **United States Design Patent** (10) **Patent No.:** **US D907,390 S**
Morrison (45) **Date of Patent:** **** Jan. 12, 2021**

(54) **CHAIR**

(71) Applicants: **Maruni Wood Industry Inc.**,
Hiroshima (JP); **Jasper Morrison**,
London (GB)

(72) Inventor: **Jasper Morrison**, London (GB)

(73) Assignee: **MARUNI WOOD INDUSTRY INC.**,
Hiroshima (JP)

(**) Term: **15 Years**

(21) Appl. No.: **29/708,166**

(22) Filed: **Oct. 3, 2019**

(30) **Foreign Application Priority Data**

Apr. 5, 2019 (JP) 2019-007502

(51) **LOC (13) Cl.** **06-01**

(52) **U.S. Cl.**
USPC **D6/374**

(58) **Field of Classification Search**
USPC D6/333, 334, 341, 348, 349, 350, 352,
D6/353, 360, 364, 369, 370, 371, 373,
D6/374, 375, 376, 377, 379, 380, 390,
D6/677, 692, 700, 708, 708.16, 716, 366;
D16/237; D21/412, 419, 521

CPC A47C 1/124; A47C 3/34; A47C 4/028;
A47C 4/02; A47C 5/12; A47C 5/125;
A47C 7/506; A47C 9/007; A47C 13/005;
A47C 13/023; A47C 31/113; A47C 3/00;
A47C 4/08; A47C 4/00; A47C 7/70;
A47C 7/405; A47C 13/00; B60R 2/0284;
B60R 2/062; B60R 22/001; B60R 22/24;
B60R 22/28; B60R 22/58; B60R 22/64;
B60R 22/68; B60R 22/80; B60R 22/99;
B60R 22/245; B60R 22/643; B60R
22/646; B60R 22/665; B60R 22/686;
B60R 22/688; B60R 22/803; B60R
22/986; B60R 22/914; B60R 22/995;

(Continued)

(56) **References Cited**

U.S. PATENT DOCUMENTS

D190,955 S * 7/1961 Galloway D6/374
3,201,172 A * 8/1965 Bliss A47C 3/12
297/448.1
D456,631 S * 5/2002 Giordano D6/374
(Continued)

FOREIGN PATENT DOCUMENTS

JP 1618505 10/2018
JP 1653221 2/2020

OTHER PUBLICATIONS

JP 2019-007502, Notification dated Dec. 20, 2019, 2 pages—
Japanese, 2 pages—English.

(Continued)

Primary Examiner — Kevin K Rudzinski

Assistant Examiner — Paul D Bohannon

(74) *Attorney, Agent, or Firm* — Andrew F. Young, Esq.;
Nolte Lackenbach Siegel

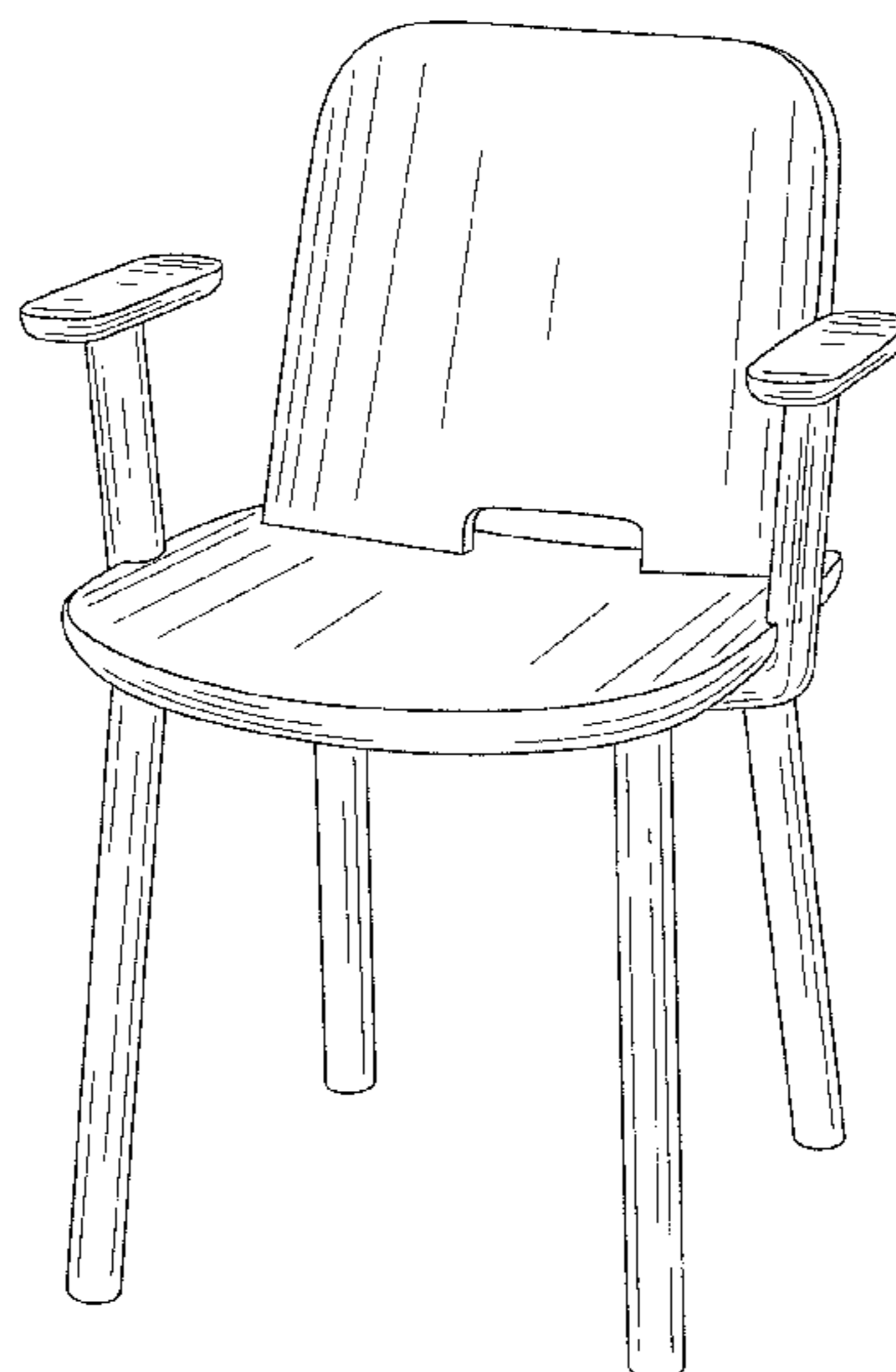
(57) **CLAIM**

The ornamental design for a chair, as shown and described.

DESCRIPTION

FIG. 1 is a front perspective view of the present invention.
FIG. 2 is a bottom perspective view of FIG. 1.
FIG. 3 is a rear perspective view of FIG. 1.
FIG. 4 is a front elevation view of FIG. 1.
FIG. 5 is a rear elevation view of FIG. 1.
FIG. 6 is a left side view of FIG. 1.
FIG. 7 is a right side view of FIG. 1.
FIG. 8 is a top view of FIG. 1.
FIG. 9 is a bottom plan view of FIG. 1; and,
FIG. 10 is a cross-sectional view of FIG. 4.

1 Claim, 10 Drawing Sheets



(58) **Field of Classification Search**

CPC A47B 83/02; A47B 83/023; A47B 83/024;
A47B 85/04

See application file for complete search history.

(56) **References Cited**

U.S. PATENT DOCUMENTS

D468,918 S *	1/2003	de Blois	D6/360
D600,035 S *	9/2009	Olano Jauregui	D6/375
D778,657 S *	2/2017	Morrison	D6/716
D807,091 S *	1/2018	Morrison	D6/716
D863,805 S *	10/2019	Jones	D6/374
D866,212 S *	11/2019	Morrison	D6/374
D889,863 S *	7/2020	Carter	D6/360
D893,912 S *	8/2020	Wang	D6/375
D899,119 S *	10/2020	Velez	D6/360

OTHER PUBLICATIONS

Shoten Kenchiku (Jan. 1, 2019) vol. 64, No. 1, 49th page, Shop & Showroom Guide Book 2019, pp. 1-4.

KR 30-2019-0047371, Office Action dated Jun. 24, 2020, 6 pages—Korean, 7 pages—English.

* cited by examiner

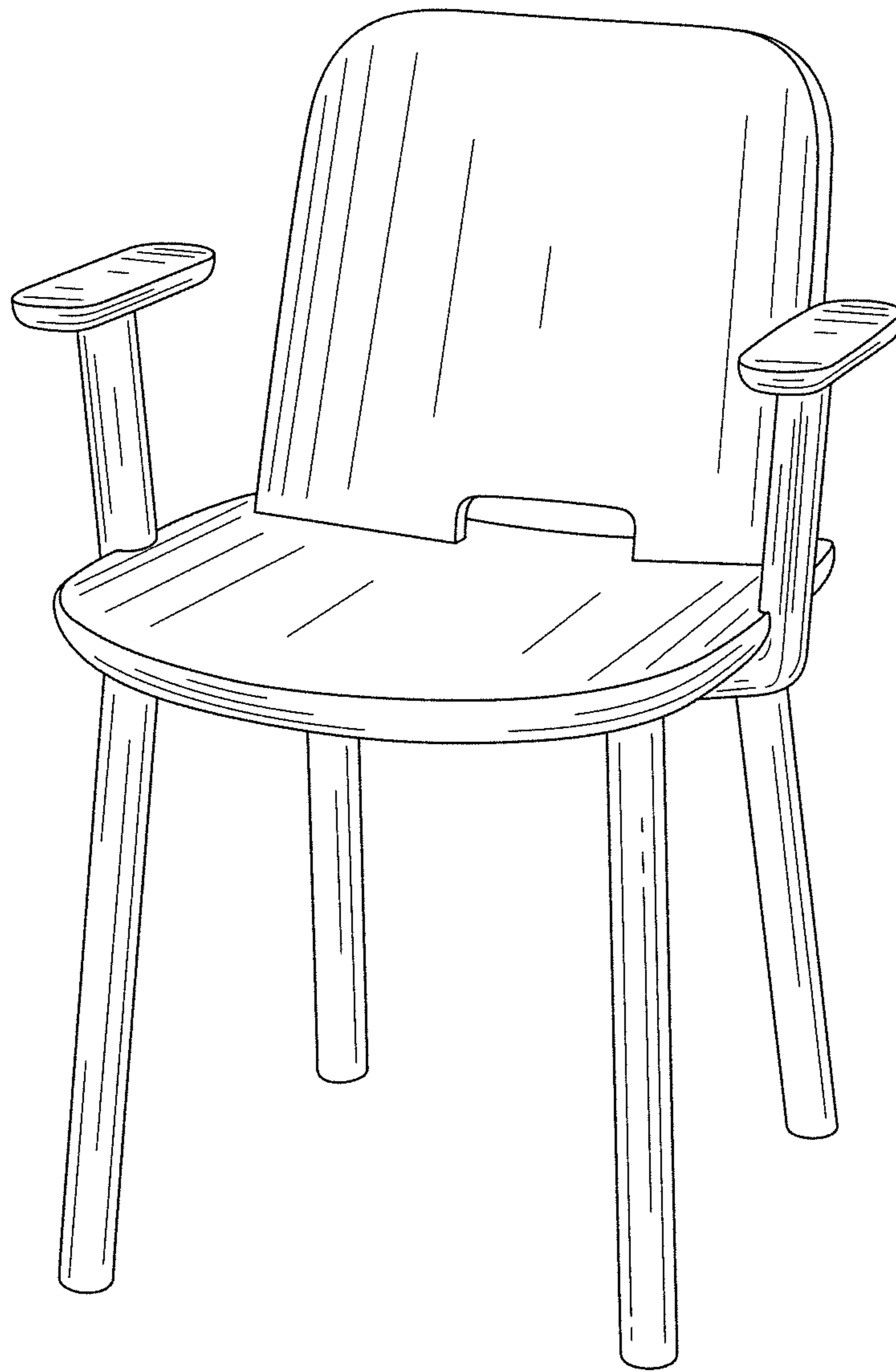


FIG. 1

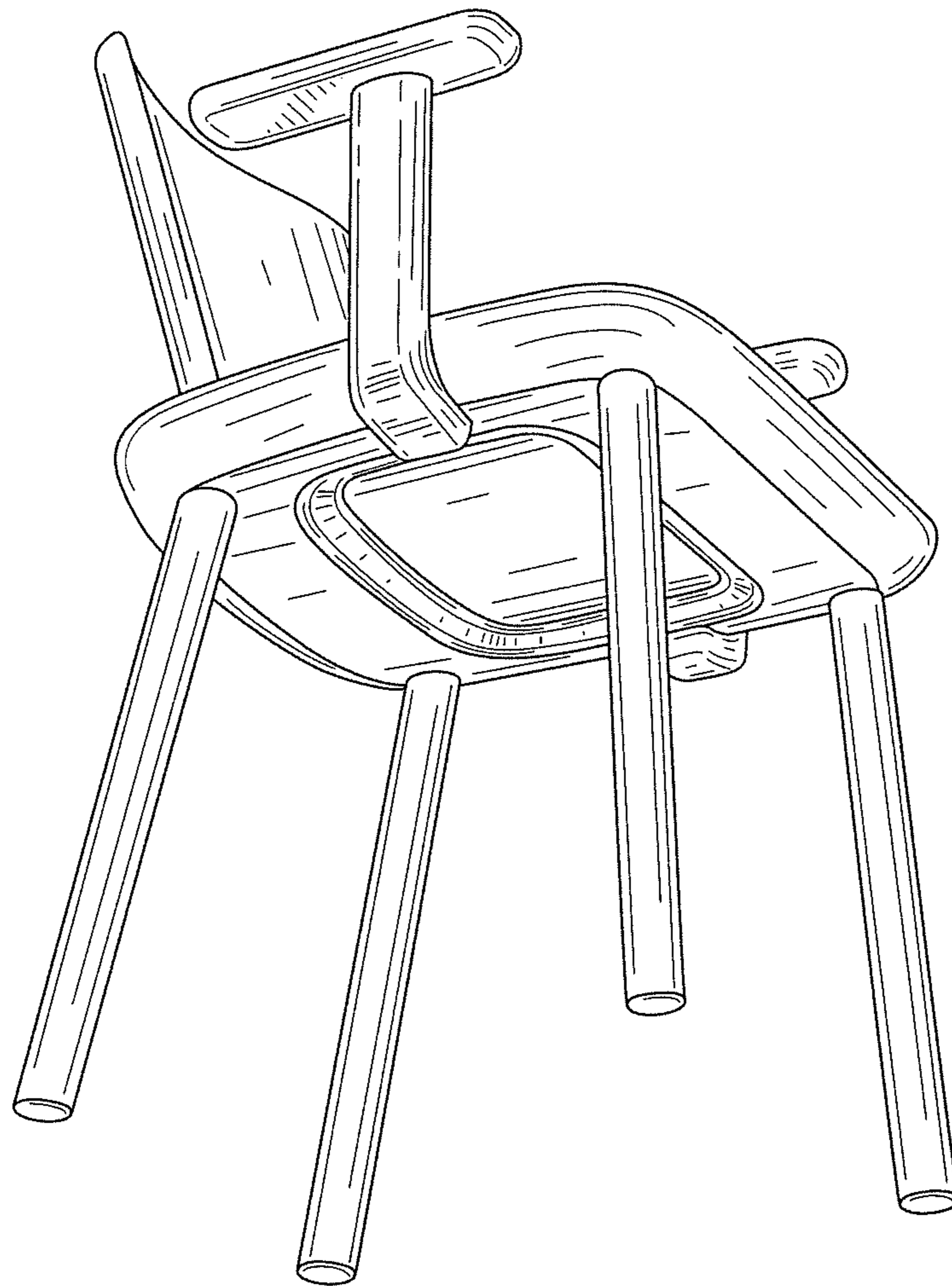


FIG. 2

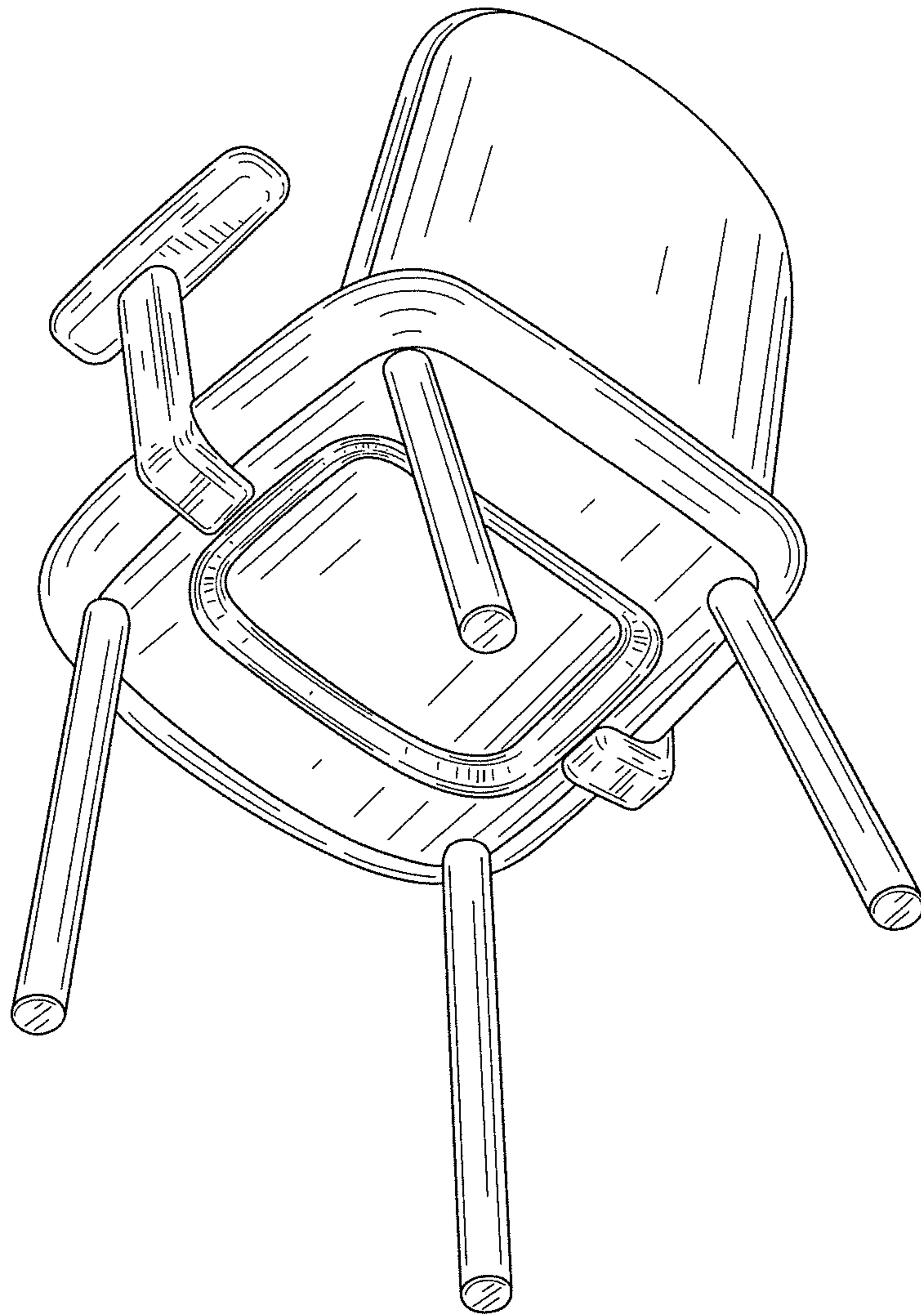


FIG. 3

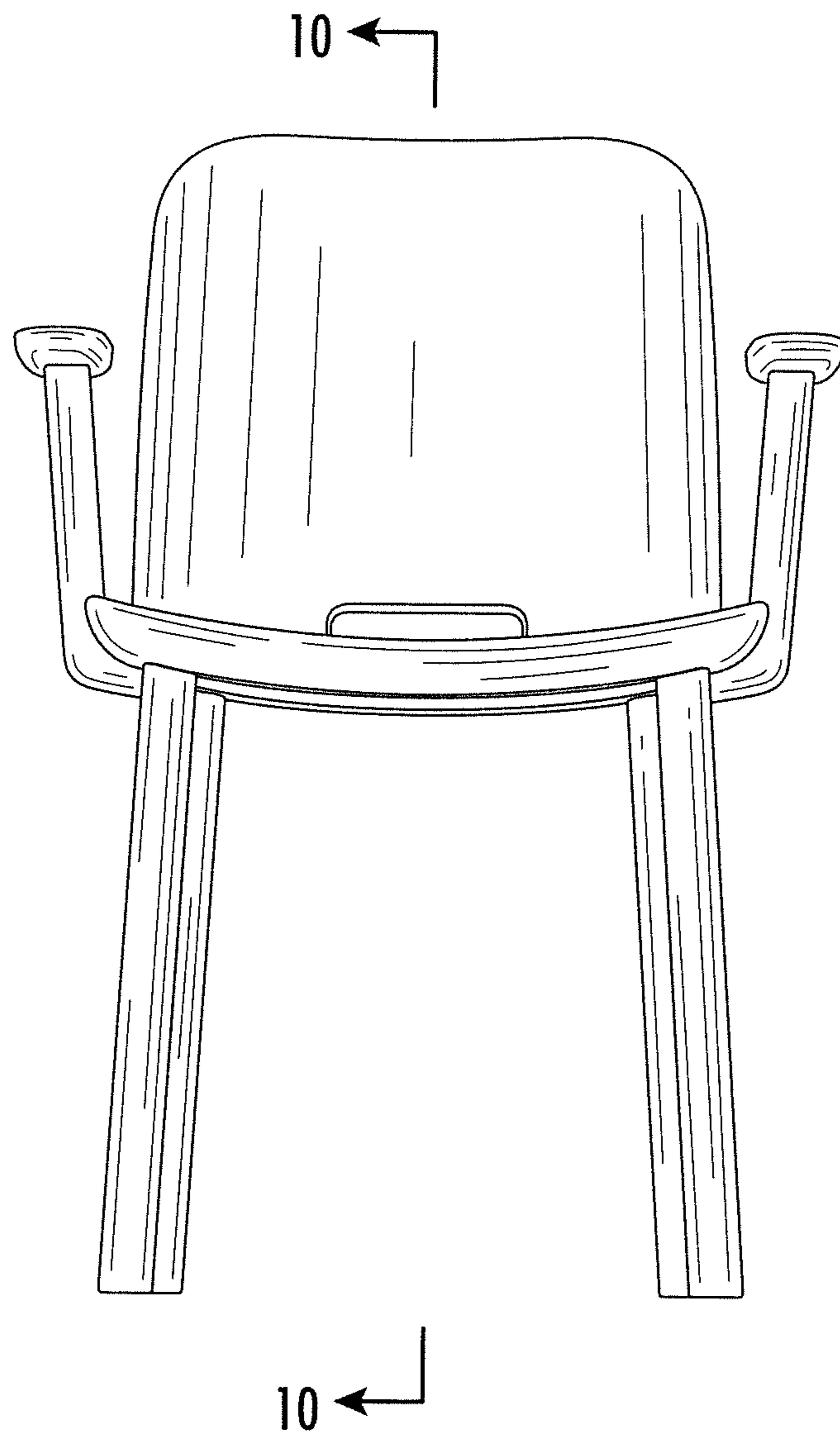


FIG. 4

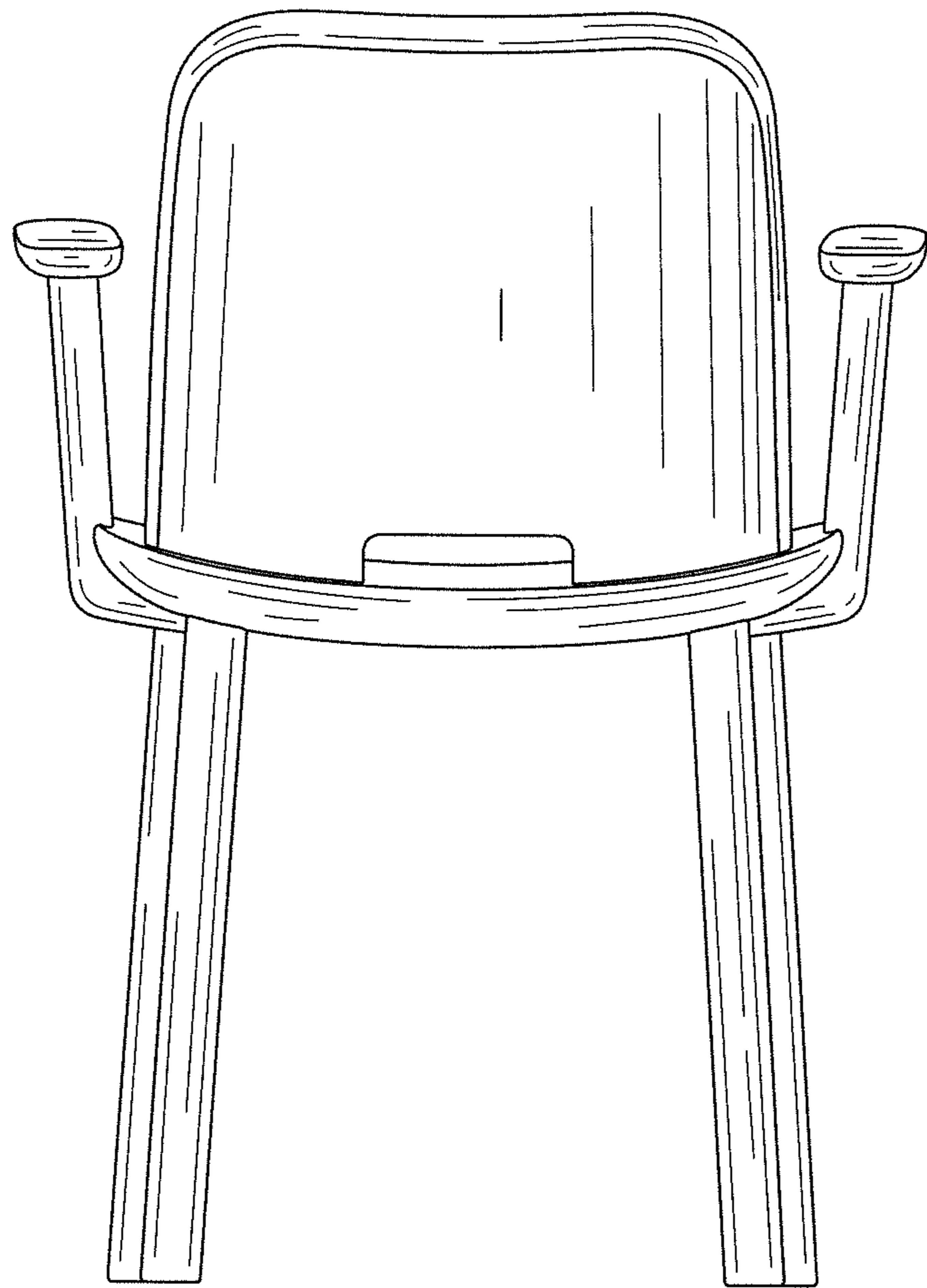


FIG. 5

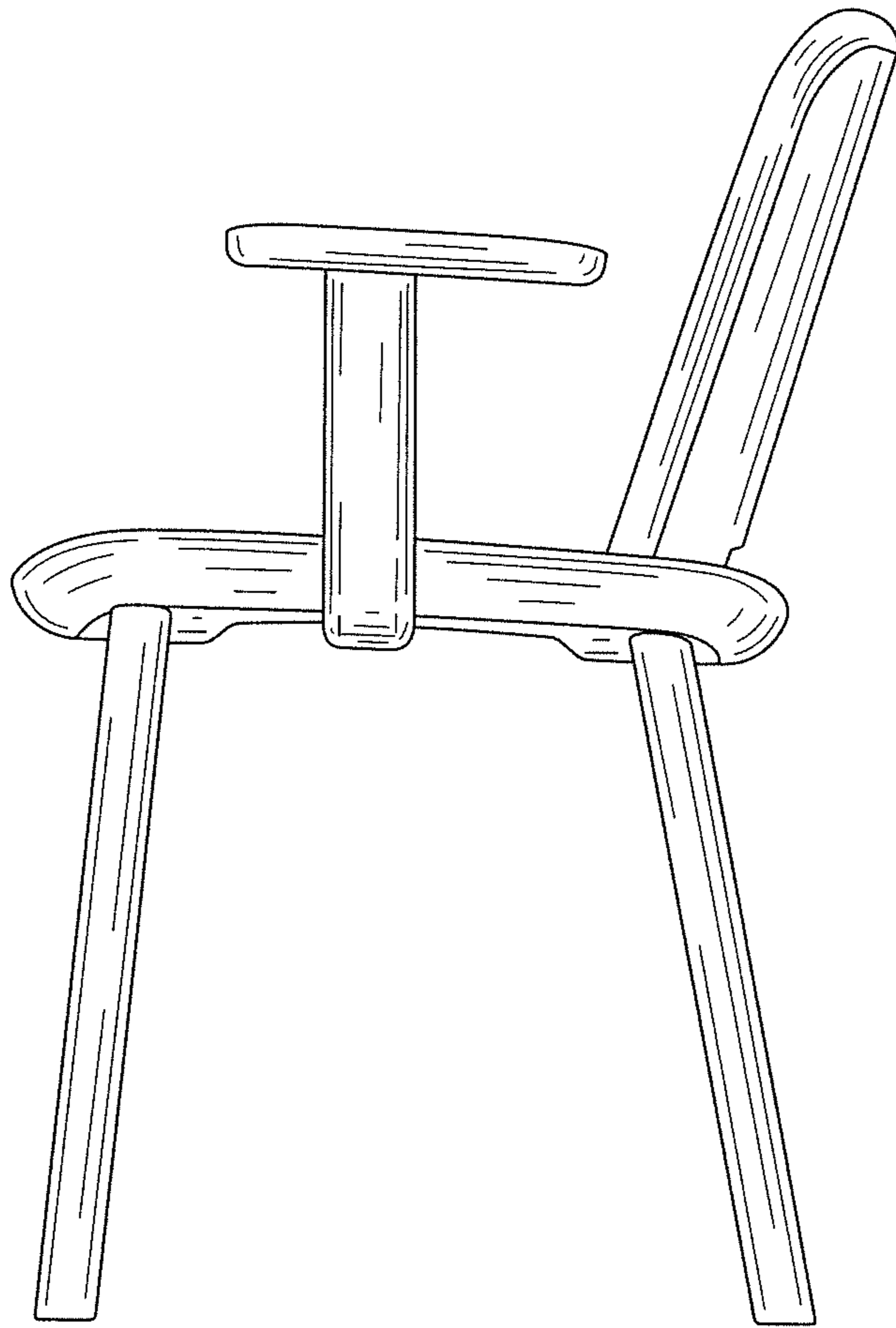


FIG. 6

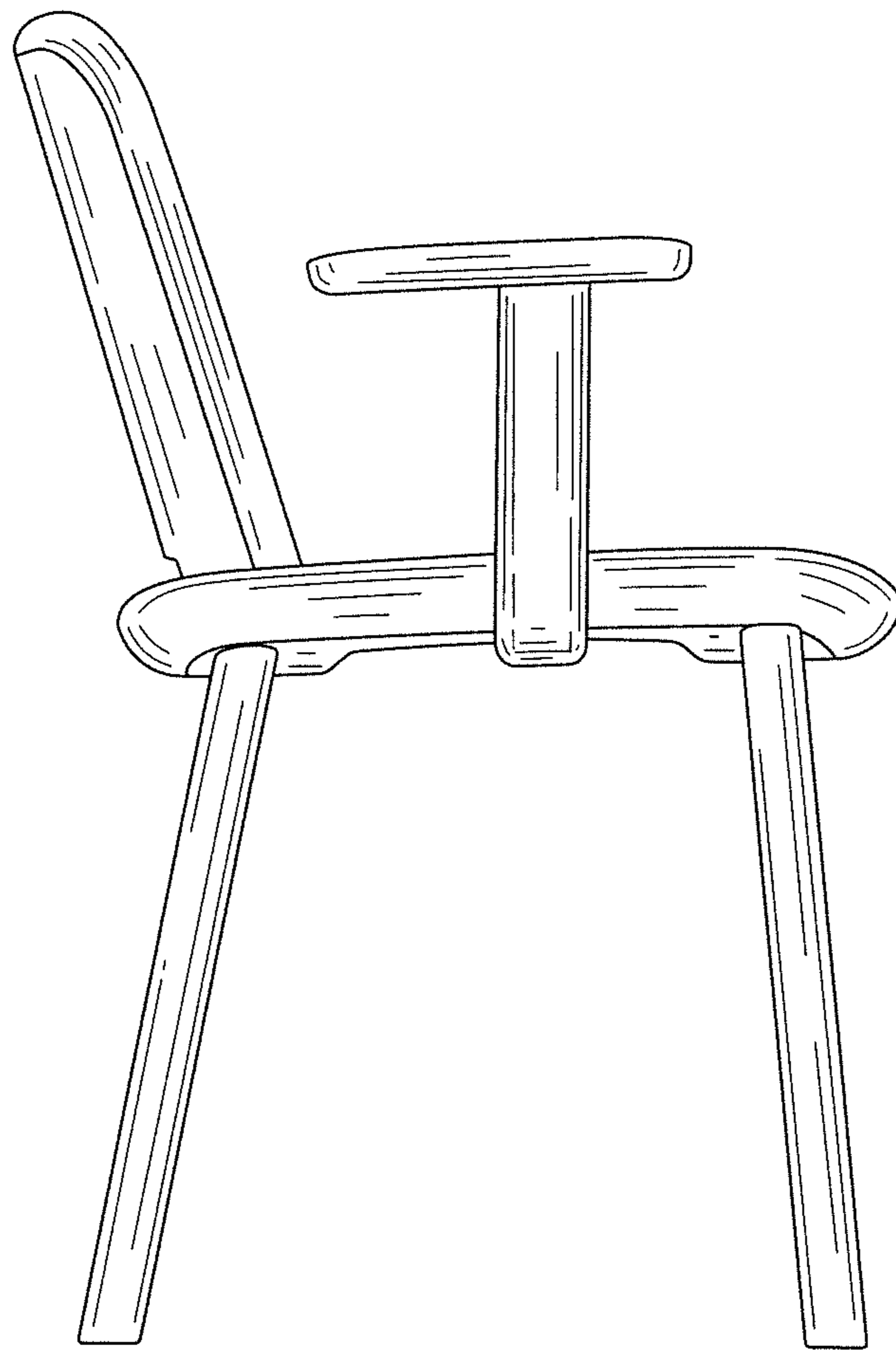


FIG. 7

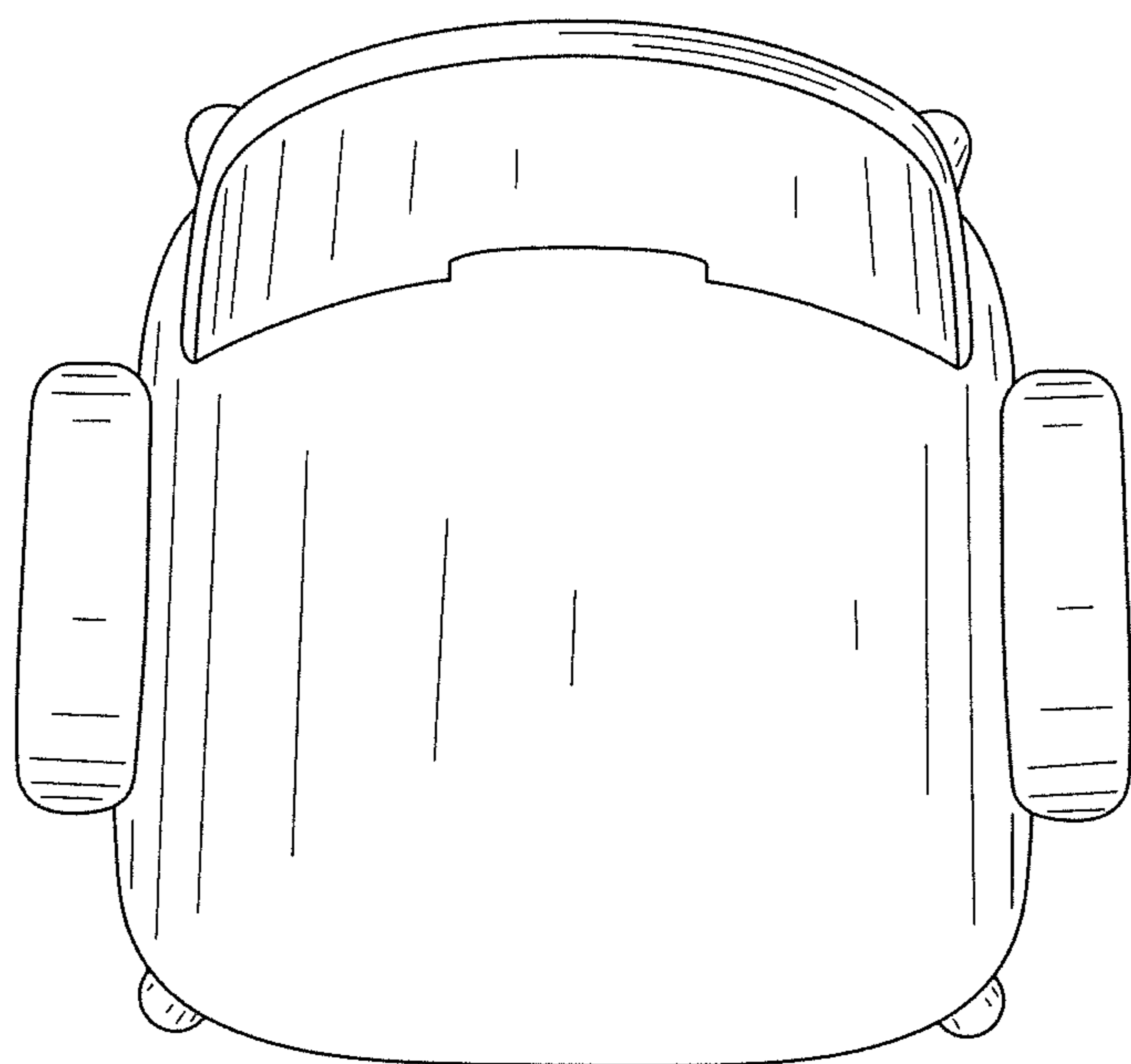


FIG. 8

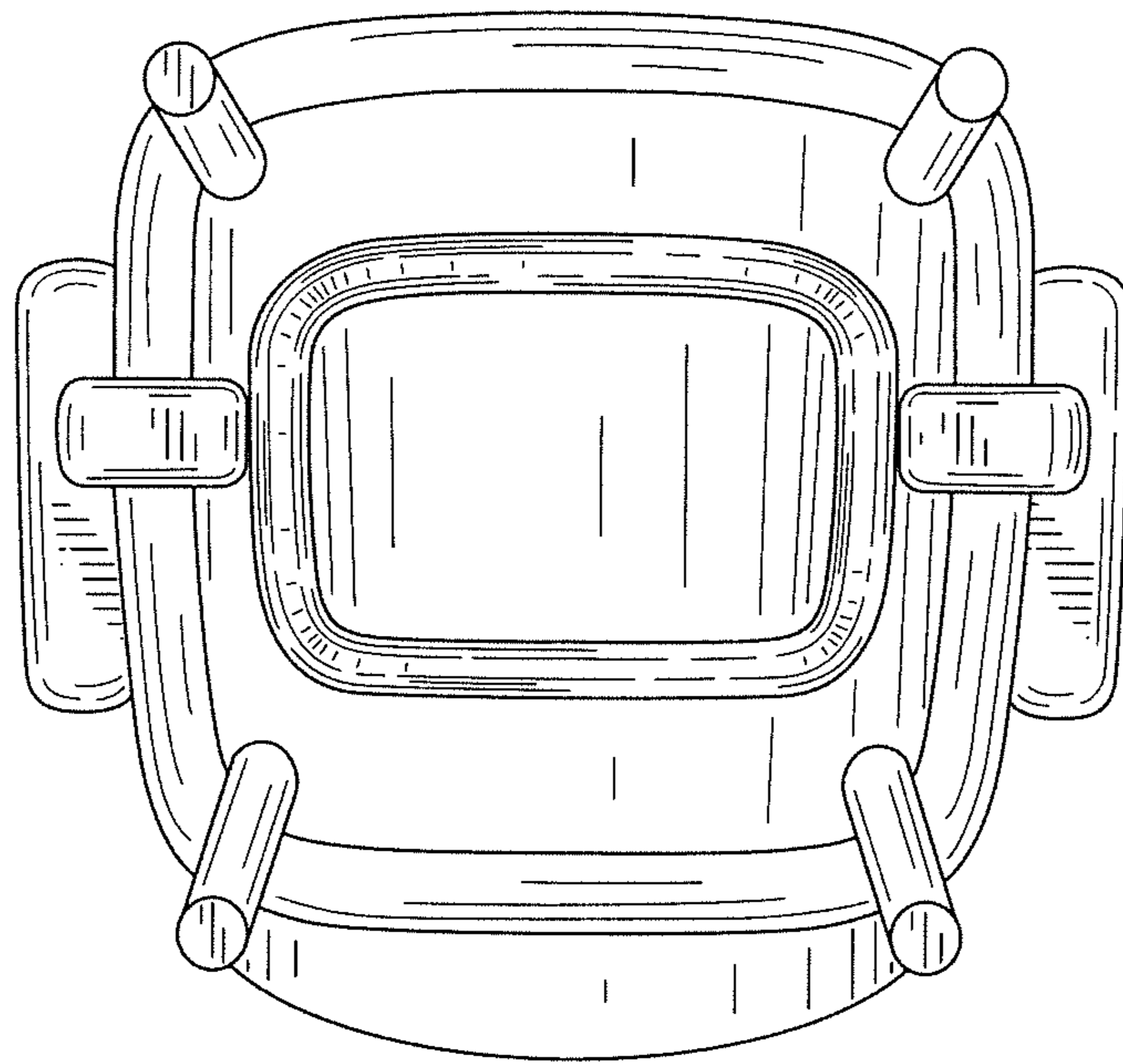


FIG. 9

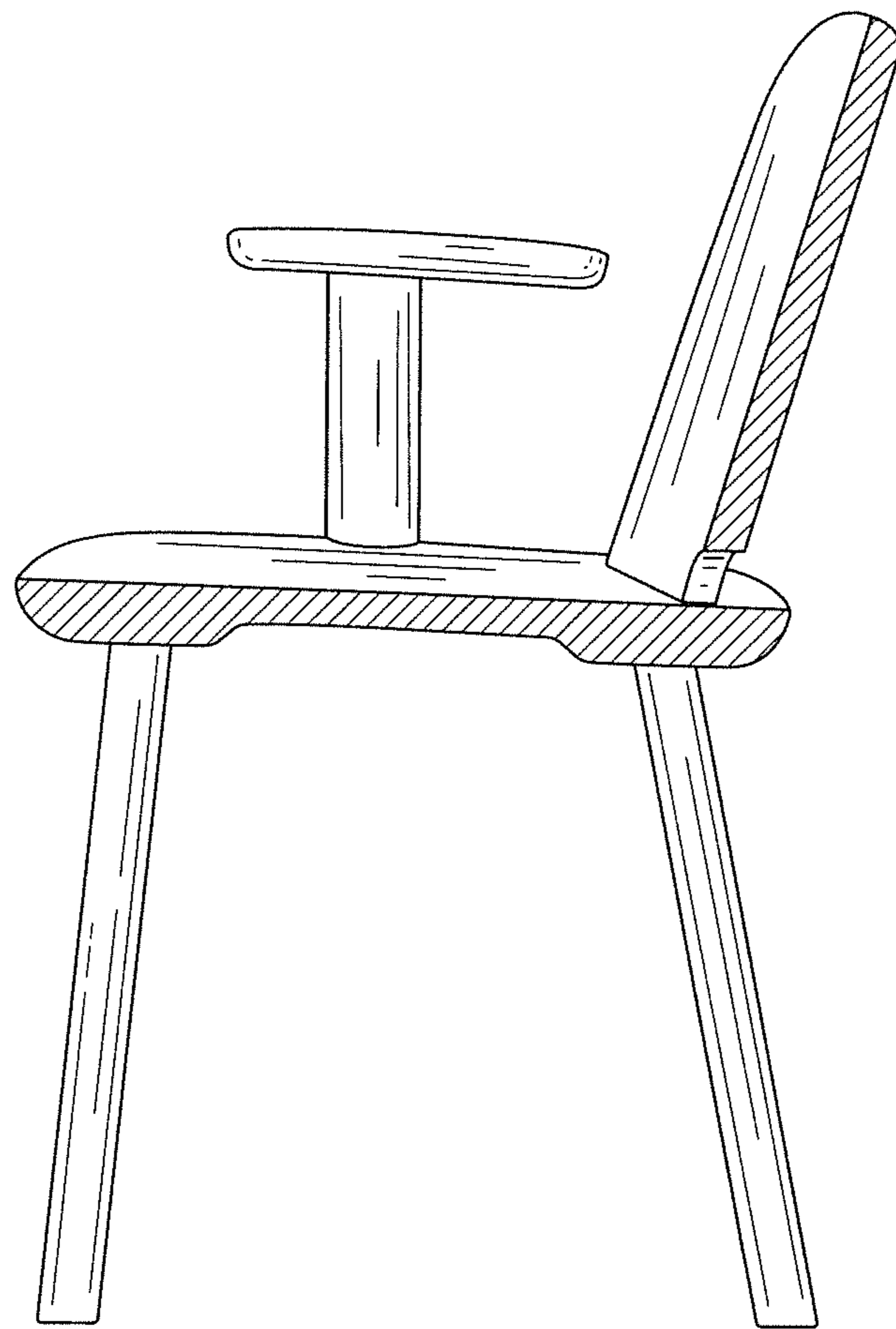


FIG. 10