



US00D907388S

(12) **United States Design Patent** (10) **Patent No.:** **US D907,388 S**  
**Dorsey** (45) **Date of Patent:** **\*\* Jan. 12, 2021**

(54) **CHAIR**  
(71) Applicant: **Joshua Dorsey**, Dublin, OH (US)  
(72) Inventor: **Joshua Dorsey**, Dublin, OH (US)  
(\*\*) Term: **15 Years**

D237,331 S \* 10/1975 Vogt ..... D6/372  
D249,205 S \* 9/1978 Spencer ..... D6/363  
D288,459 S \* 2/1987 Lee ..... D21/690  
4,738,487 A \* 4/1988 Shalinsky ..... A47C 9/025  
248/129  
4,768,831 A \* 9/1988 Liedberg ..... A47C 9/02  
297/344.14

(Continued)

(21) Appl. No.: **29/667,584**

(22) Filed: **Oct. 23, 2018**

**Related U.S. Application Data**

(63) Continuation-in-part of application No. 29/637,686, filed on Feb. 21, 2018, now abandoned.

(51) **LOC (13) Cl.** ..... **06-01**

(52) **U.S. Cl.**  
USPC ..... **D6/372**

(58) **Field of Classification Search**

USPC ..... D6/339, 360, 364, 367, 370, 372, 373, D6/310, 641, 656.13, 672, 675, 678.1, D6/678.2, 682, 691, 700, 707.22; D14/239, 447; D21/686, 687, 690, 695  
CPC ..... A47F 5/06; A47F 5/04; A47F 5/10; A47F 5/00; A47F 5/0043; A47B 57/06; A47B 57/00; A47B 21/02; A47B 21/04; A47B 21/0314; A47B 2021/0364; A47B 2097/006; A47C 9/00; A47C 9/02; A47C 7/004; A47C 7/506; A47C 9/025; A47C 3/04; A47C 5/04; A47C 5/00; A47C 5/043; A47C 3/00; A61B 50/13; A61B 50/15; B60N 2/38; B60N 2/24; B62B 2206/06; F16M 11/046; F16M 11/18; Y10S 248/917; Y10S 248/918

See application file for complete search history.

(56) **References Cited**

**U.S. PATENT DOCUMENTS**

3,899,207 A \* 8/1975 Mueller ..... A47C 3/04  
297/239  
D237,329 S \* 10/1975 Vogt ..... D6/372

**OTHER PUBLICATIONS**

“Free fitness equipment plans” Jul. 11, 2012, craftsmanspace.com, site visited Sep. 23, 2020 <[https://tineye.com/search/889a8b4f3c2fc2f4ad4c4eecb2c882134ceb4c1b?sort=crawl\\_date&order=asc&page=1](https://tineye.com/search/889a8b4f3c2fc2f4ad4c4eecb2c882134ceb4c1b?sort=crawl_date&order=asc&page=1)> (Year: 2012).\*

*Primary Examiner* — Kevin K Rudzinski

*Assistant Examiner* — Paul D Bohannon

(74) *Attorney, Agent, or Firm* — Dunlap Bennett & Ludwig, PLLC

(57) **CLAIM**

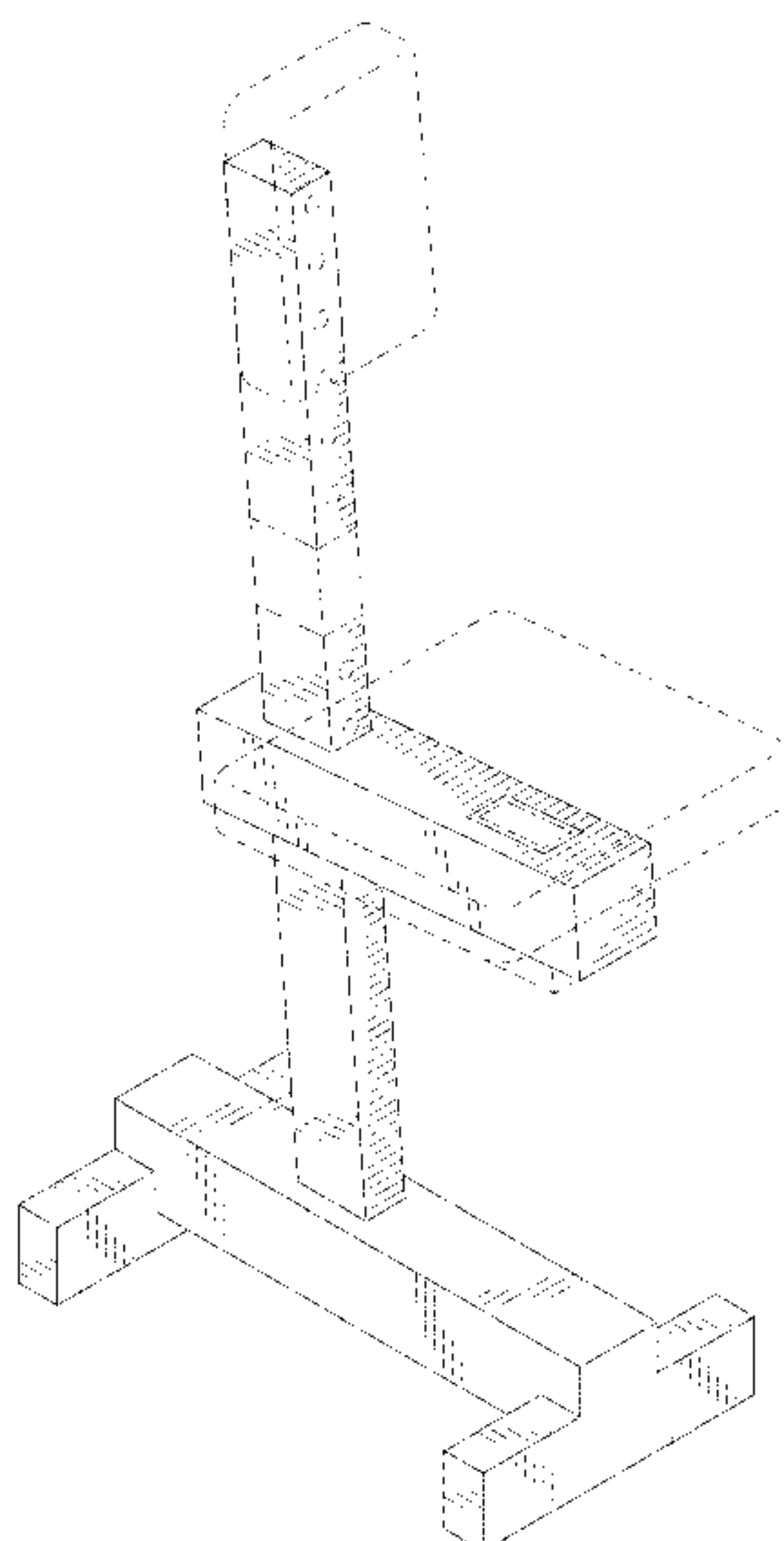
The ornamental design for a chair, as shown and described.

**DESCRIPTION**

FIG. 1 is a perspective view of a chair, showing my new design;  
FIG. 2 is a right elevation view thereof, the left elevation view being a mirror image thereof;  
FIG. 3 is a front elevation view thereof;  
FIG. 4 is a rear elevation view thereof;  
FIG. 5 is a top plan view thereof; and,  
FIG. 6 is a bottom plan view thereof.

The evenly-sized broken lines shown in the drawings depict portions of the chair that form no part of the claimed design, while unevenly-sized broken lines consisting of dash-dot-dash lines in the drawings depict the boundary of the claimed invention and it is understood that the claim extends to the boundary that forms no part of the claimed design.

**1 Claim, 4 Drawing Sheets**



(56)

**References Cited**

U.S. PATENT DOCUMENTS

D299,501	S	*	1/1989	Howze	.....	D21/690
D300,045	S	*	2/1989	Grider	.....	D21/690
D336,790	S	*	6/1993	Louers	.....	D6/360
D340,961	S	*	11/1993	Miller	.....	D21/695
D341,176	S	*	11/1993	Habing	.....	D21/695
D349,820	S	*	8/1994	Schaevitz	.....	D6/364
D352,614	S	*	11/1994	Adams	.....	D6/339
D367,767	S	*	3/1996	Rhodes	.....	D6/310
D390,713	S	*	2/1998	Chen	.....	D6/367
5,782,532	A	*	7/1998	Opsvik	.....	A47C 3/20 297/338
5,802,987	A	*	9/1998	Bellak	.....	A47B 57/06 108/108
D459,100	S	*	6/2002	Davidson	.....	D6/367
D480,772	S	*	10/2003	Washington	.....	D21/686
D495,380	S	*	8/2004	Ceppo	.....	D21/686
D590,159	S	*	4/2009	Lin	.....	D6/339
D619,381	S	*	7/2010	Larsvall	.....	D6/339
D672,980	S	*	12/2012	Mitjans	.....	D6/364
8,960,788	B2	*	2/2015	Chuah	.....	A47D 1/0081 297/153
D787,214	S	*	5/2017	Morris	.....	D6/372
D849,456	S	*	5/2019	Chumakov	.....	D6/656.13
2006/0141434	A1	*	6/2006	Moran, Jr.	.....	A63B 21/00178 434/252
2011/0187068	A1	*	8/2011	Strassberg	.....	A47C 7/62 280/32.5
2015/0250304	A1	*	9/2015	Dalebout	.....	A63B 71/0686 482/54
2015/0273268	A1	*	10/2015	Chen	.....	A63B 23/0405 482/142

\* cited by examiner

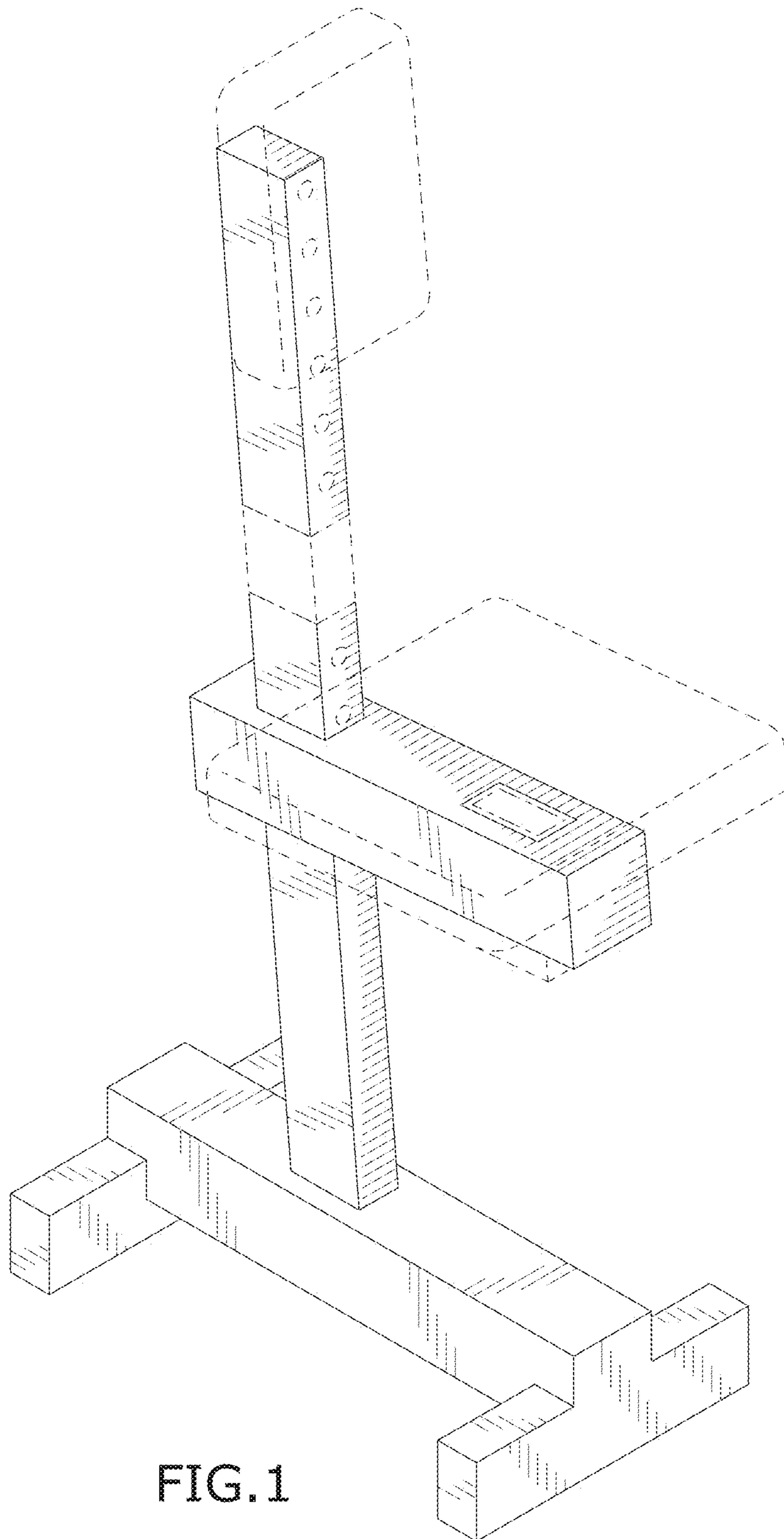


FIG. 1

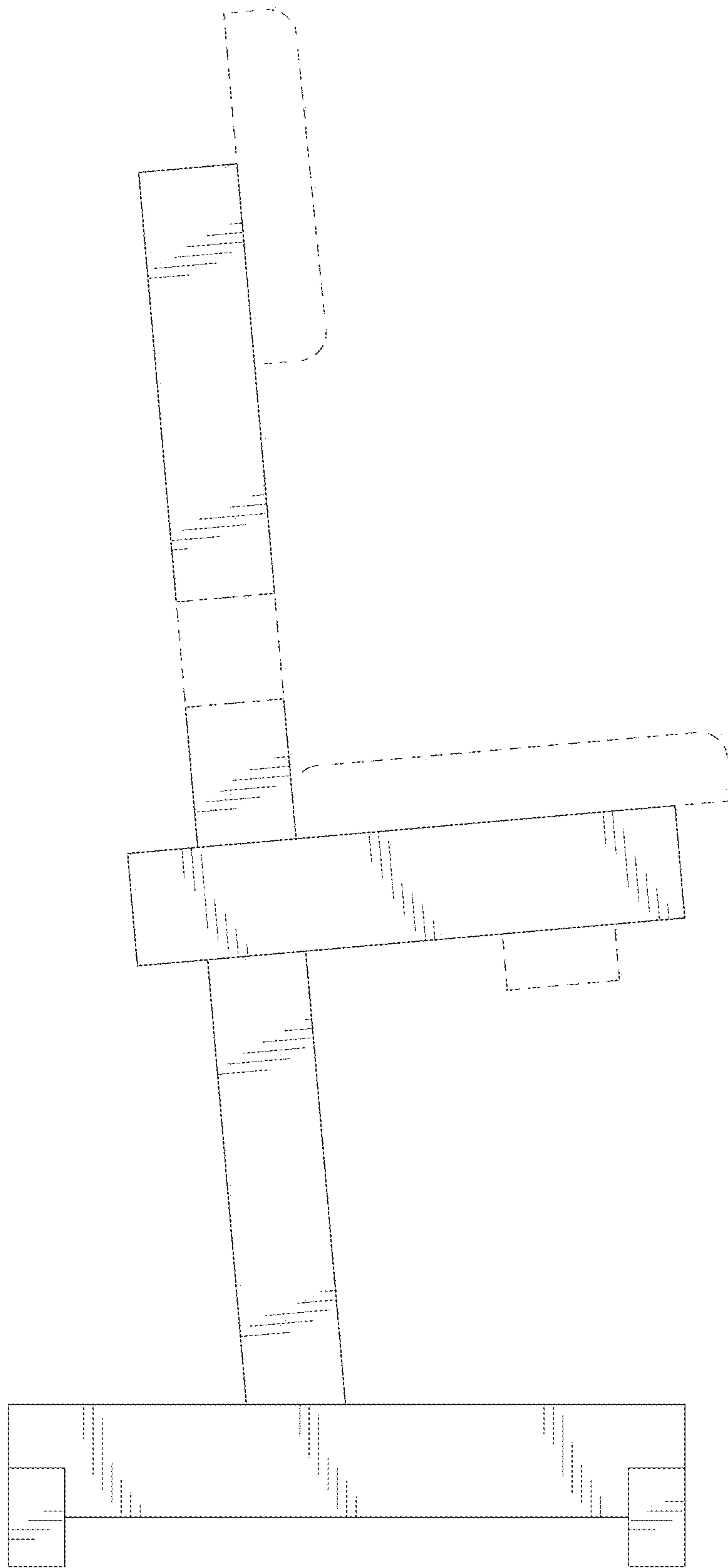


FIG. 2

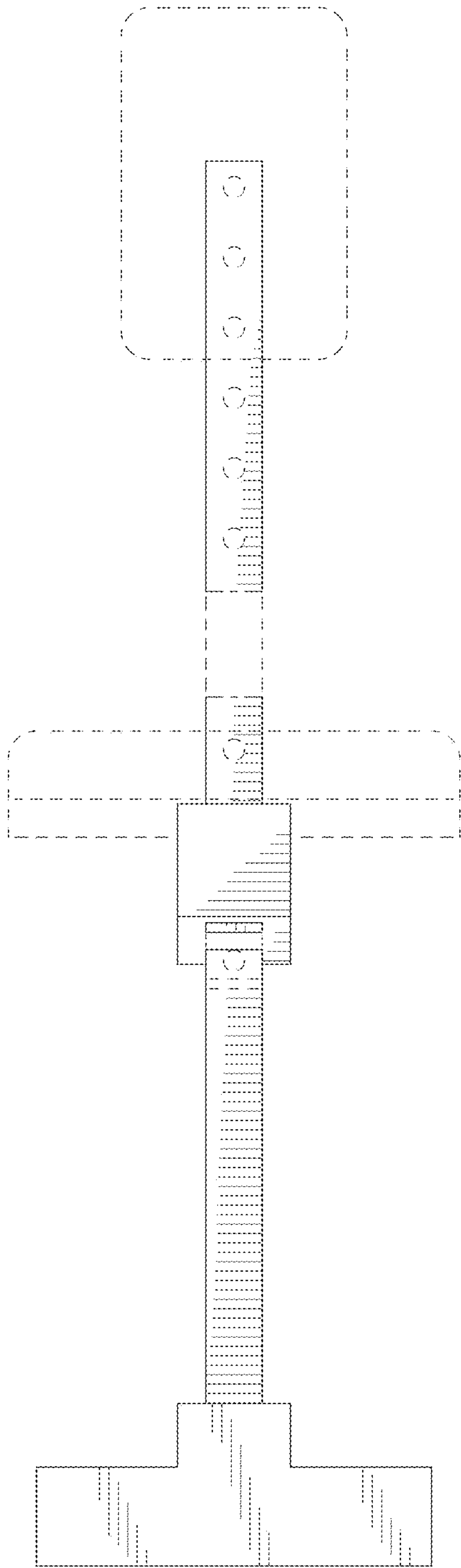


FIG. 3

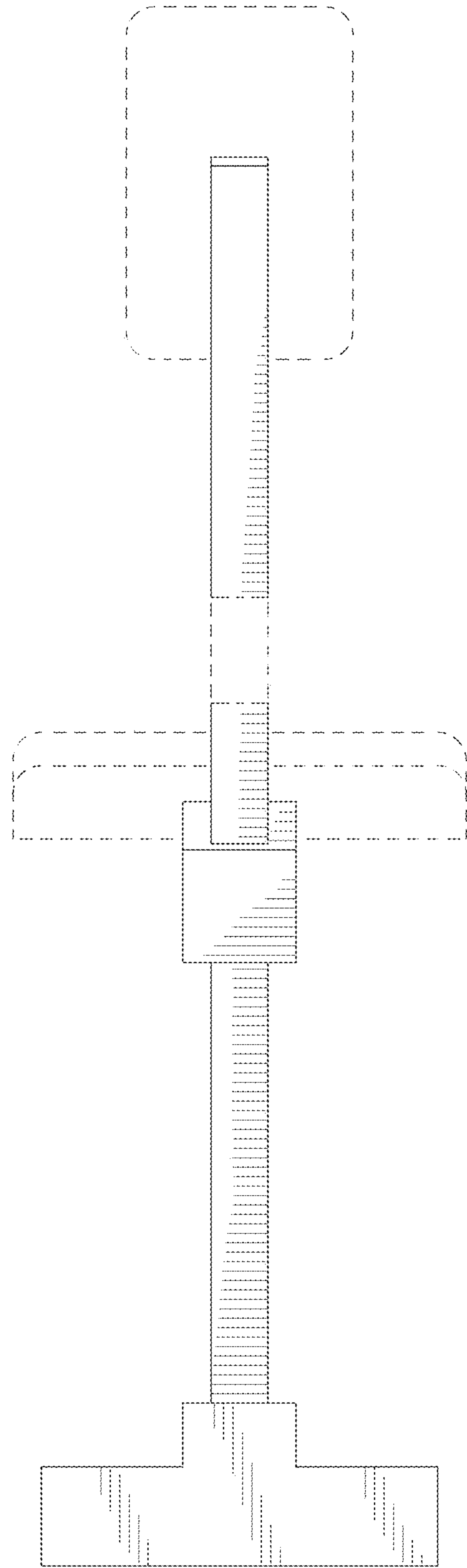


FIG. 4

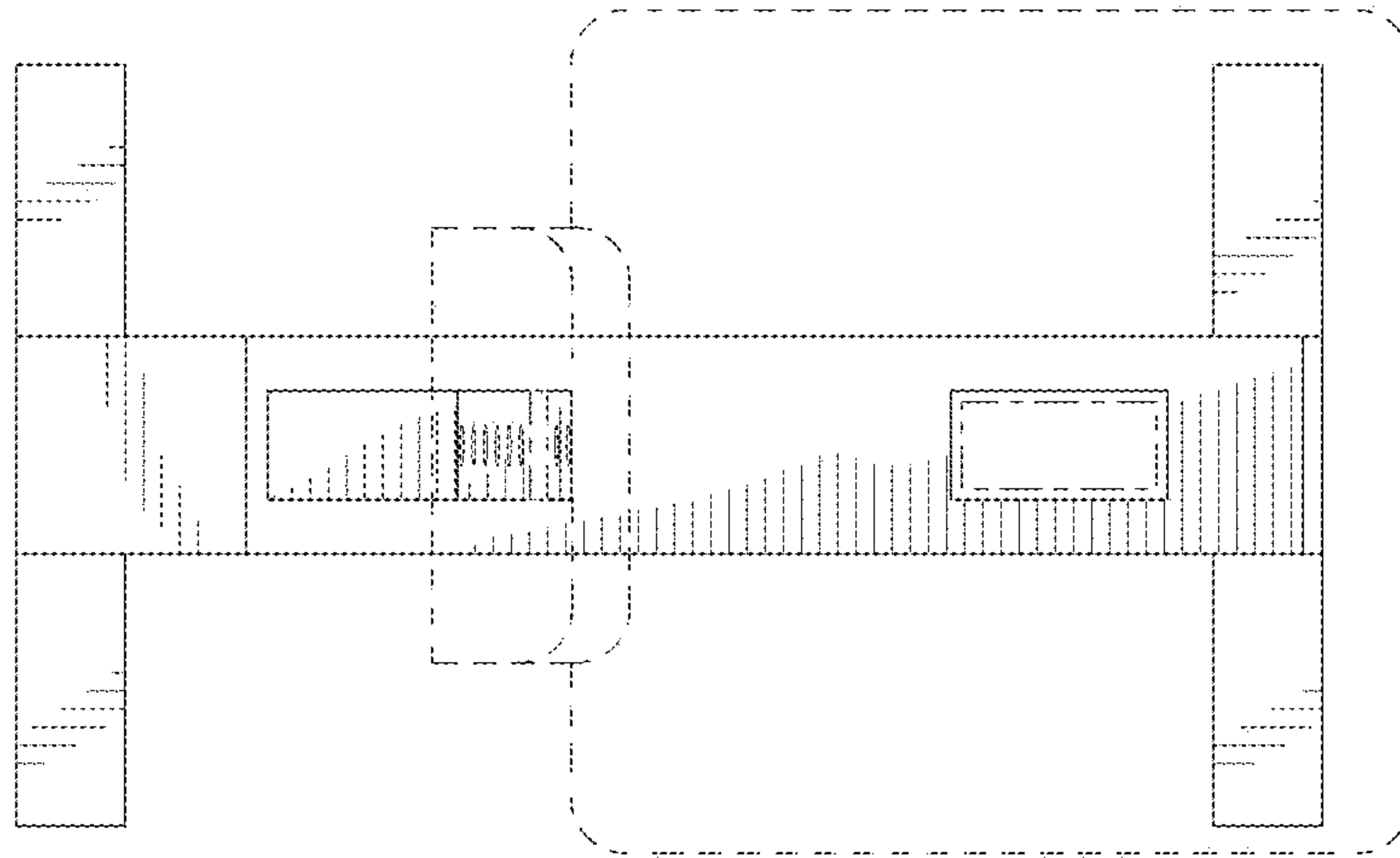


FIG. 5

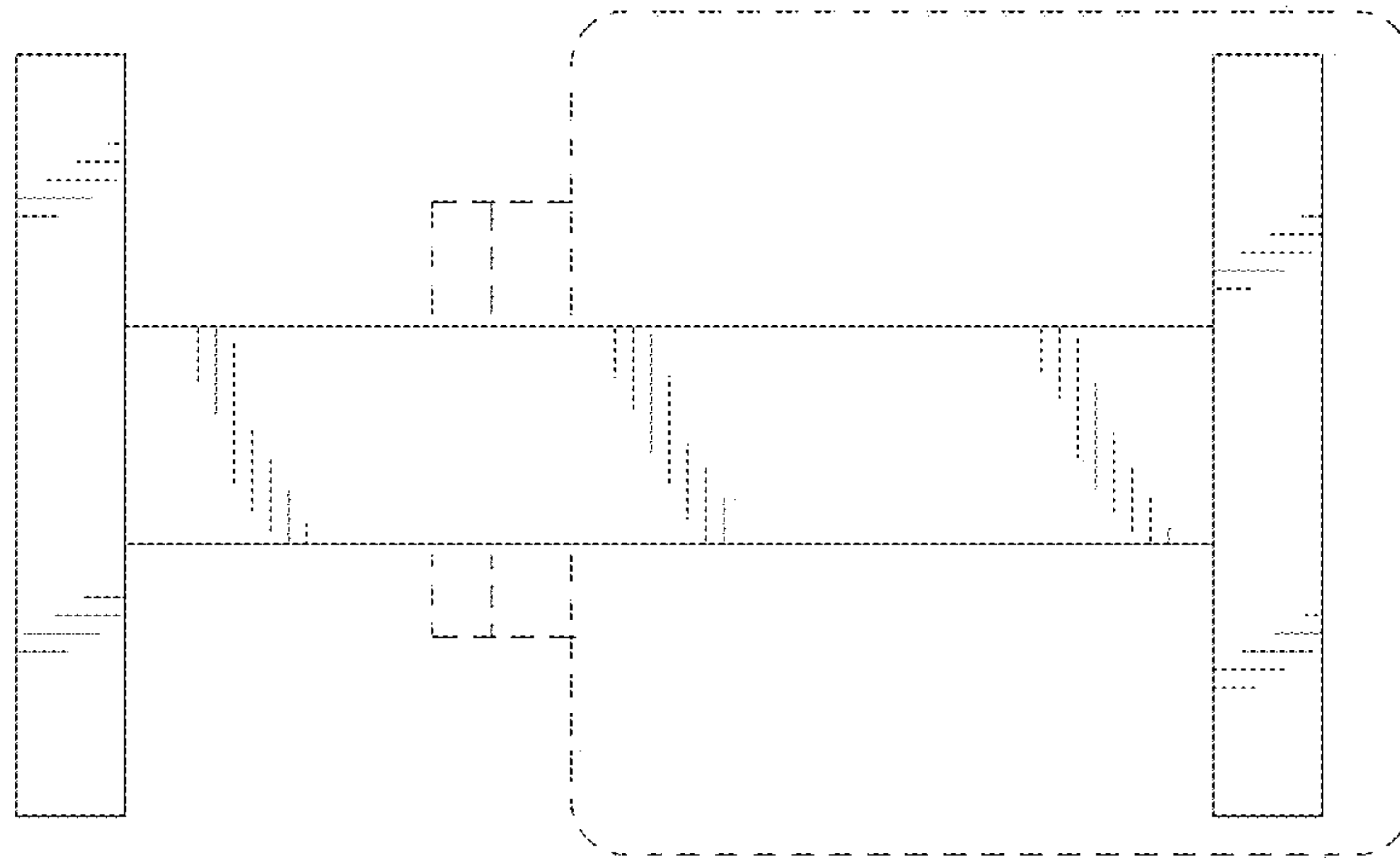


FIG. 6