



US00D907382S

(12) **United States Design Patent** (10) **Patent No.:** **US D907,382 S**
Newson (45) **Date of Patent:** **** Jan. 12, 2021**

(54) **CHAIR**
(71) Applicant: **Knoll, Inc.**, East Greenville, PA (US)
(72) Inventor: **Marc Newson**, London (GB)
(73) Assignee: **Knoll, Inc.**, East Greenville, PA (US)

D718,544 S * 12/2014 Lu D6/366
D755,533 S * 5/2016 Ballendat D6/366
D779,248 S * 2/2017 Welsh D6/716.2
D798,626 S * 10/2017 Cohen D6/376
D826,614 S * 8/2018 Chu D6/716.4
D833,767 S * 11/2018 Wilkinson D6/366
D850,834 S * 6/2019 Read D6/716
D850,835 S * 6/2019 Read D6/716

(Continued)

(**) Term: **15 Years**

FOREIGN PATENT DOCUMENTS

(21) Appl. No.: **29/666,240**

WO WO-2019143505 A1 * 7/2019 A47C 1/03238

(22) Filed: **Oct. 11, 2018**

Primary Examiner — Mimoso De

(51) **LOC (13) Cl.** **06-01**

(74) *Attorney, Agent, or Firm* — Buchanan Ingersoll & Rooney PC

(52) **U.S. Cl.**
USPC **D6/366**

(58) **Field of Classification Search**
USPC D6/334–336, 364, 365, 366, 367, 374,
D6/379, 716, 716.1, 716.4, 376, 716.2
CPC A47C 7/004; A47C 7/006; A47C 7/18;
A47C 7/24; A47C 7/38; A47C 7/40;
A47C 7/46; A47C 7/54
See application file for complete search history.

(57) **CLAIM**

The ornamental design for a chair, as shown and described.

DESCRIPTION

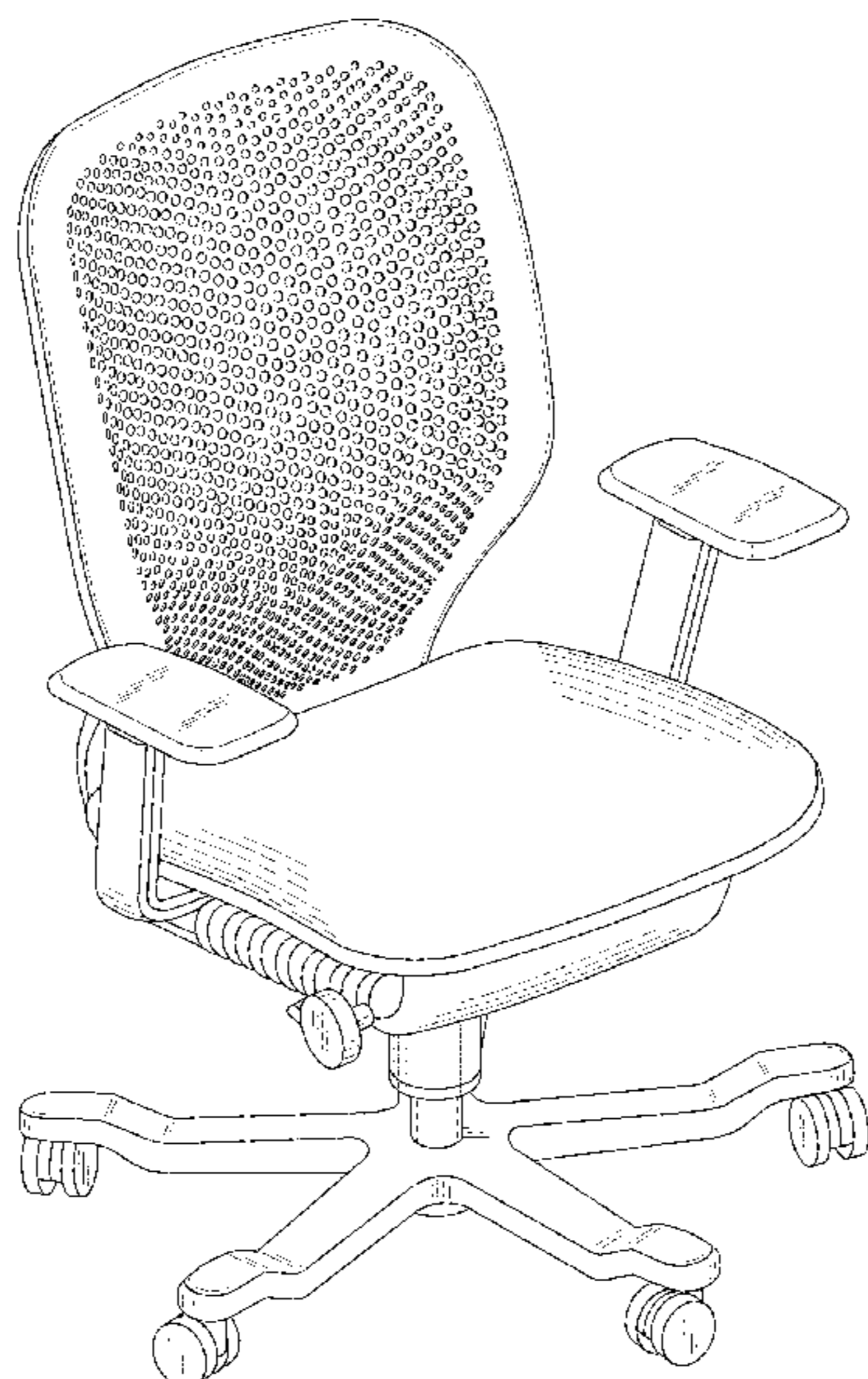
FIG. 1 is a perspective view of a chair showing my new design;
FIG. 2 is a front elevational view thereof;
FIG. 3 is a rear elevational view thereof;
FIG. 4 is a top plan view thereof;
FIG. 5 is a bottom plan view thereof;
FIG. 6 is a left side elevational view thereof;
FIG. 7 is a right side elevational view thereof;
FIG. 8 is a perspective view of an alternate embodiment showing my new design;
FIG. 9 is a front elevational view thereof;
FIG. 10 is a rear elevational view thereof;
FIG. 11 is a top plan view thereof;
FIG. 12 is a bottom plan view thereof;
FIG. 13 is a left side elevational view thereof; and,
FIG. 14 is a right side elevational view thereof.
The phantom lines shown in the drawings form no part of the claimed design.

(56) **References Cited**

U.S. PATENT DOCUMENTS

D535,112 S * 1/2007 Bennett D6/366
D535,131 S * 1/2007 Loew D6/716.2
D596,418 S * 7/2009 Ueda D6/366
D600,462 S * 9/2009 Ooki D6/366
D609,021 S * 2/2010 Ooki D6/366
D616,213 S * 5/2010 Parker D6/366
D627,983 S * 11/2010 Wakasugi D6/366
D638,230 S * 5/2011 Roy D6/366
D638,232 S * 5/2011 Roy D6/376
D639,576 S * 6/2011 Breen D6/366
D641,562 S * 7/2011 Lee D6/366
D650,604 S * 12/2011 Lee D6/366
D651,008 S * 12/2011 Lee D6/366
D677,068 S * 3/2013 Chen D6/366
D688,056 S * 8/2013 Phillips D6/366
D688,483 S * 8/2013 Aratani D6/366

1 Claim, 14 Drawing Sheets



(56)

References Cited

U.S. PATENT DOCUMENTS

D879,491 S * 3/2020 Wang D6/366
D888,479 S * 6/2020 Ludwig D6/716.2

* cited by examiner

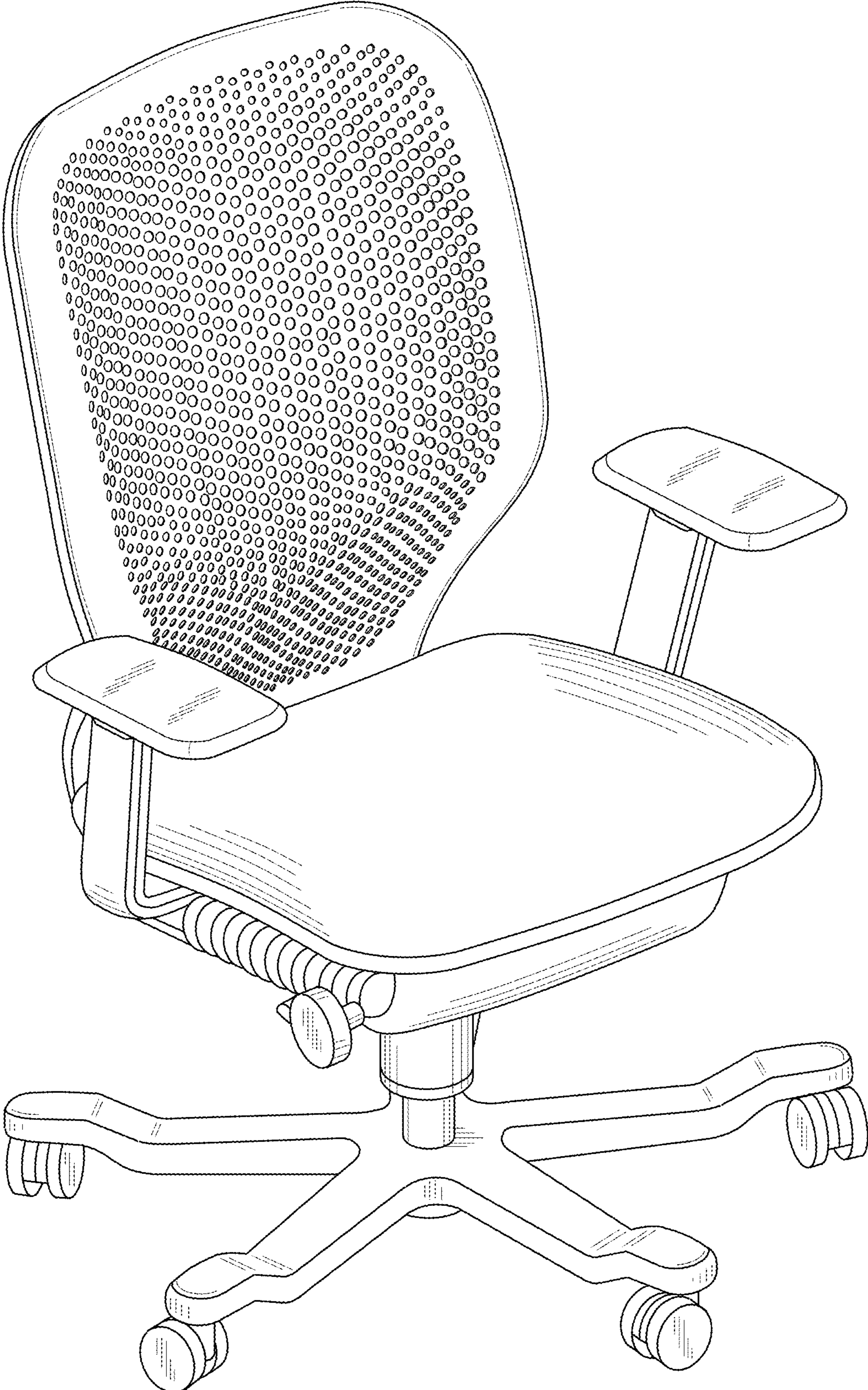


FIG. 1

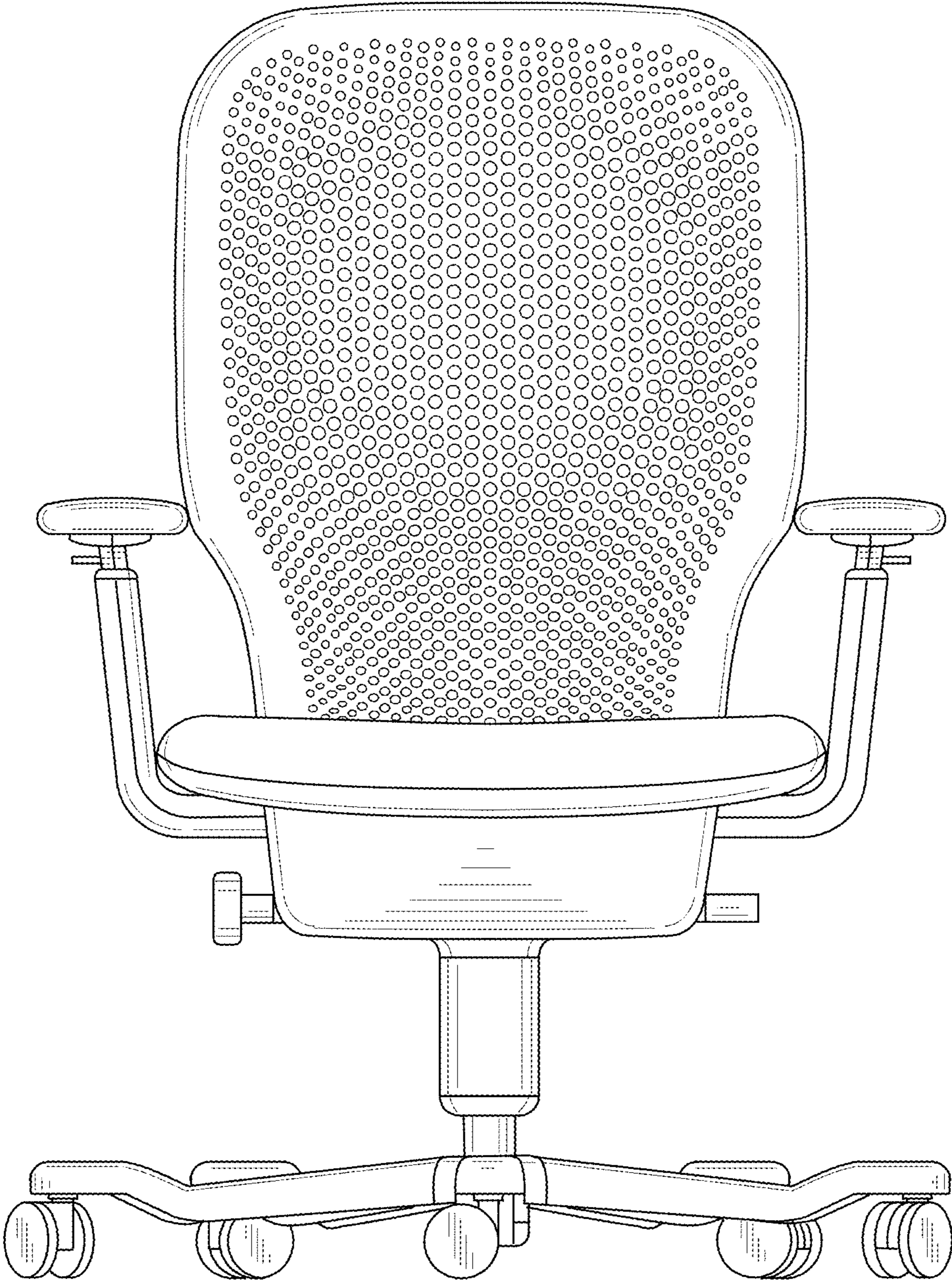


FIG. 2

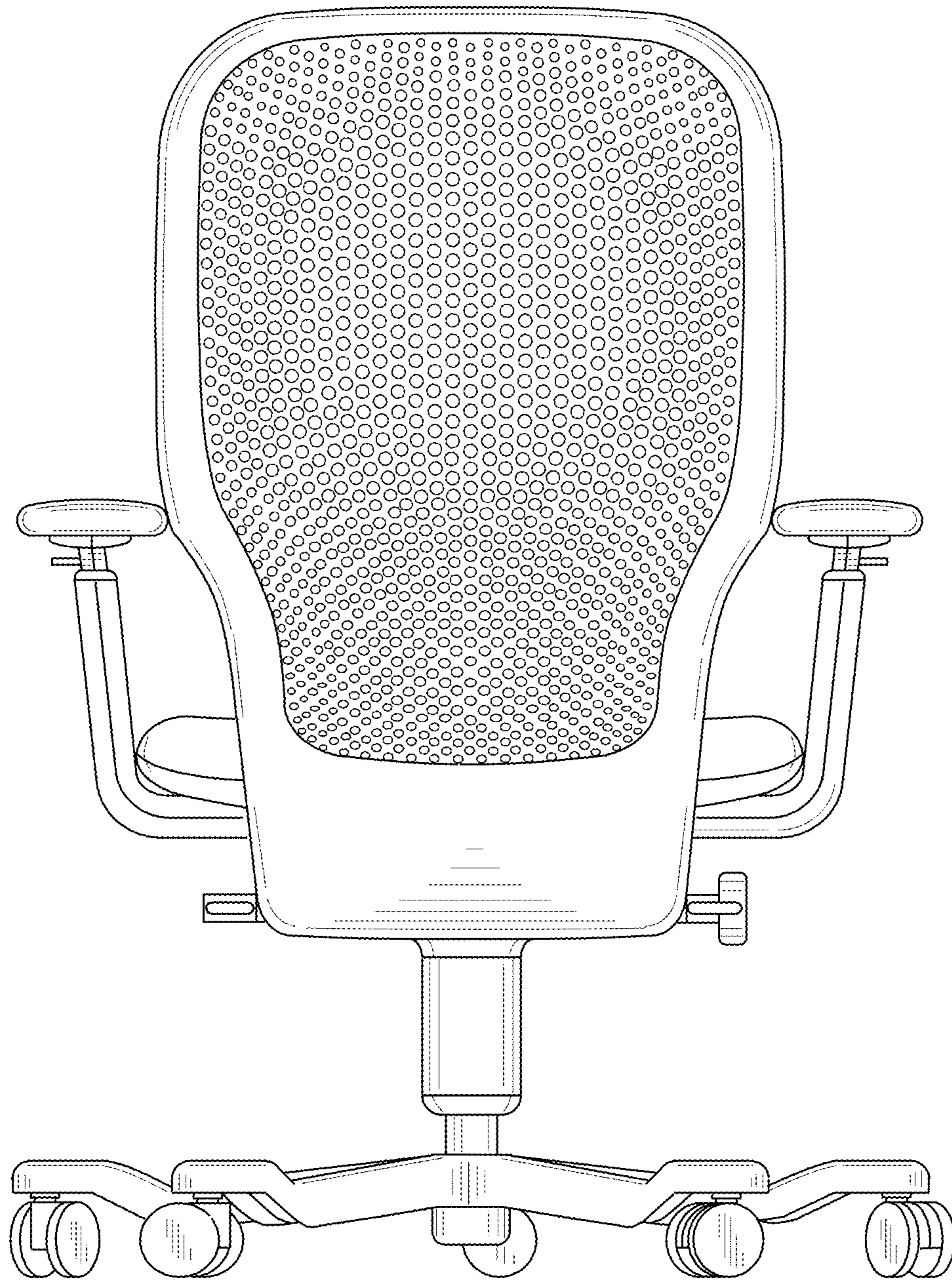


FIG. 3

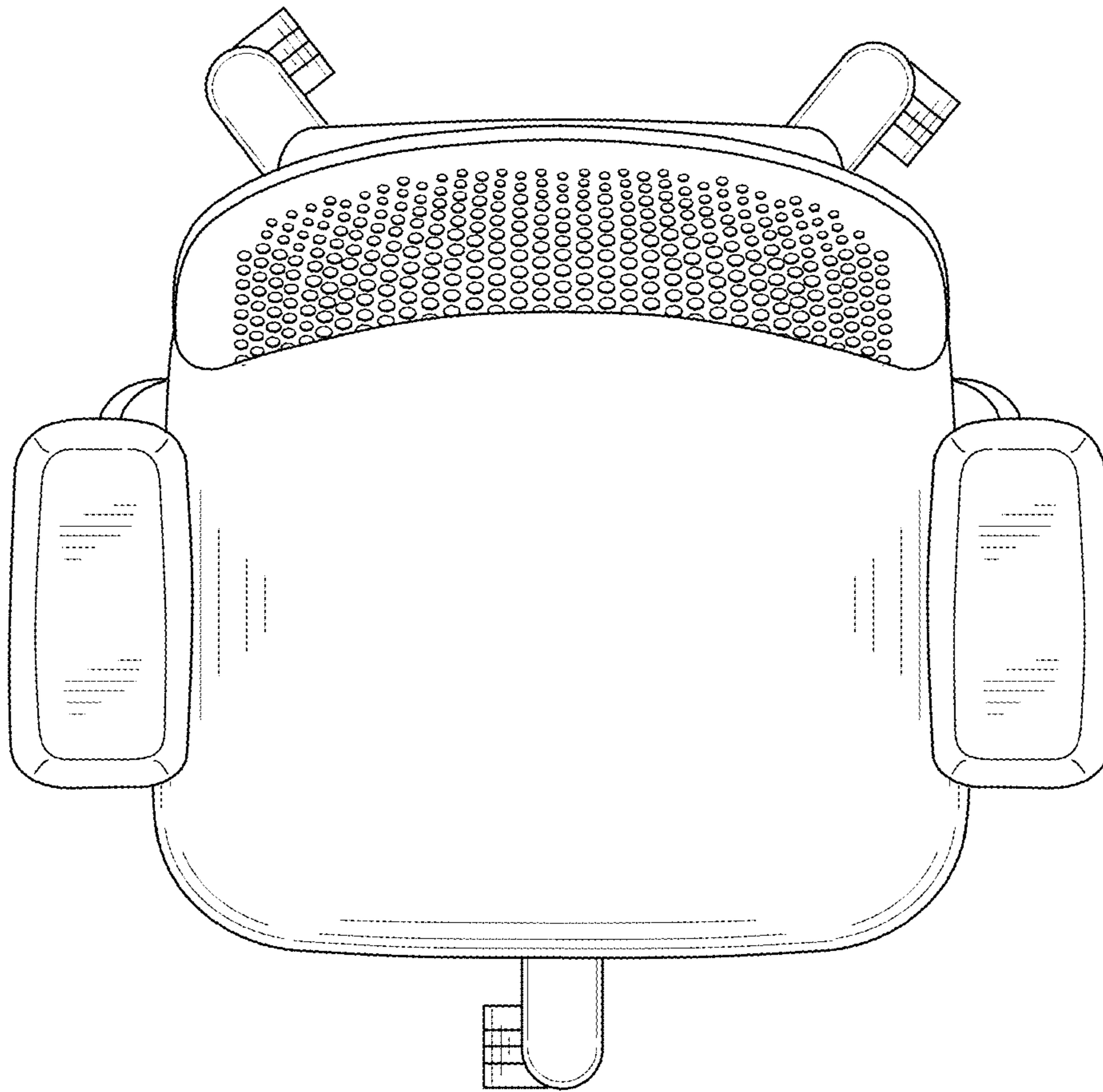


FIG. 4

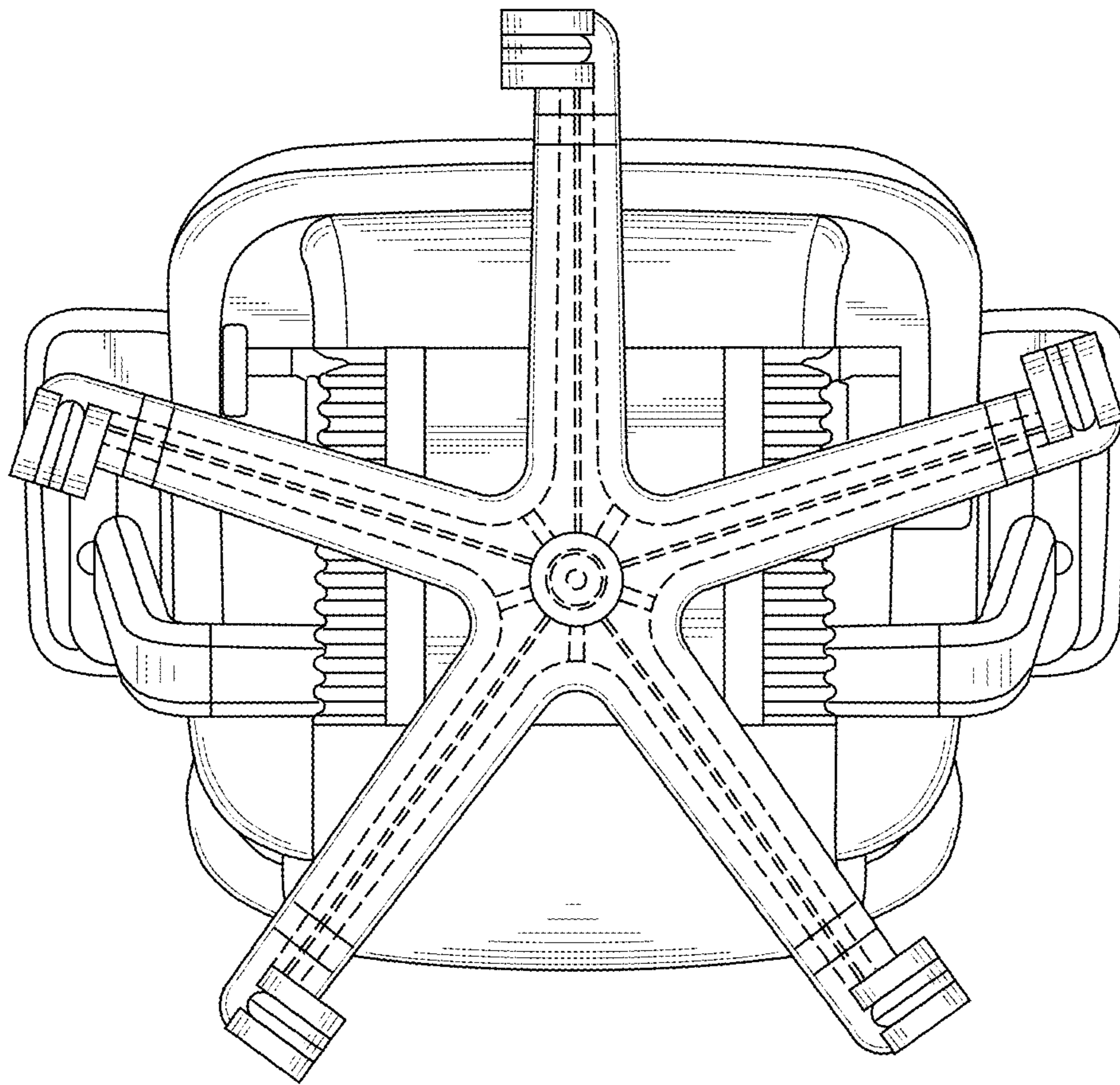


FIG. 5

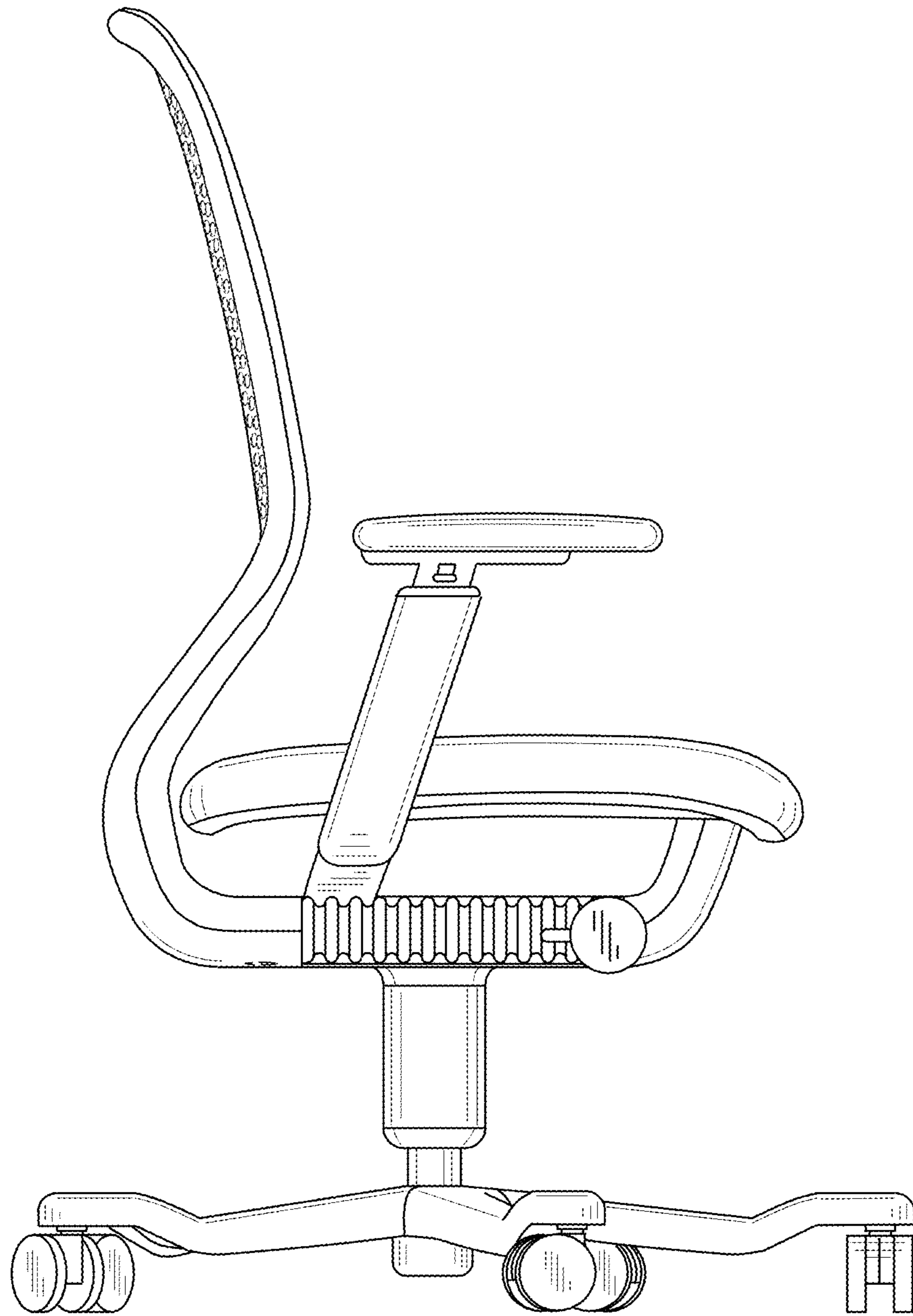


FIG. 6

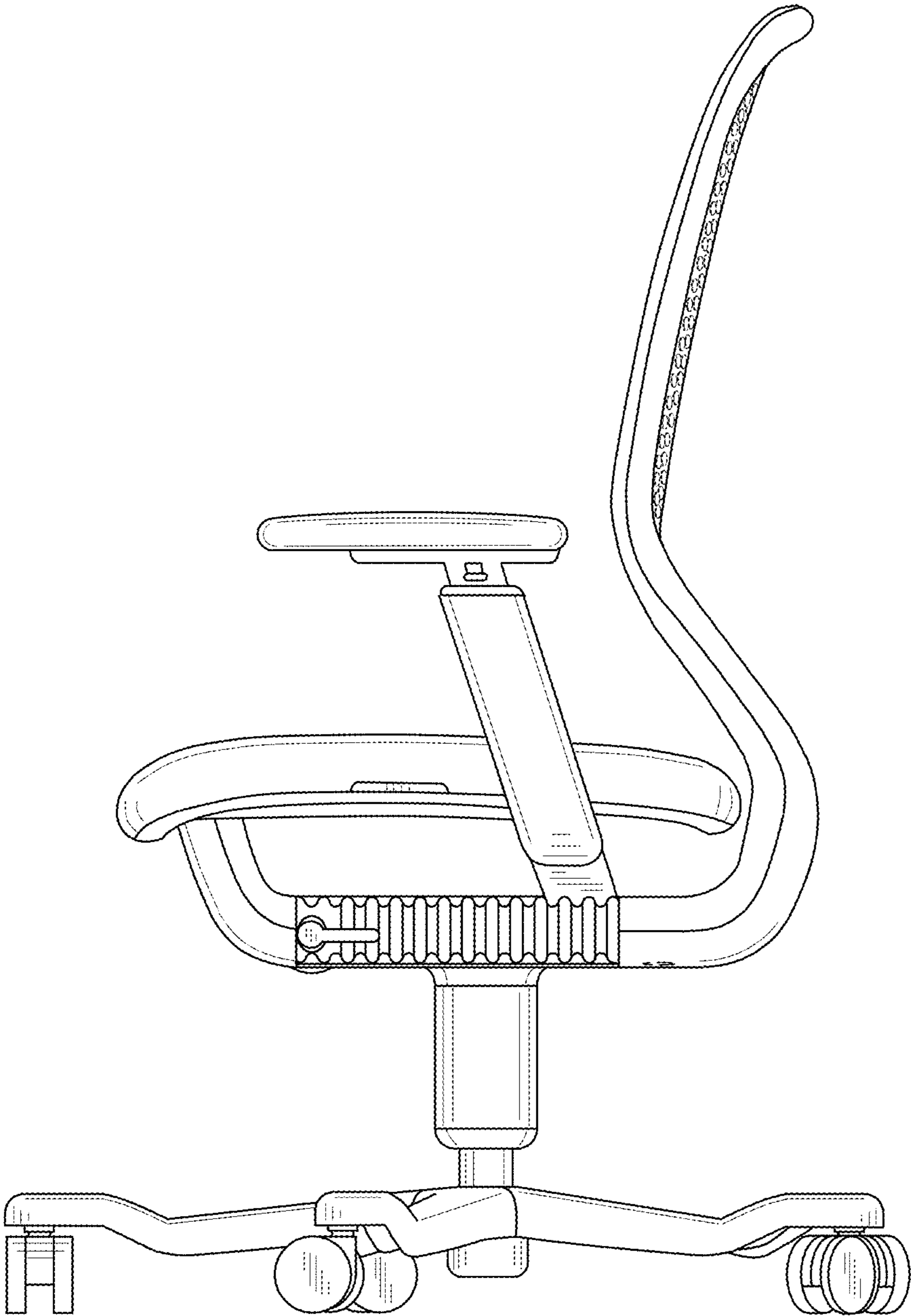


FIG. 7

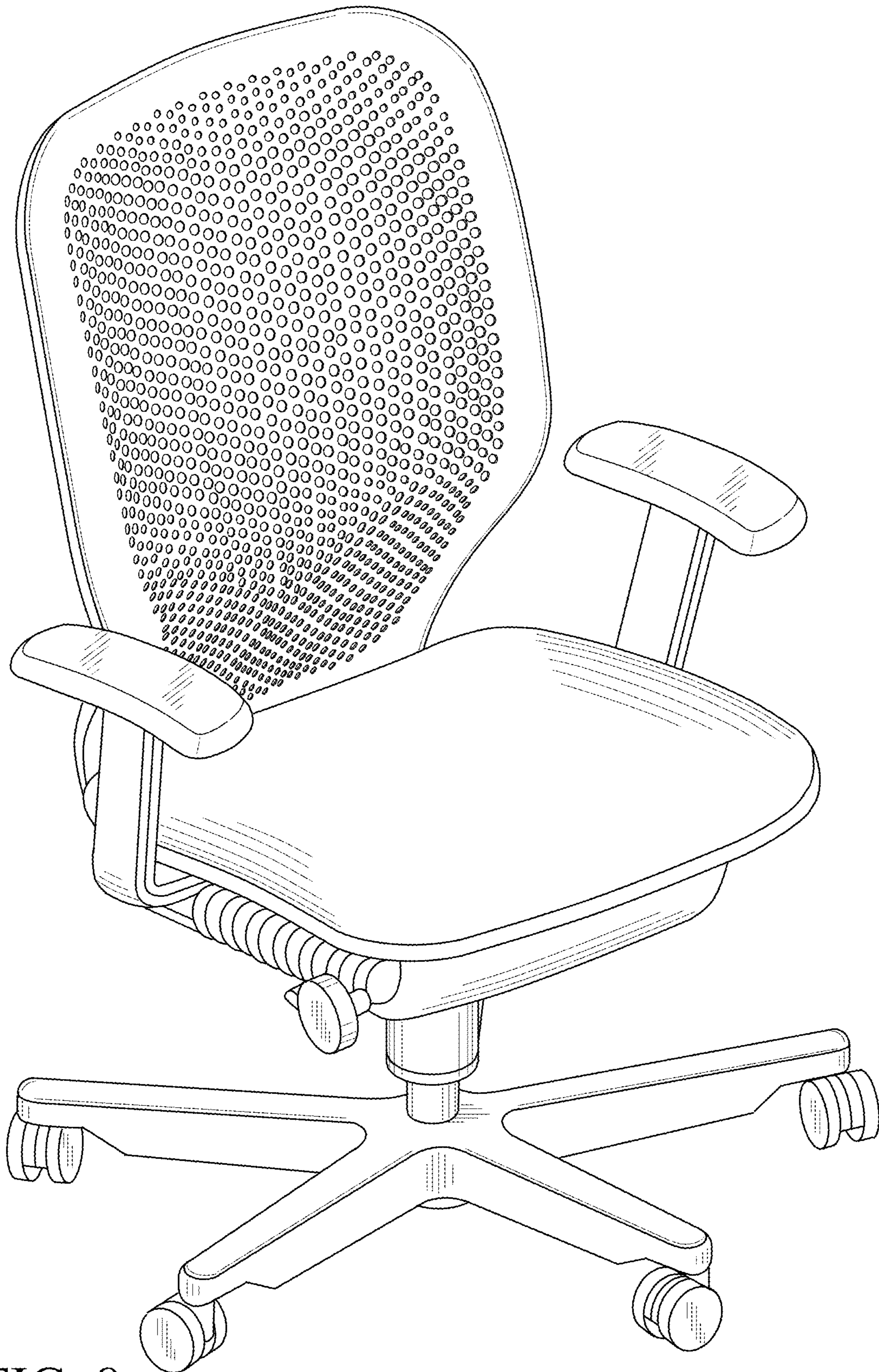


FIG. 8



FIG. 9

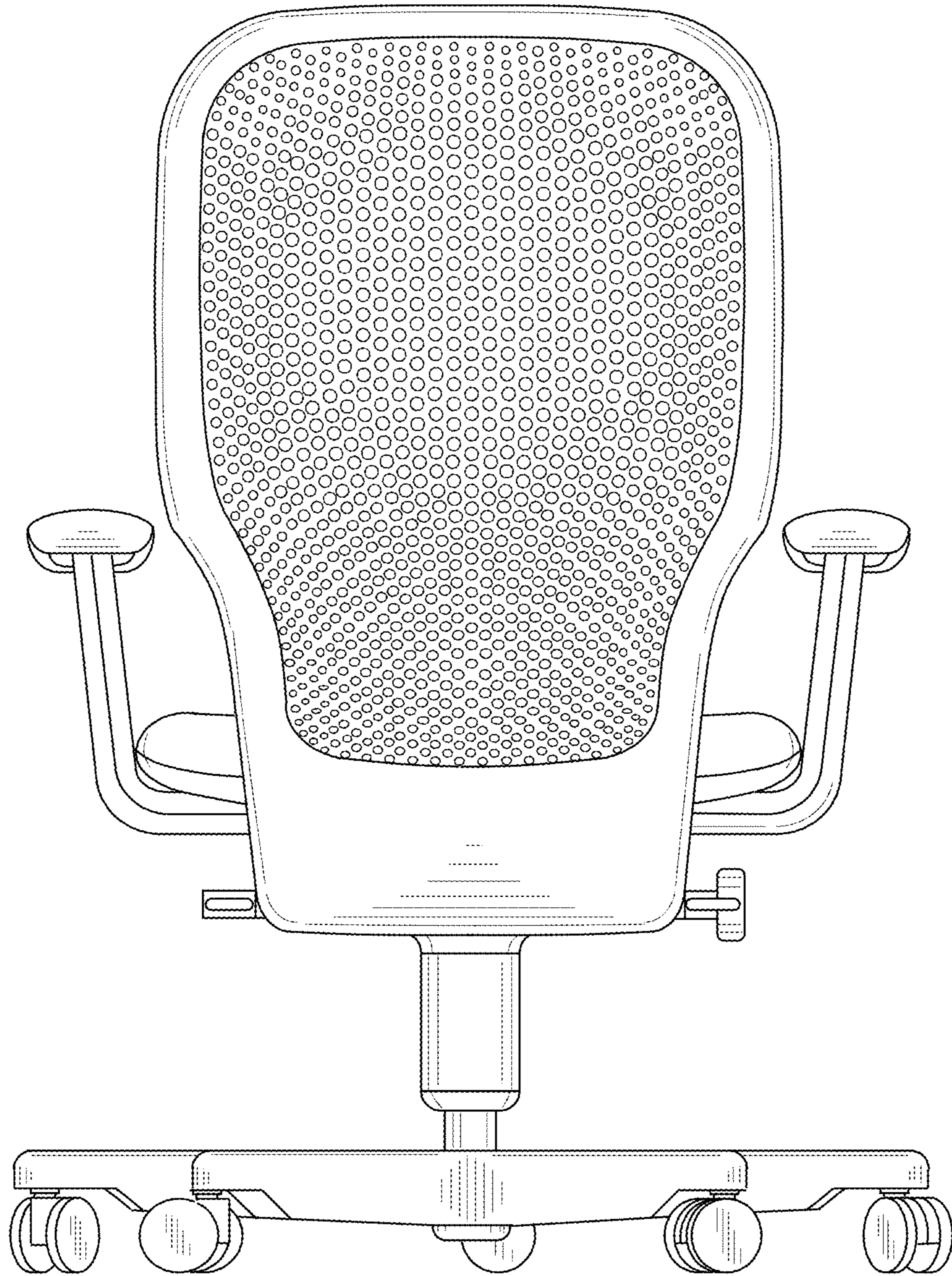


FIG. 10

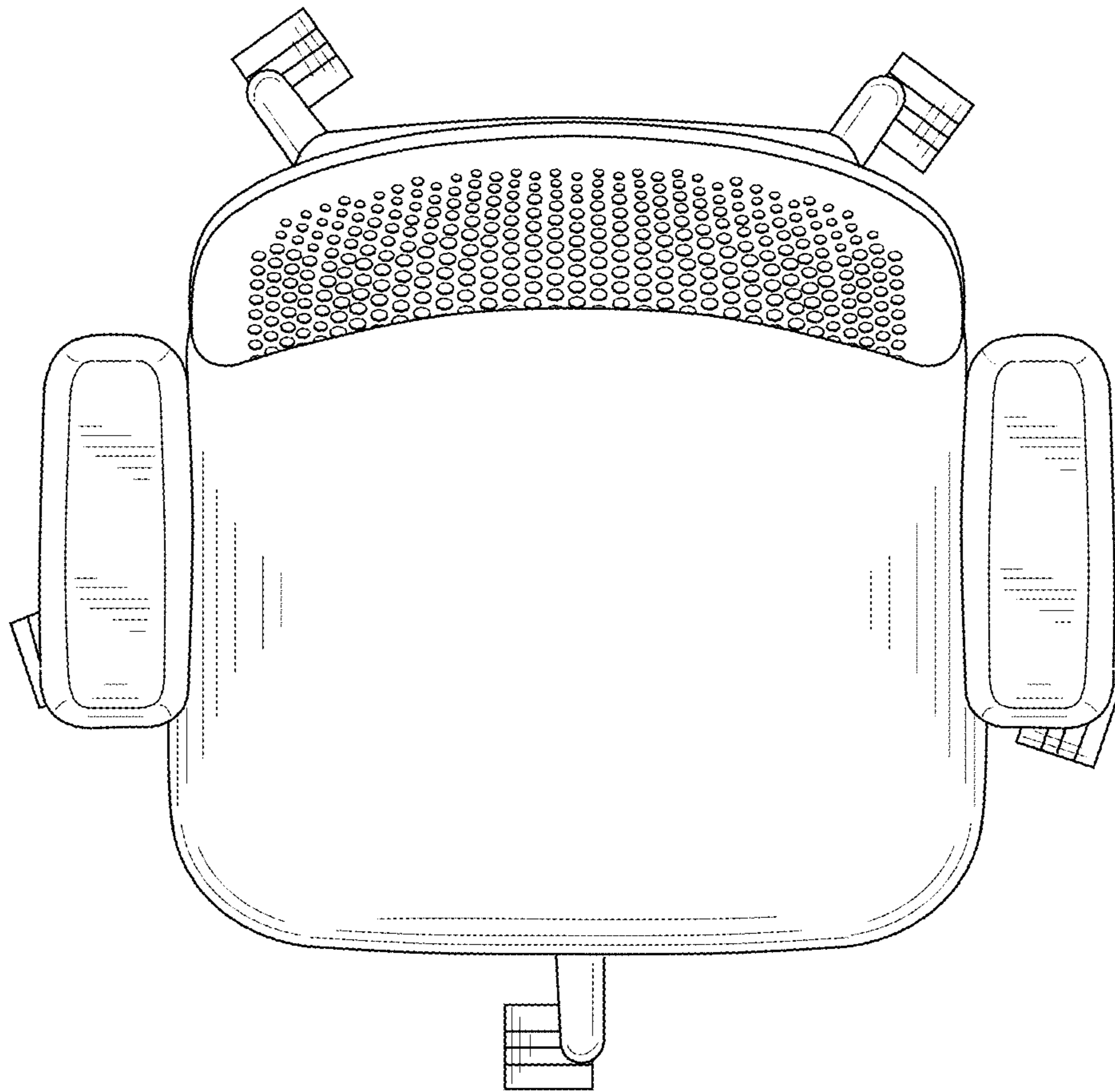


FIG. 11

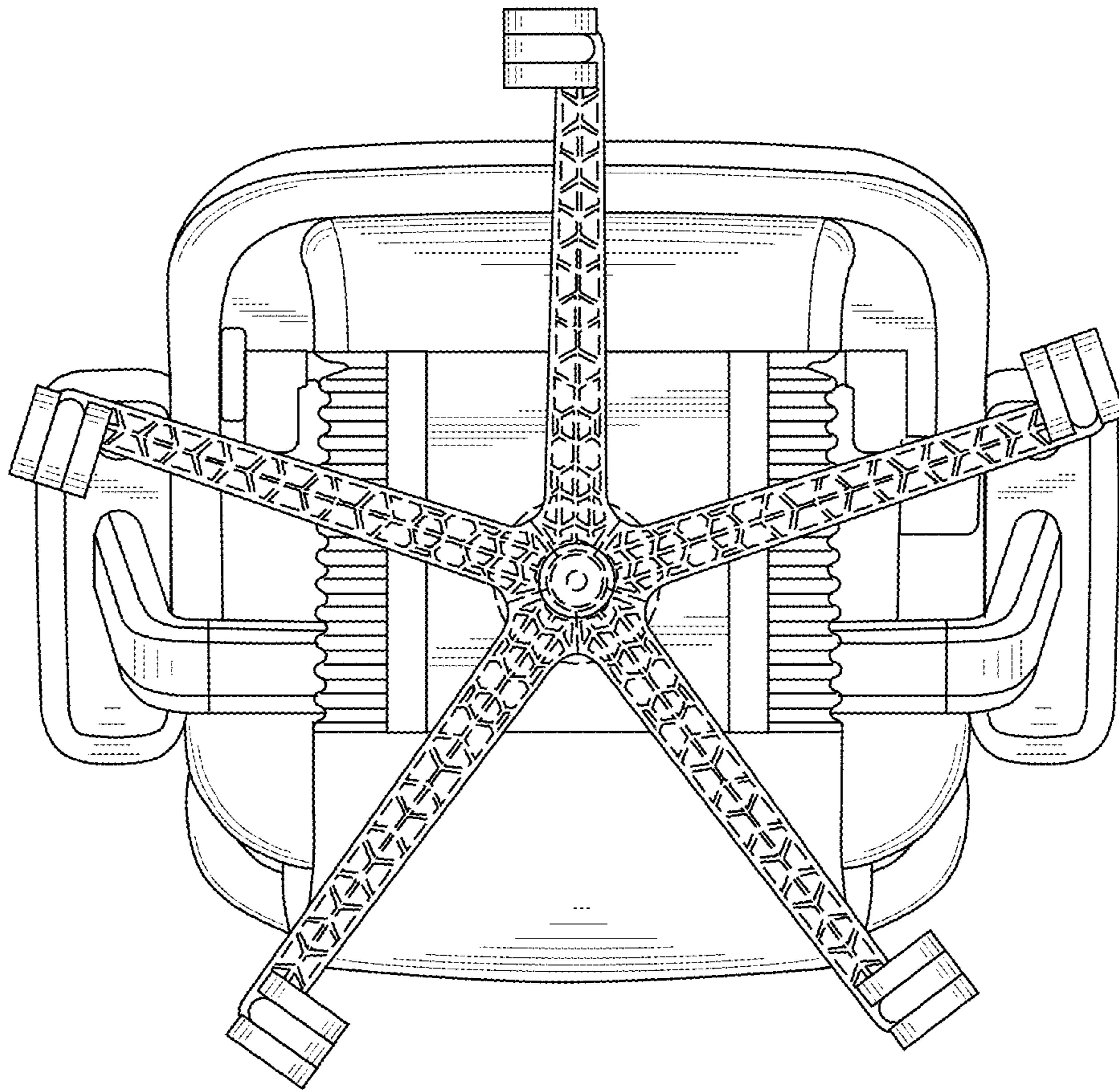


FIG. 12

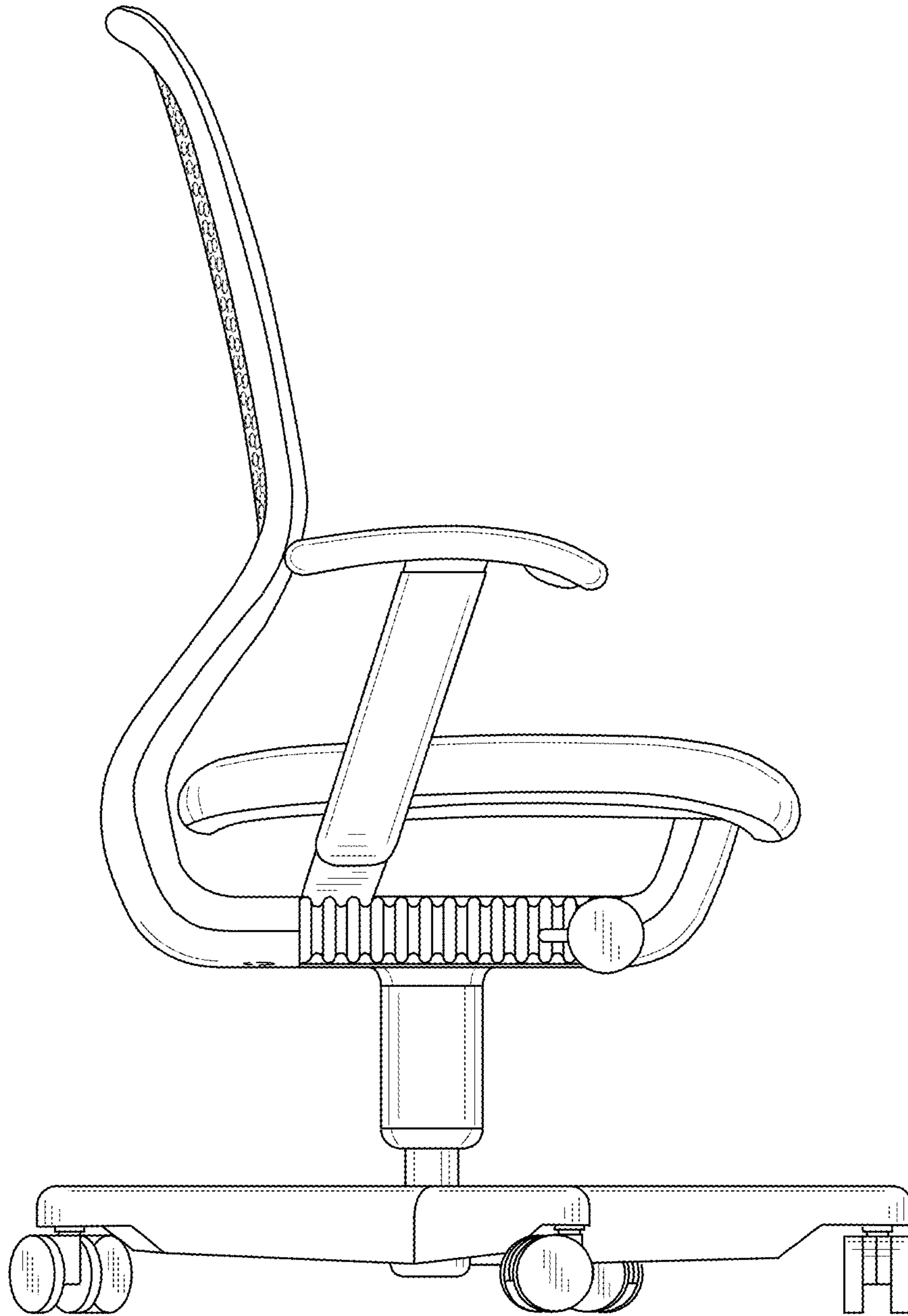


FIG. 13

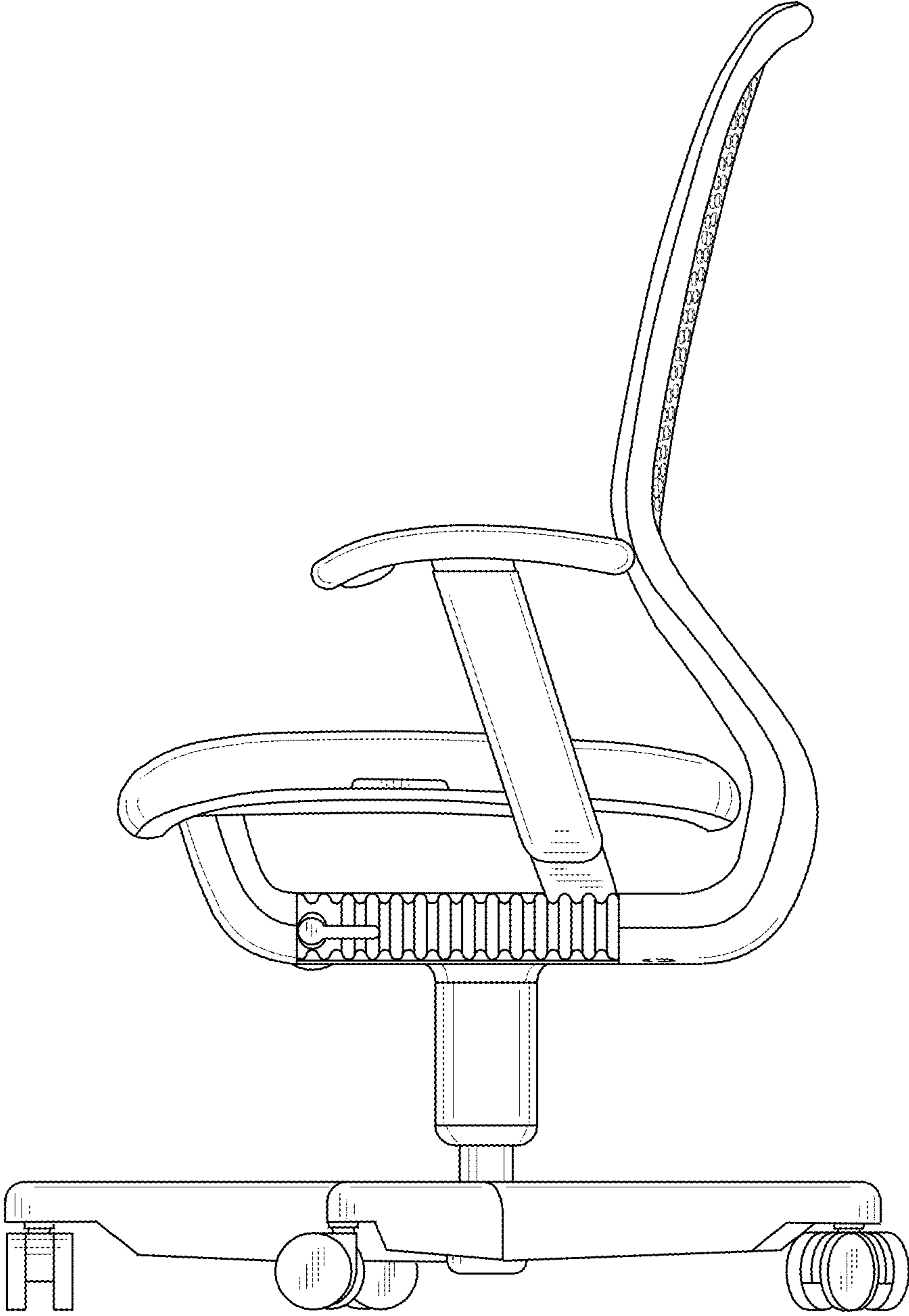


FIG. 14