



US00D907381S

(12) **United States Design Patent**  
**Bourgeois et al.**

(10) **Patent No.:** **US D907,381 S**  
(45) **Date of Patent:** **\*\* Jan. 12, 2021**

(54) **COCKPIT CHAIR**

(71) Applicants: **Philip Bourgeois**, Woodside, CA (US);  
**George Turvey**, Brookdale, CA (US)

(72) Inventors: **Philip Bourgeois**, Woodside, CA (US);  
**George Turvey**, Brookdale, CA (US)

(\*\*) Term: **15 Years**

(21) Appl. No.: **29/701,064**

(22) Filed: **Aug. 8, 2019**

(51) **LOC (13) Cl.** ..... **06-01**

(52) **U.S. Cl.**  
USPC ..... **D6/363**

(58) **Field of Classification Search**  
USPC ..... D6/334, 349, 350, 360, 362, 364, 367,  
D6/368, 374, 375, 379, 380, 716.2, 716.7  
CPC .... A47C 3/00; A47C 3/20; A47C 7/50; A47C  
7/54; A47C 4/28; A47C 9/007; A47C  
16/02; A47C 1/00; A47C 1/02; A47C  
1/03; A47C 1/024; A47C 1/037  
See application file for complete search history.

(56) **References Cited**

**U.S. PATENT DOCUMENTS**

D246,812 S \* 1/1978 Canter ..... D6/375  
D284,811 S \* 7/1986 Bakker ..... D6/363  
D408,643 S \* 4/1999 Edwards ..... D6/373  
D638,229 S \* 5/2011 Lewis ..... D6/334  
D746,075 S \* 12/2015 Lievore ..... D6/364  
D816,359 S \* 5/2018 Bendtzen ..... D6/360  
D831,989 S \* 10/2018 Gufler ..... D6/334

10,130,180 B2 \* 11/2018 Frankel ..... A47C 4/02  
D869,190 S \* 12/2019 Lievore ..... D6/375  
D880,173 S \* 4/2020 Killinger ..... D6/334  
D889,858 S \* 7/2020 Koldova ..... D6/334  
D893,912 S \* 8/2020 Wang ..... D6/375  
2009/0218860 A1 \* 9/2009 Hernandez ..... A47C 15/004  
297/217.3

**FOREIGN PATENT DOCUMENTS**

CA 2941093 A1 \* 9/2015 ..... A47C 4/28

\* cited by examiner

*Primary Examiner* — R. Johnson

(74) *Attorney, Agent, or Firm* — Keisling & Pieper PLC;  
David B. Pieper; Trent C. Keisling

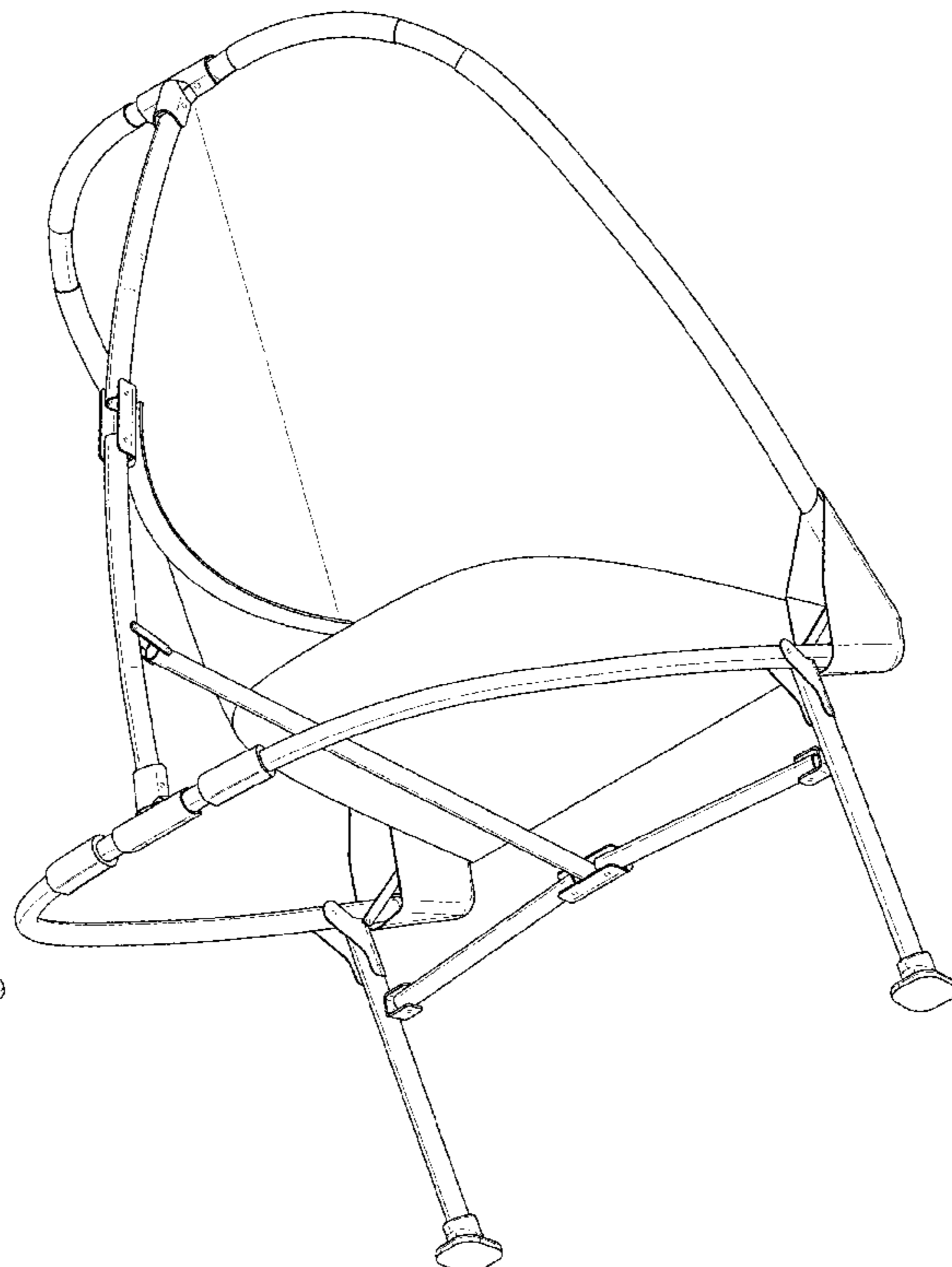
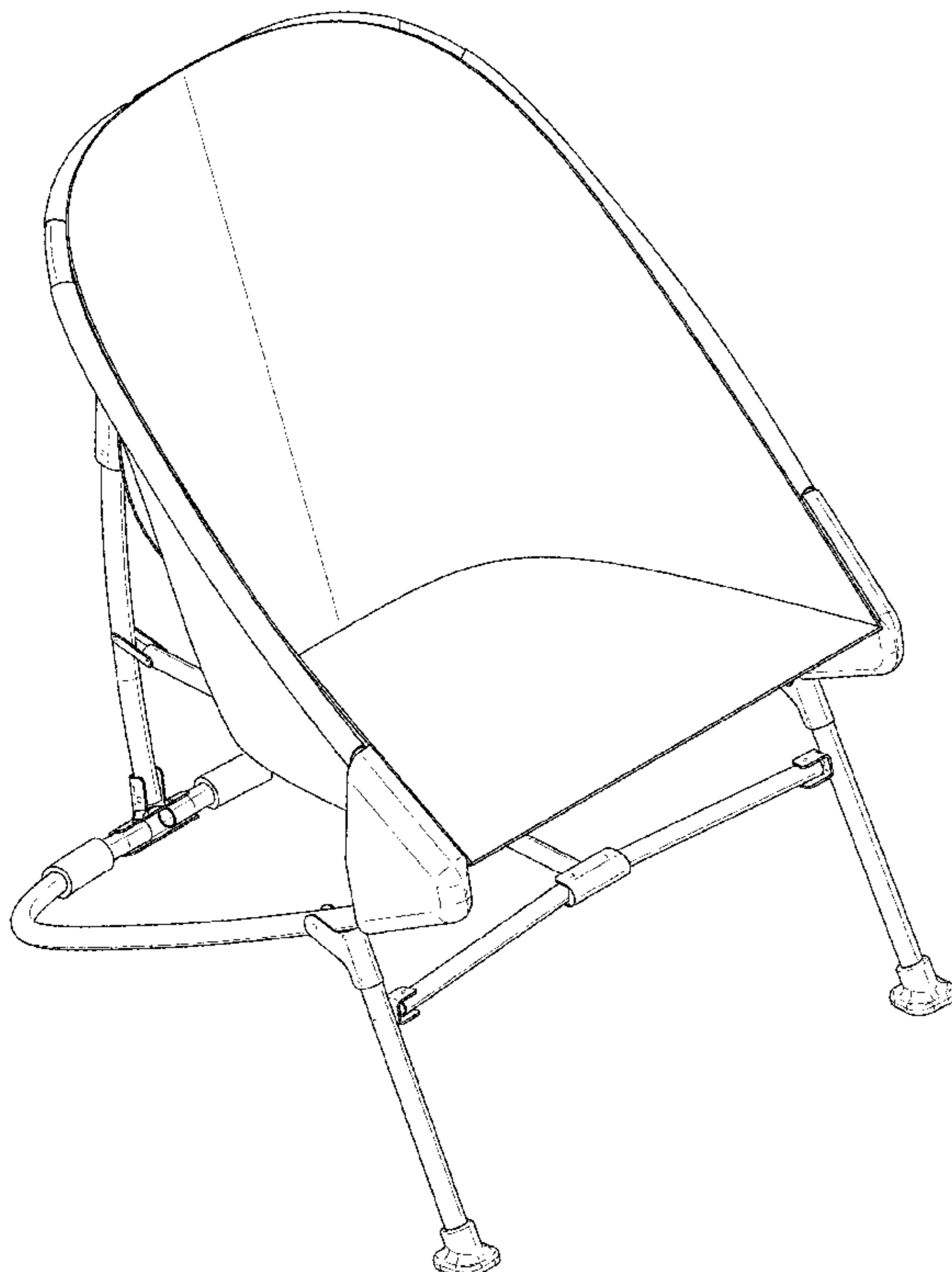
(57) **CLAIM**

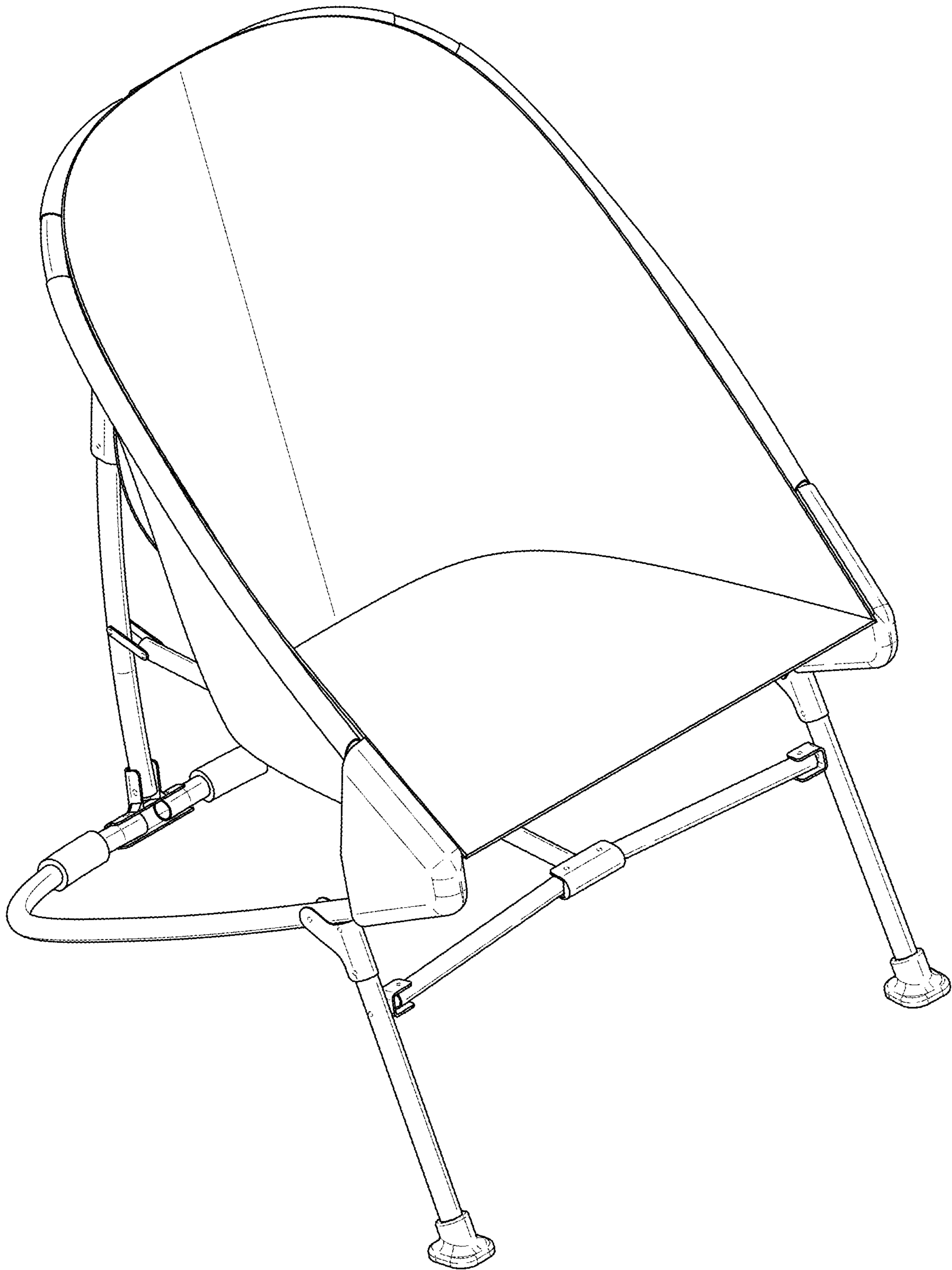
The ornamental design for a cockpit chair, as shown and described.

**DESCRIPTION**

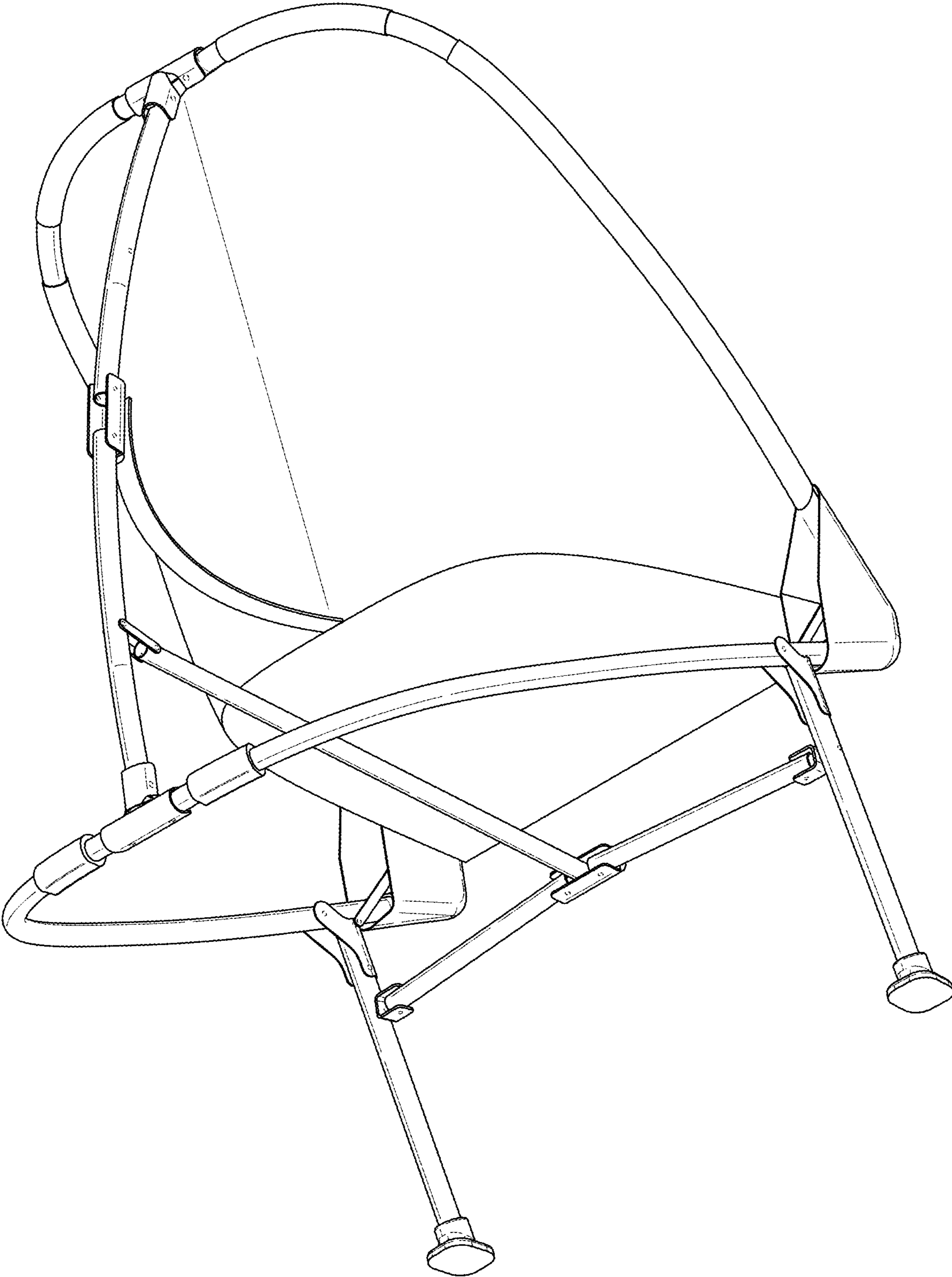
FIG. 1 is a perspective view of a cockpit chair showing my new design;  
FIG. 2 is another perspective view thereof;  
FIG. 3 is a front view thereof;  
FIG. 4 is a back view thereof;  
FIG. 5 is a left side view thereof, the right side being a mirror image thereof;  
FIG. 6 is a top view thereof; and,  
FIG. 7 is a bottom view thereof.

**1 Claim, 7 Drawing Sheets**

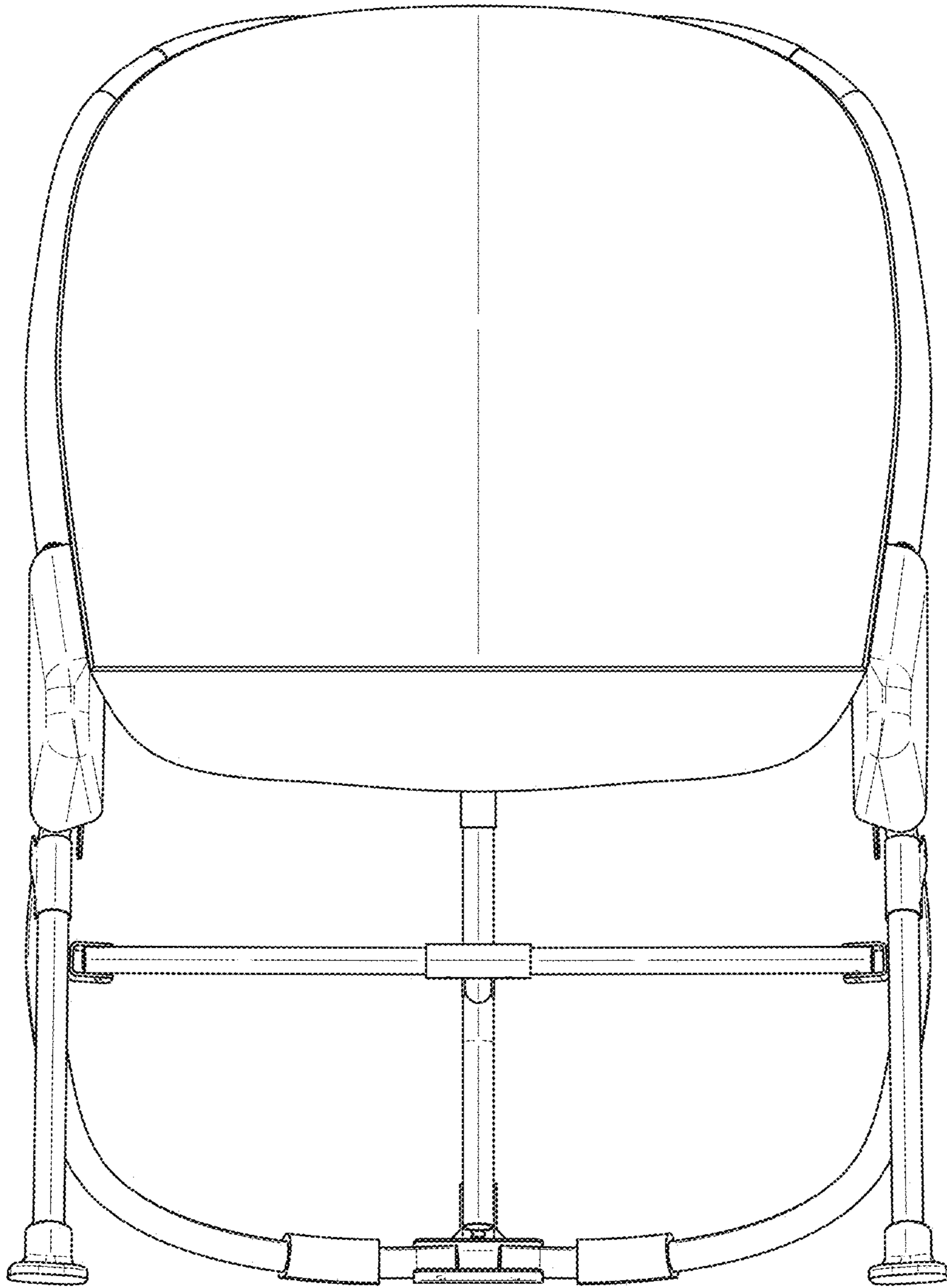




*FIG. 1*

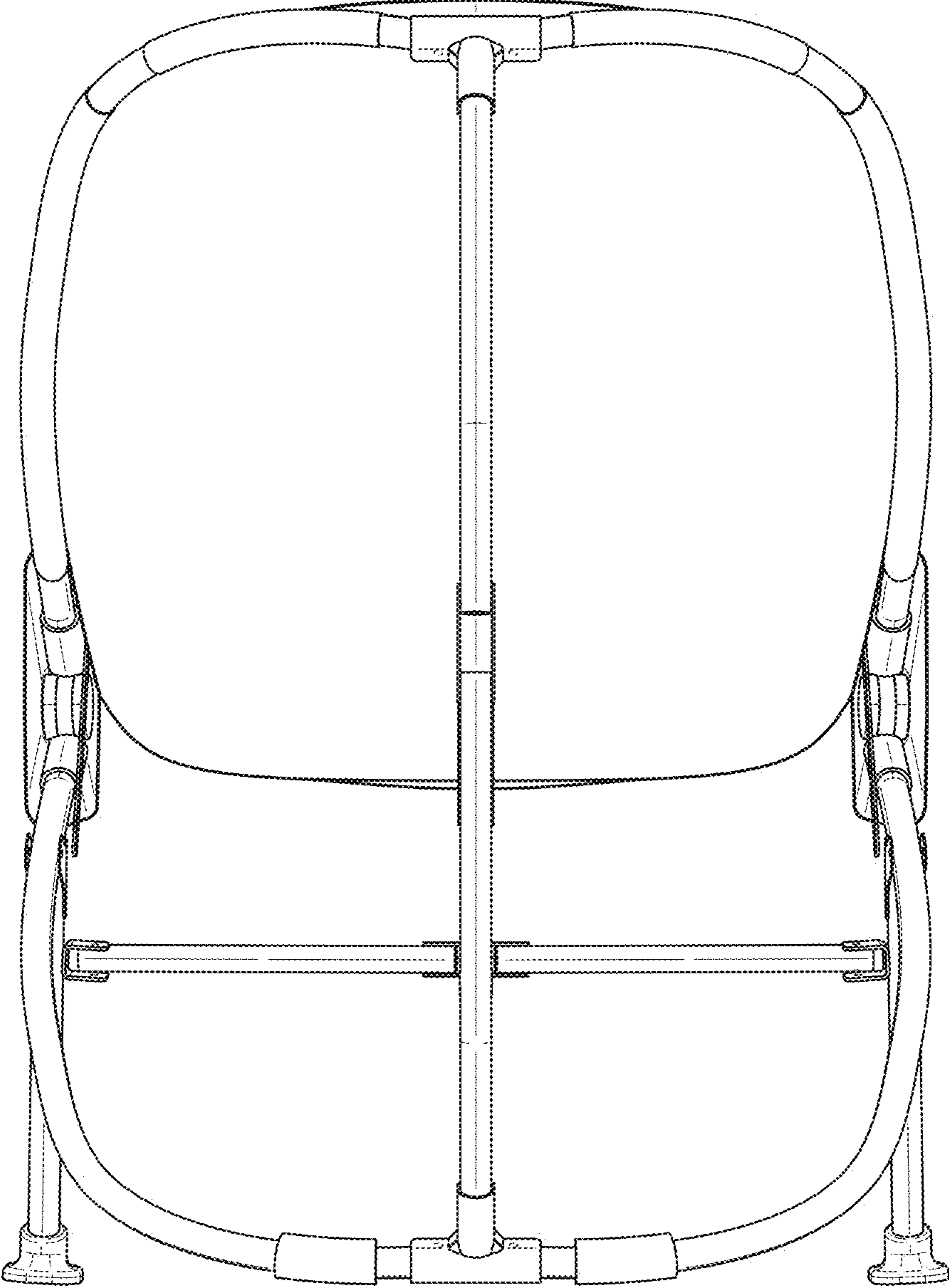


*FIG. 2*

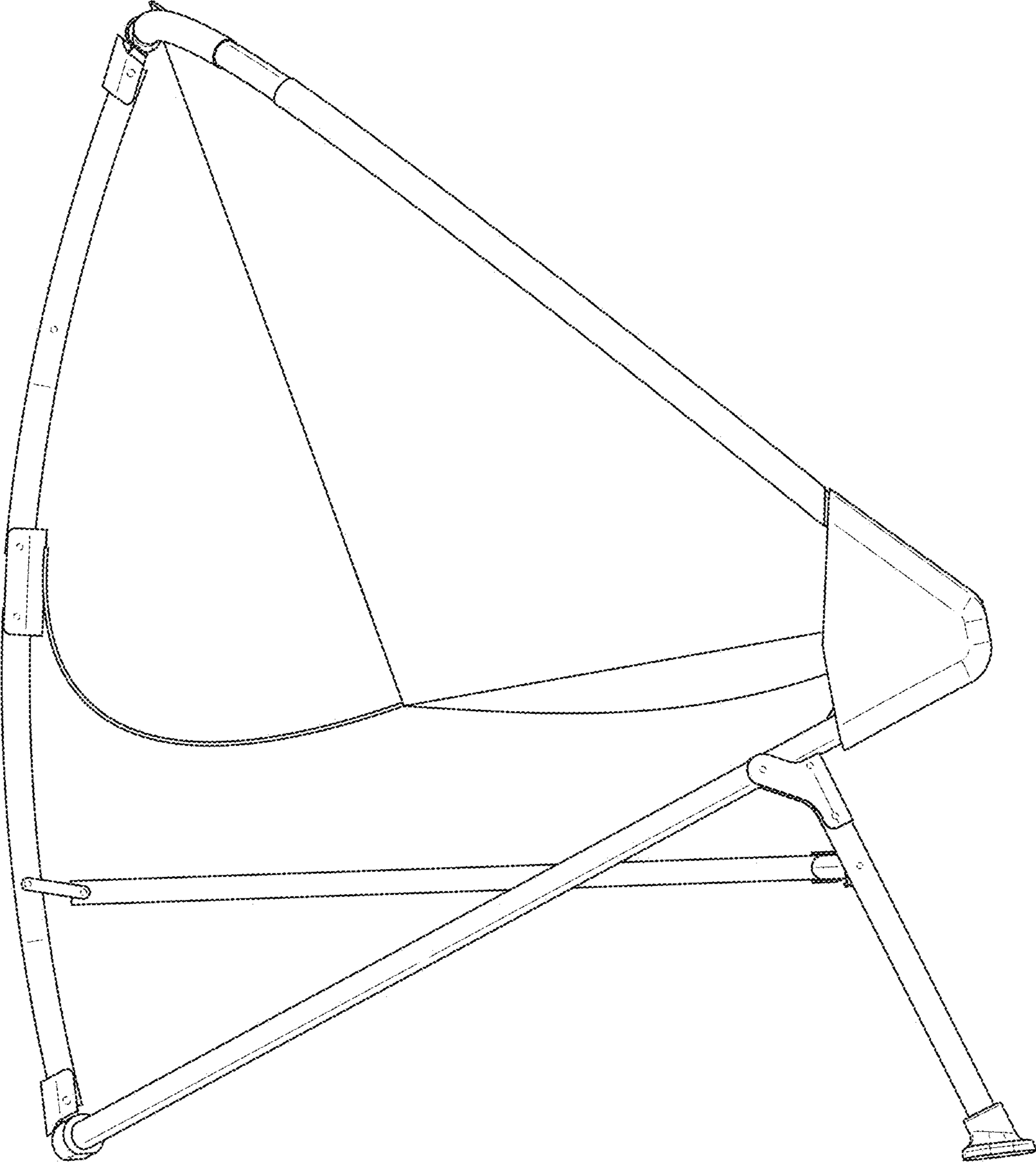


*FIG. 3*

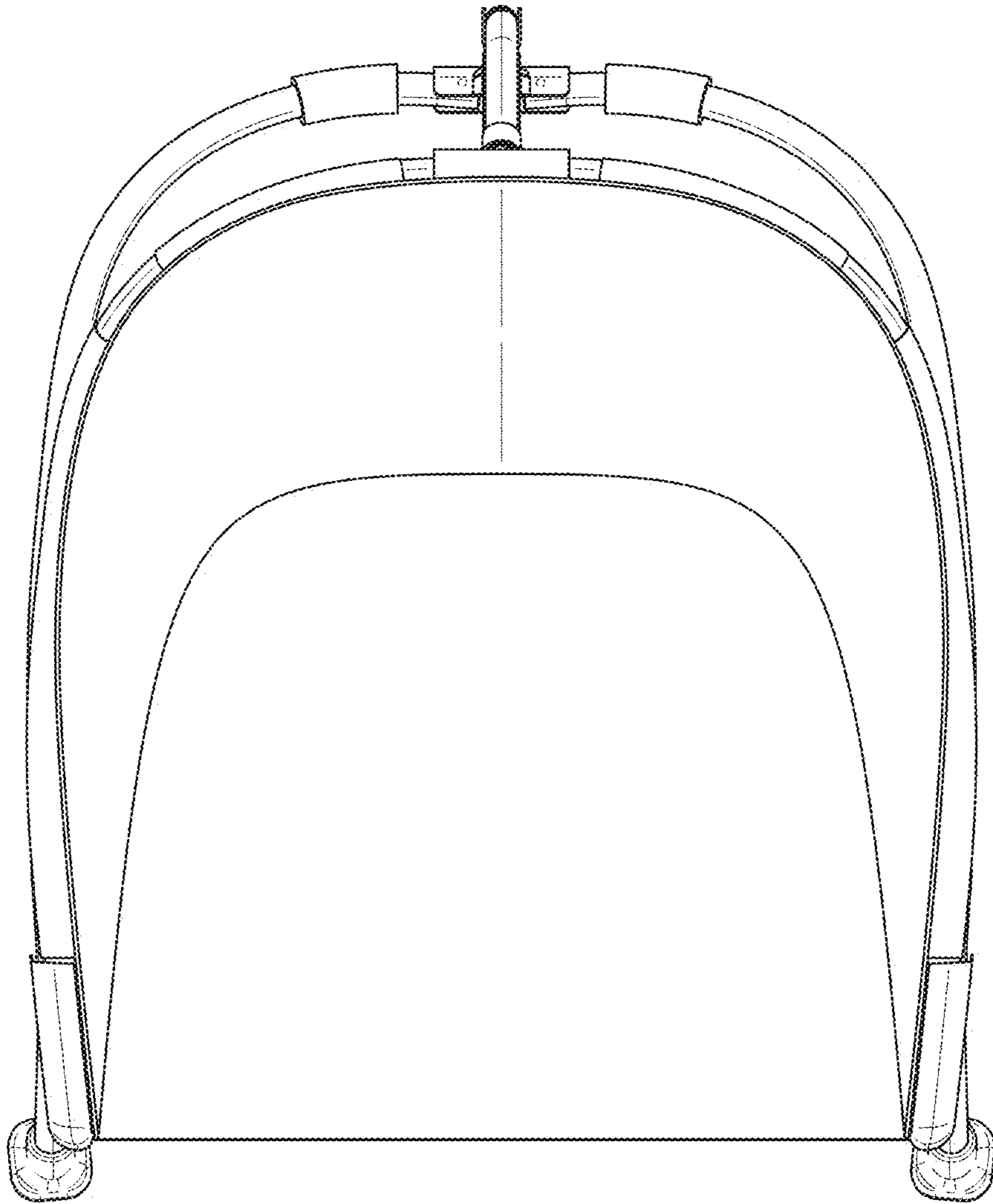




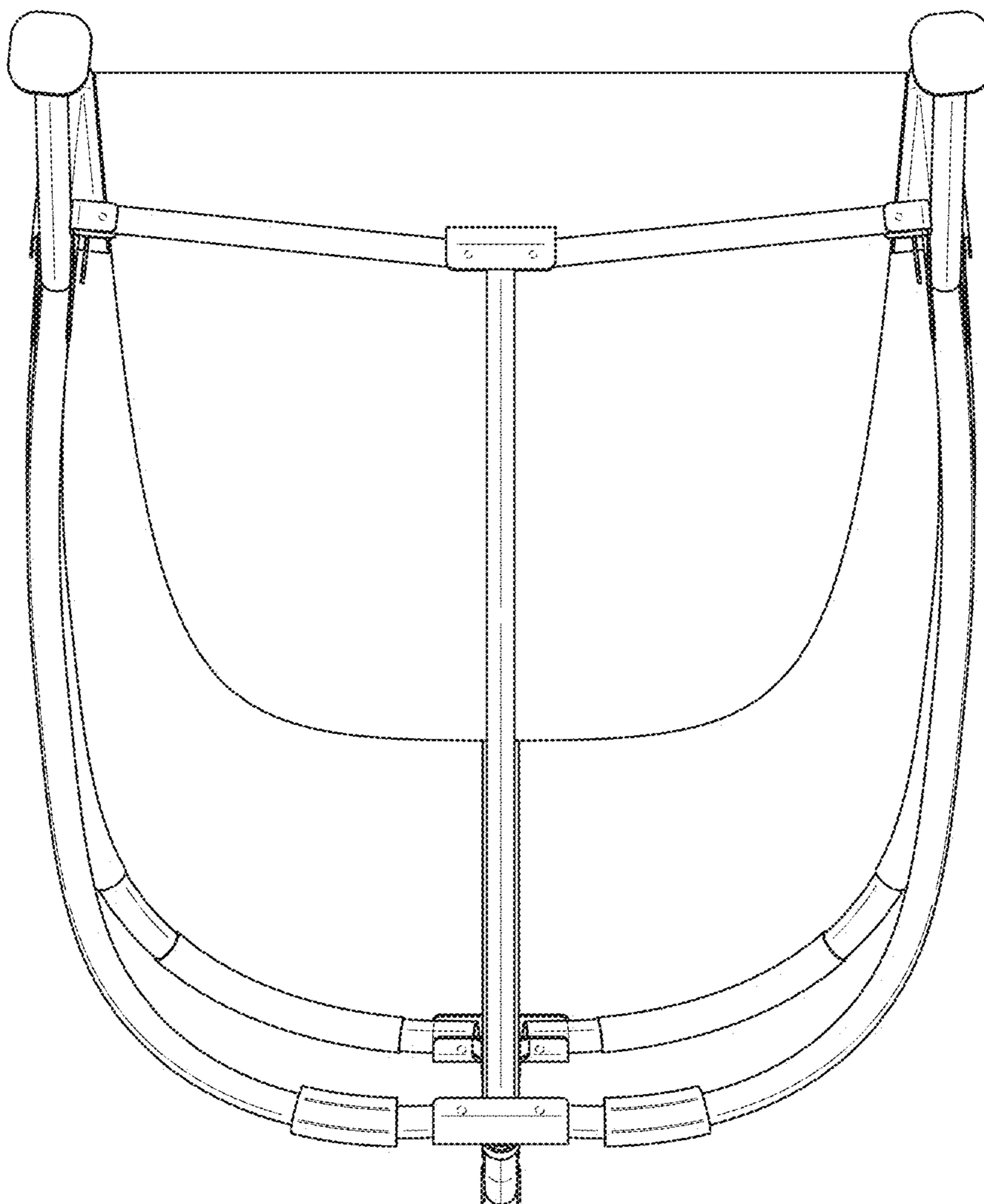
*FIG. 4*



*FIG. 5*



*FIG. 6*



*FIG. 7*