



US00D907379S

(12) **United States Design Patent**  
**Pankratz**

(10) **Patent No.:** **US D907,379 S**  
(45) **Date of Patent:** **\*\* Jan. 12, 2021**

(54) **STEP STOOL**

(71) Applicant: **Comfybumpy, Inc.**, Miami, FL (US)

(72) Inventor: **Brendan Pankratz**, Ozark, MO (US)

(73) Assignee: **Comfybumpy, Inc.**, Miami, FL (US)

(\*\*) Term: **15 Years**

(21) Appl. No.: **29/704,321**

(22) Filed: **Sep. 4, 2019**

(51) **LOC (13) Cl.** ..... **06-01**

(52) **U.S. Cl.**

USPC ..... **D6/350**; D25/65; D6/353; D6/336

(58) **Field of Classification Search**

USPC ..... D6/334–338, 340–343, 349–353, 355,  
D6/364–365, 372, 374, 691–691.1,  
D6/692–692.6, 716–716.1; D25/63, 65

(Continued)

(56) **References Cited**

**U.S. PATENT DOCUMENTS**

183,924 A \* 10/1876 Harrison ..... A47C 12/02  
182/33.3  
1,320,008 A \* 10/1919 Holwick ..... A47C 12/02  
182/33.5

(Continued)

**OTHER PUBLICATIONS**

Kitchen Step Stool & Desk for Toddlers ComfyBumpy. [online] Retrieved Nov. 17, 2020 from URL: <https://www.comfybumpy.com/collections/products/products/kitchen-step-stool-desk-for-toddlers>.\*

Convertible Step Stool Chair. [online] Published on Sep. 8, 2014. Retrieved Nov. 17, 2020 from URL: <https://www.woodworkersjournal.com/build-convertible-step-stool-chair/>.\*

<https://www.facebook.com/pg/MetroFurne/posts/>; Post from Aug. 26, 2017. (PDF p. 36-37).

(Continued)

*Primary Examiner* — Vy N Koenig

(74) *Attorney, Agent, or Firm* — Maskell Law PLLC;  
Benjamin E. Maskell

(57) **CLAIM**

The ornamental design for a step stool, as shown and described.

**DESCRIPTION**

FIG. 1 is an isometric view of a step stool showing my new design in a first configuration showing a front, right side, and top of the step stool;

FIG. 2 is an isometric view of the step stool in a first configuration showing a back, right side, and top of the step stool;

FIG. 3 is an isometric view of the step stool in a first configuration showing a back, left side, and top of the step stool;

FIG. 4 is an isometric view of the step stool in a first configuration showing a front, left side, and top of the step stool;

FIG. 5 is a back side view of the step stool in a first configuration;

FIG. 6 is a top side view of the step stool in a first configuration;

FIG. 7 is a right side view of the step stool in a first configuration;

FIG. 8 is a left side view of the step stool in a first configuration;

FIG. 9 is a front side view of the step stool in a first configuration;

FIG. 10 is a bottom side view of the step stool in a first configuration;

FIG. 11 is an isometric view of the step stool in a first configuration showing a front, left side, and bottom of the step stool;

FIG. 12 is an isometric view of the step stool in a first configuration showing a front, right side, and bottom of the step stool;

FIG. 13 is an isometric view of the step stool in a first configuration showing a back, right side, and bottom of the step stool;

(Continued)

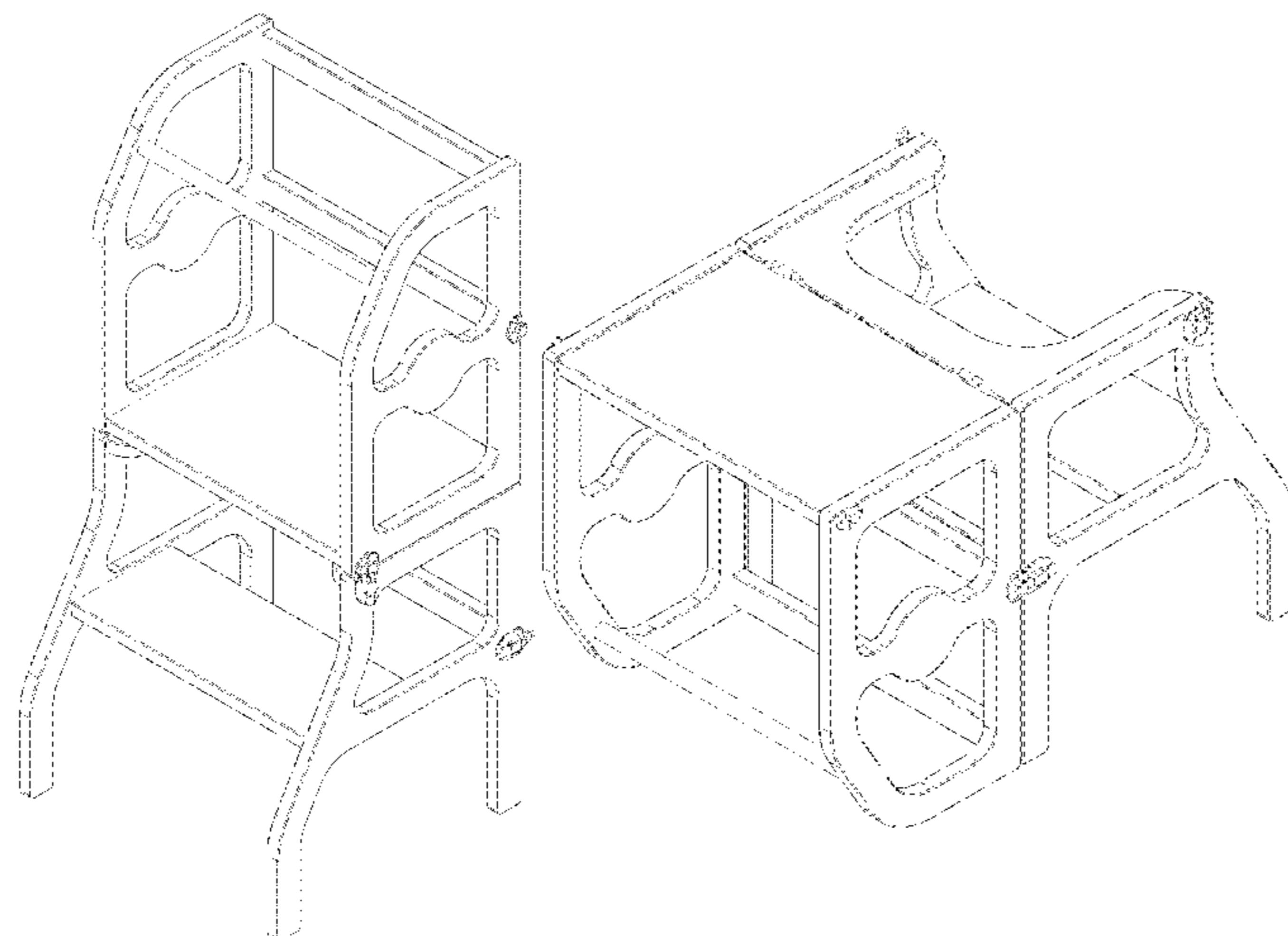


FIG. 14 is an isometric view of the step stool in a first configuration showing a back, left side, and bottom of the step stool;

FIG. 15 is an isometric view of the step stool in a second configuration showing a front, right side, and top of the step stool;

FIG. 16 is an isometric view of the step stool in a second configuration showing a back, right side, and top of the step stool;

FIG. 17 is an isometric view of the step stool in a second configuration showing a back, left side, and top of the step stool;

FIG. 18 is an isometric view of the step stool in a second configuration showing a front, left side, and top of the step stool;

FIG. 19 is a back side view of the step stool in a second configuration;

FIG. 20 is a top side view of the step stool in a second configuration;

FIG. 21 is a right side view of the step stool in a second configuration;

FIG. 22 is a left side view of the step stool in a second configuration;

FIG. 23 is a front side view of the step stool in a second configuration;

FIG. 24 is a bottom side view of the step stool in a second configuration;

FIG. 25 is an isometric view of the step stool in a second configuration showing a front, left side, and bottom of the step stool;

FIG. 26 is an isometric view of the step stool in a second configuration showing a front, right side, and bottom of the step stool;

FIG. 27 is an isometric view of the step stool in a second configuration showing a back, right side, and bottom of the step stool; and,

FIG. 28 is an isometric view of the step stool in a second configuration showing a back, left side, and bottom of the step stool.

The broken lines in the drawings depict environmental subject matter and form no part of the claimed design.

**1 Claim, 28 Drawing Sheets**

(58) **Field of Classification Search**

CPC ..... A47B 7/00-02; A47C 11/00; A47C 12/00;  
A47C 13/00; A47C 16/00; A47C  
16/02-04; A47C 9/00-105; A47K 17/02;  
A47K 17/028

See application file for complete search history.

(56) **References Cited**

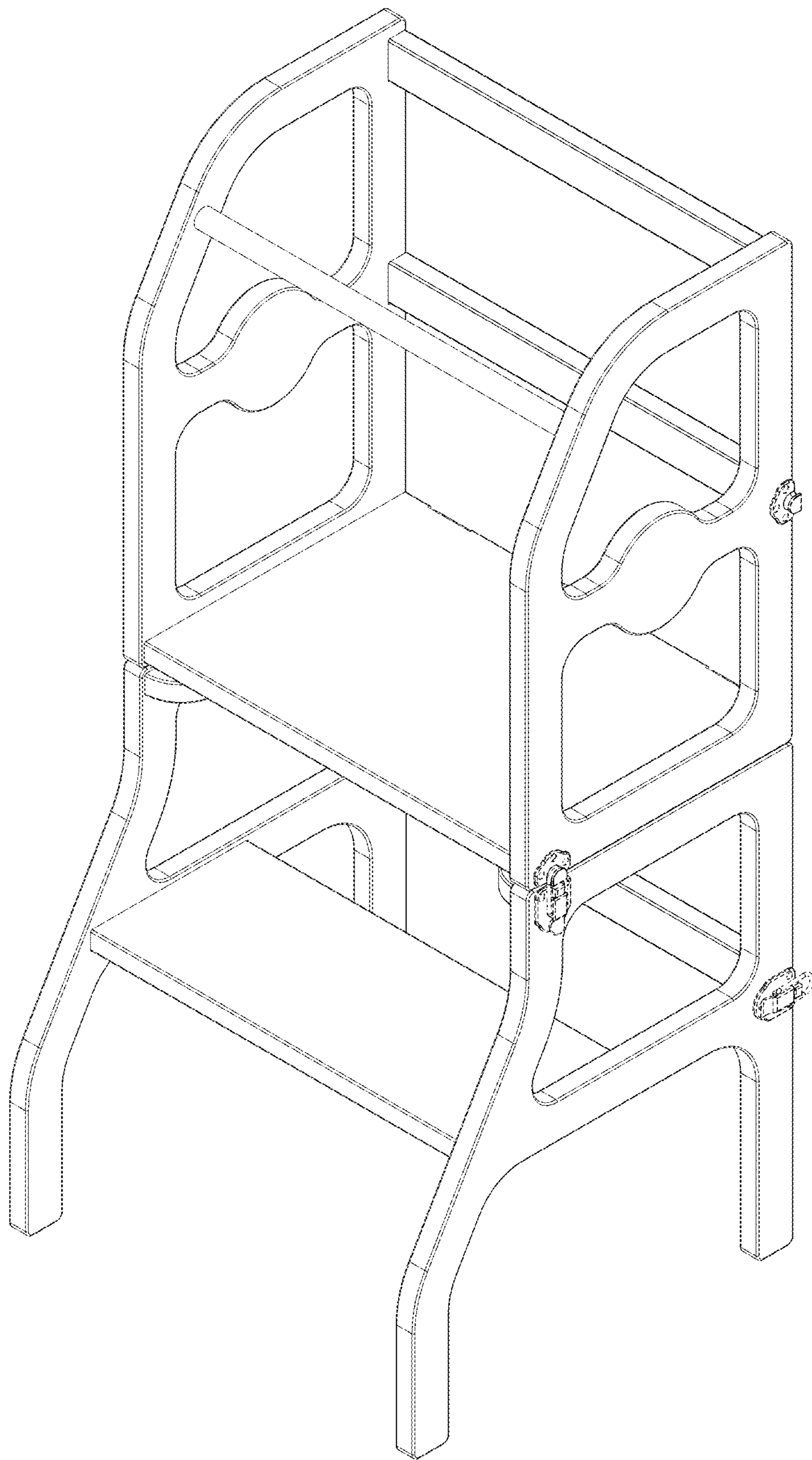
U.S. PATENT DOCUMENTS

D59,223	S	*	10/1921	Headley .....	D6/374
1,950,591	A	*	3/1934	Bing .....	A47C 12/02 182/33.2
3,072,216	A	*	1/1963	Soans .....	A47C 12/02 182/33.6
4,276,955	A	*	7/1981	Hickman .....	E06C 1/005 182/33
4,618,183	A	*	10/1986	Bauer .....	A47C 13/00 297/2
D351,739	S	*	10/1994	Cannon .....	D25/65
D471,727	S	*	3/2003	King .....	D6/333
D537,641	S	*	3/2007	Byers, II .....	D6/335
D577,209	S	*	9/2008	Prent-de Jong .....	D6/333
D665,927	S	*	8/2012	Kieffer .....	D25/65
D797,955	S	*	9/2017	Wilbur .....	D25/65
D834,842	S	*	12/2018	Baiera .....	D6/349
D834,843	S	*	12/2018	Riekstina-Snore et al.	
D887,022	S	*	6/2020	Saccoccio .....	E04H 15/62 D25/63
2011/0209946	A1	*	9/2011	Leng .....	E06C 7/083 182/129

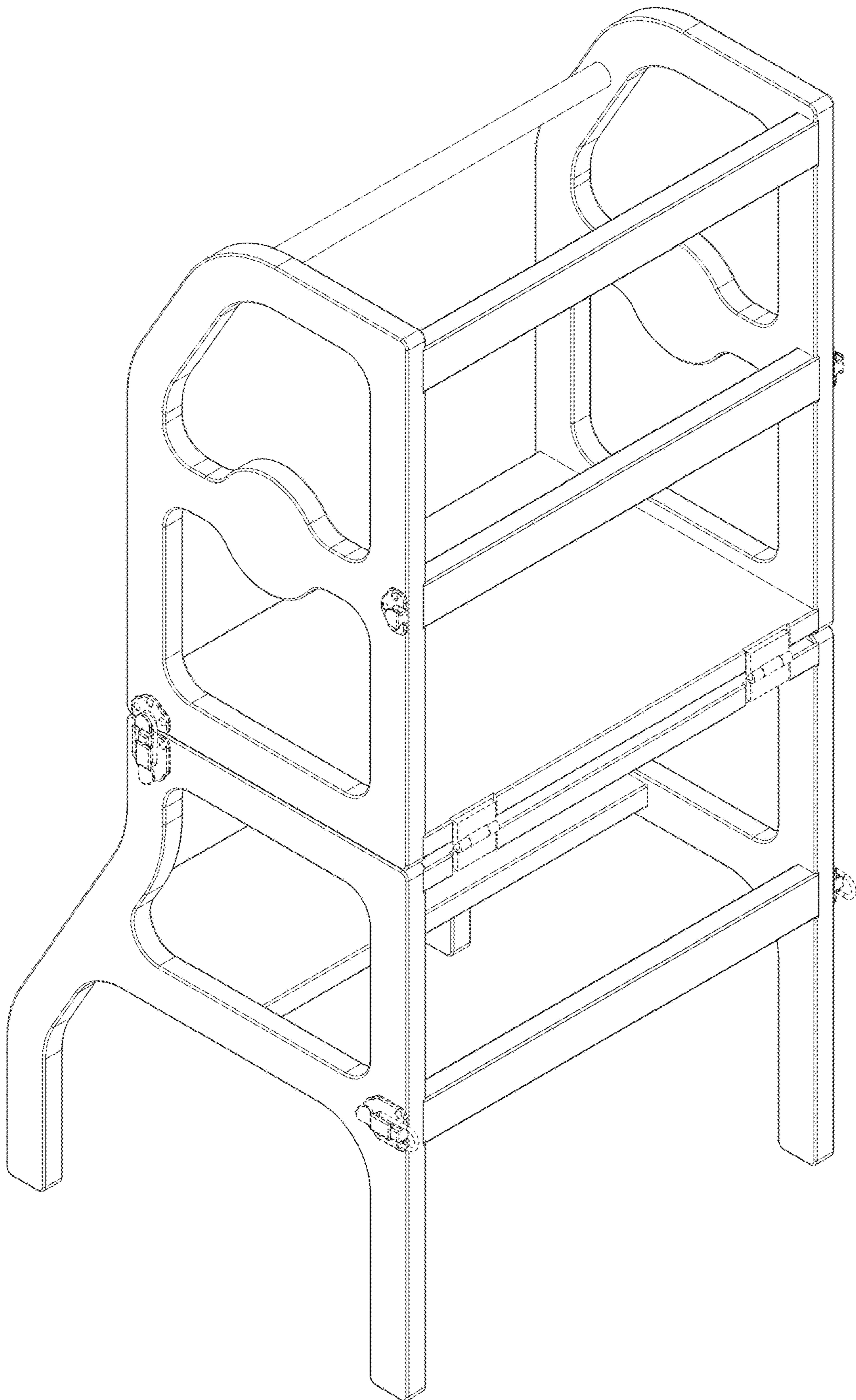
OTHER PUBLICATIONS

Shop Drawings dated Nov. 16, 2016.  
<https://www.theprojectmommyger.net/post/top-ways-to-use-the-convertible-learning-tower> Post from Dec. 30, 2017.  
[woodarchivist.com/2478-chair-step-stool-plans/](http://woodarchivist.com/2478-chair-step-stool-plans/) (Date unknown).  
Instructables; <https://www.instructables.com/id/Kids-Leaming-Tower-Work-Desk-for-30/> (2017).

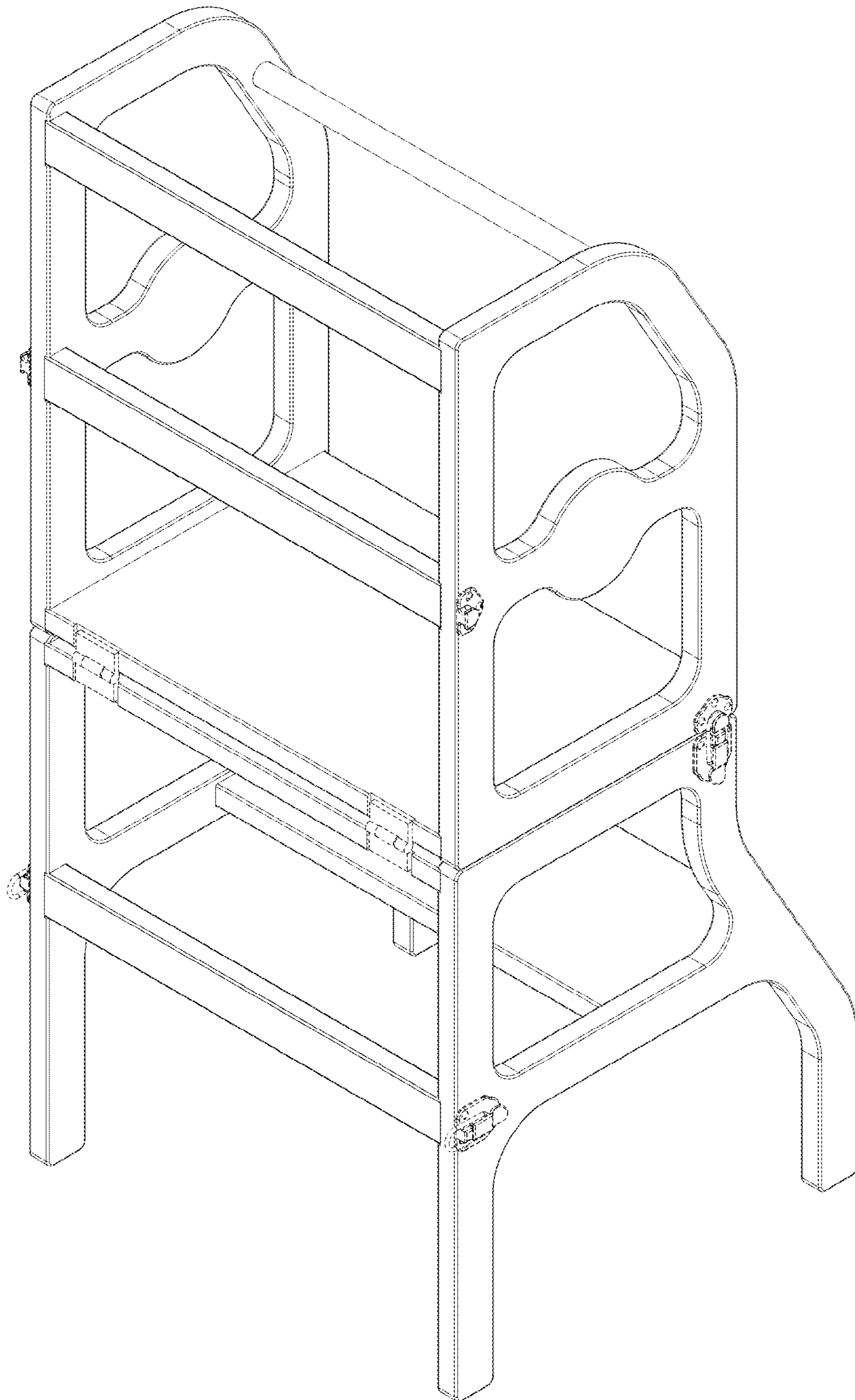
\* cited by examiner



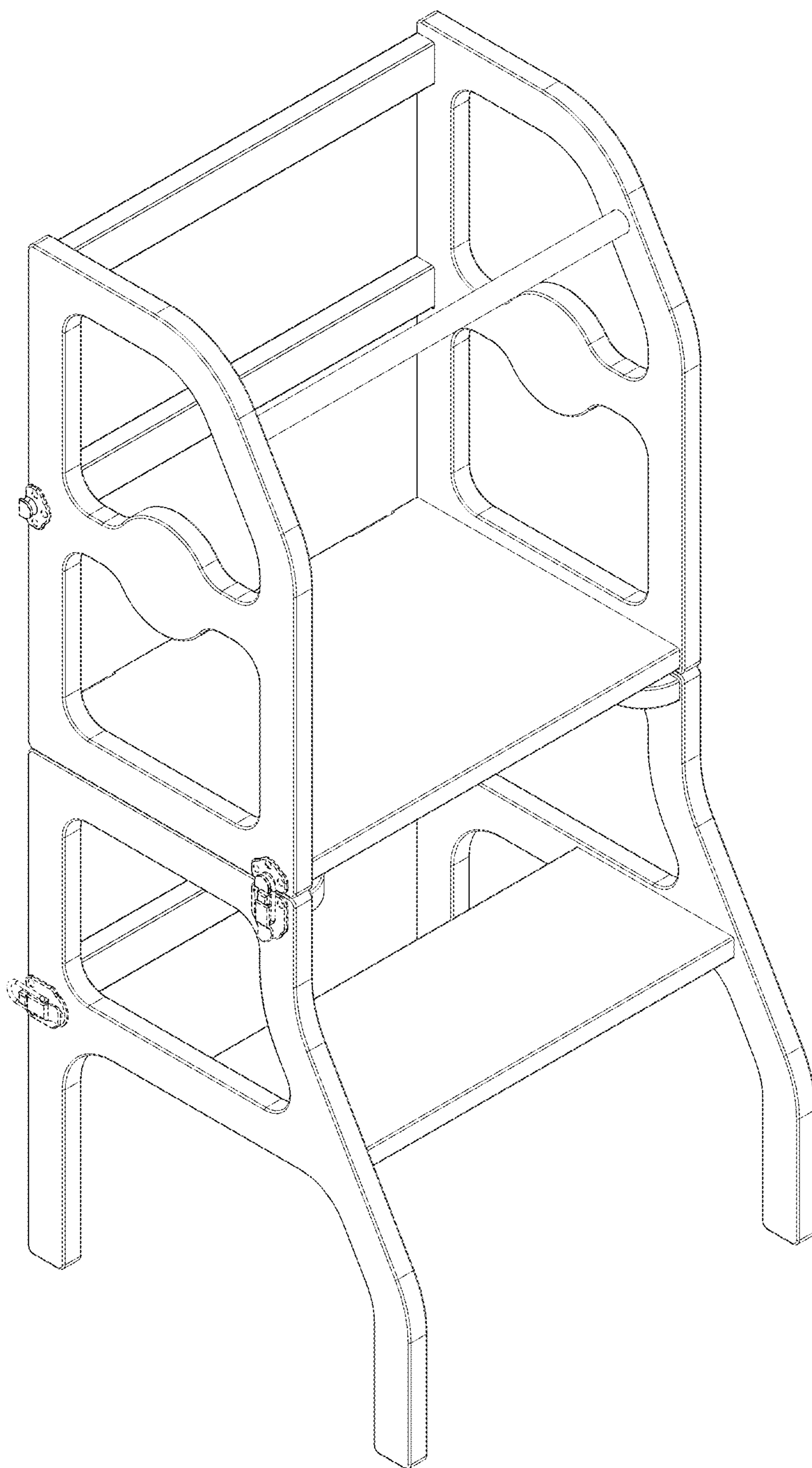
**FIG. 1**



**FIG. 2**



**FIG. 3**



**FIG. 4**

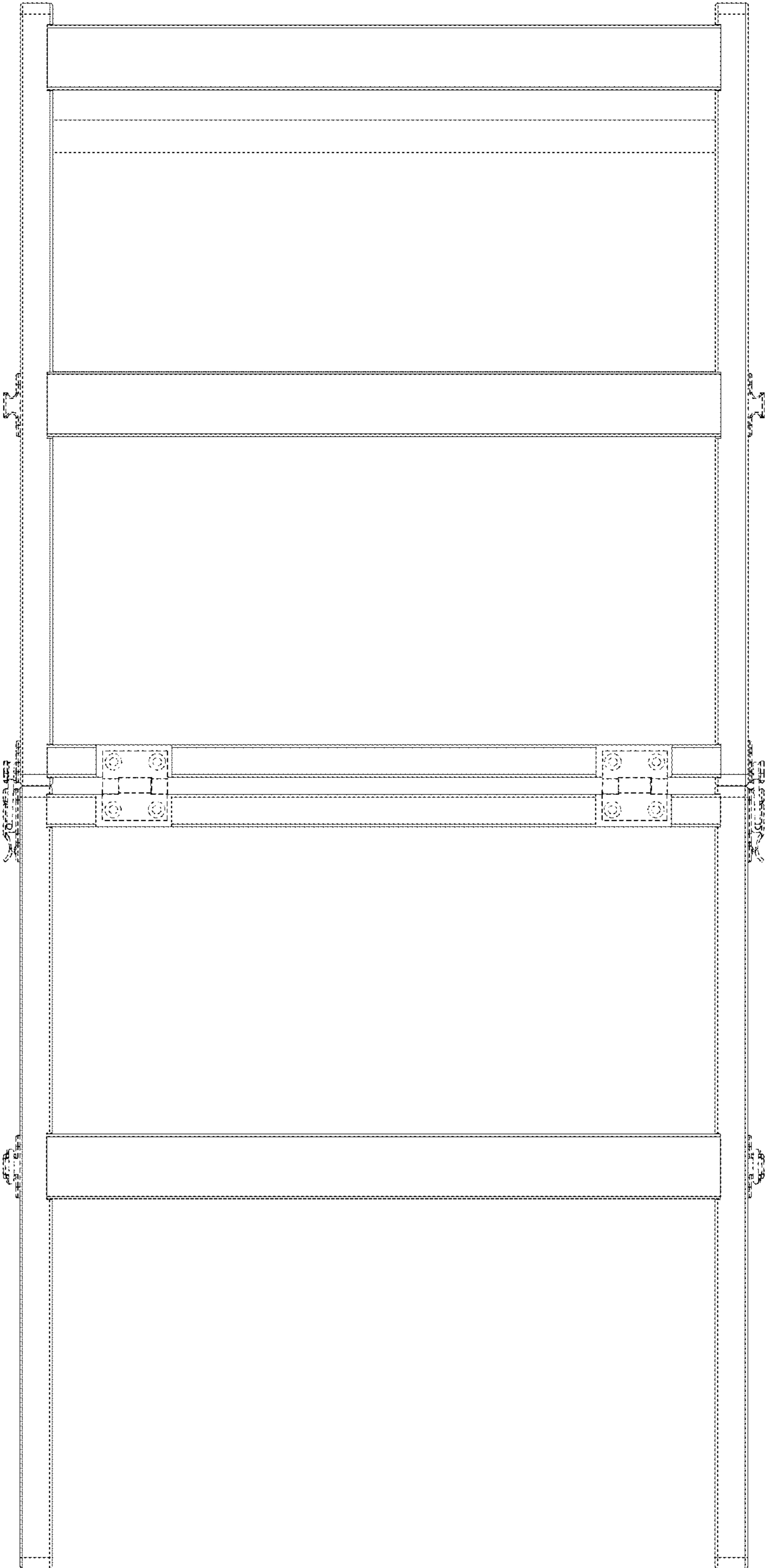
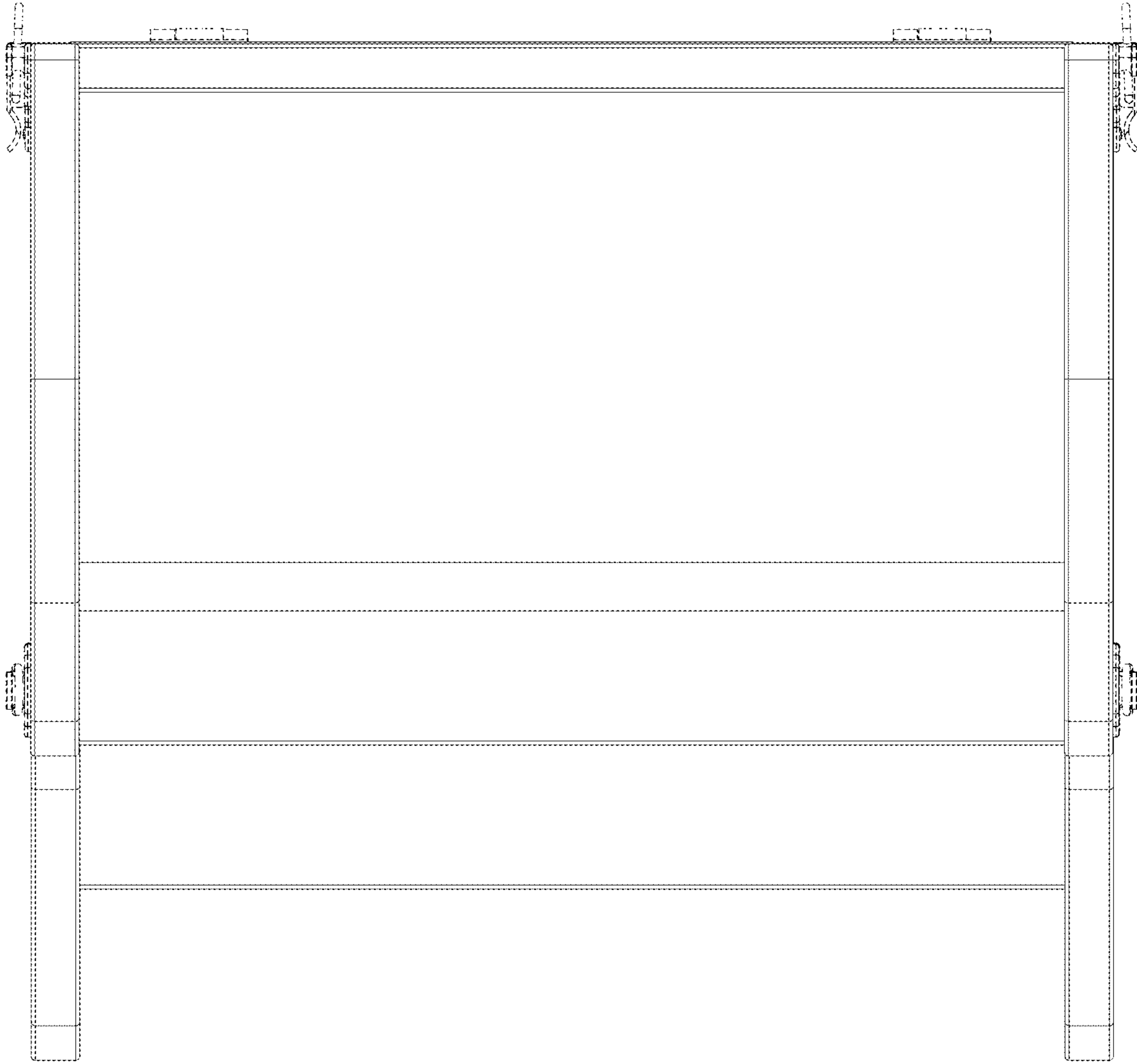


FIG. 5



**FIG. 6**



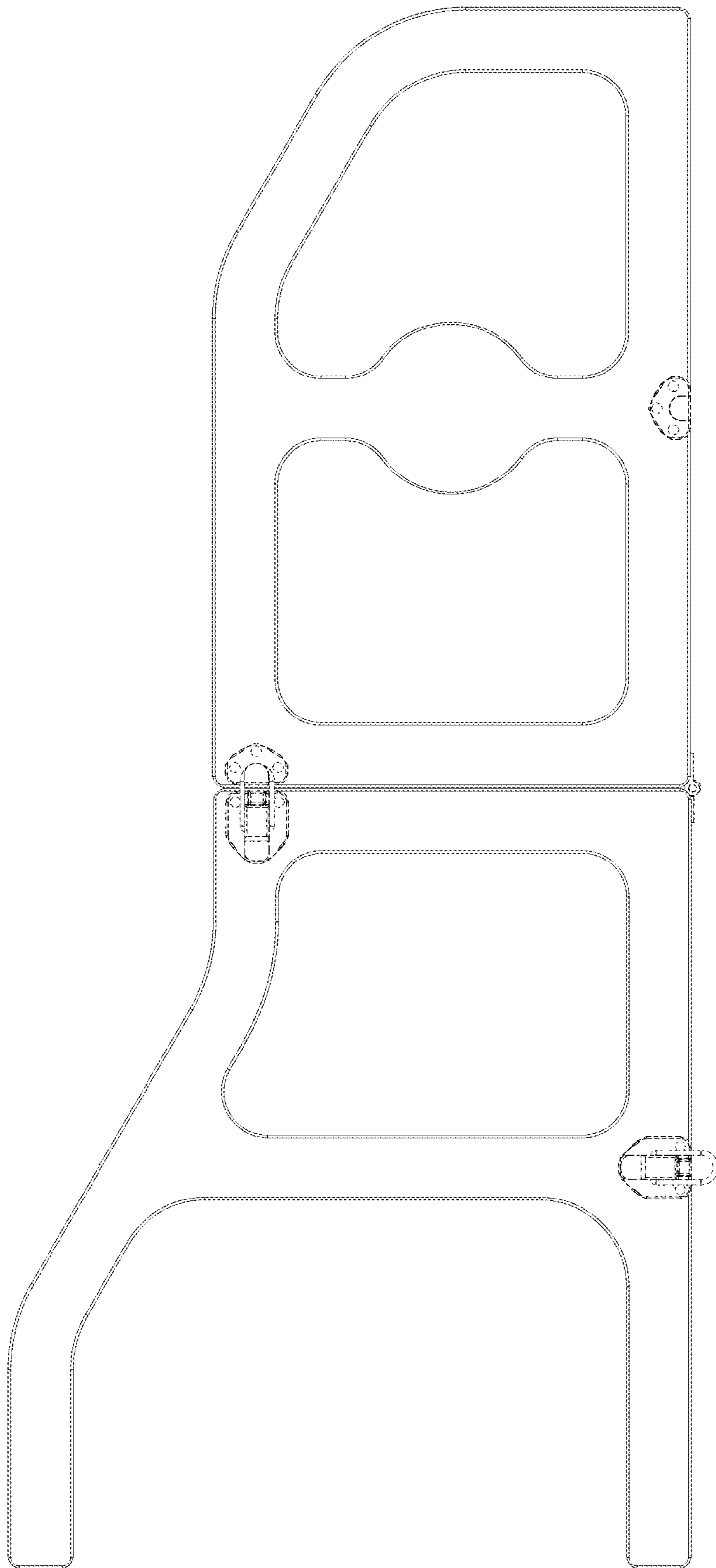


FIG. 7

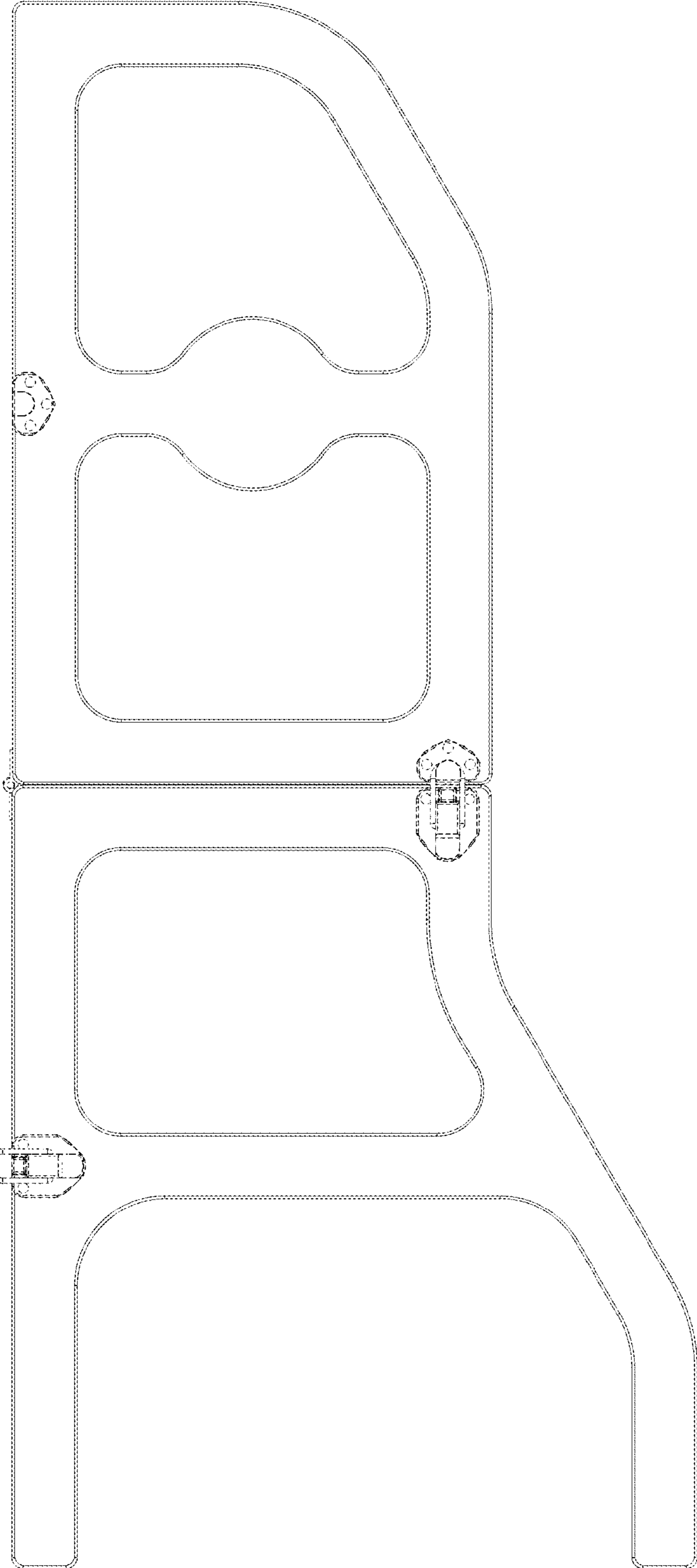


FIG. 8

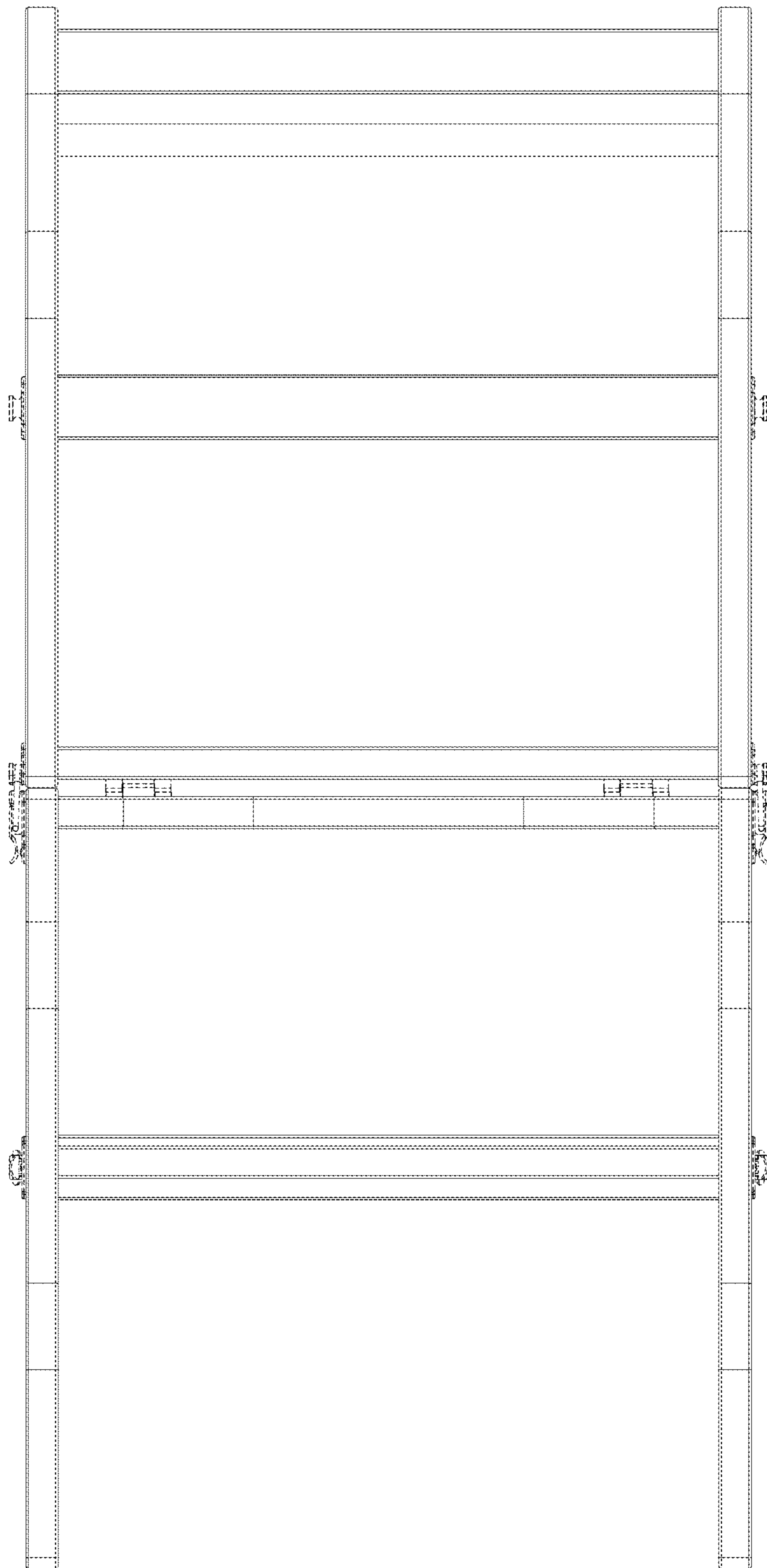


FIG. 9

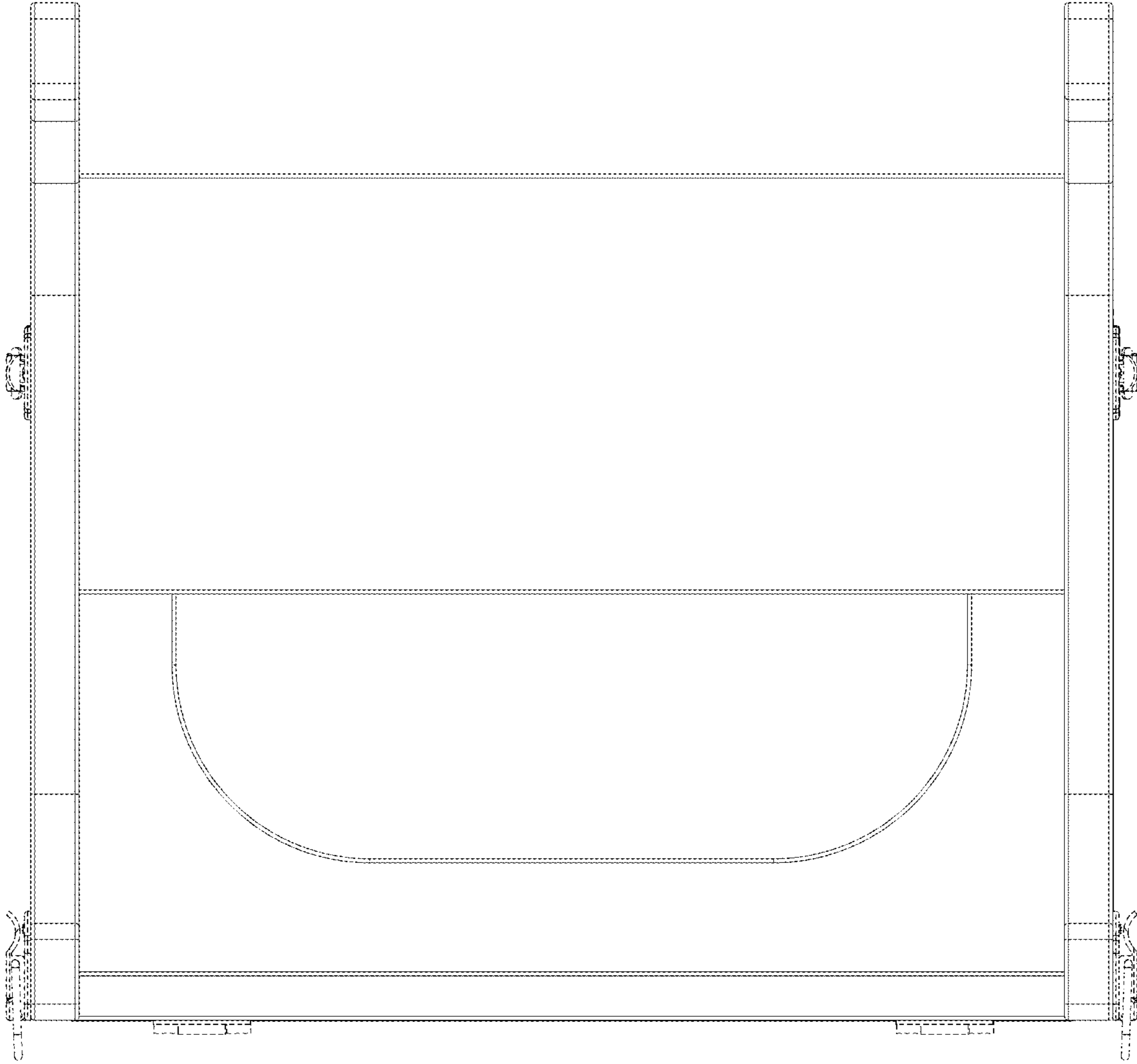
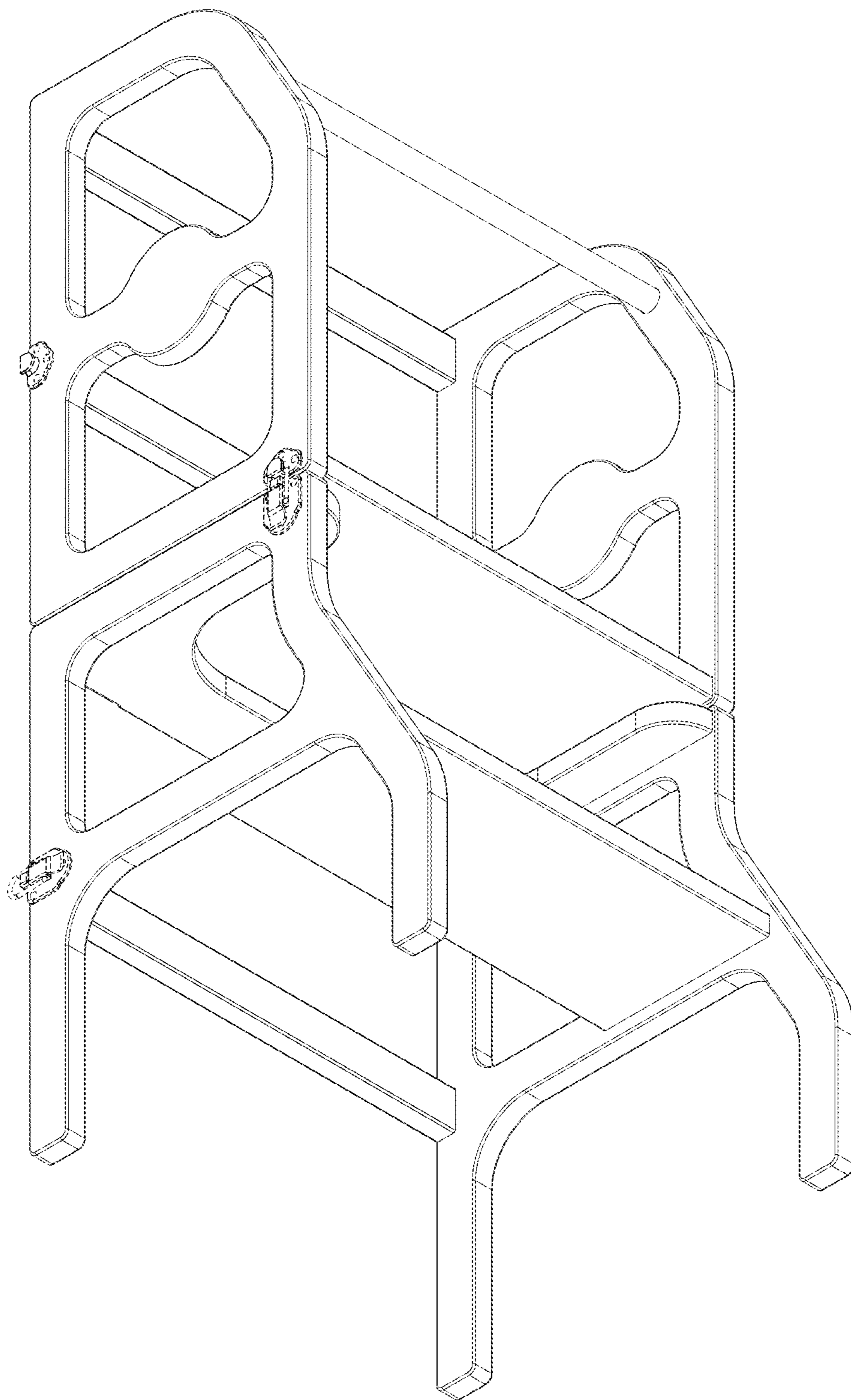
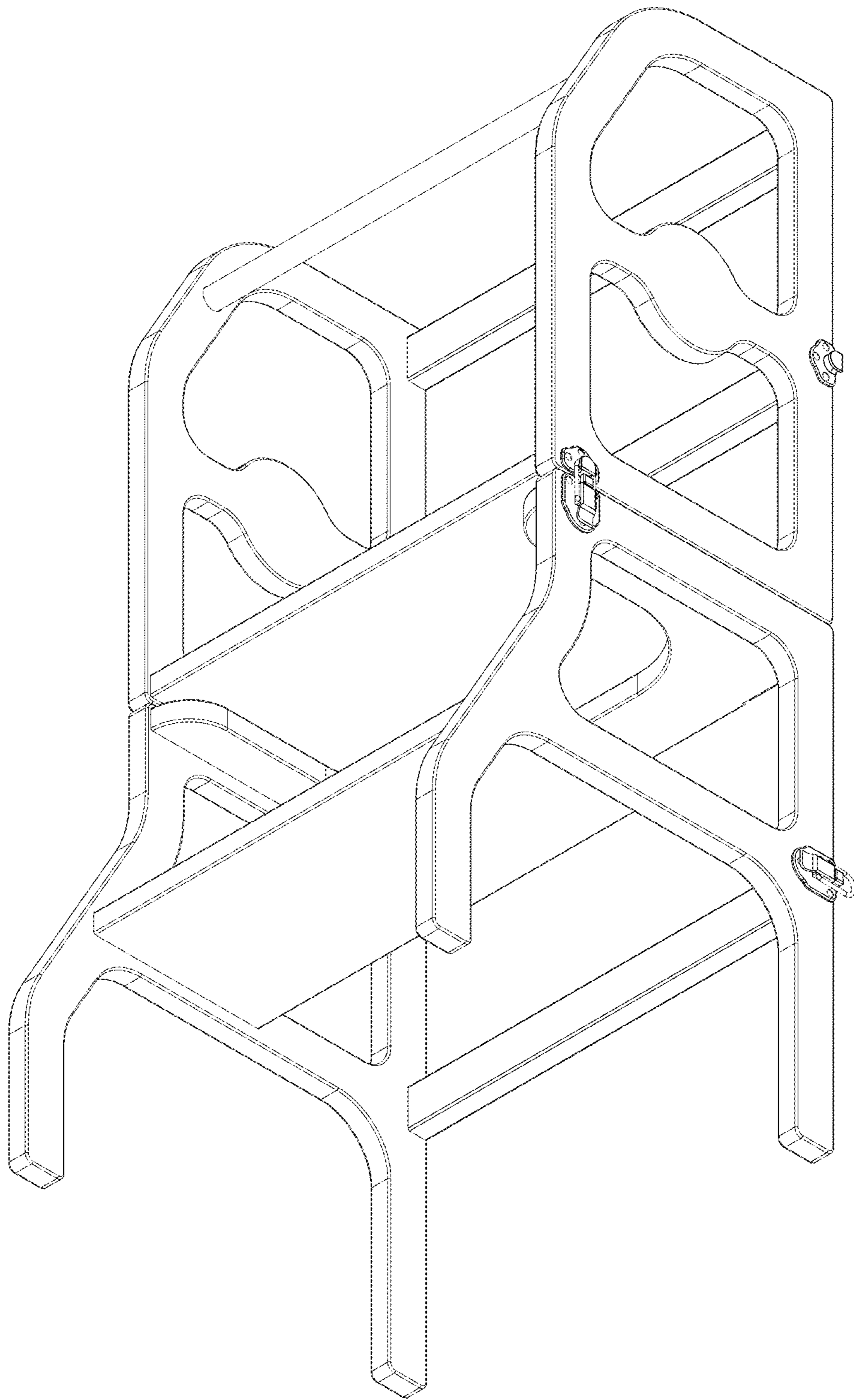


FIG. 10



**FIG. 11**



**FIG. 12**

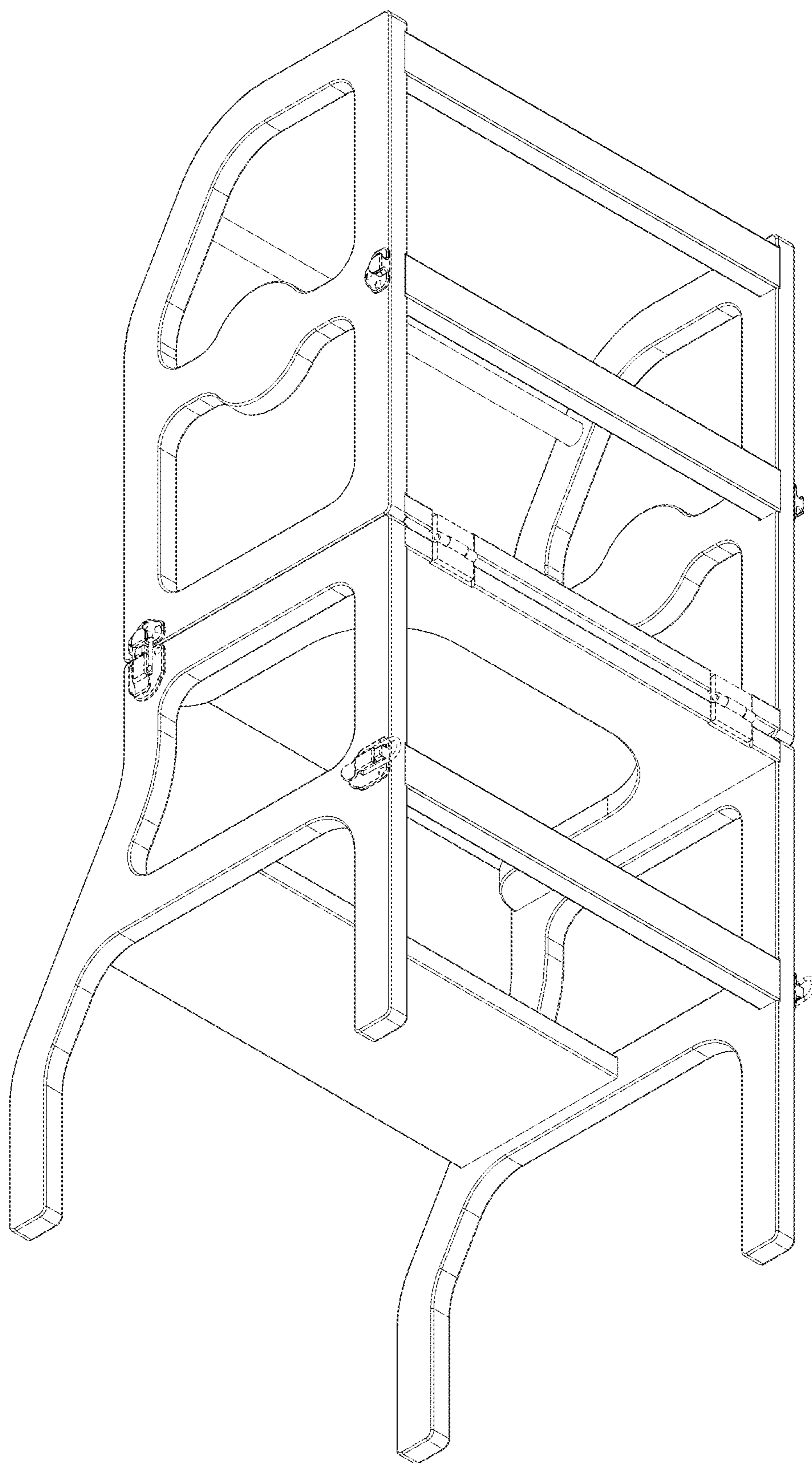
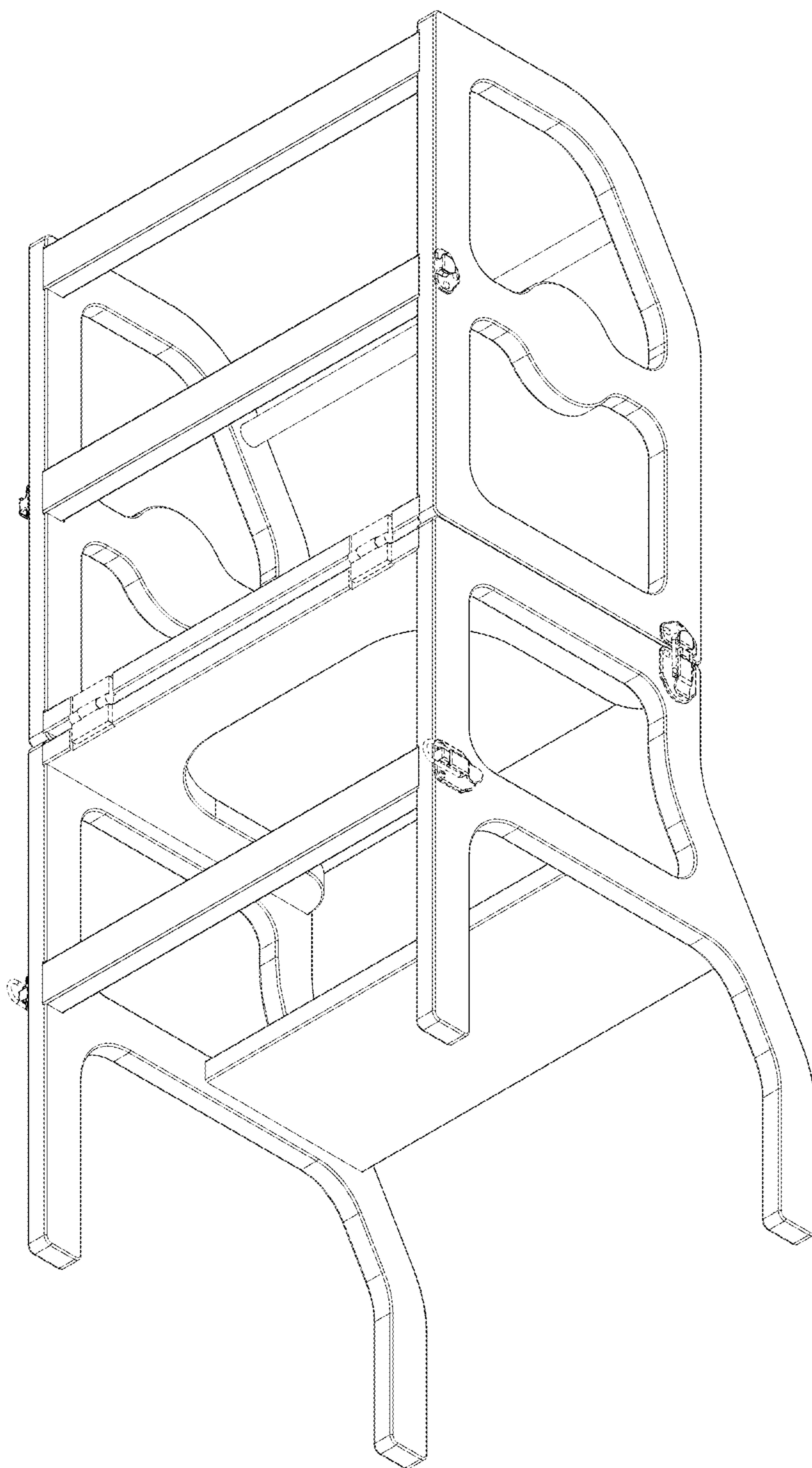


FIG. 13



**FIG. 14**



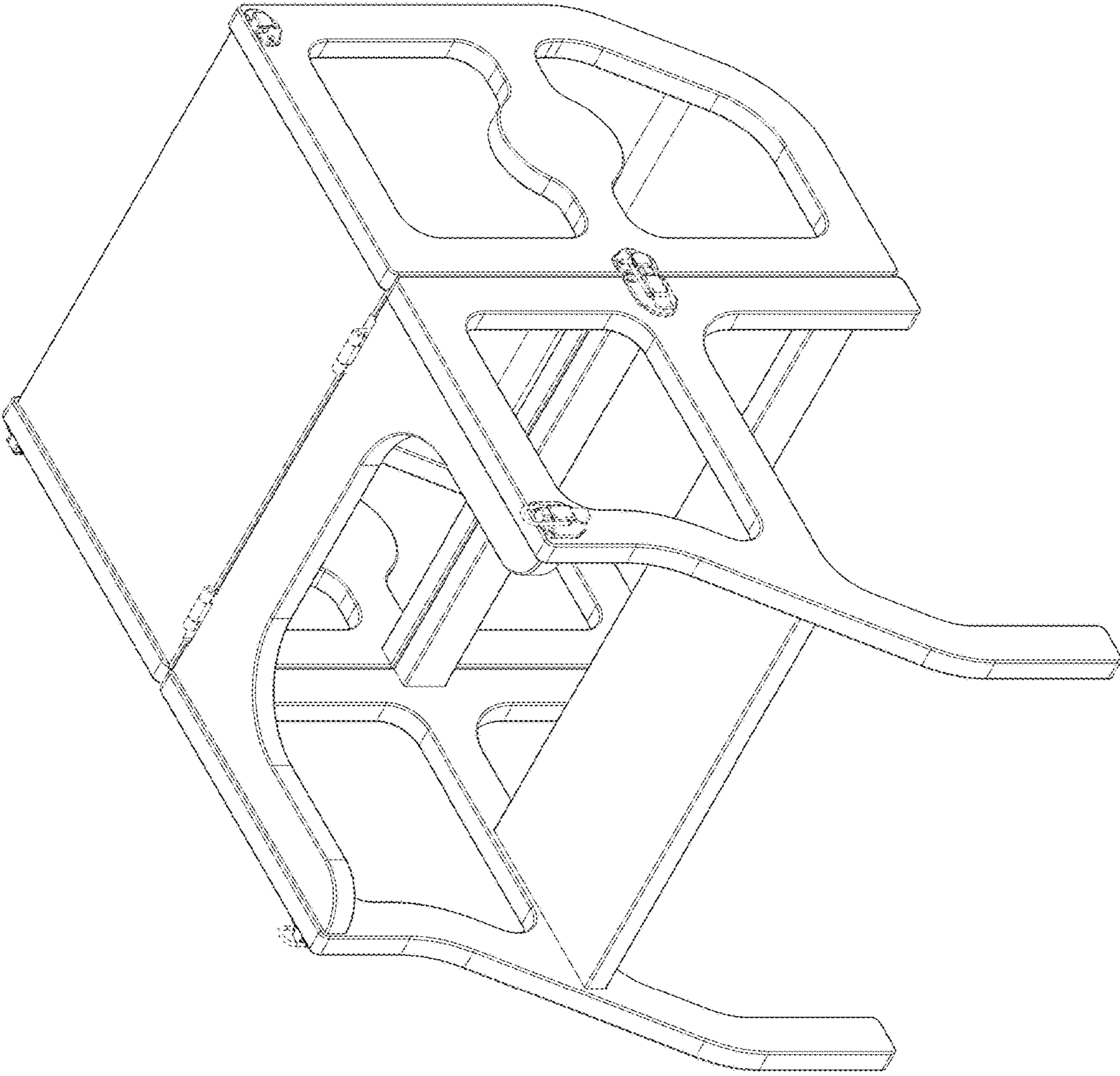


FIG. 15

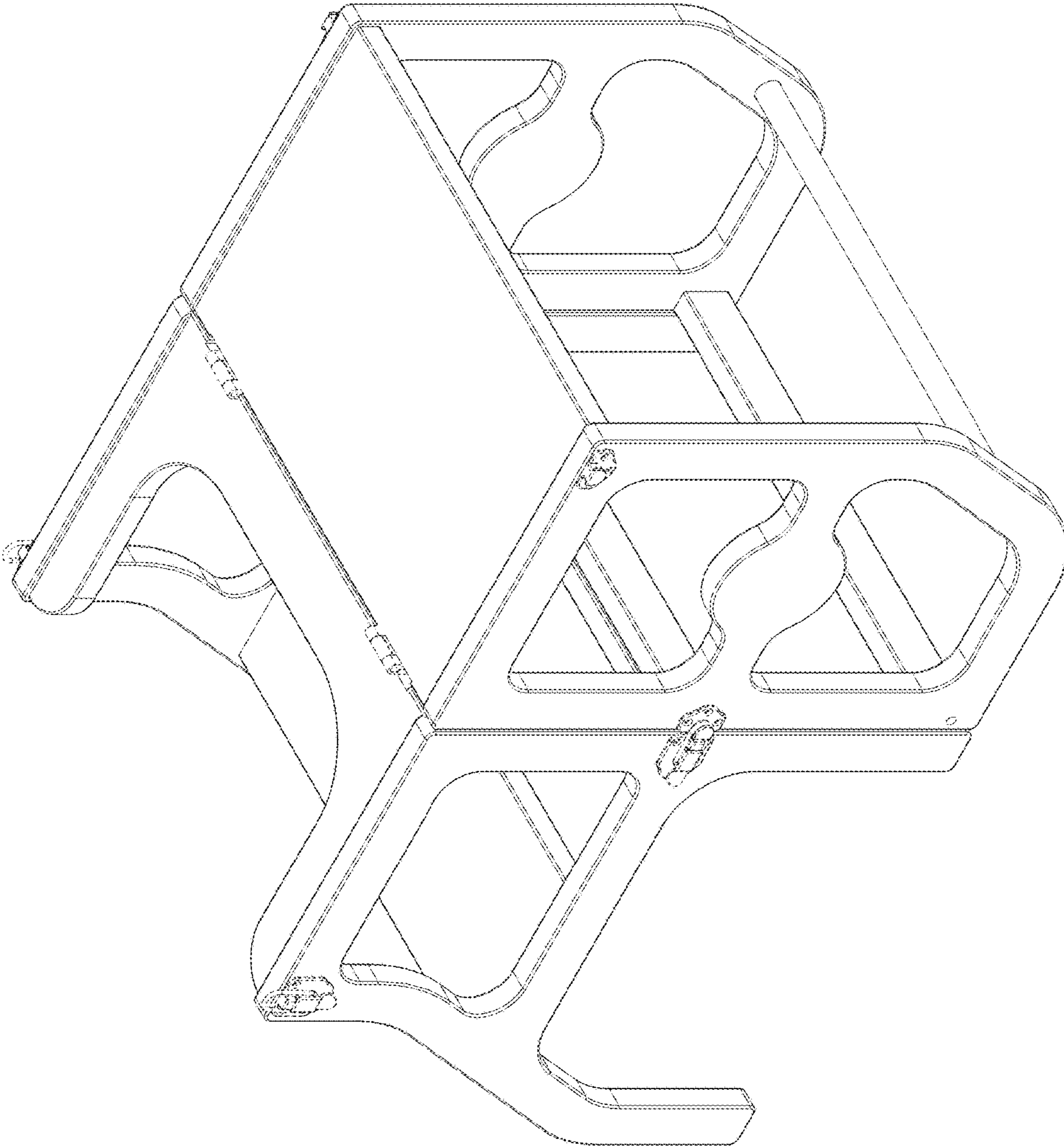


FIG. 16

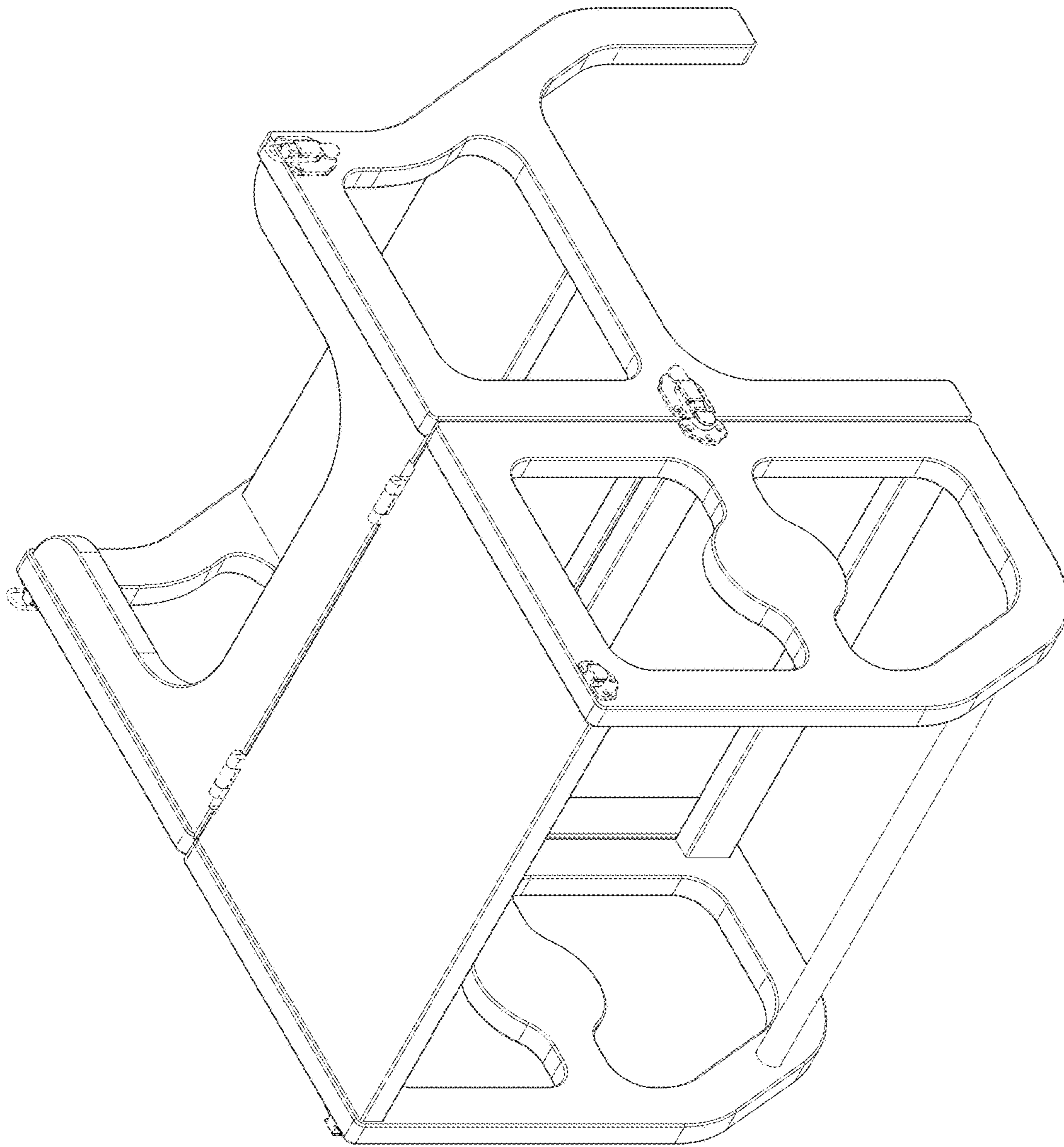


FIG. 17

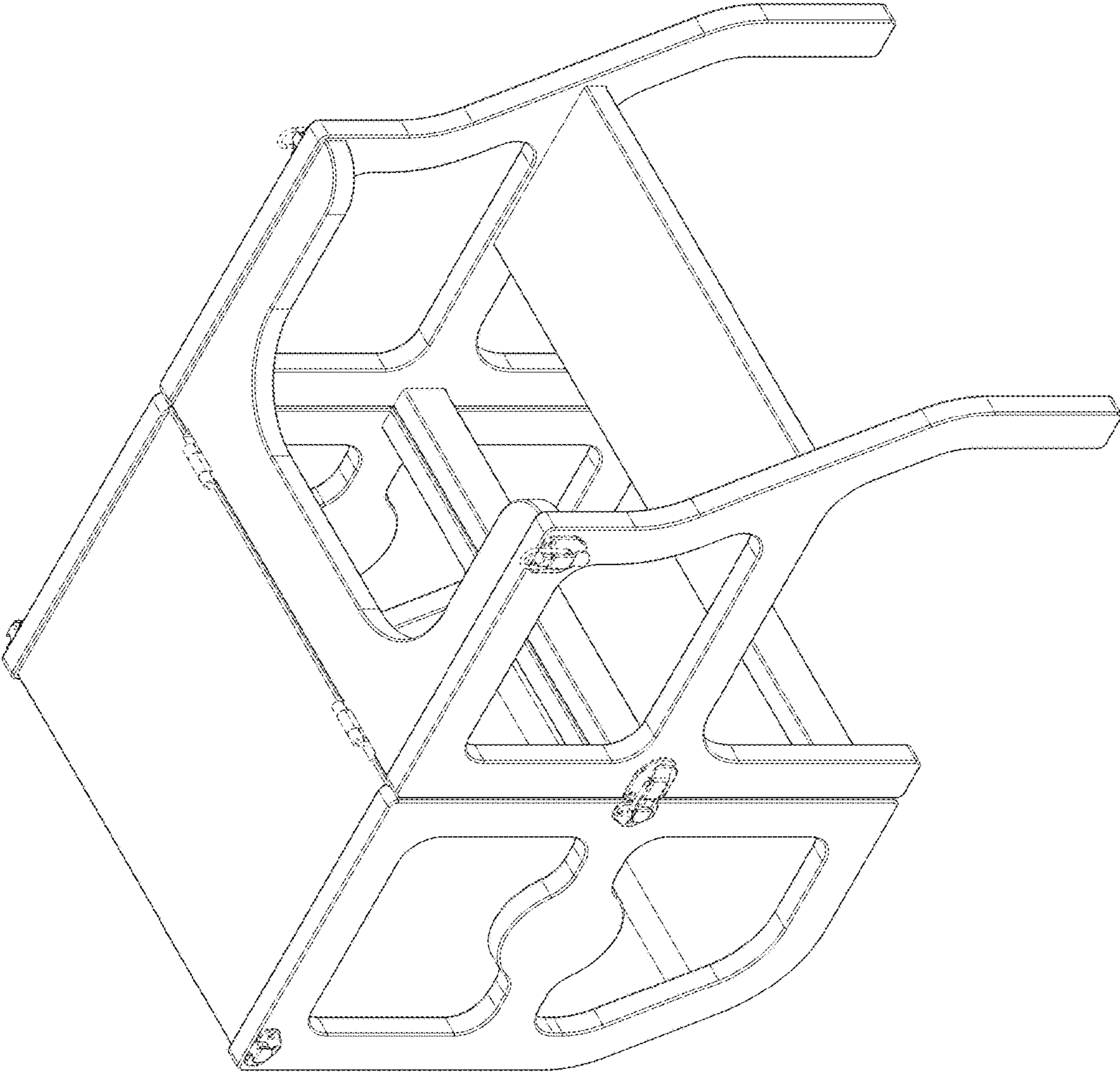


FIG. 18

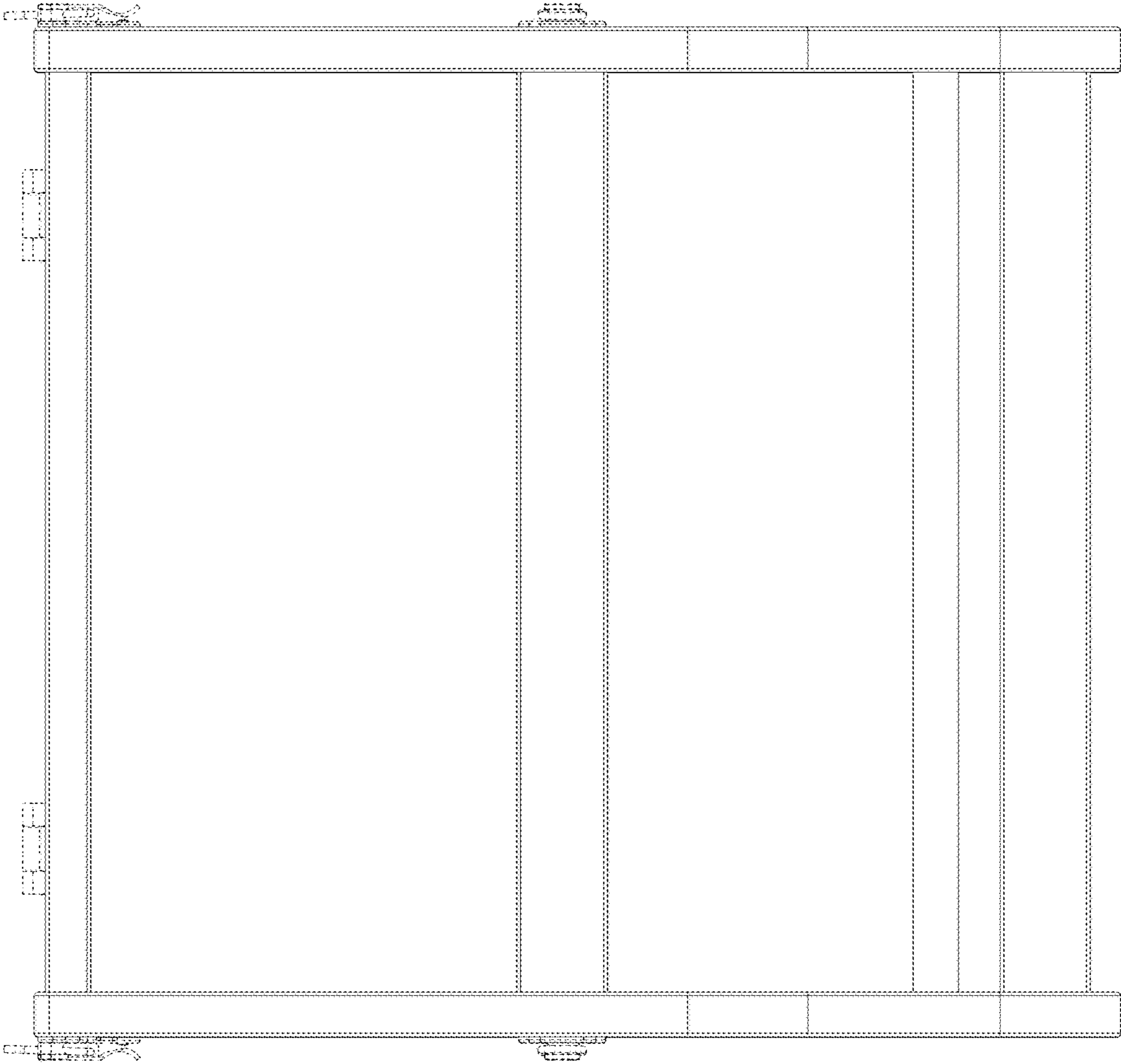


FIG. 19

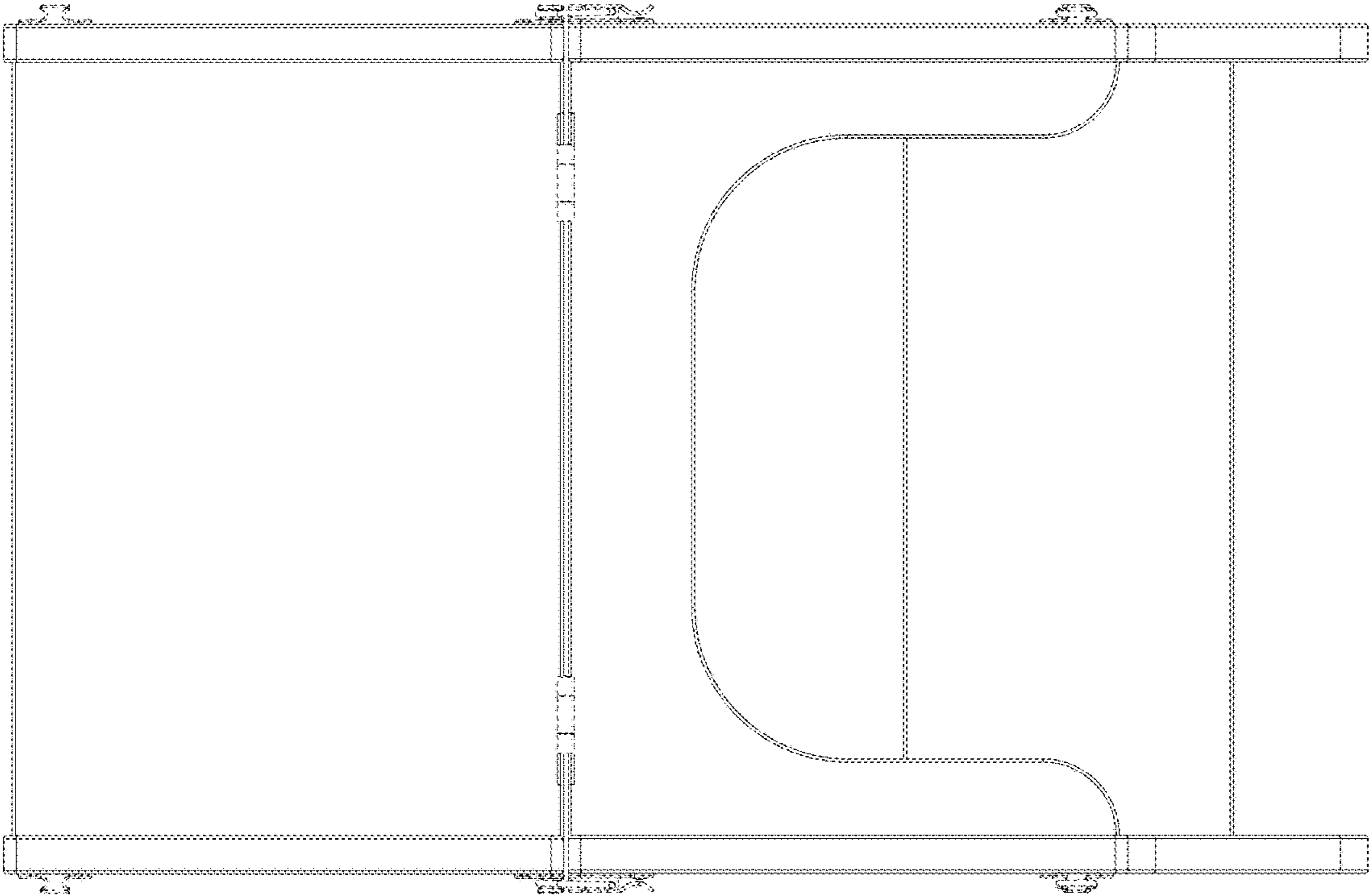
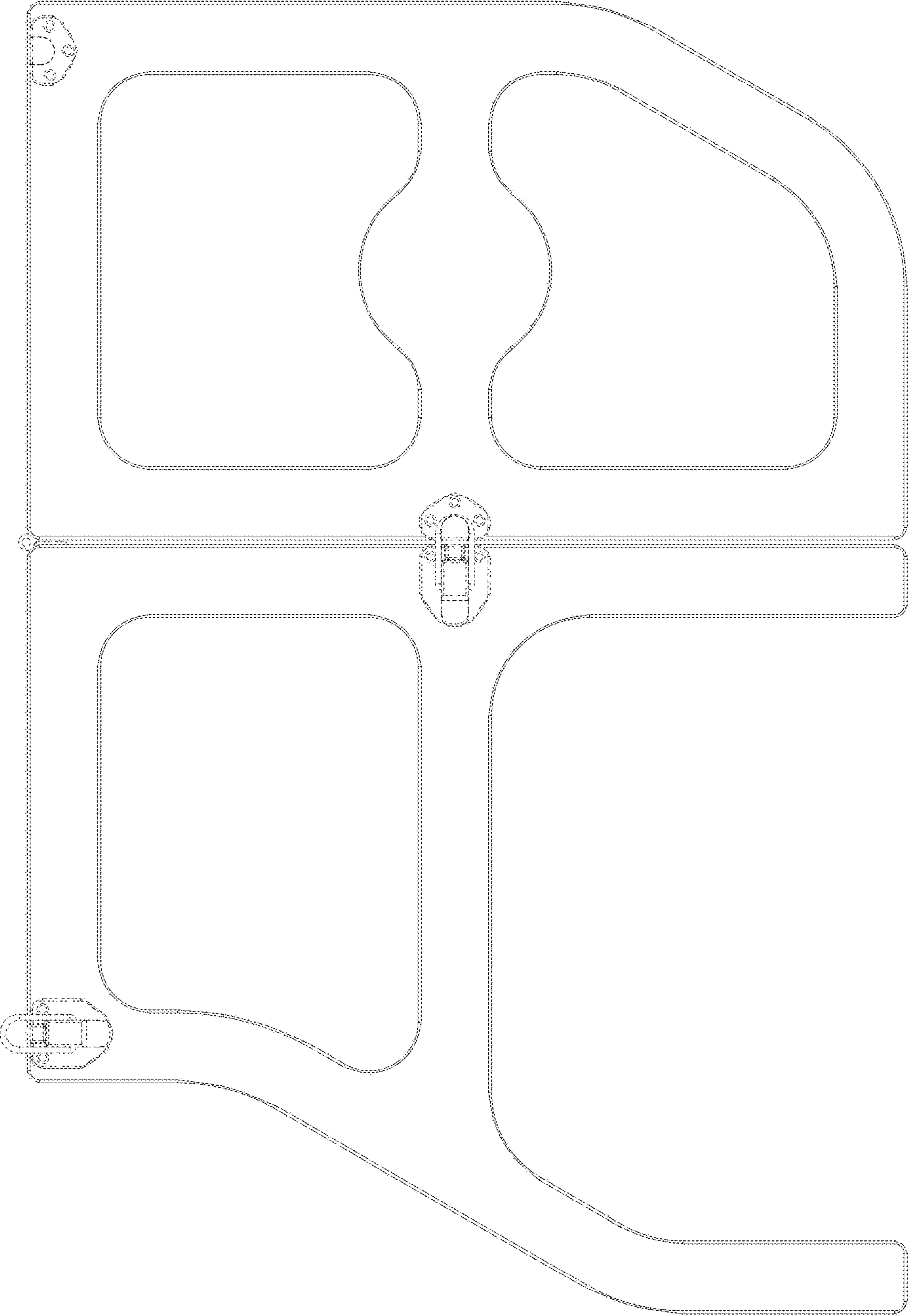


FIG. 20



**FIG. 21**

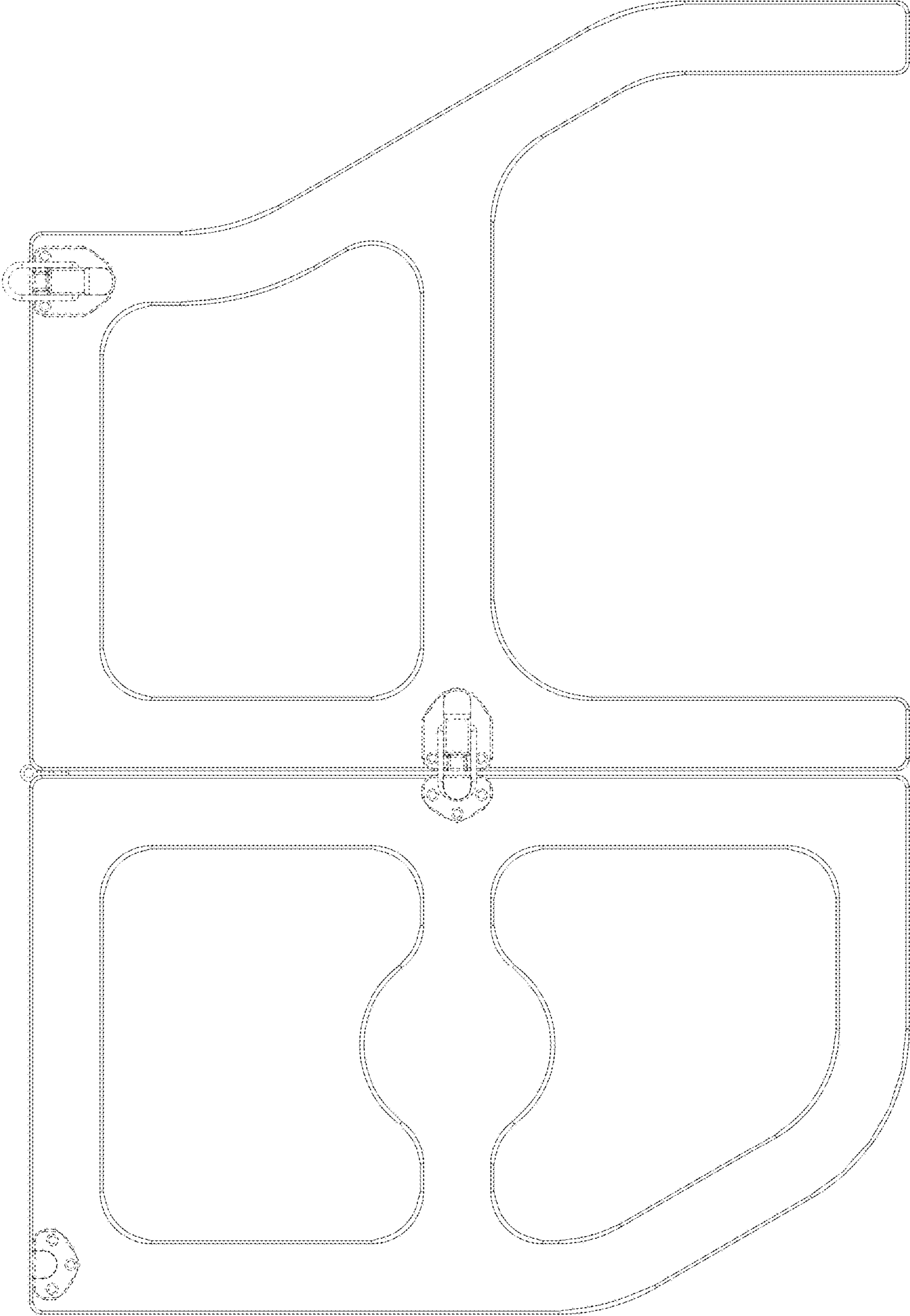


FIG. 22



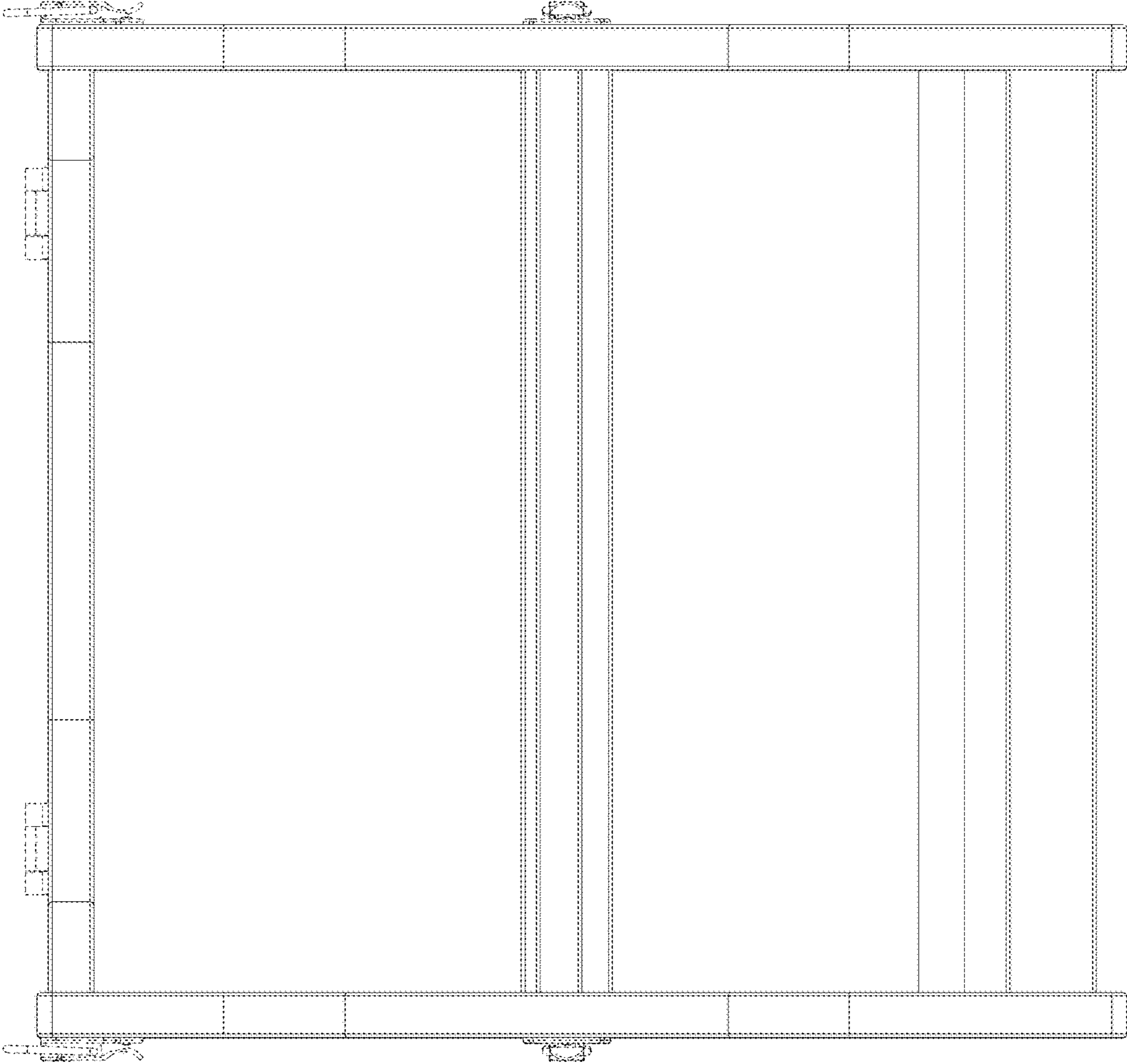
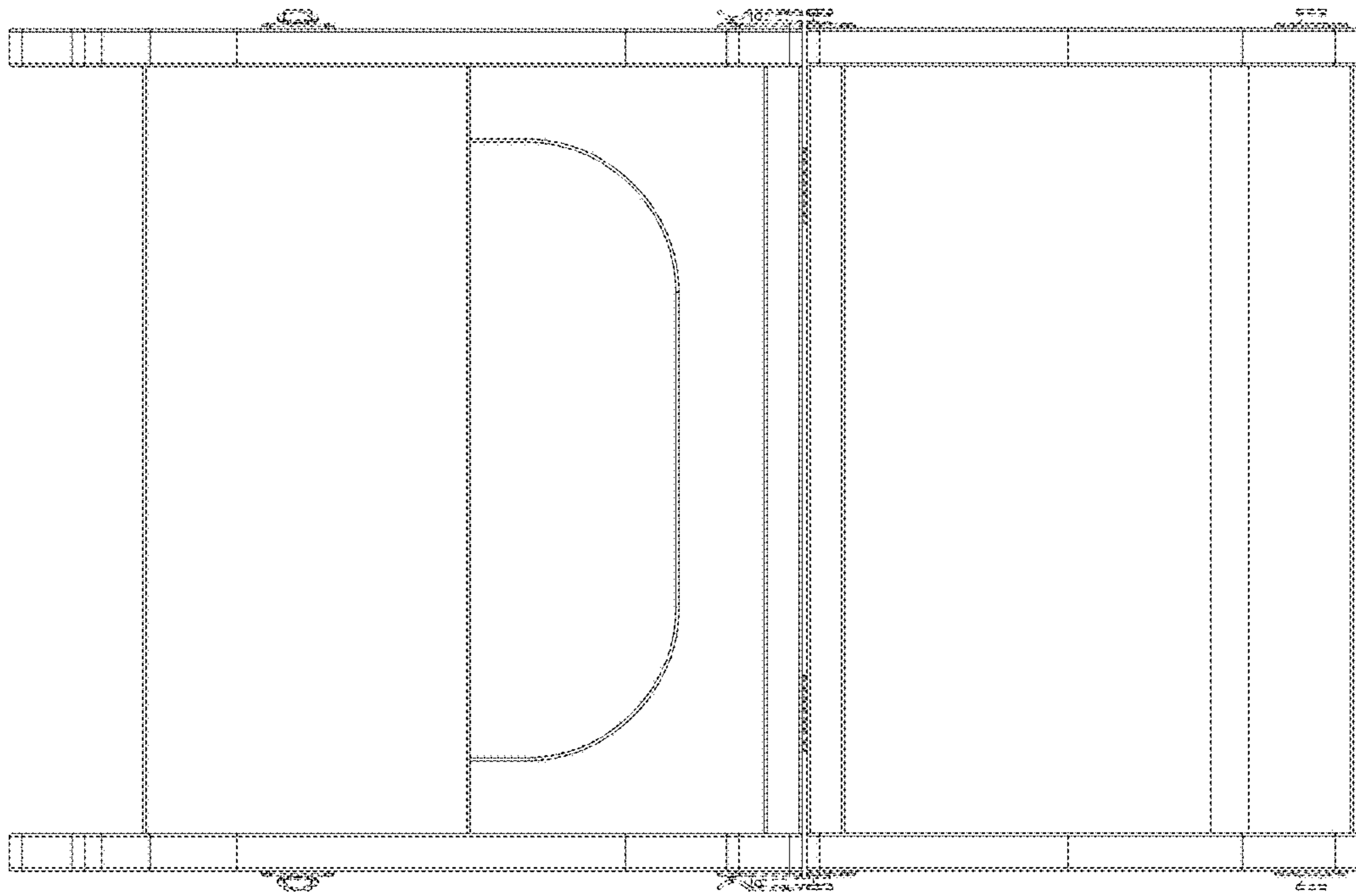
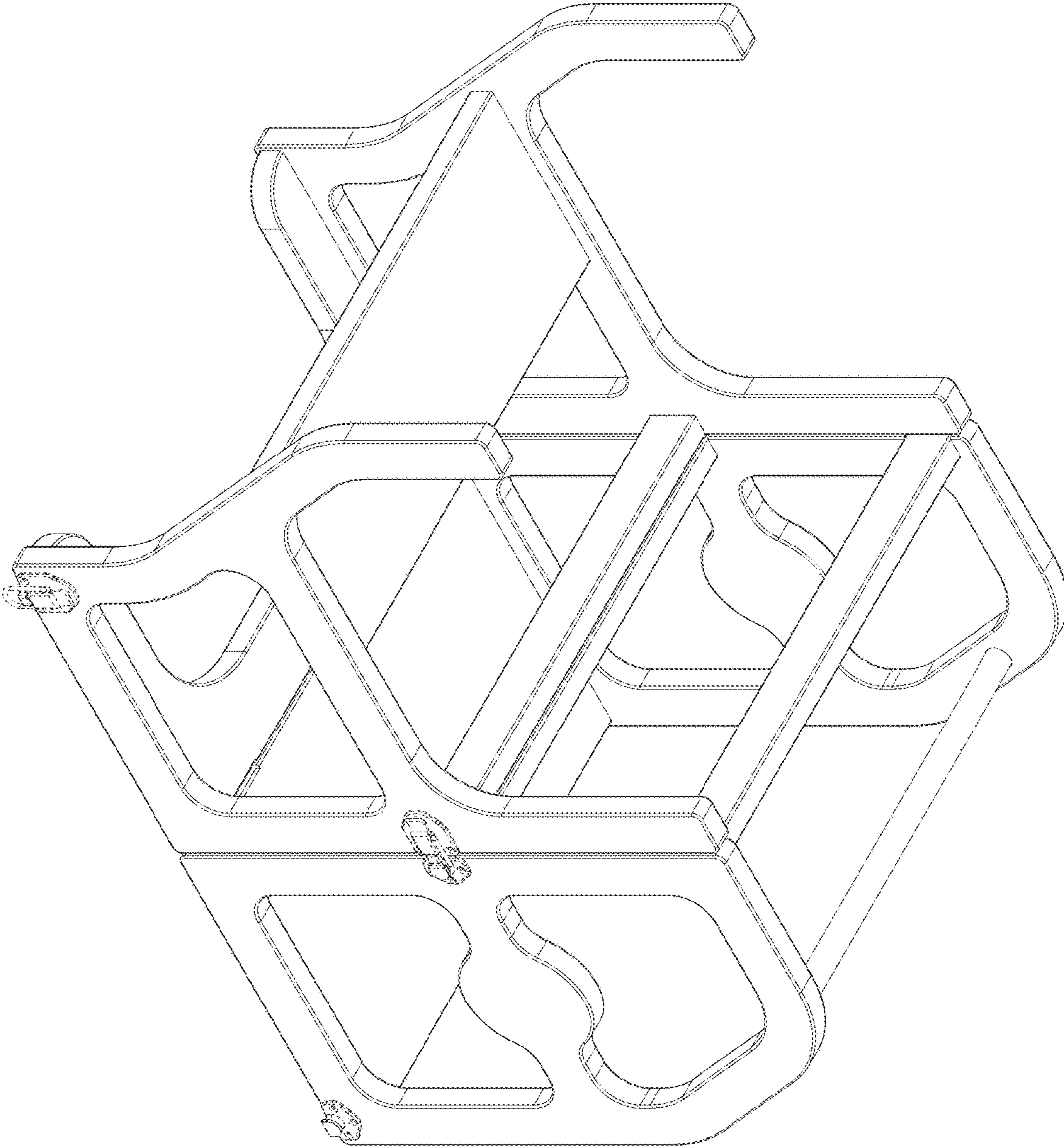


FIG. 23



**FIG. 24**



**FIG. 25**

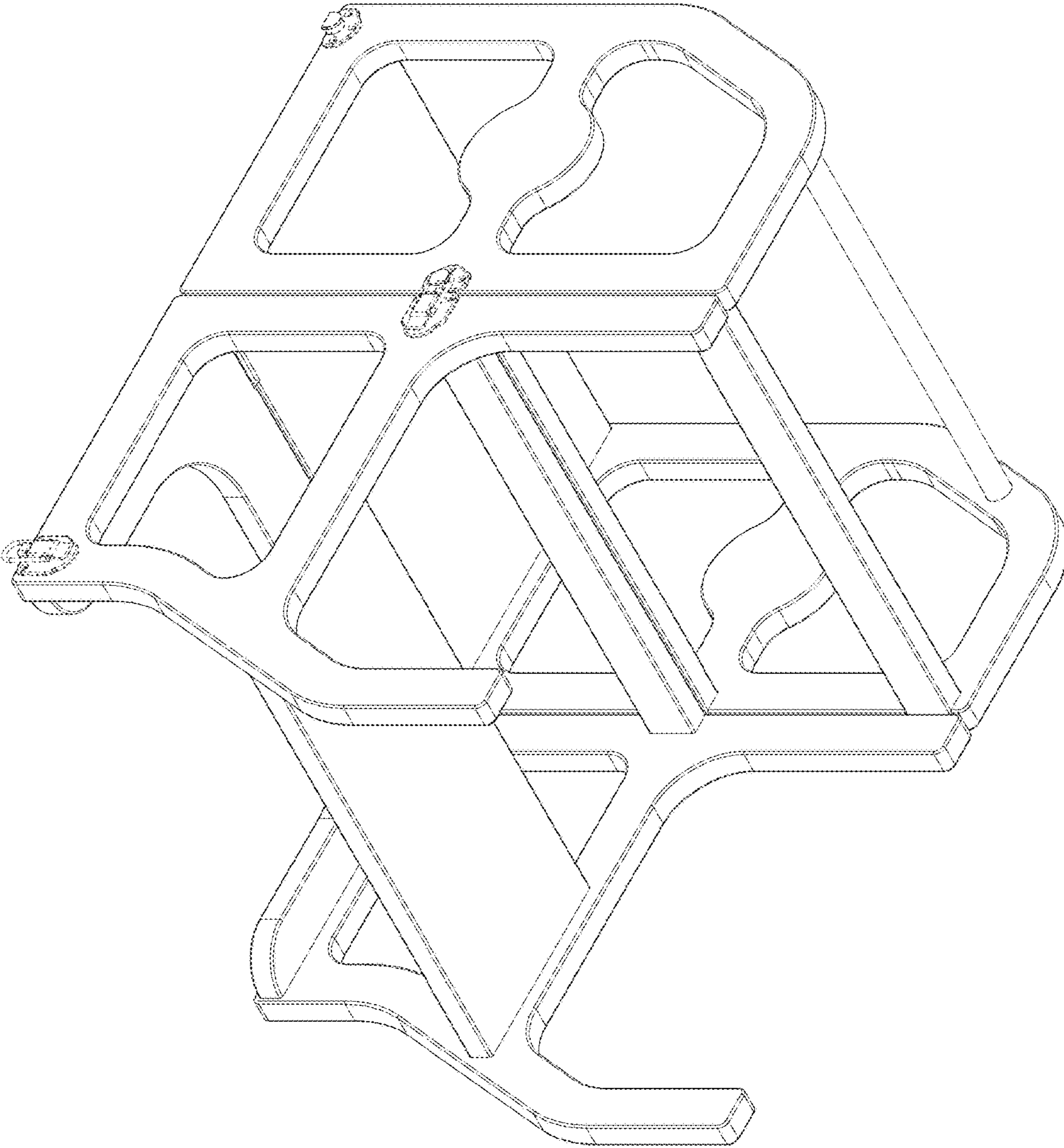
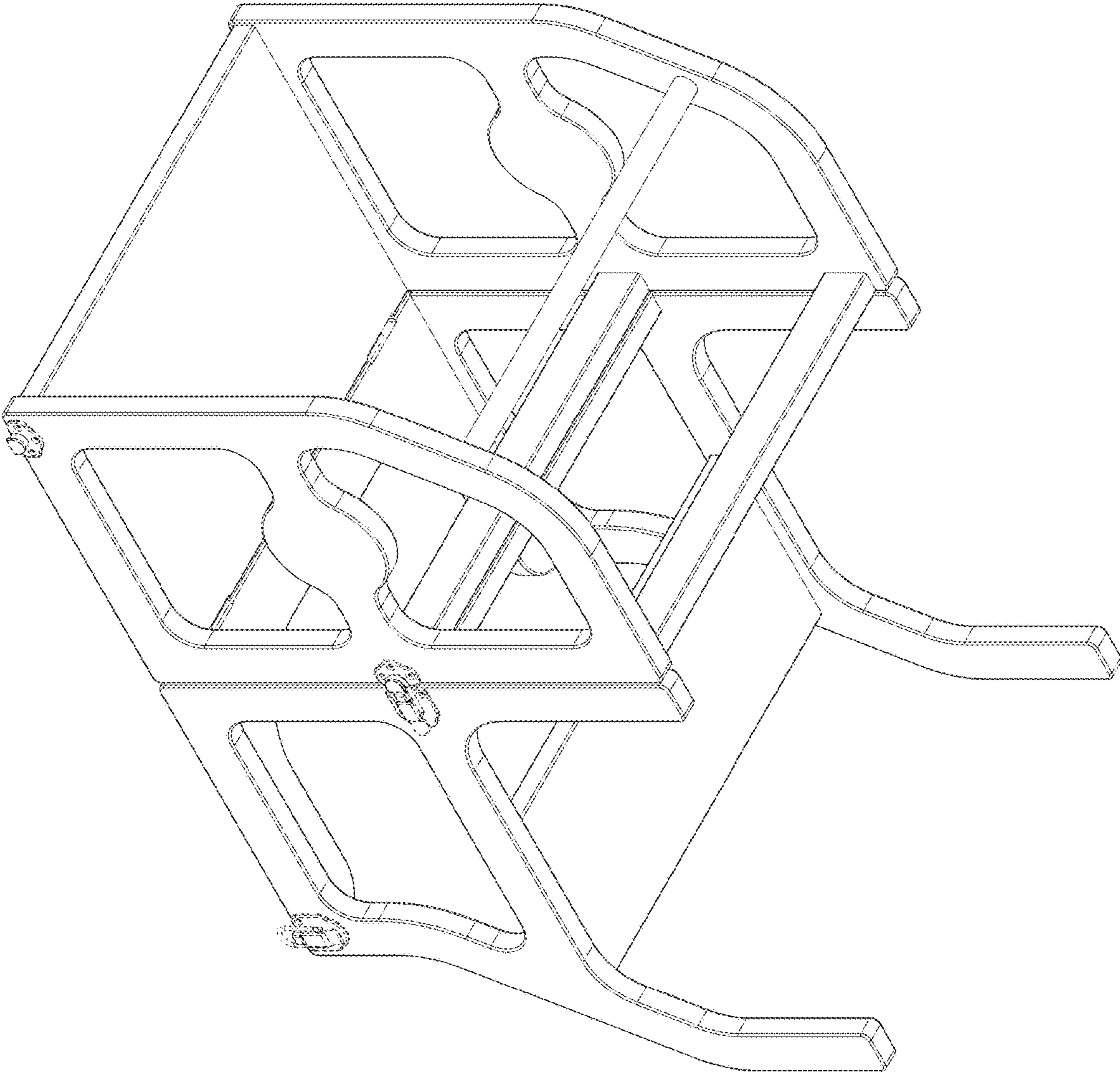


FIG. 26



**FIG. 27**

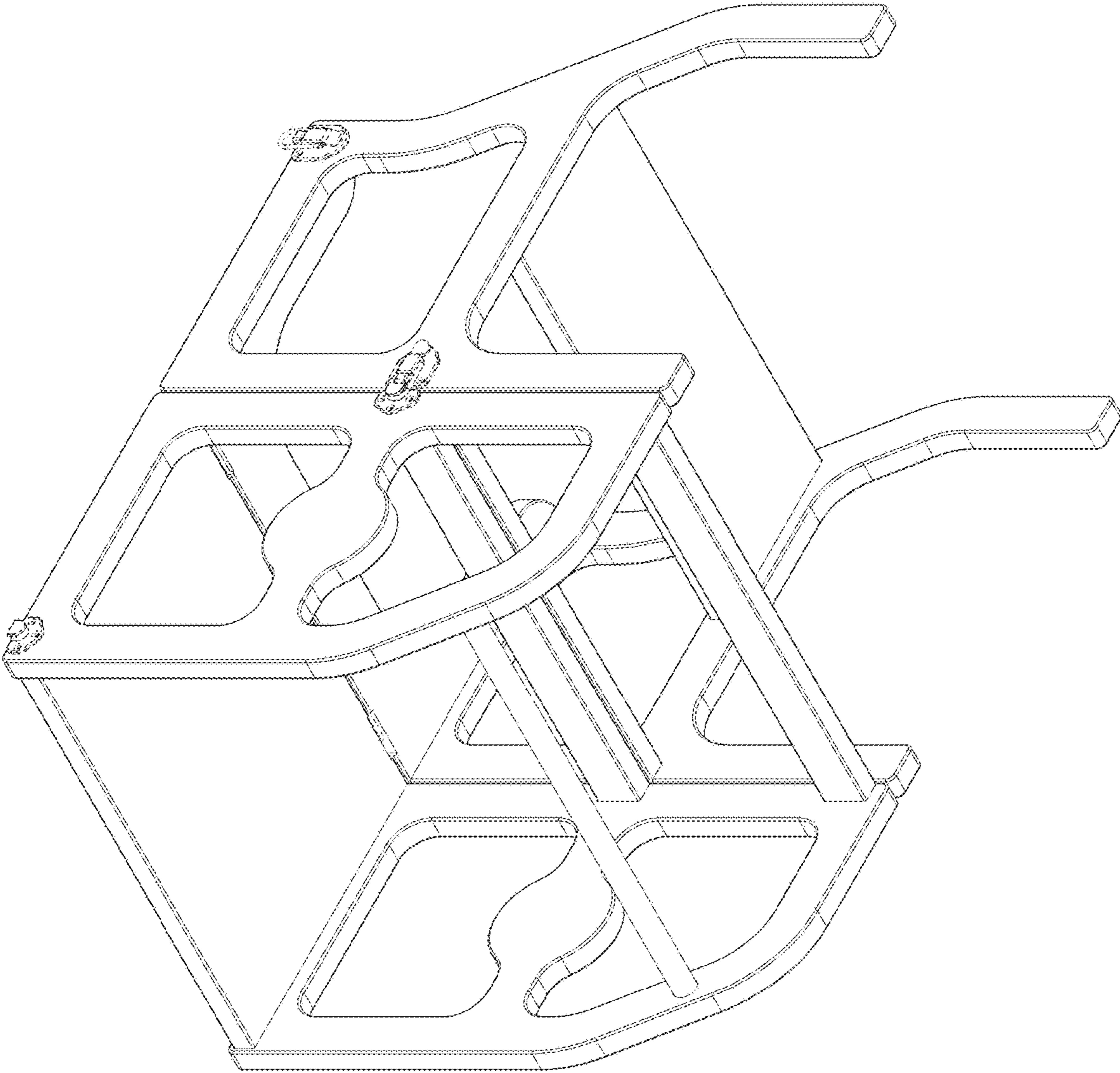


FIG. 28