

US00D907377S

(12) **United States Design Patent** (10) **Patent No.:** **US D907,377 S**  
**Yau** (45) **Date of Patent:** **\*\* Jan. 12, 2021**

(54) **HANGER**  
(71) Applicant: **Wai Shing Yau**, Kowloon (HK)  
(72) Inventor: **Wai Shing Yau**, Kowloon (HK)  
(\*\*) Term: **15 Years**  
(21) Appl. No.: **29/727,709**  
(22) Filed: **Mar. 12, 2020**

2,200,669 A 5/1940 Cook  
2,209,864 A 7/1940 Warren  
2,337,723 A 12/1943 Levin  
2,379,634 A 7/1945 Hall  
2,434,142 A \* 1/1948 Bryn ..... A47G 25/0657  
223/96  
2,439,355 A \* 4/1948 Wollin ..... A47G 25/481  
223/96  
2,996,226 A 8/1961 Crockett  
3,073,491 A 1/1963 Brooke  
D198,484 S 6/1964 Bertram  
3,152,737 A \* 10/1964 Cates ..... A47G 25/481  
223/96  
3,415,432 A 12/1968 Caves  
D213,929 S 4/1969 Cauthen  
D222,568 S 11/1971 Battles  
3,698,043 A \* 10/1972 Batts ..... A44B 99/00  
223/87  
D227,331 S 6/1973 Levitin  
3,823,855 A 7/1974 Dohring  
D235,403 S 6/1975 Brown

**Related U.S. Application Data**

(62) Division of application No. 29/589,418, filed on Dec. 30, 2016, now Pat. No. Des. 878,063.

(51) **LOC (13) Cl.** ..... **06-08**

(52) **U.S. Cl.**  
USPC ..... **D6/326**

(58) **Field of Classification Search**  
USPC ..... D6/315-328  
CPC ..... A47G 25/32; A47G 25/26; A47G 25/28;  
A47G 25/485; A47G 25/487; A47G  
25/20; A47G 25/481; A47G 25/442;  
A47G 25/24; A47G 25/48; A47G 25/486;  
A47G 25/36; A47G 25/1407; A47G  
25/30; A47G 25/14; A47G 25/743; A47G  
25/1457

See application file for complete search history.

(56) **References Cited**

**U.S. PATENT DOCUMENTS**

1,018,056 A 2/1912 Hincer  
1,515,489 A \* 11/1924 Johnson ..... A47G 25/481  
223/96  
1,955,792 A 4/1934 Deknatel  
2,119,934 A \* 6/1938 Woods ..... A47G 25/481  
223/96  
2,163,295 A \* 6/1939 Subick ..... A47G 25/481  
223/96

*Primary Examiner* — Lauren R Calve  
(74) *Attorney, Agent, or Firm* — Baker & McKenzie LLP

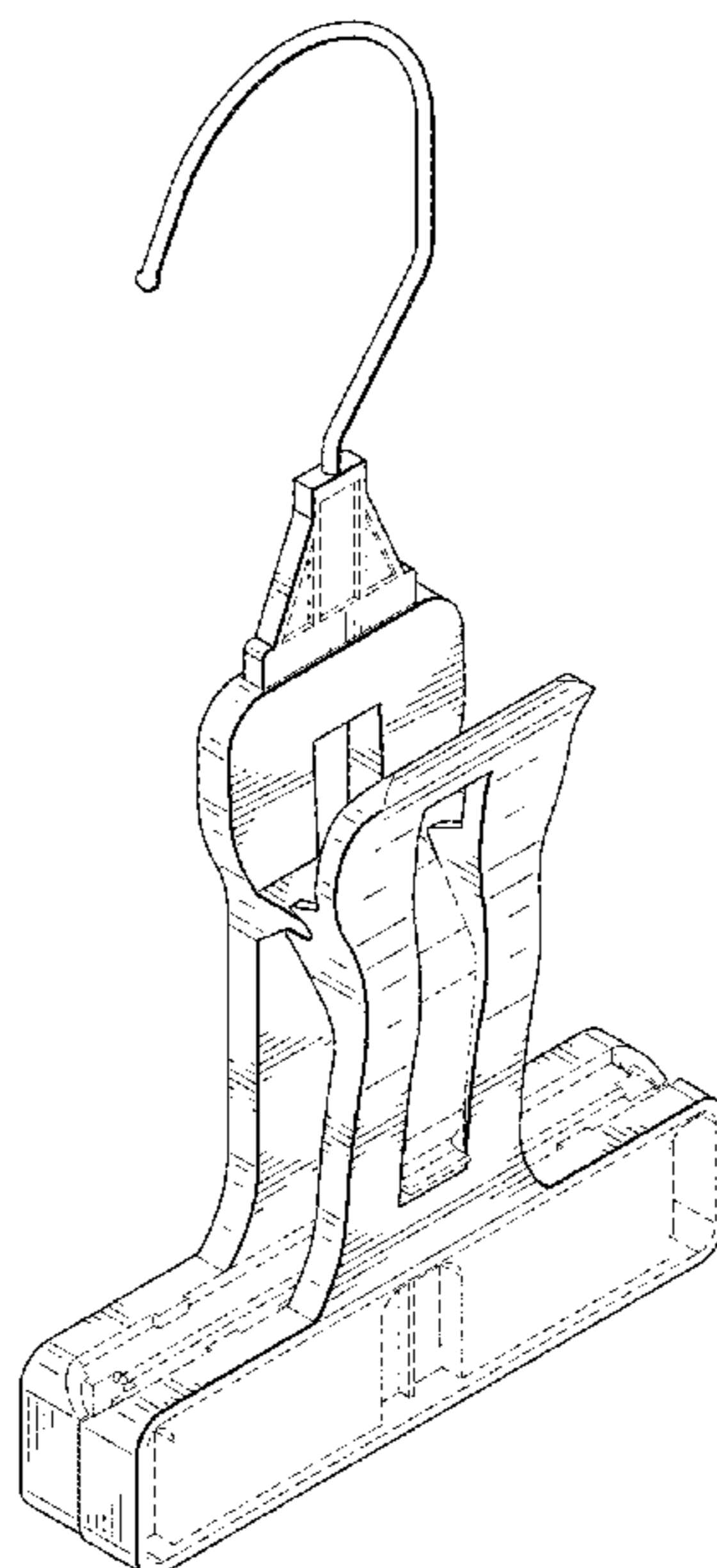
(57) **CLAIM**

The ornamental design for a hanger, as shown and described.

**DESCRIPTION**

FIG. 1 is a perspective view of a hanger according to the disclosed design;  
FIG. 2 is a front view of the hanger shown in FIG. 1;  
FIG. 3 is a rear view of the hanger shown in FIG. 1;  
FIG. 4 is a first side view of the hanger shown in FIG. 1;  
FIG. 5 is a second side view of the hanger shown in FIG. 1;  
FIG. 6 is a top view of the hanger shown in FIG. 1; and,  
FIG. 7 is a bottom view of the hanger shown in FIG. 1.  
The broken line showing of visible environmental structures is for illustrative purposes only and forms no part of the claimed design.

**1 Claim, 5 Drawing Sheets**



(56)

**References Cited**

## U.S. PATENT DOCUMENTS

3,923,213 A \* 12/1975 George ..... A47G 25/483  
223/96  
3,984,037 A 10/1976 Peterson  
4,029,240 A 6/1977 George et al.  
4,394,791 A \* 7/1983 Groth ..... B65D 33/1675  
24/30.5 R  
D279,527 S \* 7/1985 Peterson ..... D6/326  
4,609,132 A 9/1986 Brokenshire  
4,927,063 A 5/1990 Fricano  
5,249,719 A \* 10/1993 Hulyk ..... A47G 25/481  
223/95  
6,003,743 A \* 12/1999 Deady ..... A47G 25/481  
223/95  
D436,742 S \* 1/2001 Mueller ..... D6/315  
D442,372 S \* 5/2001 Ling ..... D6/326  
8,016,170 B2 9/2011 Johnson  
8,201,310 B1 6/2012 Abdi et al.  
9,339,138 B2 \* 5/2016 Eslami ..... A47G 29/08  
9,930,983 B2 4/2018 Ballard  
D870,471 S \* 12/2019 Kariker ..... D6/326  
D878,063 S \* 3/2020 Yau ..... D6/326  
2007/0007312 A1 1/2007 Kraus, Jr.  
2013/0228598 A1 9/2013 Xie  
2018/0184830 A1 7/2018 Yau

\* cited by examiner

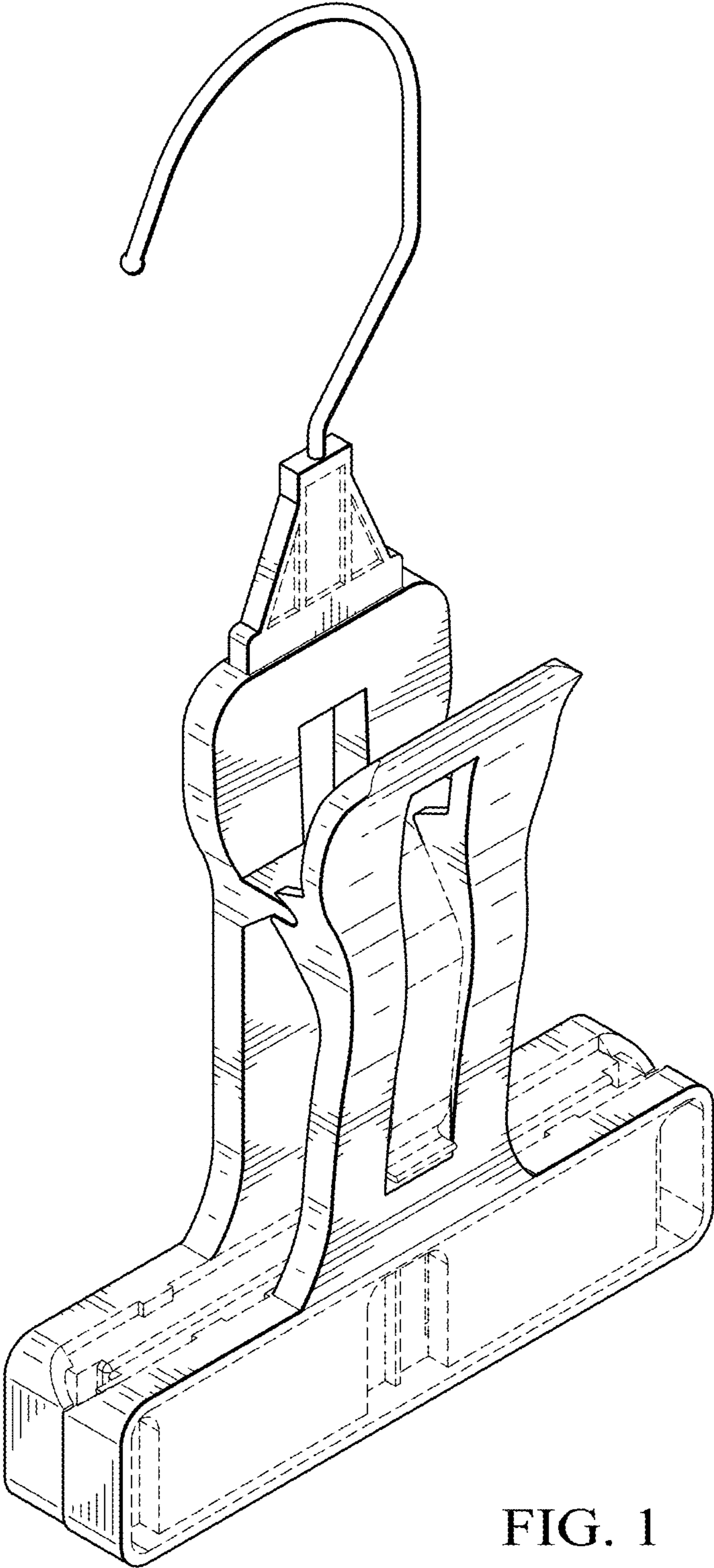


FIG. 1

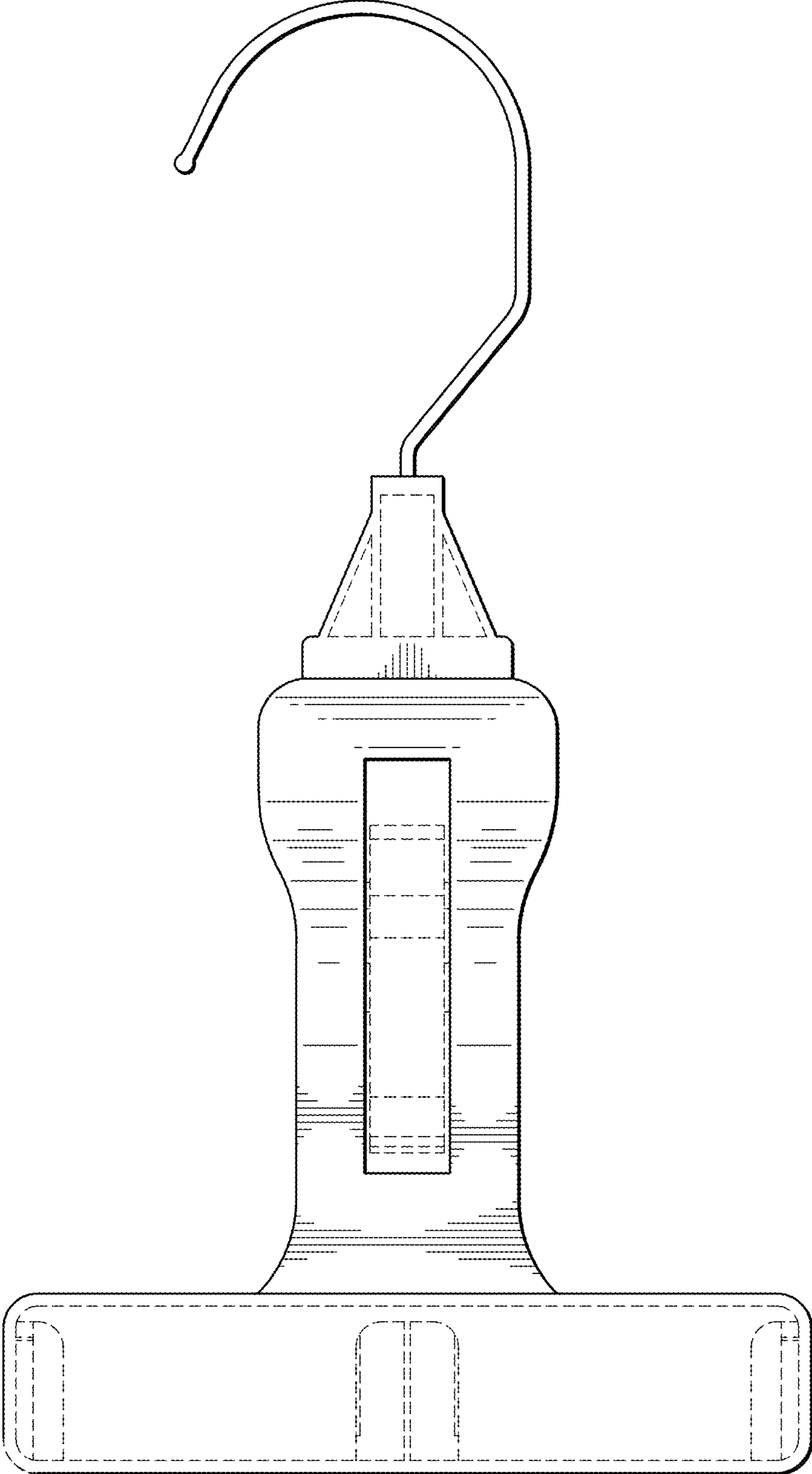


FIG. 2

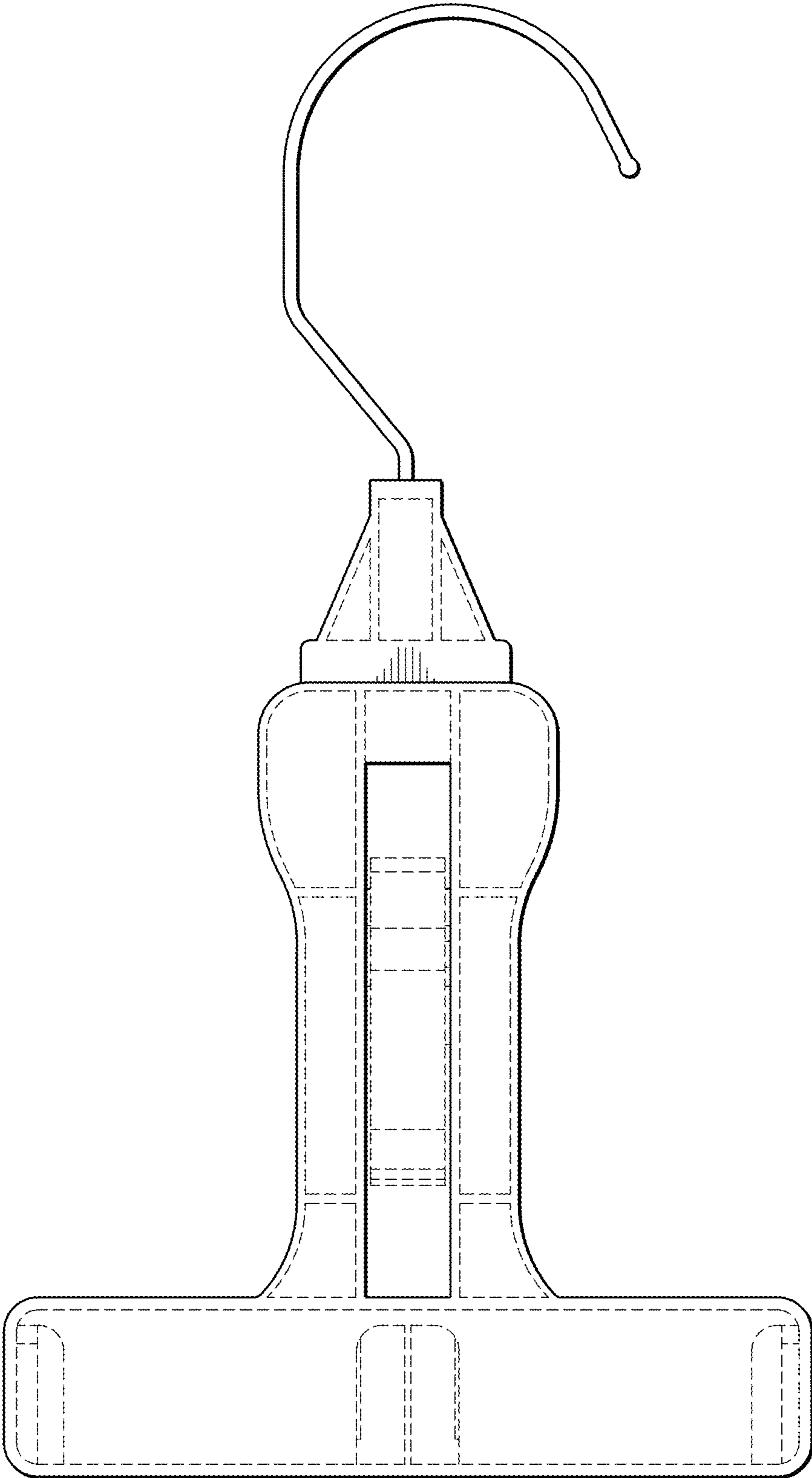


FIG. 3

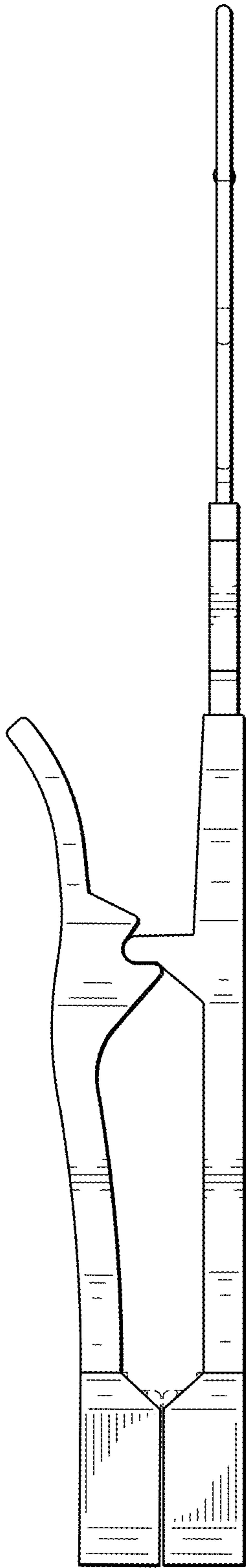


FIG. 4

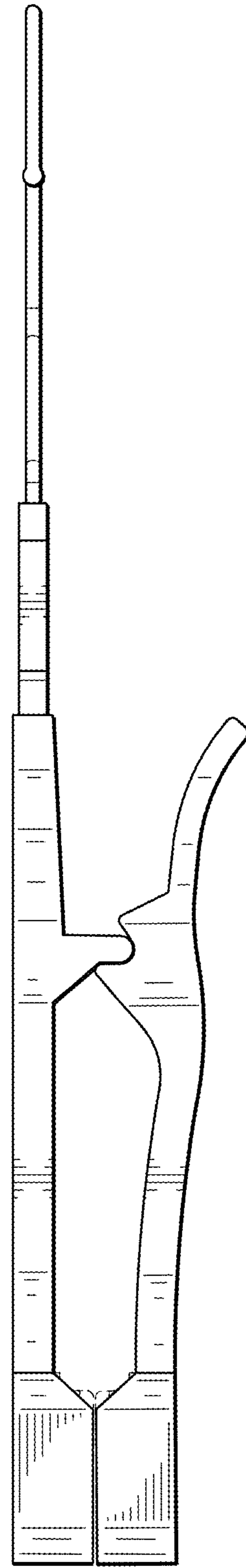


FIG. 5



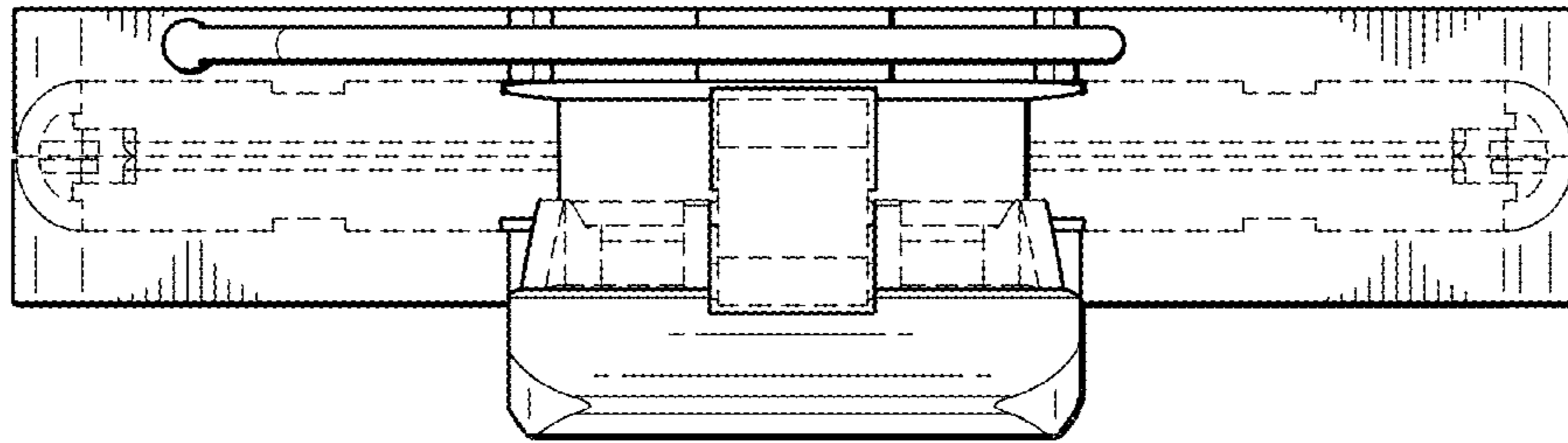


FIG. 6

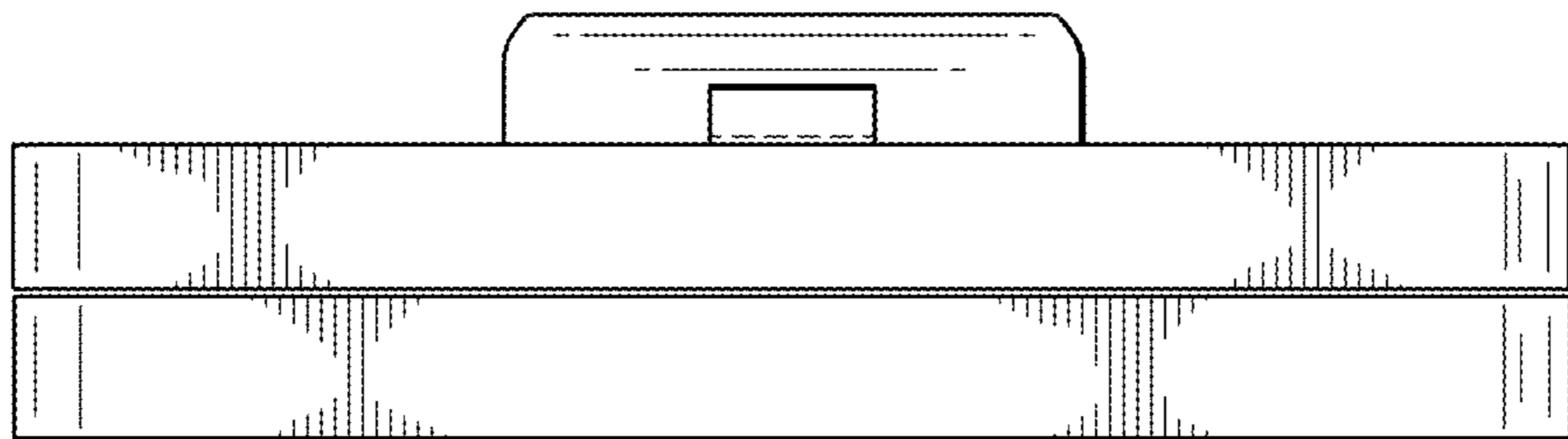


FIG. 7