



US00D907375S

(12) **United States Design Patent**
Liang

(10) **Patent No.:** **US D907,375 S**

(45) **Date of Patent:** **** Jan. 12, 2021**

(54) **MAKEUP MIRROR**

(71) Applicant: **Wencheng Liang**, Shenzhen (CN)

(72) Inventor: **Wencheng Liang**, Shenzhen (CN)

(**) Term: **15 Years**

(21) Appl. No.: **29/748,037**

(22) Filed: **Aug. 27, 2020**

(51) **LOC (13) Cl.** **06-07**

(52) **U.S. Cl.**
USPC **D6/312**

(58) **Field of Classification Search**
USPC D6/300-314; D28/64.6
CPC A45D 42/00; A45D 42/24; A45D 42/14;
A45D 42/16; A45D 42/10; A45D 42/08;
F21V 21/0965; F21V 21/30; F21V
33/004; A47G 1/00; A47G 1/06; A47G
1/0616; A47G 1/14; A47G 1/141; A47G
1/02

See application file for complete search history.

(56) **References Cited**

U.S. PATENT DOCUMENTS

D79,016 S *	7/1929	Buttrick et al.	D28/64.4
2,140,069 A *	12/1938	Bostwick	A45D 42/00 359/854
D241,800 S *	10/1976	Johnson et al.	D6/301
D464,808 S *	10/2002	Martinez	D6/300
D521,916 S *	5/2006	Spencer	D12/193
D543,707 S *	6/2007	Chan	D6/312
D572,024 S *	7/2008	Shapiro	D6/301
D573,188 S *	7/2008	Donat	D19/113
D606,762 S *	12/2009	Tang	D6/308
D825,205 S *	8/2018	Liu	D6/310
D833,762 S *	11/2018	Liu	D6/310
D861,356 S *	10/2019	Zhu	D6/310
D865,374 S *	11/2019	Yang	
D874,836 S *	2/2020	Li	D6/312
D877,520 S *	3/2020	Estores	D6/301
D879,407 S *	3/2020	Schechter	D1/102

D880,171 S	4/2020	Yang	
D881,588 S *	4/2020	Zhu	D6/310
D882,965 S *	5/2020	Liu	D6/302
D886,469 S *	6/2020	Liu	D6/310
D895,986 S *	9/2020	Yang	D6/312
D897,696 S *	10/2020	Zhou	D6/310
D897,697 S *	10/2020	Liu	D6/310

(Continued)

FOREIGN PATENT DOCUMENTS

EM 008147854-0001 * 8/2020

OTHER PUBLICATIONS

Anjou Makeup Mirror, available Aug. 4, 2018, [online], [site visited Nov. 21, 2020]. Available from internet, URL: <https://www.amazon.com/dp/B07D4FGNRG> (Year: 2018).*

(Continued)

Primary Examiner — W. A. Teddy Falloway

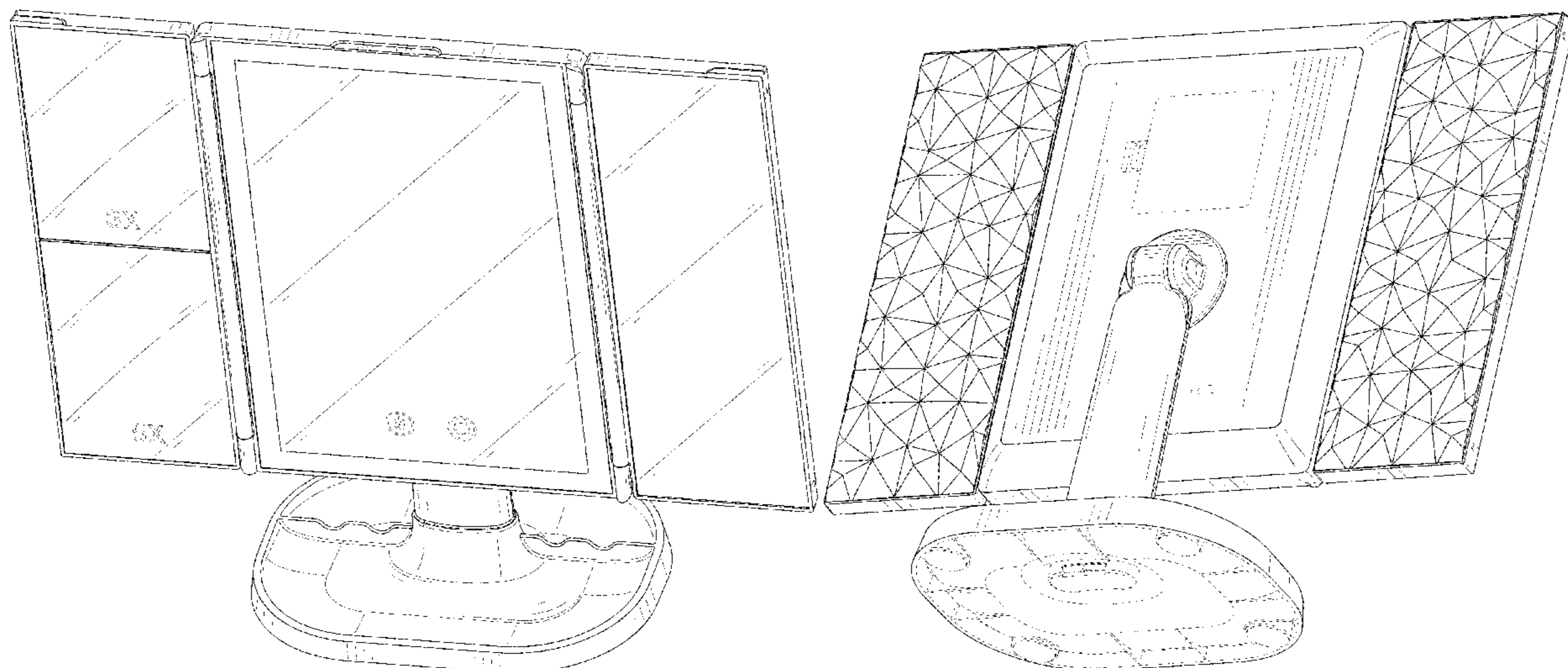
(57) **CLAIM**

The ornamental design for a makeup mirror, as shown and described.

DESCRIPTION

FIG. 1 is a perspective view of a makeup mirror showing my new design;
FIG. 2 is another perspective view thereof;
FIG. 3 is a front elevational view thereof;
FIG. 4 is a rear elevational view thereof;
FIG. 5 is a left side elevational view thereof;
FIG. 6 is a right side elevational view thereof;
FIG. 7 is a top plan view thereof;
FIG. 8 is a bottom plan view thereof; and,
FIG. 9 is a perspective view of the makeup mirror where the makeup mirror is in a closed state.
The broken lines in the drawings depict portions of the makeup mirror that form no part of the claimed design.

1 Claim, 9 Drawing Sheets



(56)

References Cited

U.S. PATENT DOCUMENTS

2014/0240964 A1* 8/2014 Adachi A45D 42/10
362/141
2016/0255941 A1* 9/2016 Yang G02B 5/0263
2020/0085170 A1* 3/2020 Yang A45D 42/10

OTHER PUBLICATIONS

AirExpect Makeup Mirror, available Dec. 18, 2018, [online], [site visited Nov. 21, 2020]. Available from internet, URL: https://www.amazon.com/Makeup-Mirror-Vanity-Lights-Magnification/dp/B07HNS6Q5B/ref=pd_rhf_dp_p_img_4?_encoding=UTF8&psc=1&refRID=AV4VH68E4Z8AVNGW8V4K (Year: 2018).*

Bestope Makeup Mirror, available Aug. 27, 2020, [online], [site visited Nov. 21, 2020]. Available from internet, URL: https://www.amazon.com/dp/B08BPFDP9/ref=sspa_dk_detail_4?psc=1&spLa=ZW5jenlwdGV (Year: 2020).*

* cited by examiner

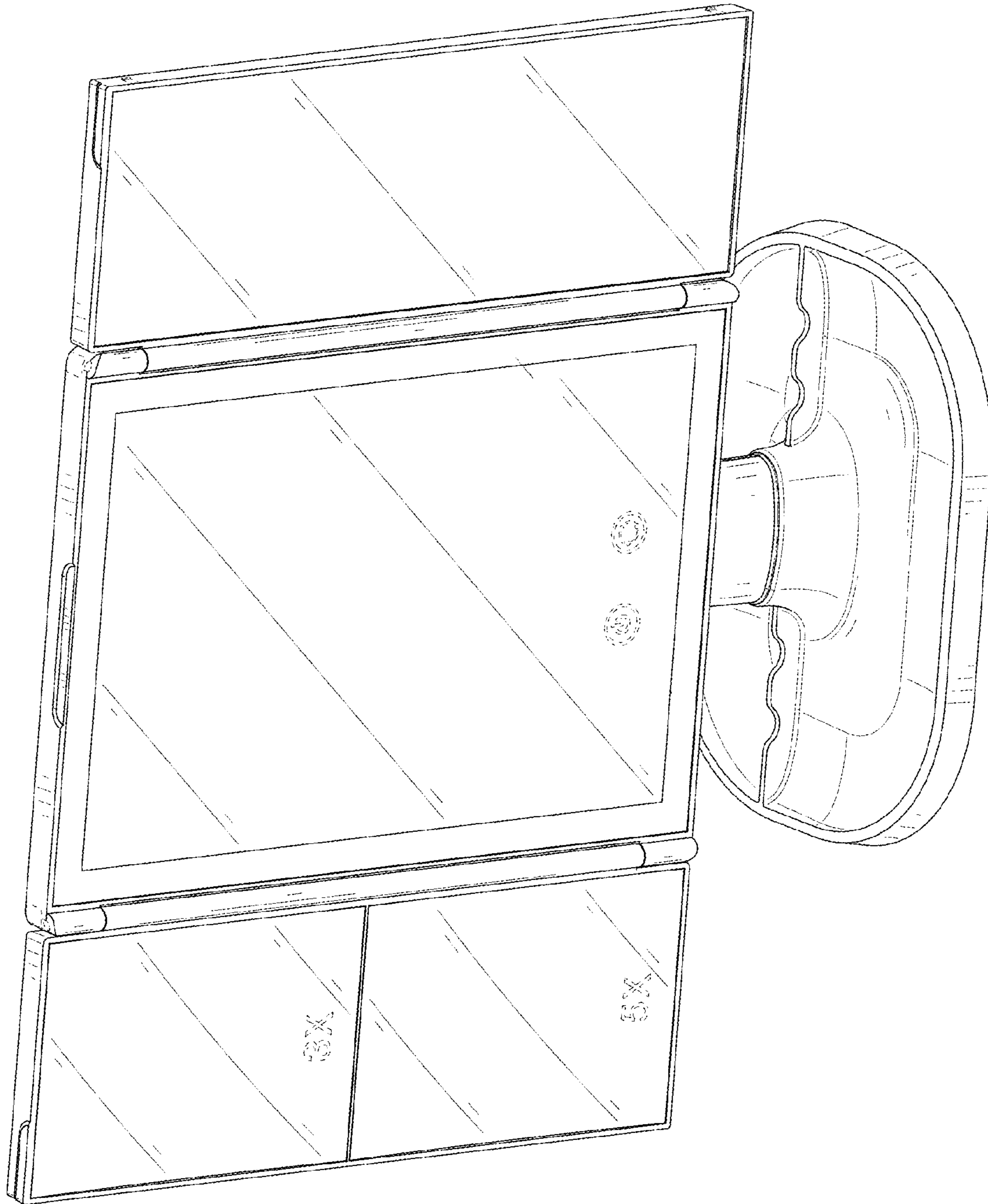


FIG. 1

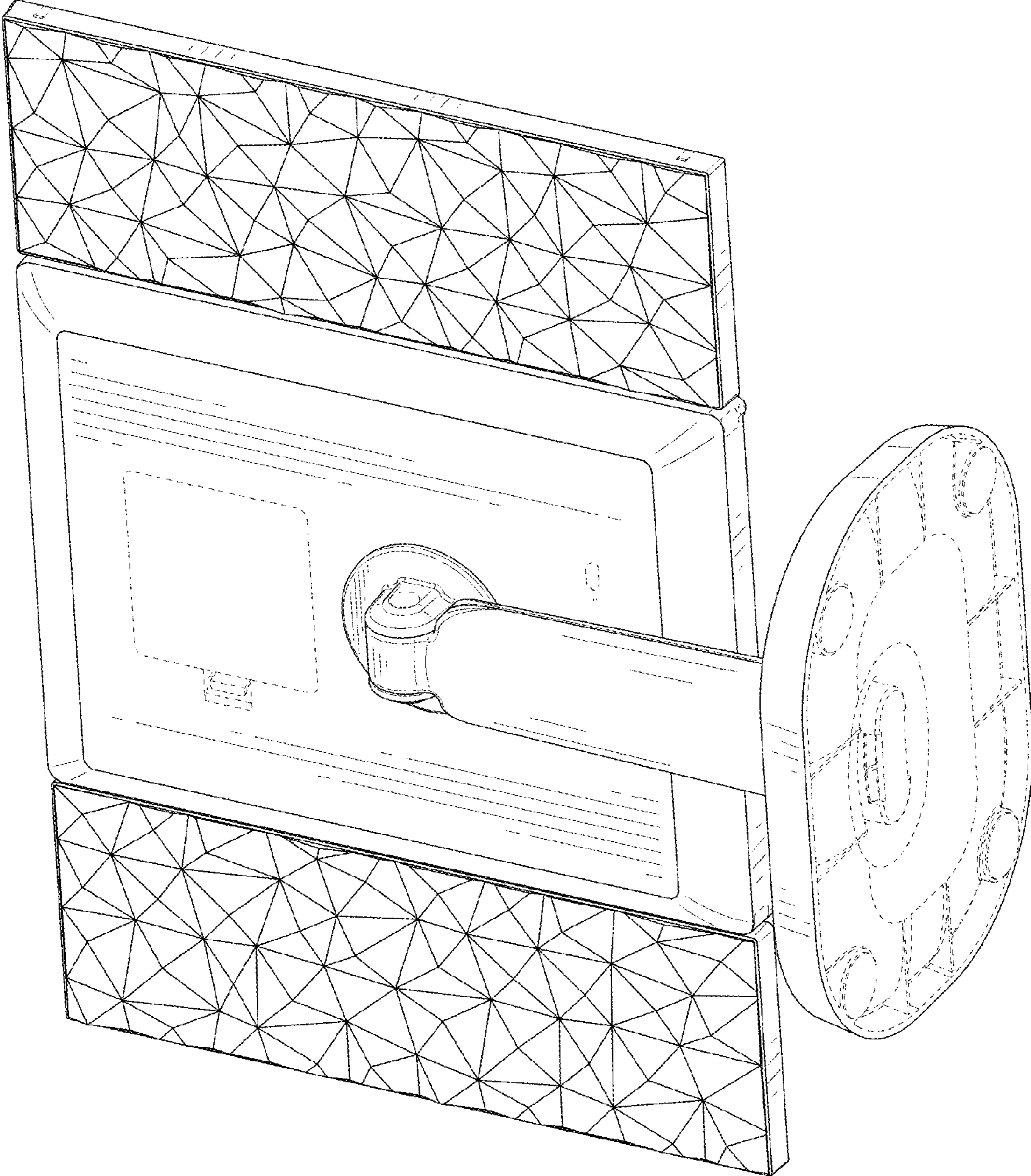


FIG. 2

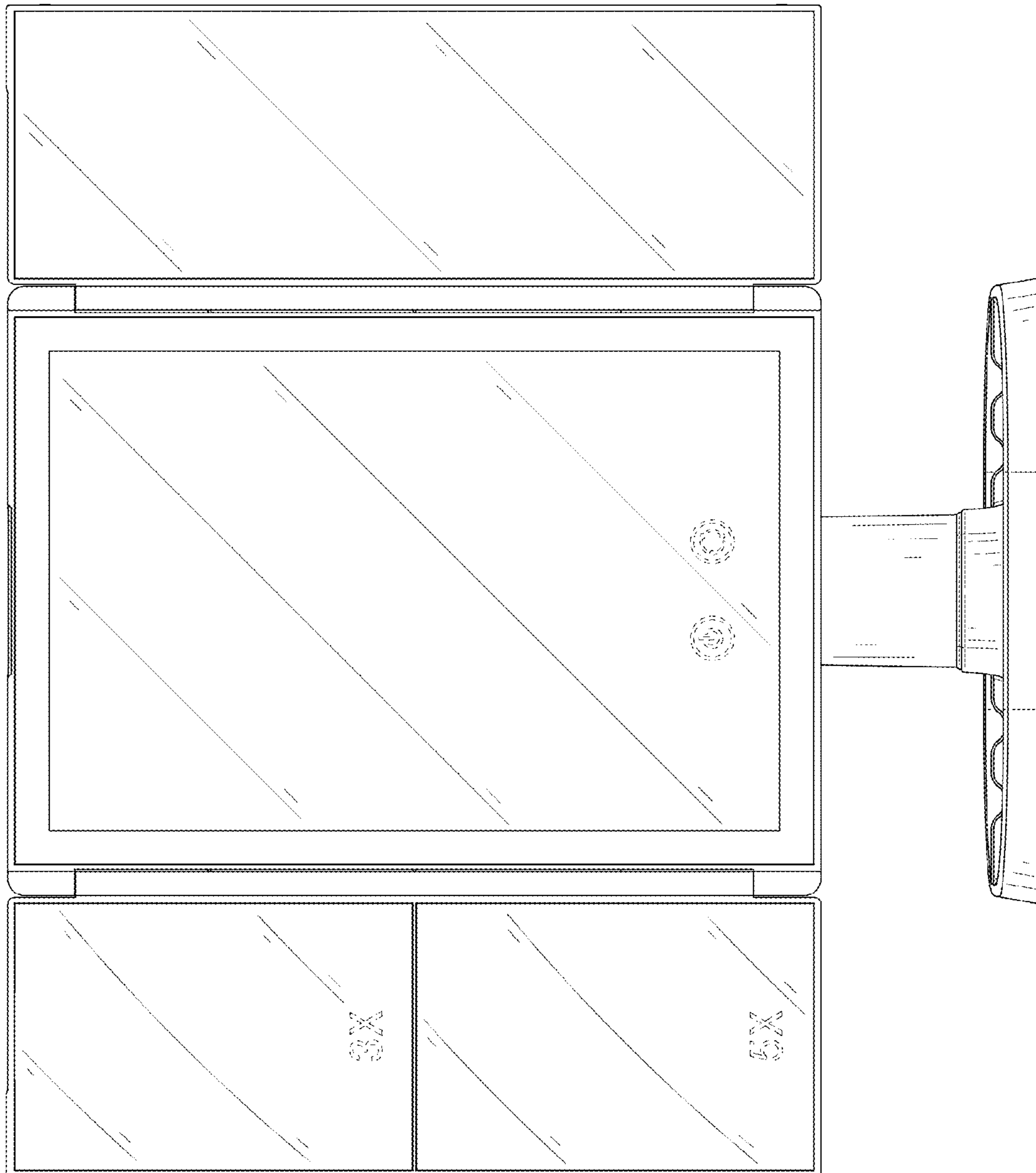


FIG. 3

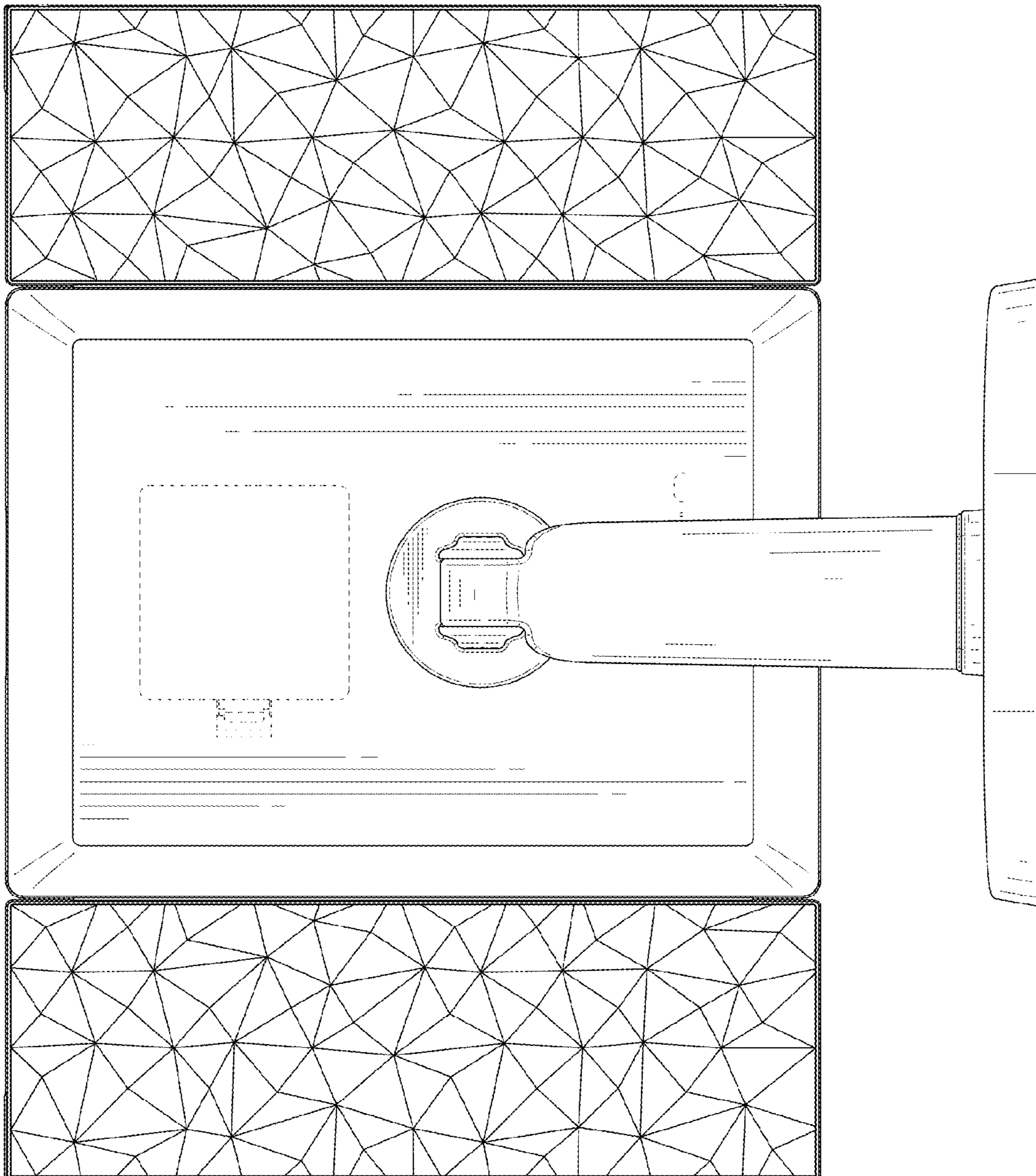


FIG. 4

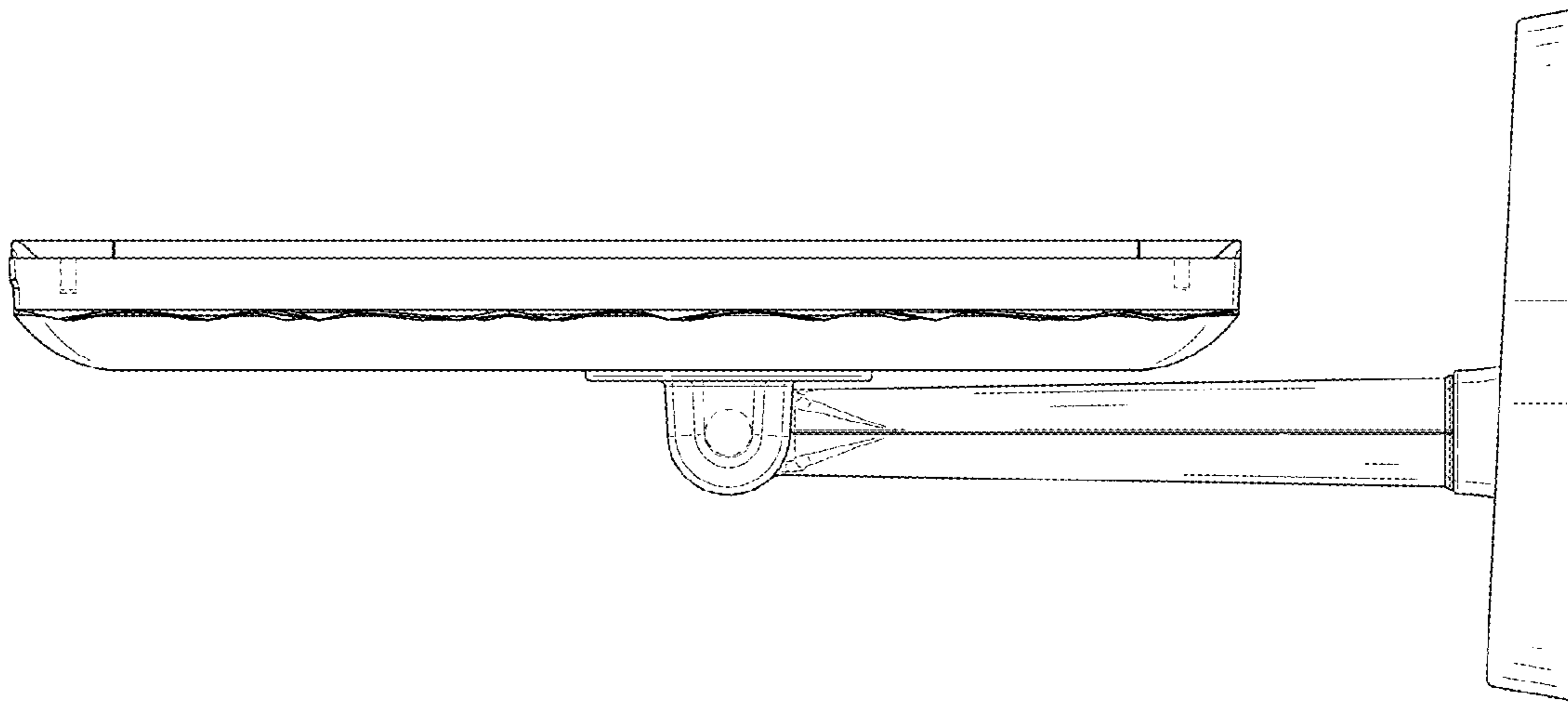


FIG. 5

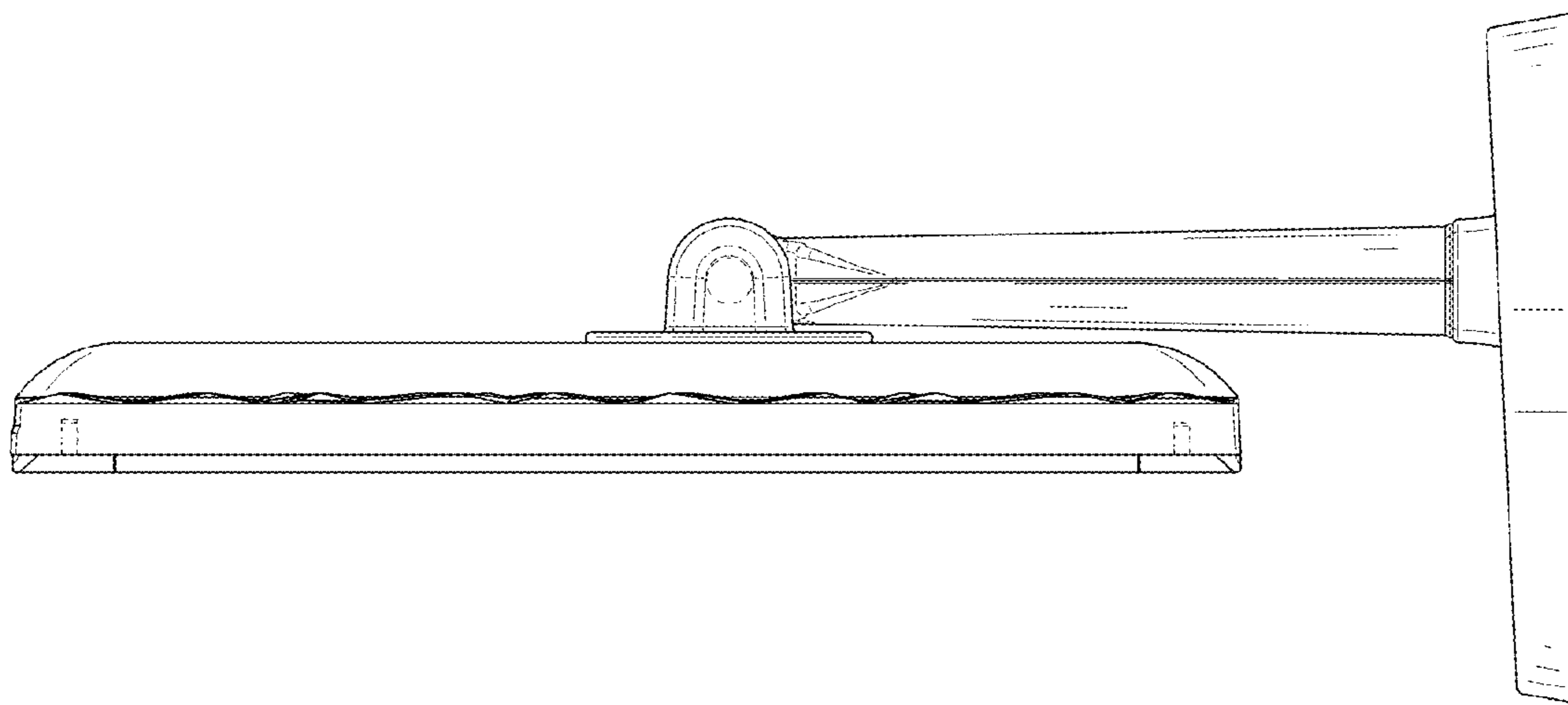


FIG. 6

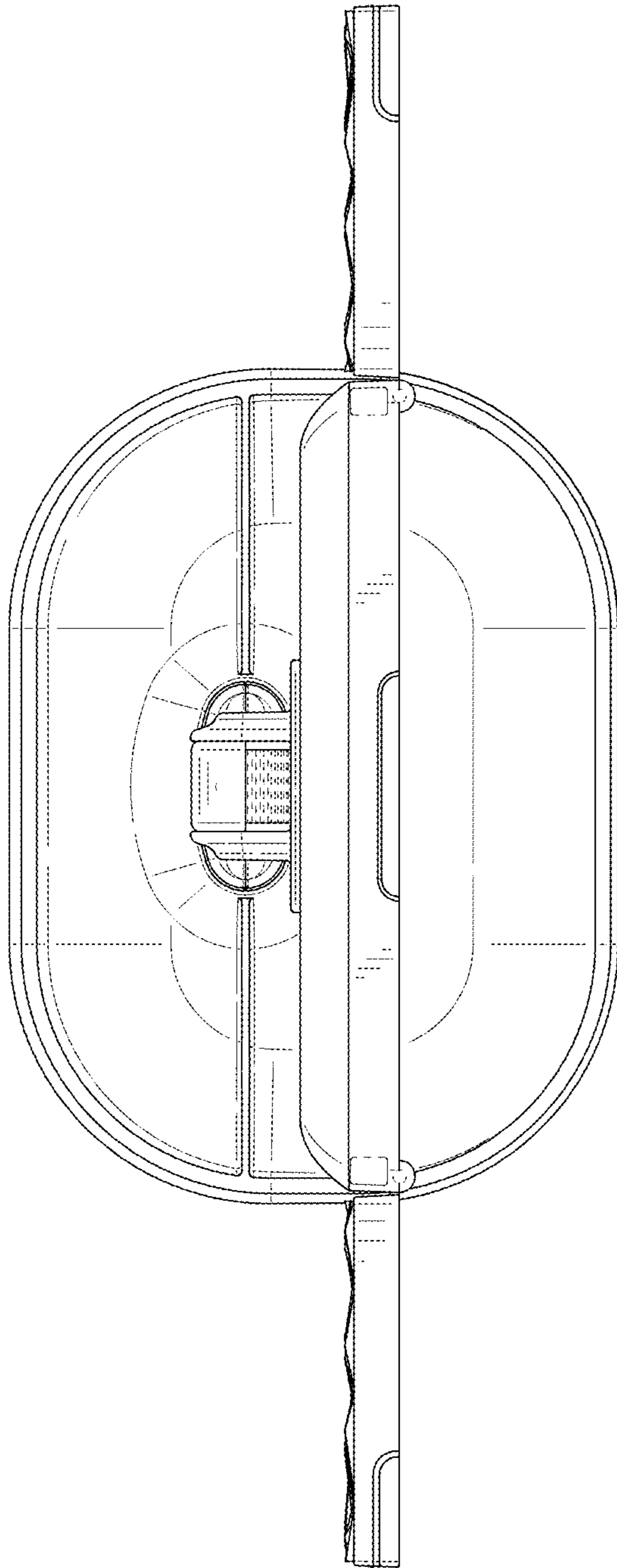


FIG. 7

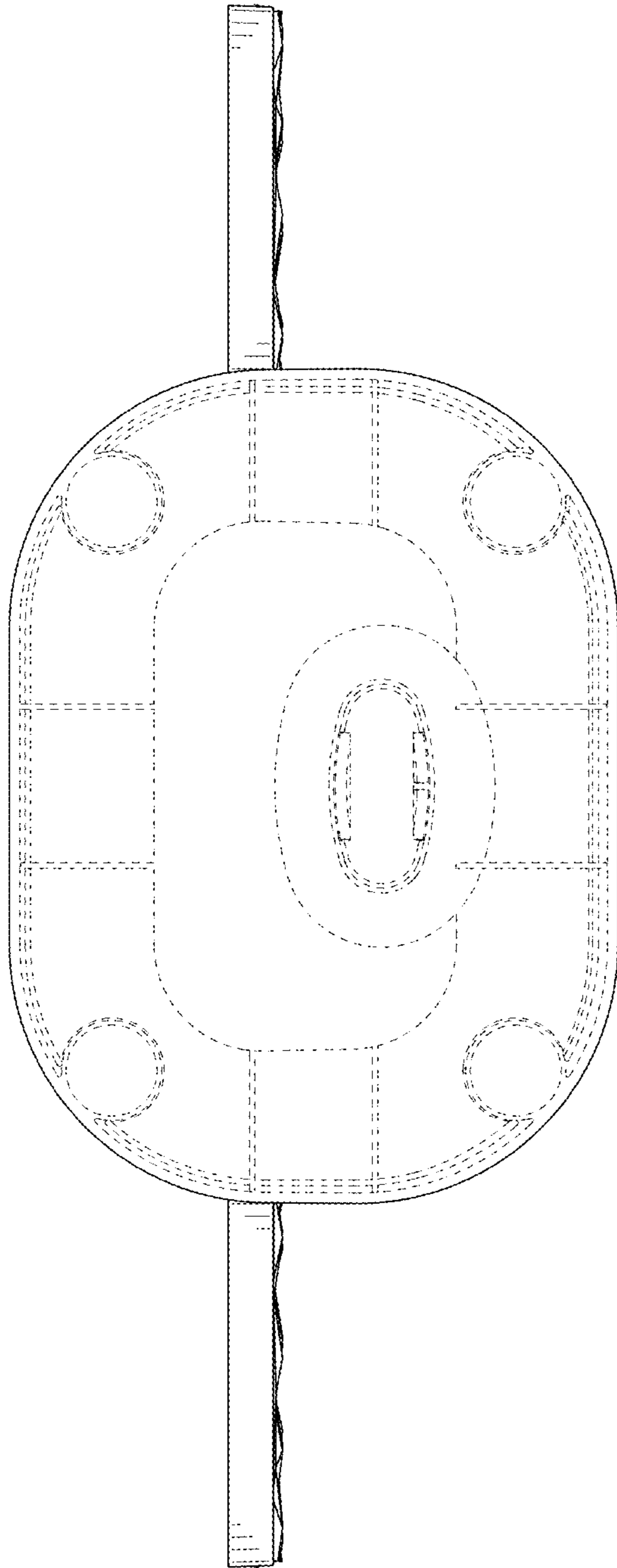


FIG. 8

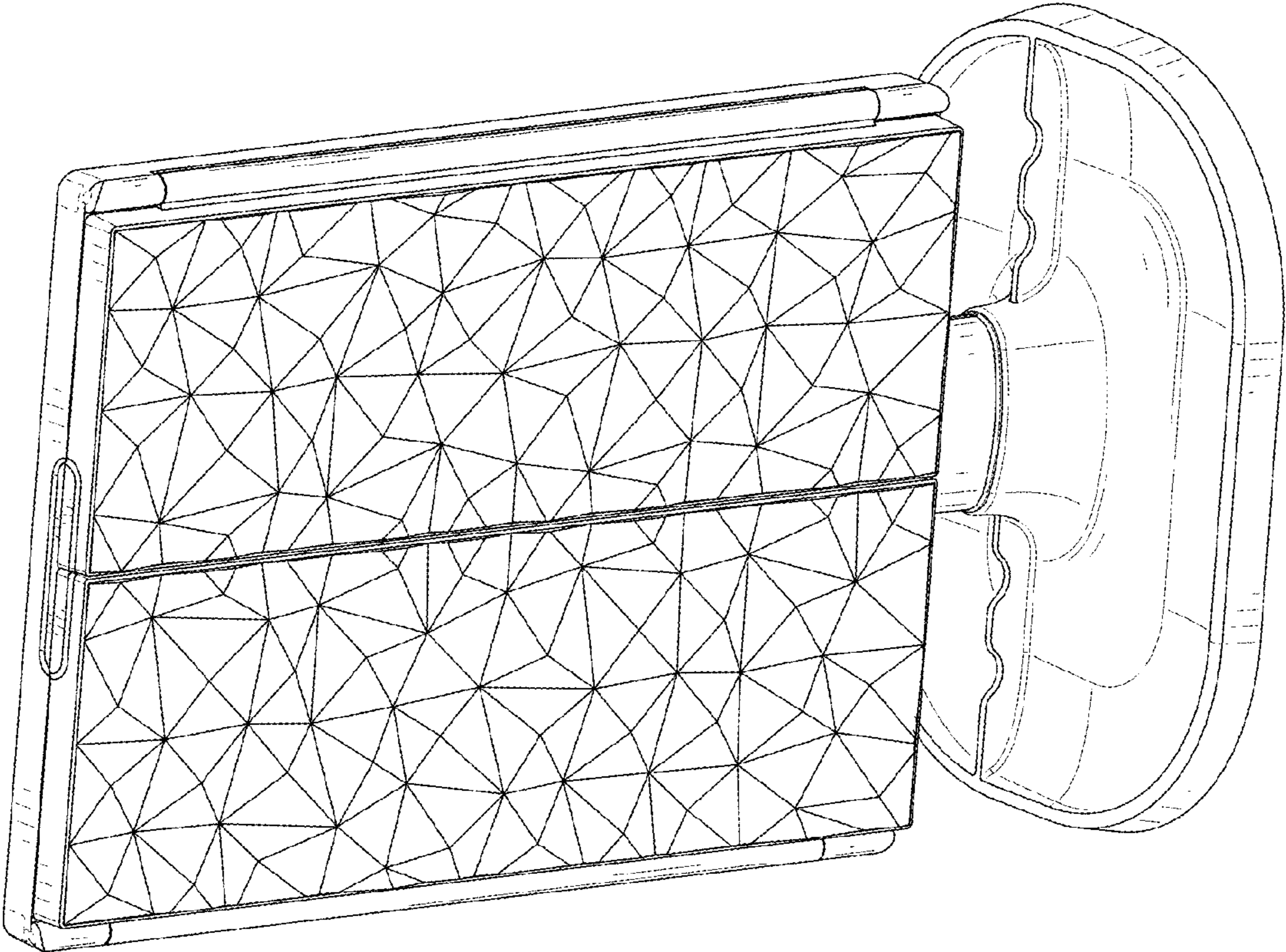


FIG. 9