



US00D907367S

(12) **United States Design Patent** (10) **Patent No.:** **US D907,367 S**
Shafir (45) **Date of Patent:** **** Jan. 12, 2021**

(54) **CONTAINER WITH LID**

- (71) Applicant: **CURVER Luxembourg Sarl**, Neidercorn (LU)
- (72) Inventor: **Eran Shafir**, Tel Aviv (IL)
- (73) Assignee: **CURVER Luxembourg Sarl**, Neidercorn (LU)
- (**) Term: **15 Years**
- (21) Appl. No.: **29/718,298**
- (22) Filed: **Dec. 23, 2019**

Related U.S. Application Data

- (62) Division of application No. 29/635,449, filed on Jan. 31, 2018, now Pat. No. Des. 878,047.
- (51) **LOC (13) Cl.** **03-01**
- (52) **U.S. Cl.**
USPC **D3/318**; D3/294; D3/282
- (58) **Field of Classification Search**
USPC D3/272, 273, 276, 279, 282, 294, 298, D3/905, 262, 302, 315, 318; D6/525, D6/657
CPC . B25H 3/02; B65D 1/24; B65D 25/06; B65D 25/20
See application file for complete search history.

(56) **References Cited**

U.S. PATENT DOCUMENTS

- 6,095,333 A * 8/2000 Bertrand B65D 21/0223 206/505
- D519,734 S * 5/2006 Richardson D3/273
- D878,047 S * 3/2020 Shafir D3/282
- 2006/0254946 A1 * 11/2006 Becklin B65D 21/0223 206/508

OTHER PUBLICATIONS

Walmart, "Your Zone Stacking Bin w/ Hinged Lid, Pink", First reviewed Jan. 21, 2020. (<https://www.walmart.com/ip/Your-Zone-Stacking-Bin-w-Hinged-Lid-Pink/851909492>) (Year: 2020).*

* cited by examiner

Primary Examiner — April Rivas

(74) *Attorney, Agent, or Firm* — Vorys, Sater, Seymour & Pease LLP; William Klima

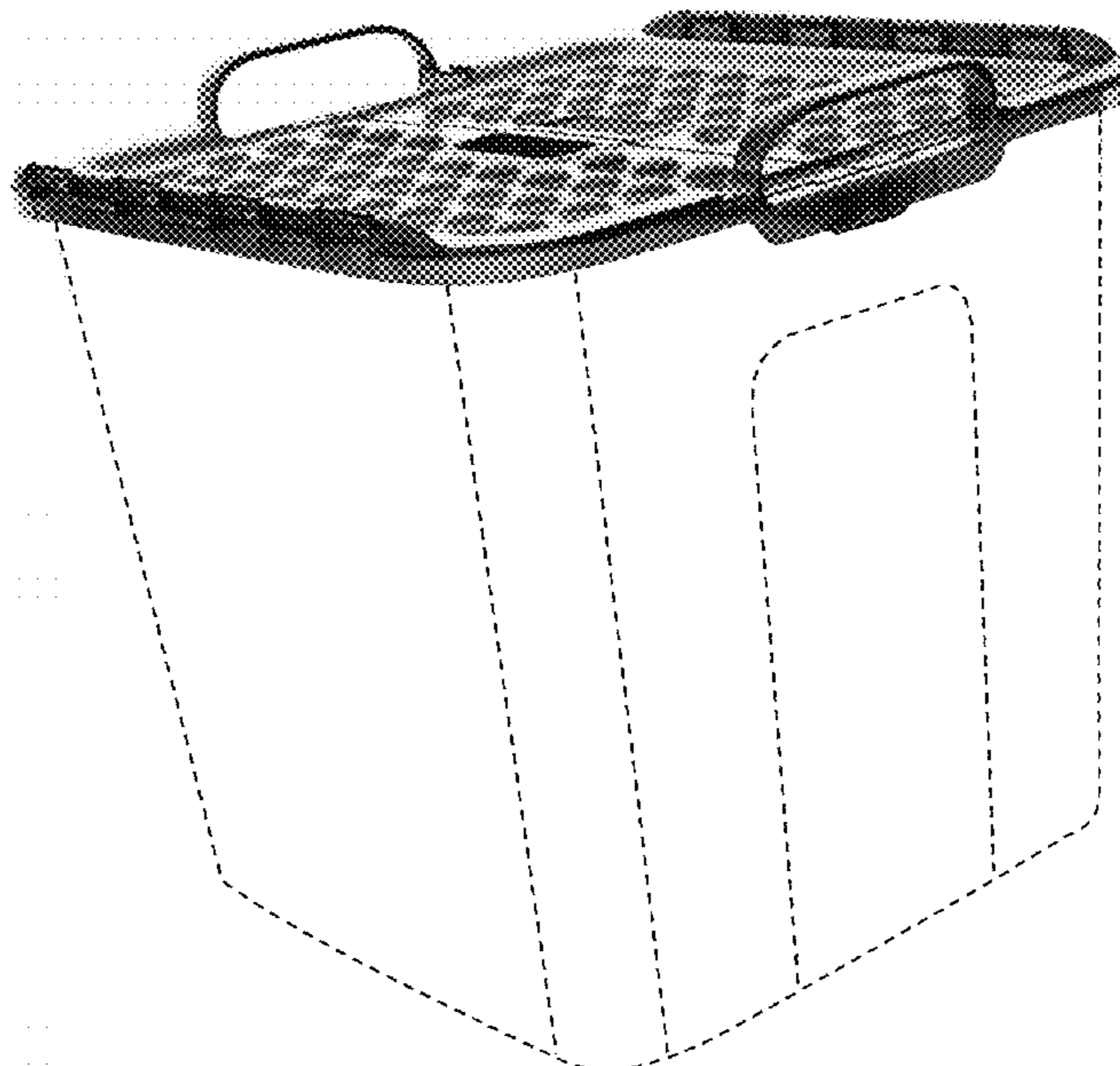
(57) **CLAIM**

The ornamental design for a container with lid, as shown and described.

DESCRIPTION

FIG. 1 is a top perspective view of a first variant of a container with lid;
 FIG. 2 is a side view thereof; other side being a mirror image of FIG. 2;
 FIG. 3 is a front view thereof; rear side being a mirror image of FIG. 3;
 FIG. 4 is a top view thereof;
 FIG. 5 is a bottom view thereof;
 FIG. 6 is a bottom perspective view thereof;
 FIG. 7 is a top perspective view of a second variant of a container with lid;
 FIG. 8 is a bottom perspective view thereof;
 FIG. 9 is a top view thereof;
 FIG. 10 is a side view thereof; other side being a mirror image of FIG. 10;
 FIG. 11 is a front view thereof; rear side being a mirror image of FIG. 11; and,
 FIG. 12 is a bottom view thereof.
 The features shown in broken lines form no part of the claimed design.

1 Claim, 12 Drawing Sheets



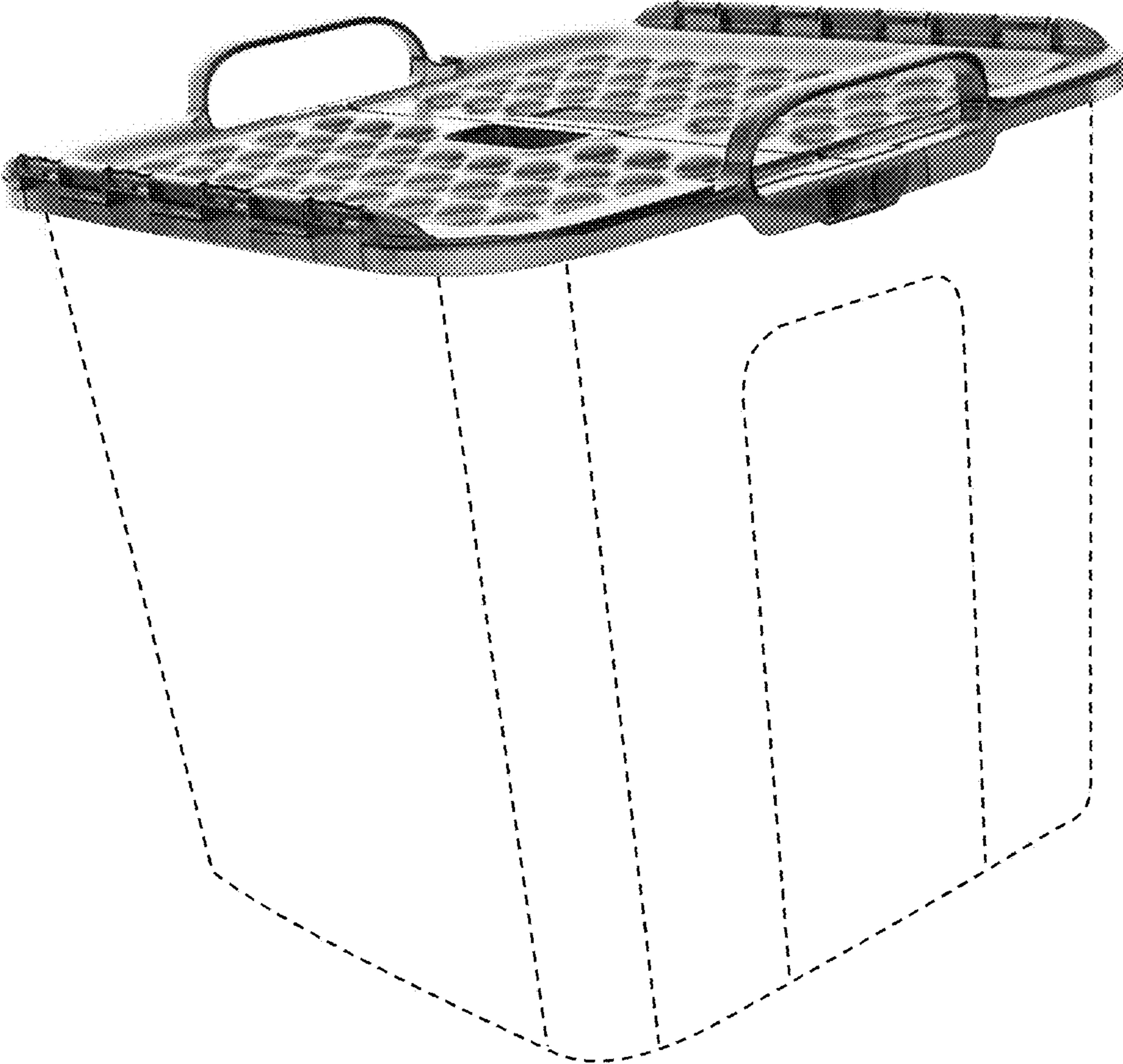


FIG. 1



FIG. 2



FIG. 3

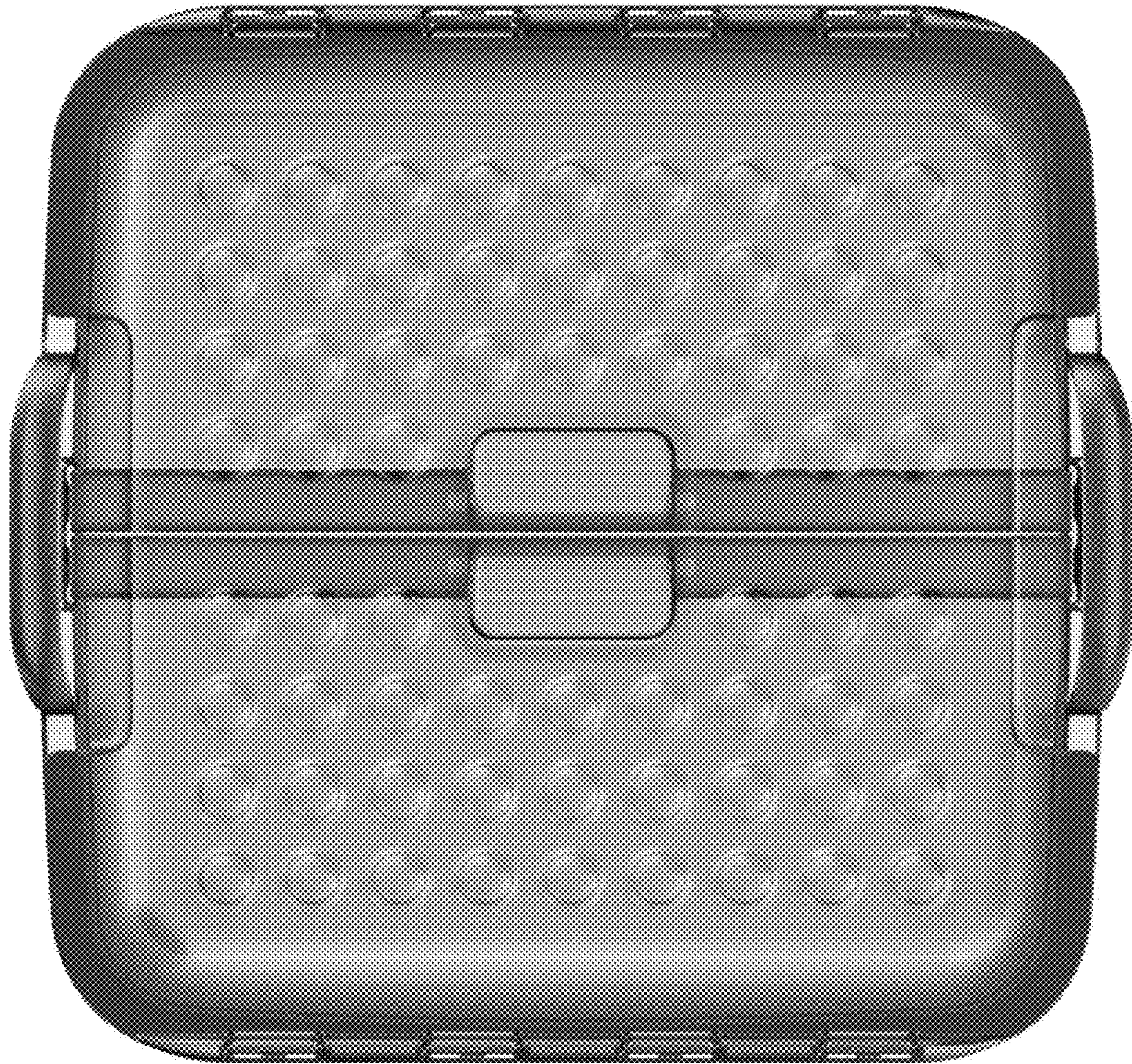


FIG. 4



FIG. 5

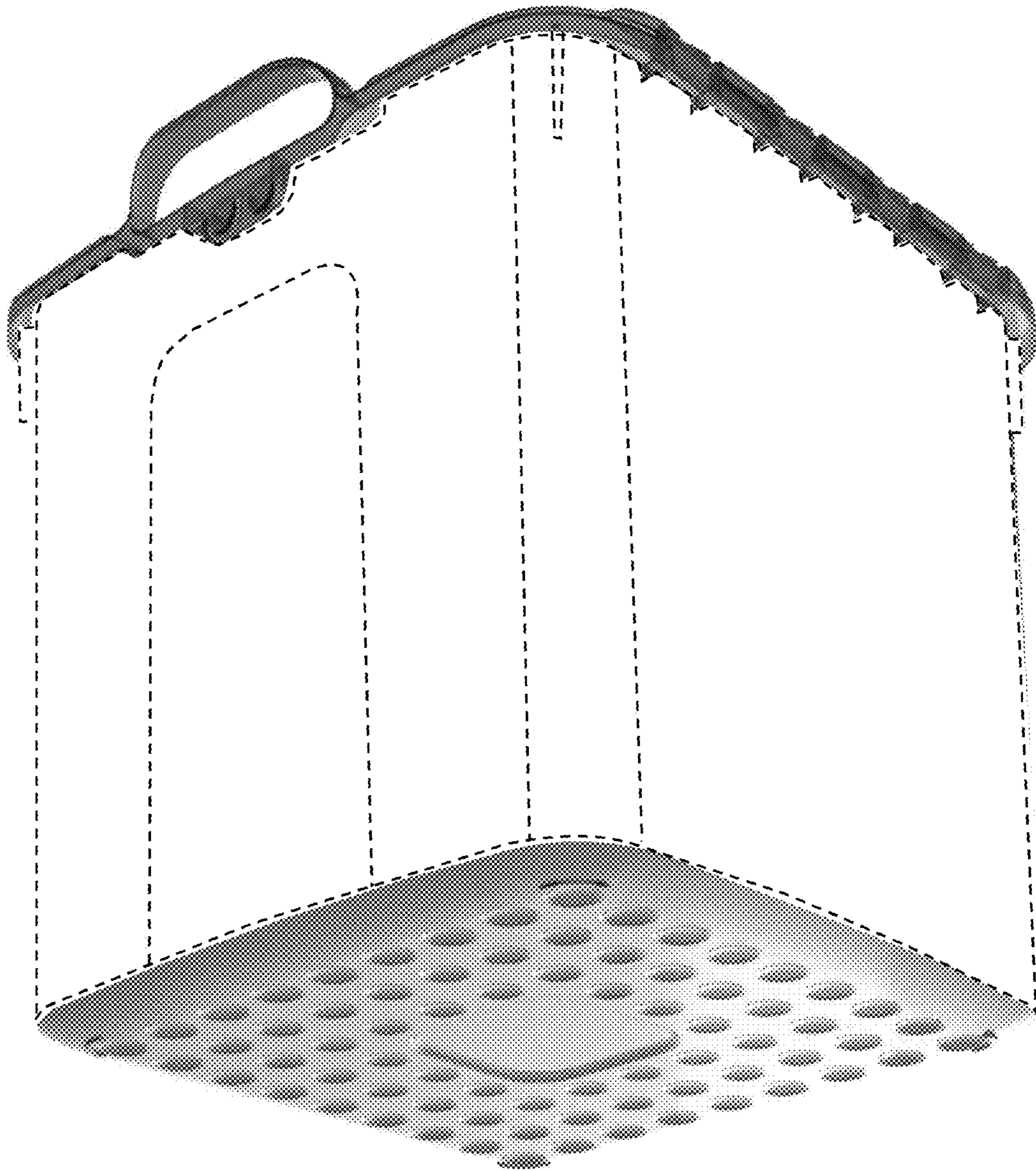


FIG. 6

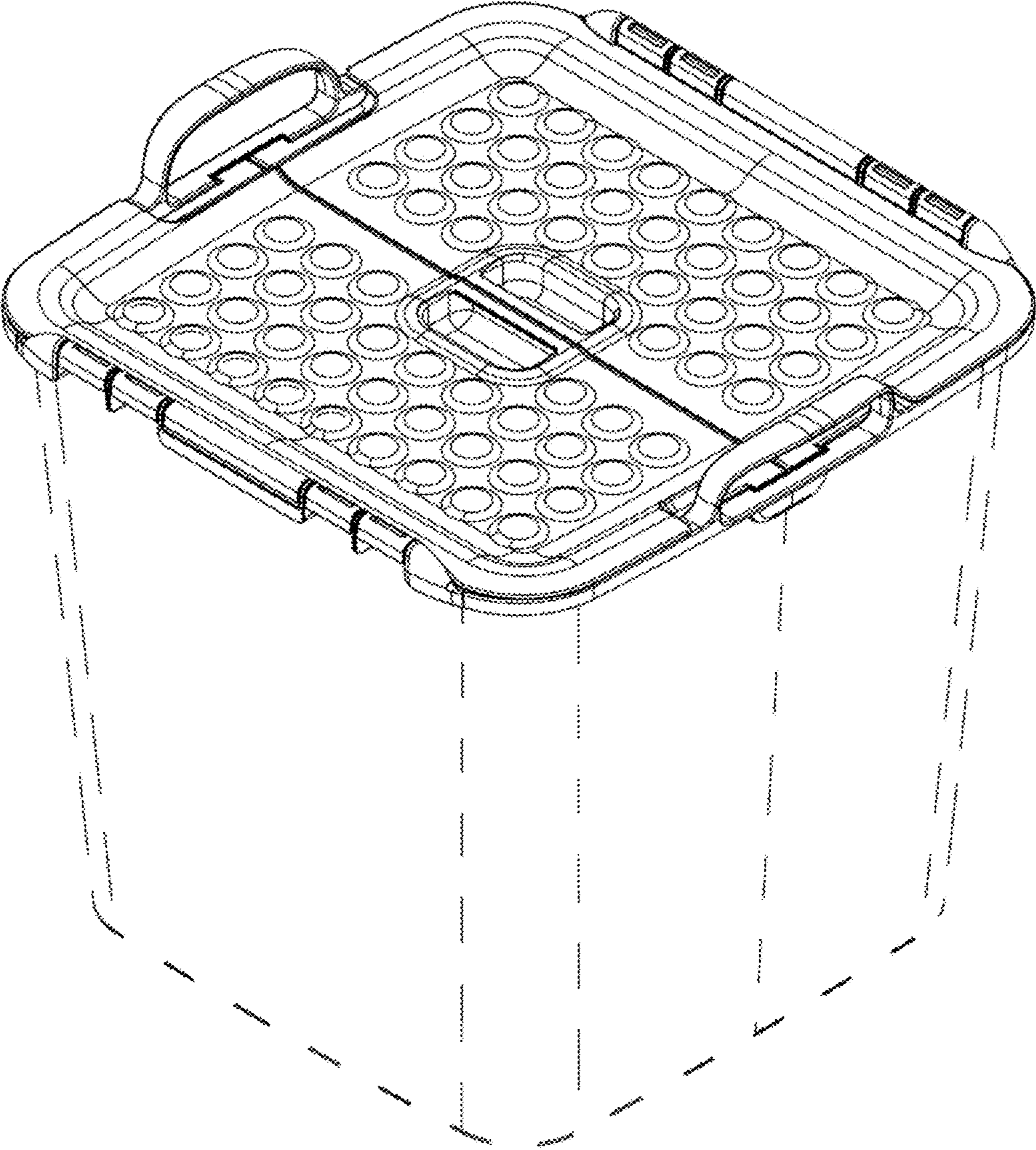


FIG. 7

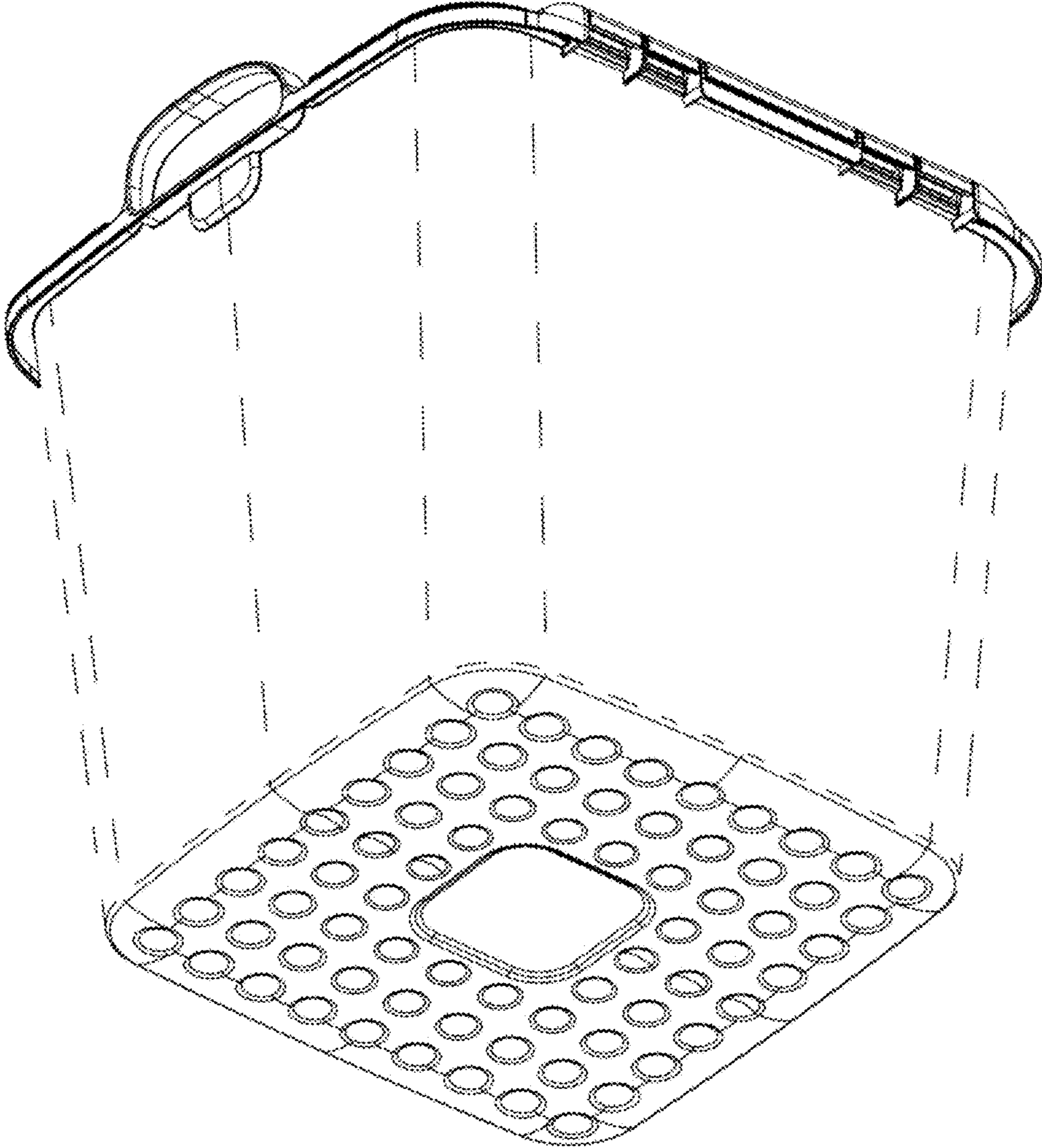


FIG. 8

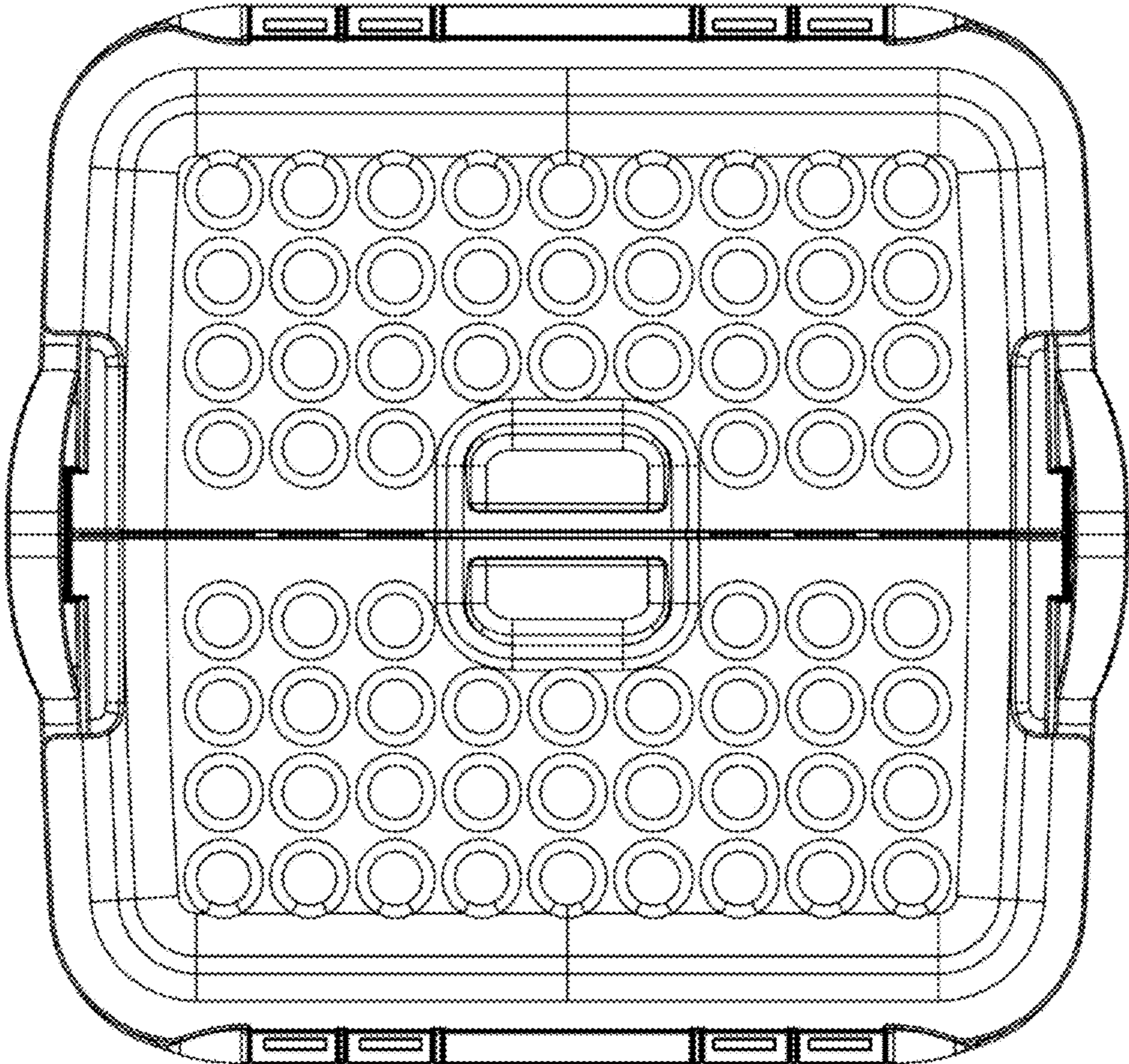


FIG. 9

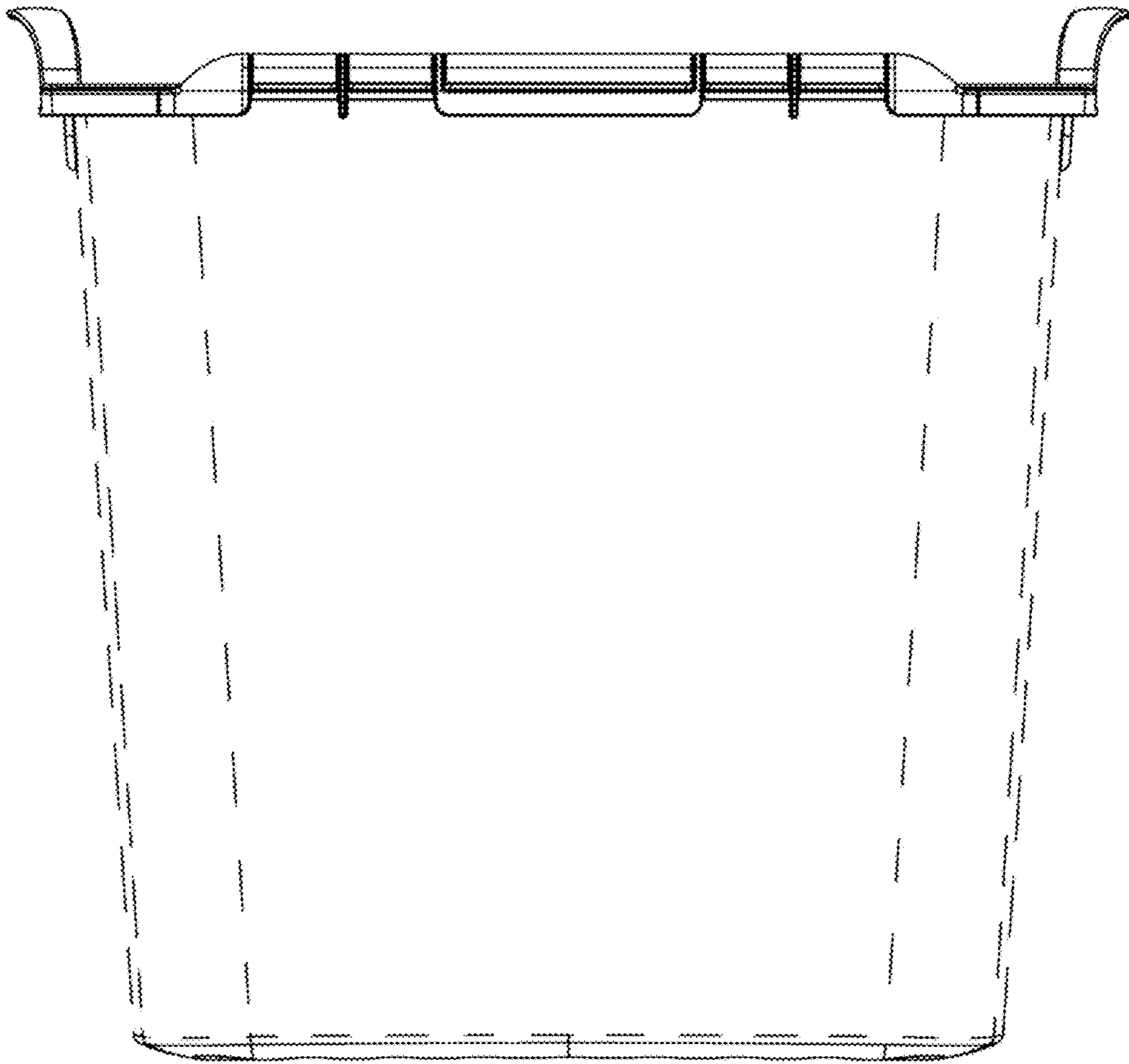


FIG. 10

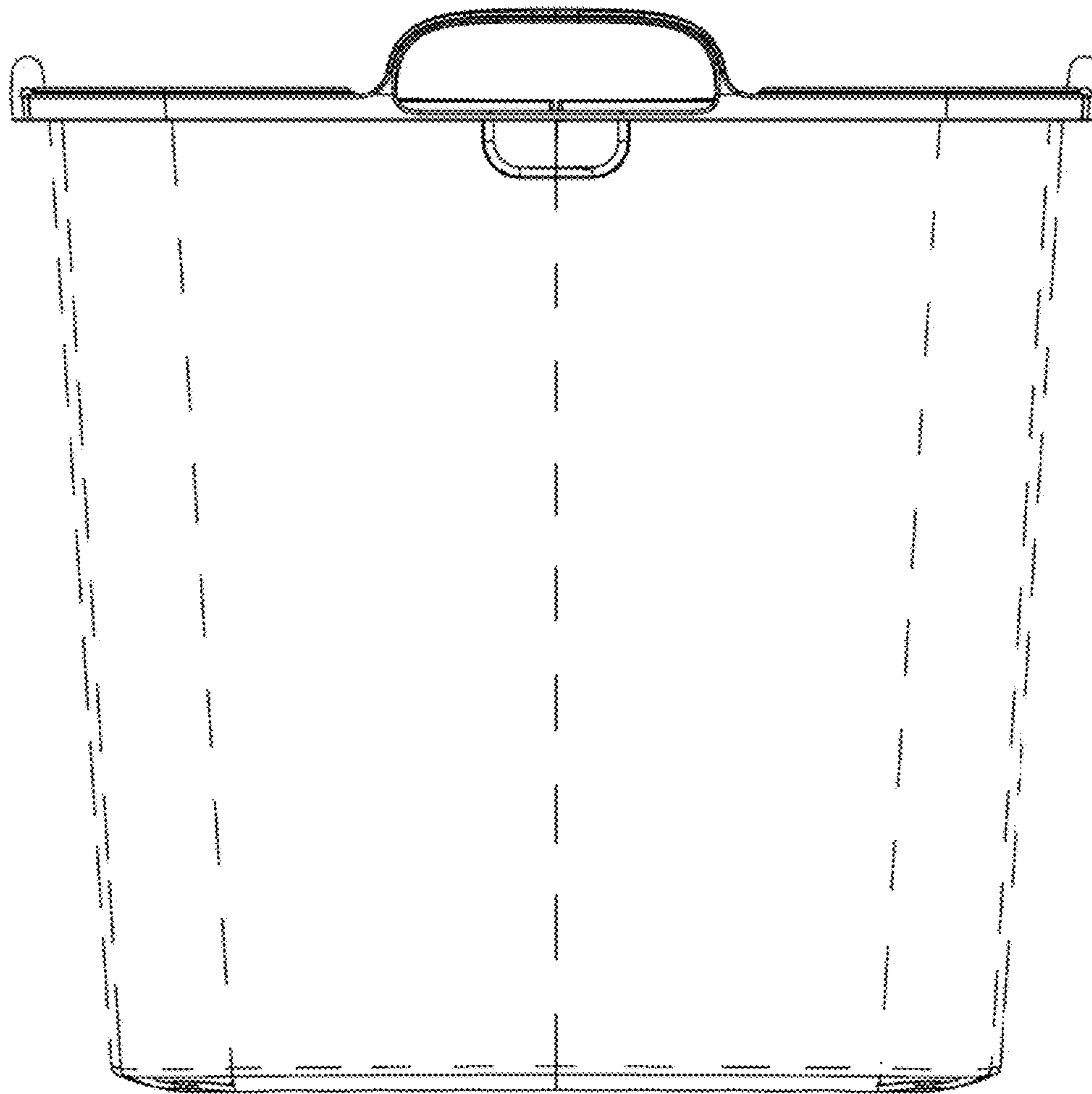


FIG. 11

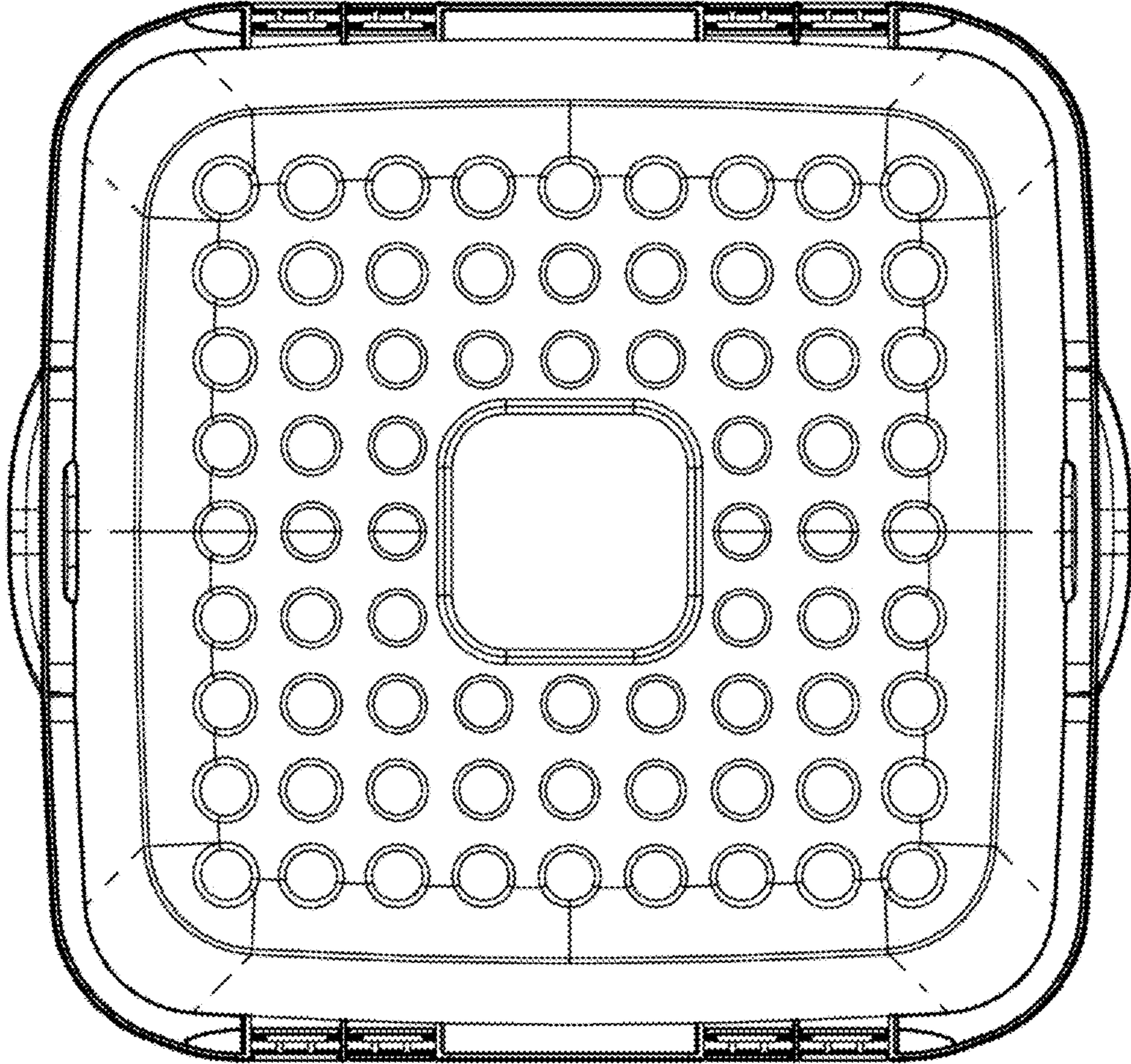


FIG. 12