



US00D907365S

(12) **United States Design Patent** (10) **Patent No.:** **US D907,365 S**
Roe (45) **Date of Patent:** **** Jan. 12, 2021**

- (54) **CONTAINER**
- (71) Applicant: **Australian Brushware Corporation Pty Ltd**, Hawthorn East (AU)
- (72) Inventor: **Matthew Roe**, Hawthorn East (AU)
- (73) Assignee: **Australian Bushware Corporation Pty Ltd.**, Hawthorn East (AU)
- (**) Term: **15 Years**
- (21) Appl. No.: **29/692,822**
- (22) Filed: **May 29, 2019**
- (51) **LOC (13) Cl.** **03-01**
- (52) **U.S. Cl.**
USPC **D3/307**
- (58) **Field of Classification Search**
USPC D3/201, 304, 307, 308, 315; D6/512,
D6/525, 672, 675; D32/37
CPC ... B65D 1/00; B65D 1/34; B65D 5/46; B65D
5/46072; B65D 21/00
See application file for complete search history.

- D775,831 S 1/2017 Duvigneau
- D780,264 S 2/2017 Greenspon et al.
- D792,759 S 7/2017 Foster et al.
- D795,583 S 8/2017 Diehl

(Continued)

Primary Examiner — Kelley A Donnelly
(74) *Attorney, Agent, or Firm* — Dunlap Bennett & Ludwig, PLLC; Brendan E. Squire

(57) **CLAIM**

The ornamental design for a container, as shown and described.

DESCRIPTION

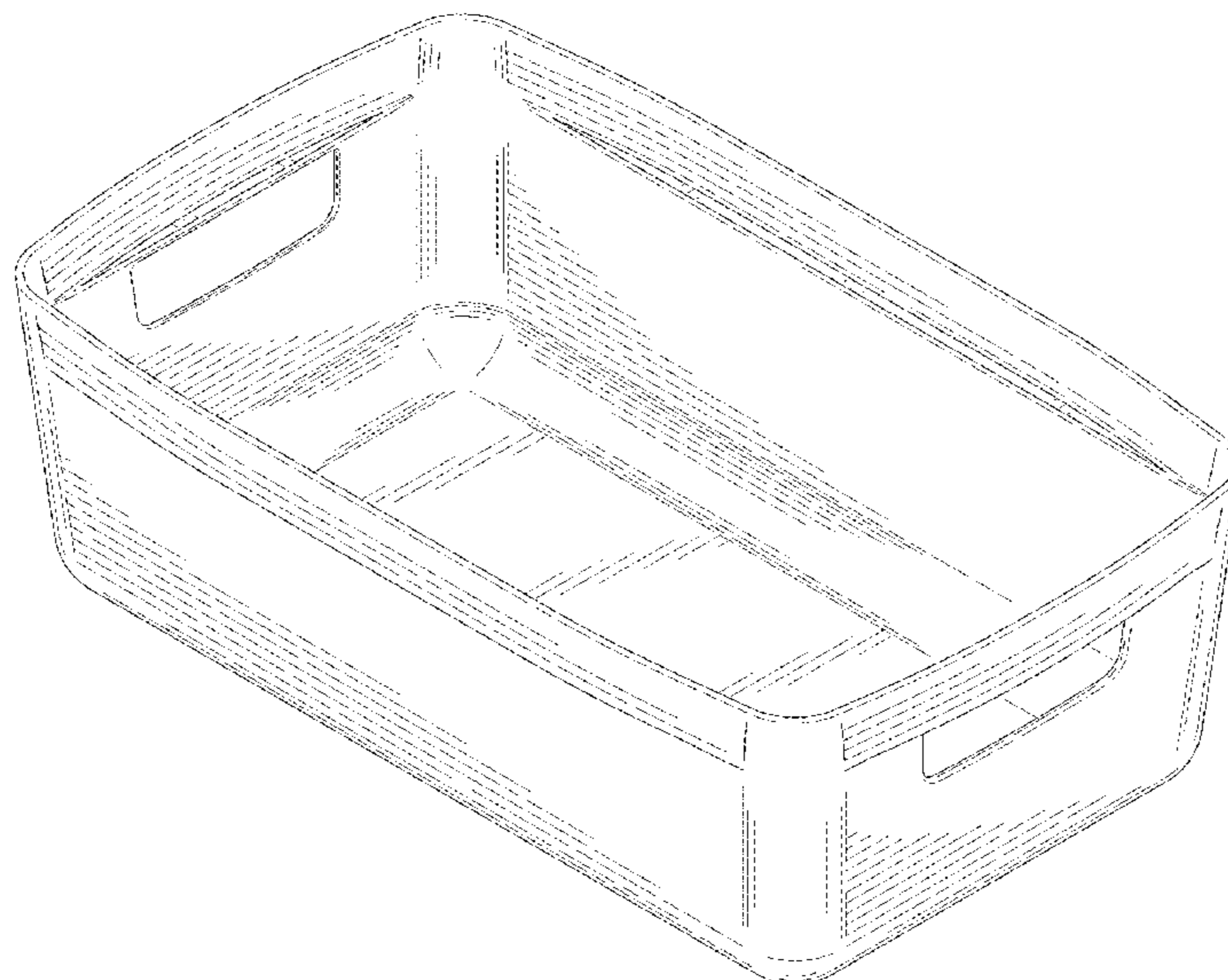
FIG. 1 is a top front perspective view of the first embodiment of a container, showing my new design;
 FIG. 2 is a front elevation view thereof, with the rear elevation view being a mirror image thereof;
 FIG. 3 is a right side elevation view thereof, with the left side elevation view being a mirror image thereof;
 FIG. 4 is a top plan view thereof;
 FIG. 5 is a bottom plan view thereof;
 FIG. 6 is a top front perspective view of a second embodiment of a container showing my new design;
 FIG. 7 is a front elevation view thereof, with the rear elevation view being a mirror image thereof;
 FIG. 8 is a right side elevation view thereof, with the left side elevation view being a mirror image thereof;
 FIG. 9 is a top plan view thereof;
 FIG. 10 is a bottom plan view thereof;
 FIG. 11 is a top front perspective view of a third embodiment of a container showing my new design;
 FIG. 12 is a front elevation view thereof, with the rear elevation view being a mirror image thereof;
 FIG. 13 is a right side elevation view thereof, with the left side elevation view being a mirror image thereof;
 FIG. 14 is a top plan view thereof; and,
 FIG. 15 is a bottom plan view thereof.

(56) **References Cited**

U.S. PATENT DOCUMENTS

D171,324 S *	1/1954	De Puy	D7/549
D251,034 S	2/1979	Carroll et al.		
D494,759 S	8/2004	Louie et al.		
D505,788 S	6/2005	Sorrenti et al.		
D526,851 S *	8/2006	Groff	D7/552.1
D530,918 S *	10/2006	Snell	D3/304
D591,510 S *	5/2009	Auer	D3/304
D639,000 S *	5/2011	Weber	D30/161
D657,562 S	4/2012	McNamara		
D710,612 S	8/2014	Kolano		
D732,827 S	6/2015	Suomela		
D746,593 S	1/2016	Kroll		
D772,058 S	11/2016	Urushidani		
D772,059 S	11/2016	Urushidani et al.		
D772,575 S	11/2016	Stelmarski		
D775,830 S *	1/2017	Duvigneau	D3/304

1 Claim, 10 Drawing Sheets



(56)

References Cited

U.S. PATENT DOCUMENTS

D803,675	S	11/2017	Middleton et al.	
D805,385	S	12/2017	Johnson	
D807,168	S	1/2018	Bouveret	
D809,797	S	2/2018	Kraemer	
D820,552	S *	6/2018	Duvigneau	D34/37
D825,182	S	8/2018	Joyce et al.	
D825,923	S	8/2018	Suomela et al.	
D827,303	S	9/2018	Duvigneau	
D831,963	S	10/2018	Hernandez et al.	
D832,115	S *	10/2018	Fitchett	D9/711
D838,482	S	1/2019	Pistauer	
D842,606	S *	3/2019	Kraemer	D3/307
D842,607	S *	3/2019	Kraemer	D3/310
D866,973	S *	11/2019	Snell	D3/314
D878,050	S *	3/2020	Kraemer	D3/307
D878,051	S *	3/2020	Kraemer	D3/307
D887,141	S *	6/2020	Mazor	D3/307
2008/0000914	A1 *	1/2008	Frankenstein	A45C 13/02 220/507

* cited by examiner

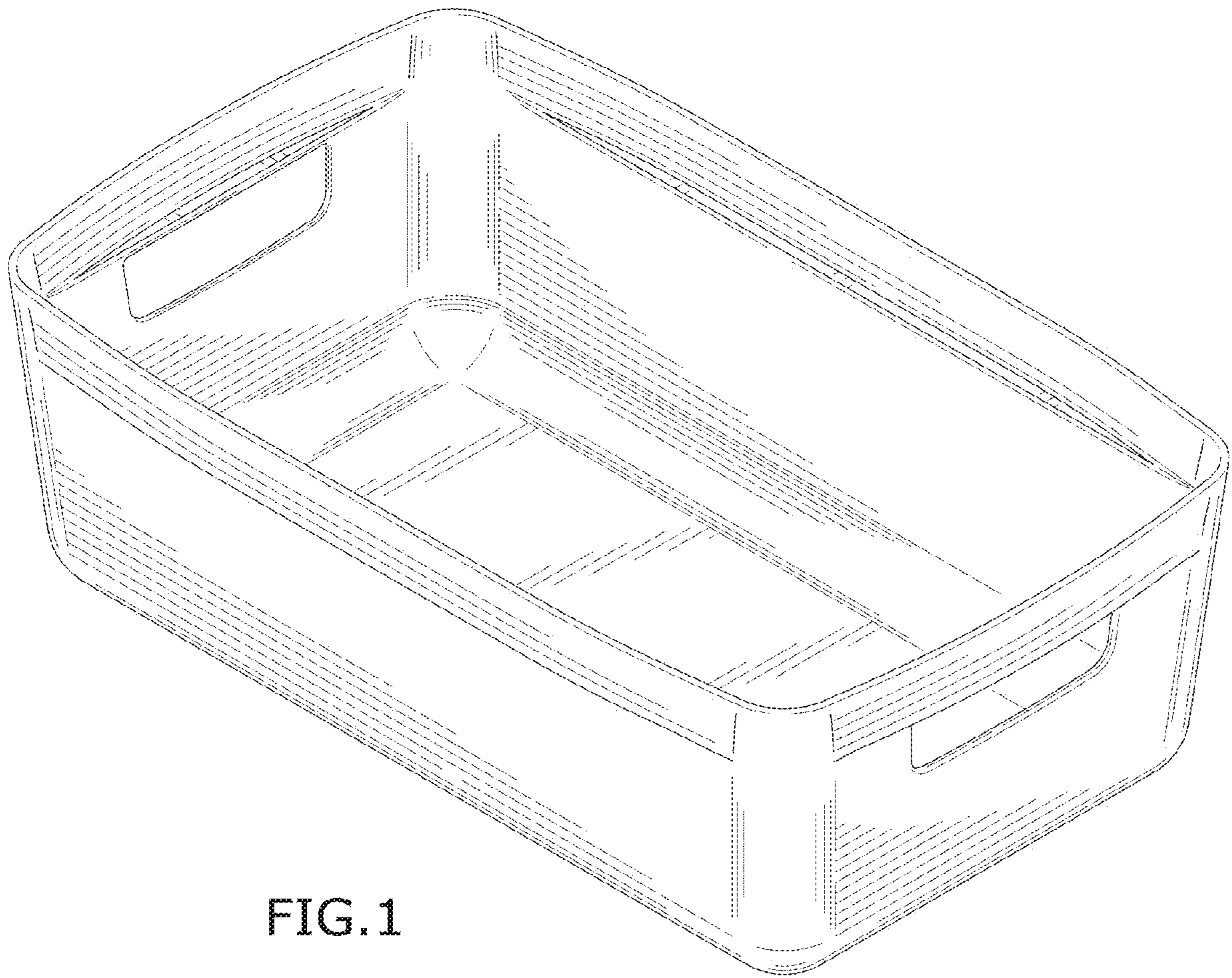


FIG. 1

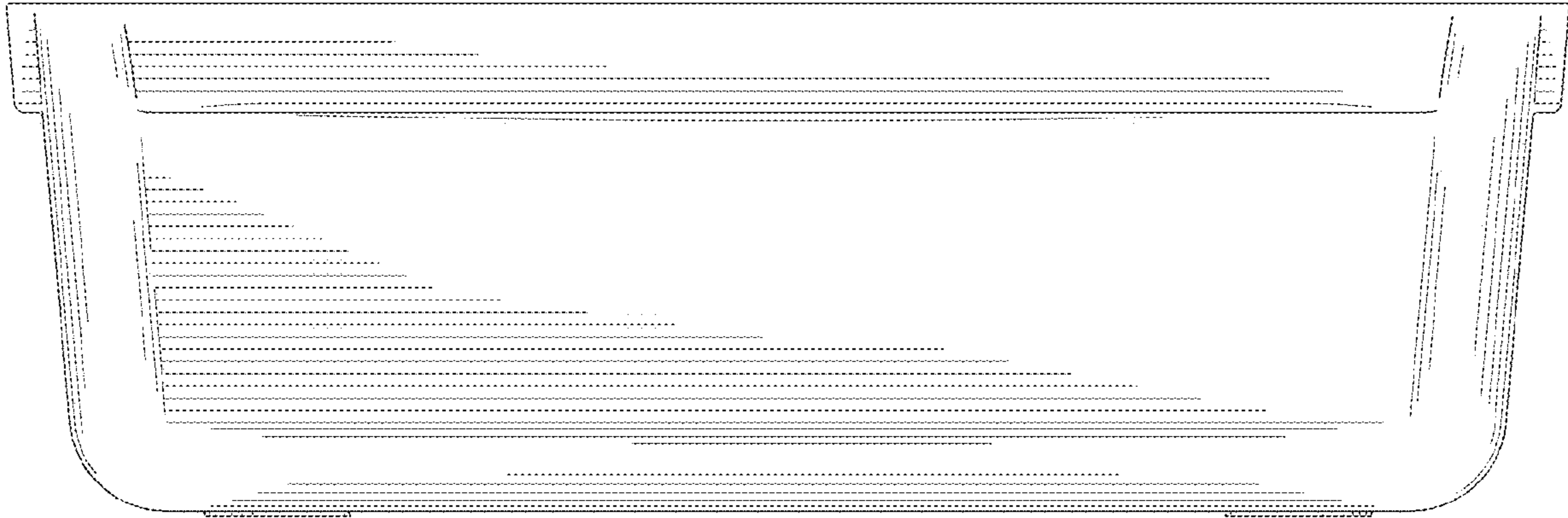


FIG. 2

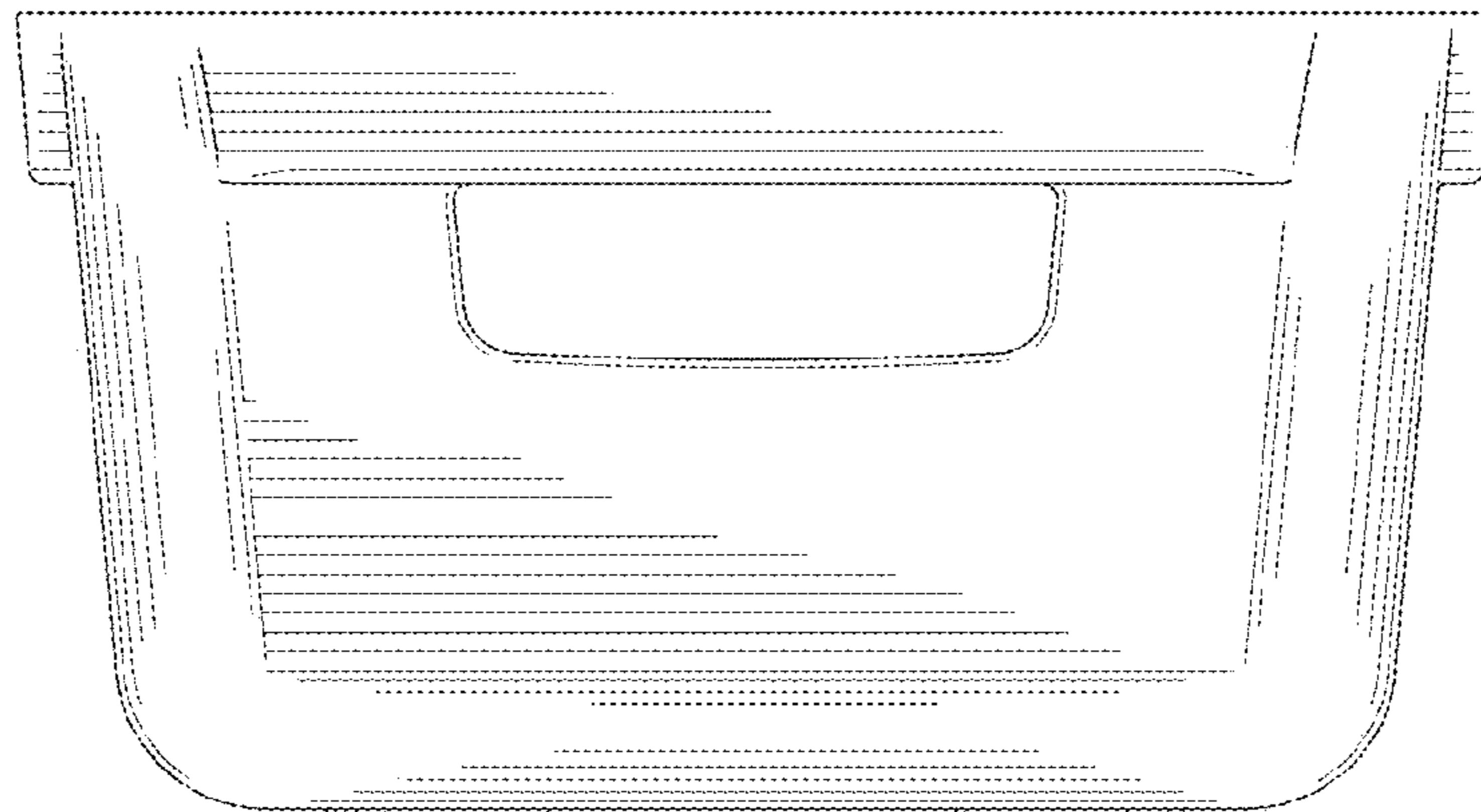


FIG. 3

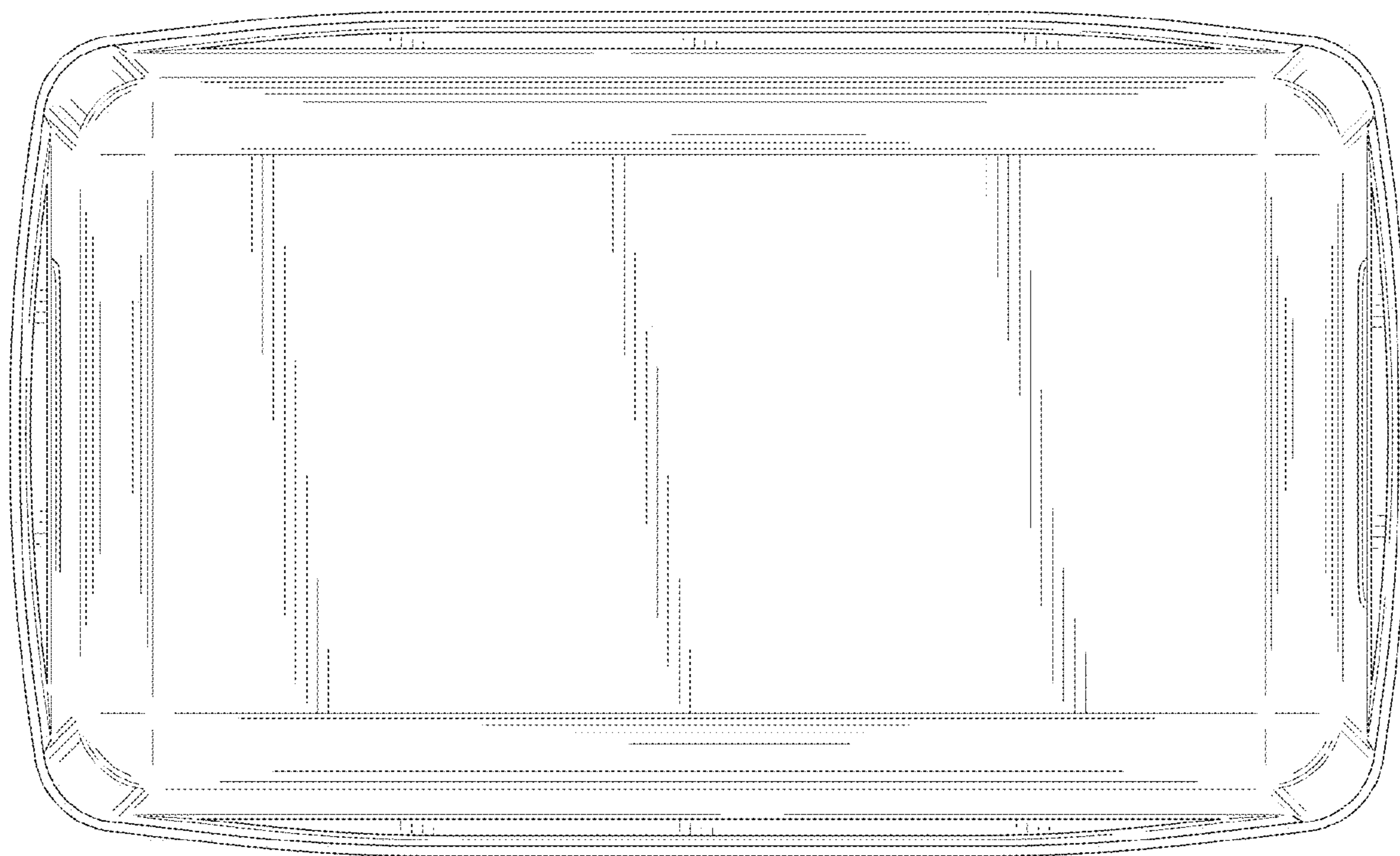


FIG. 4

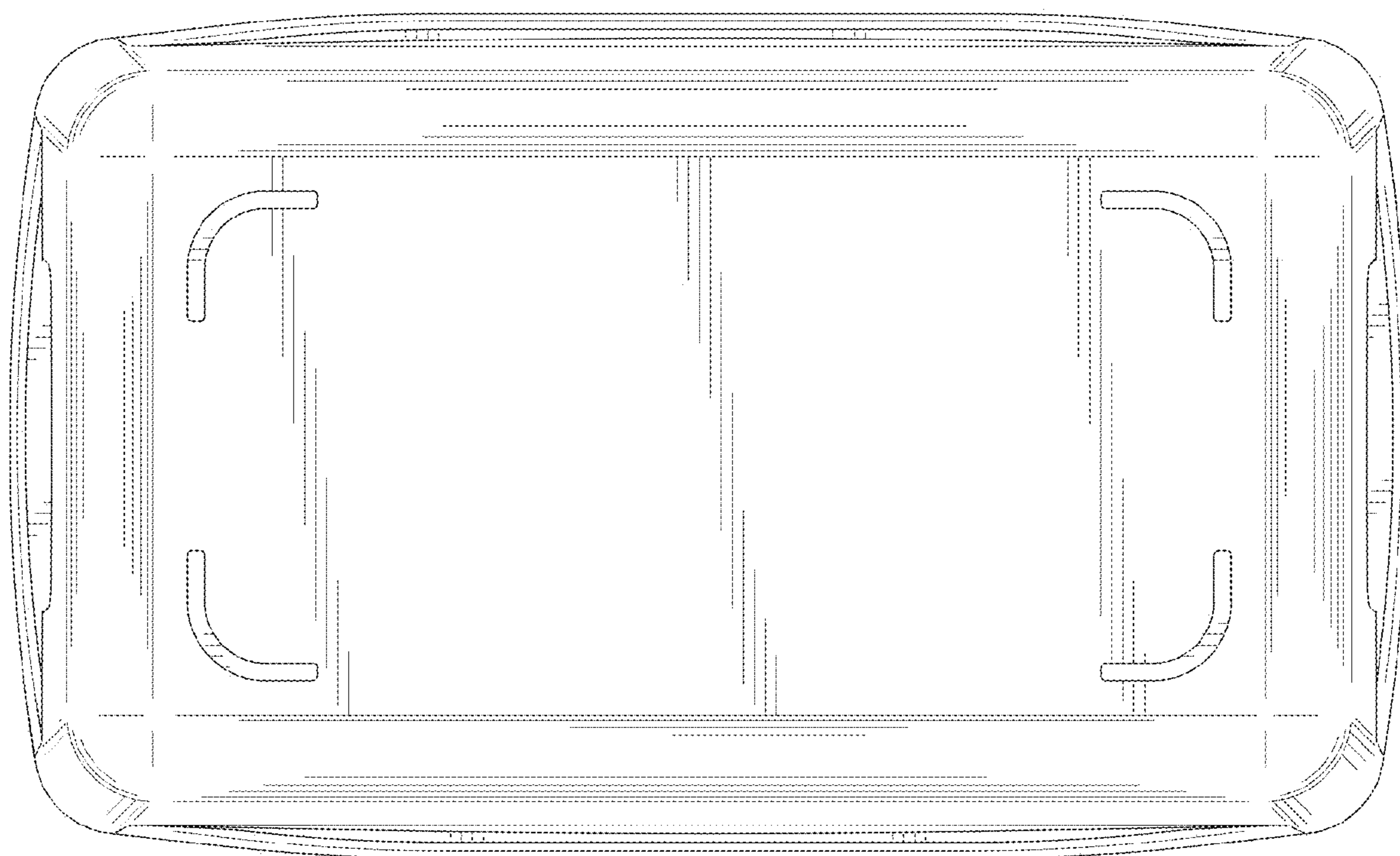


FIG. 5

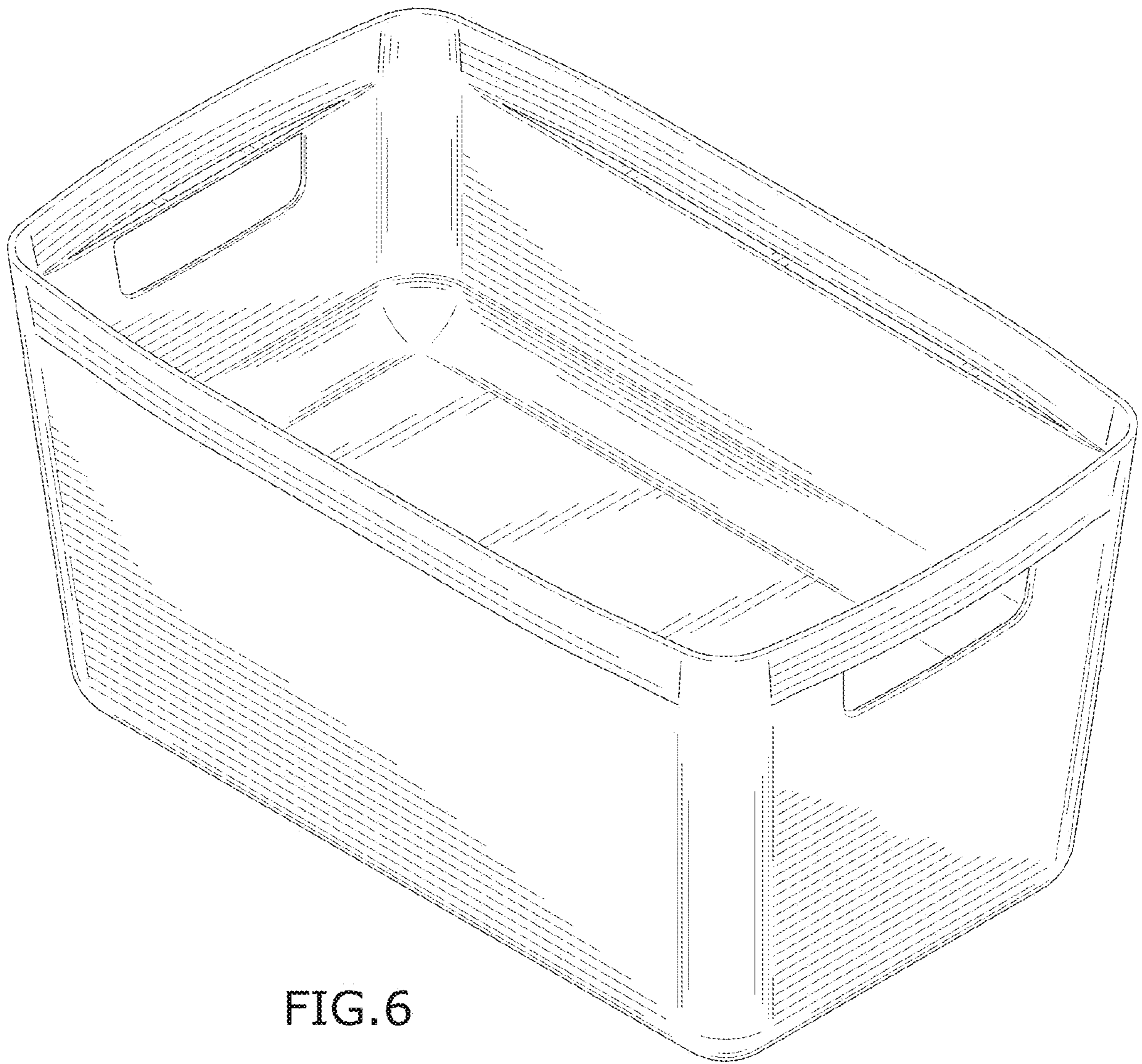


FIG. 6

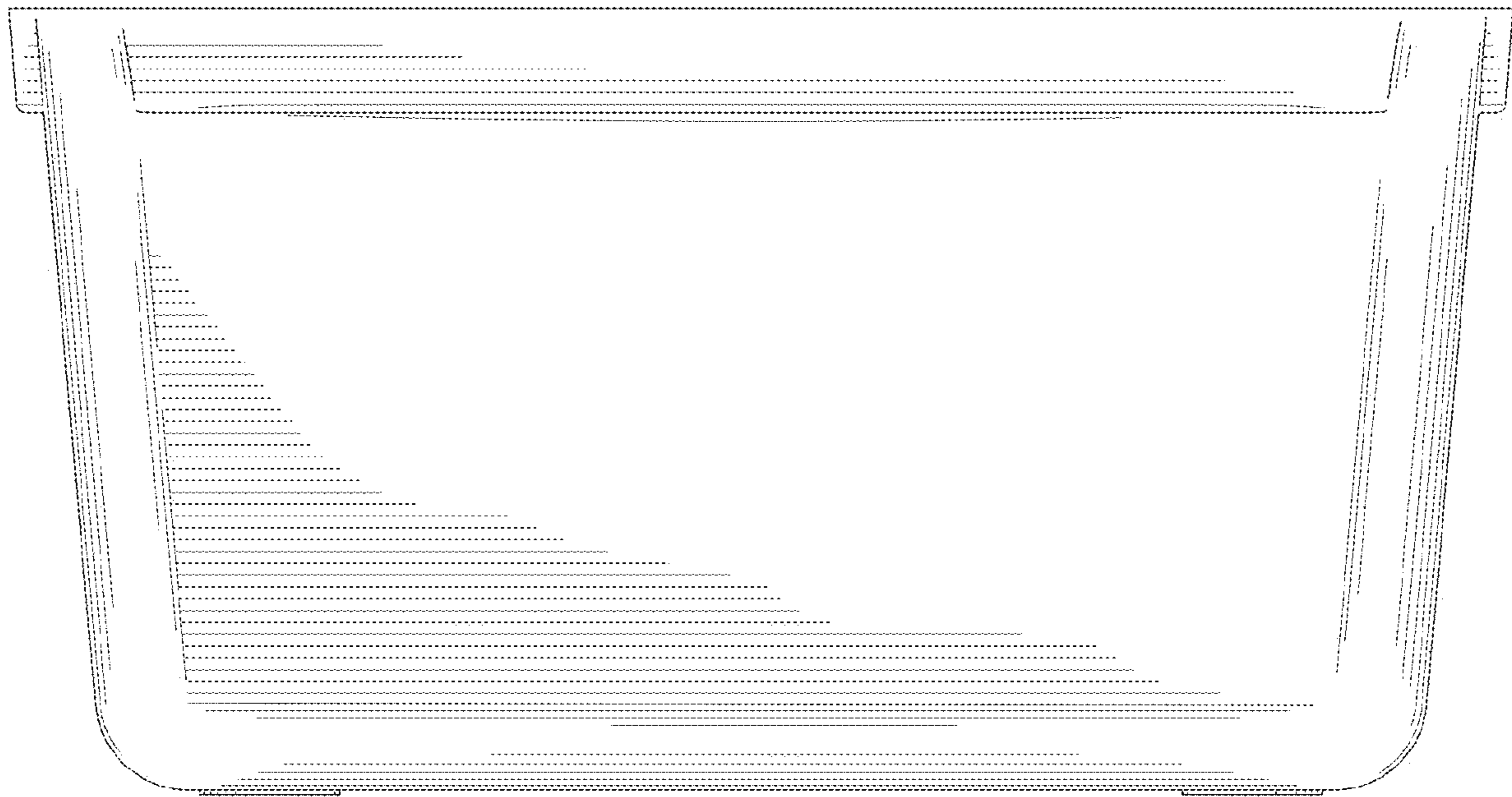


FIG. 7

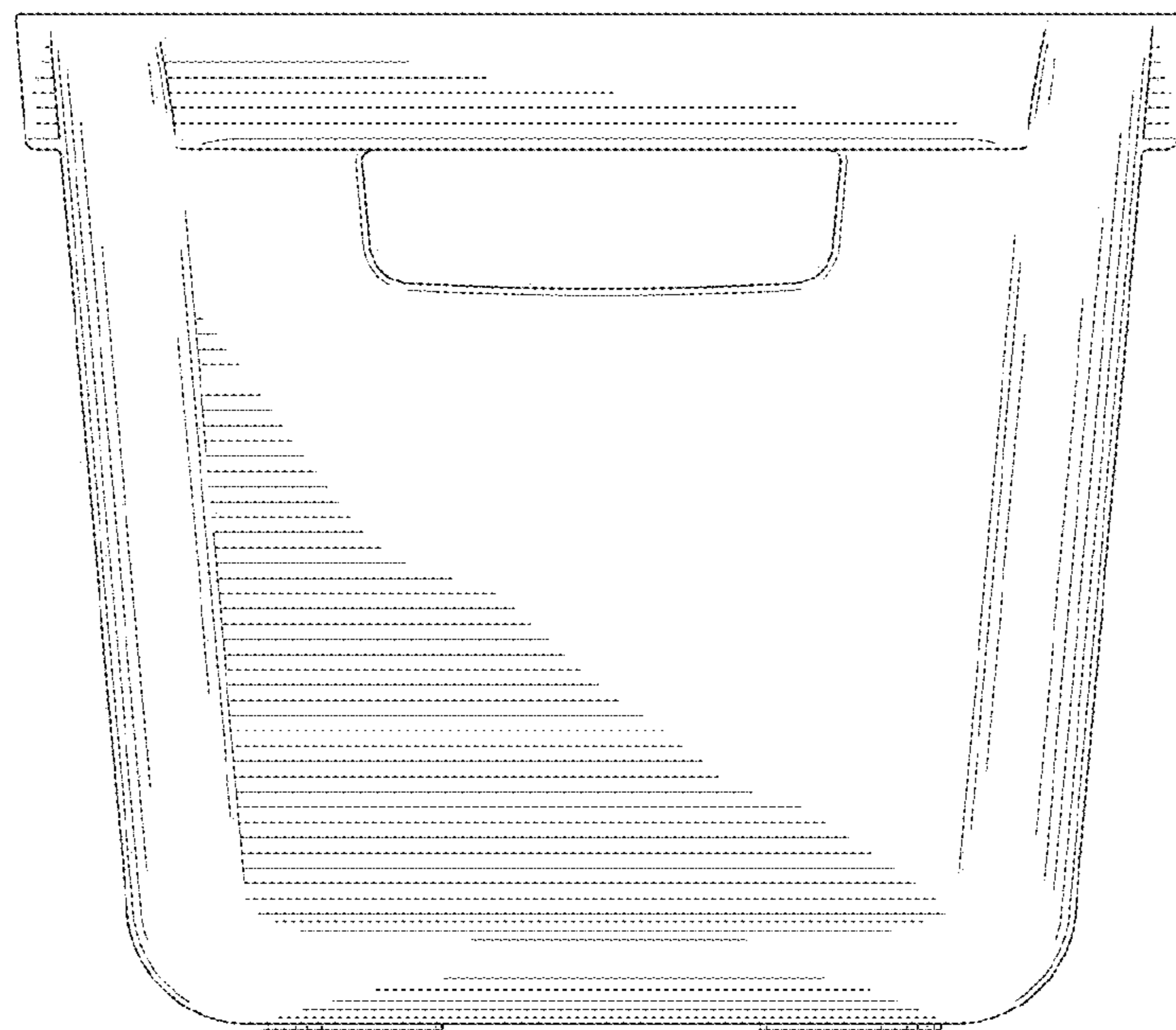


FIG. 8

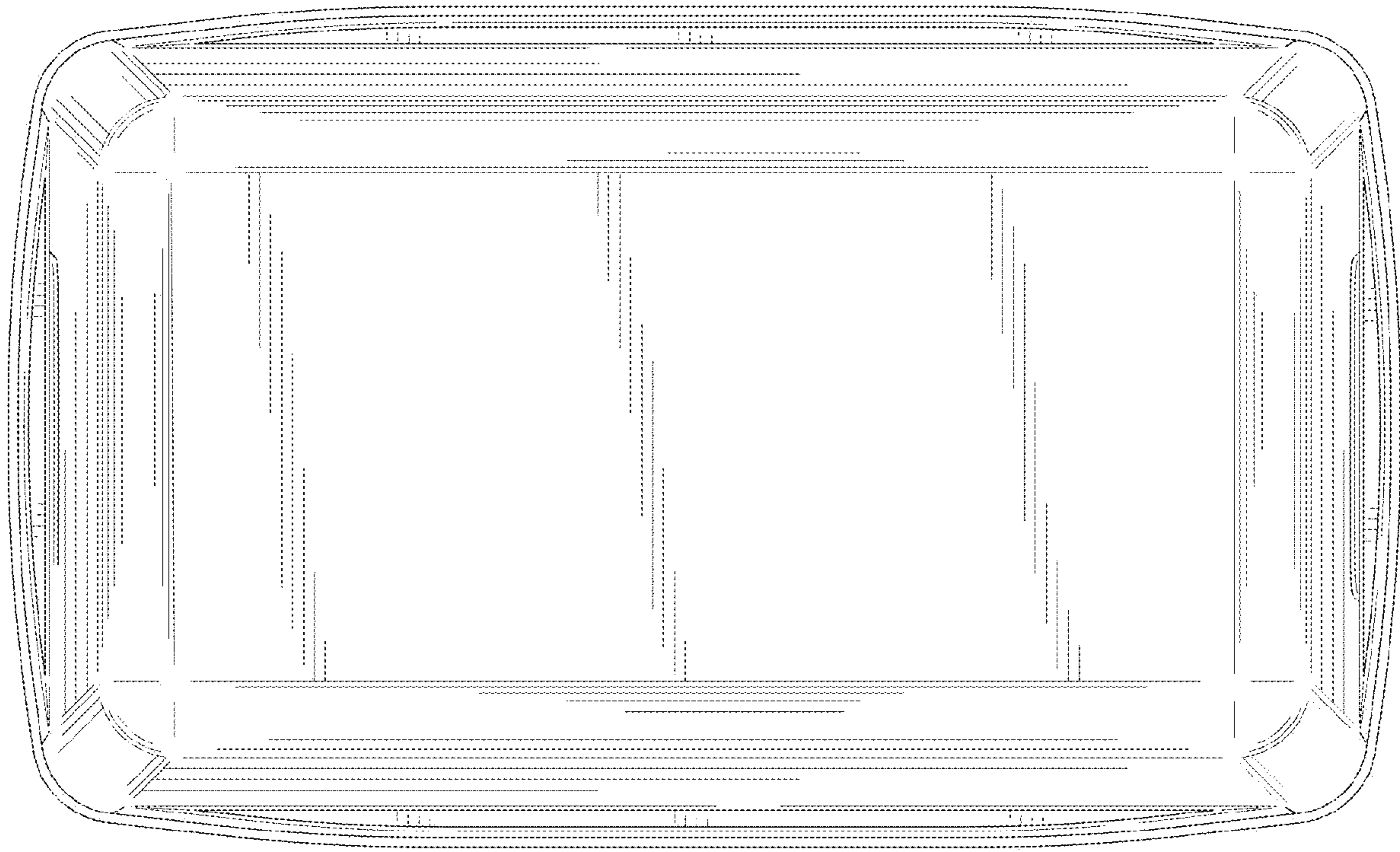


FIG. 9

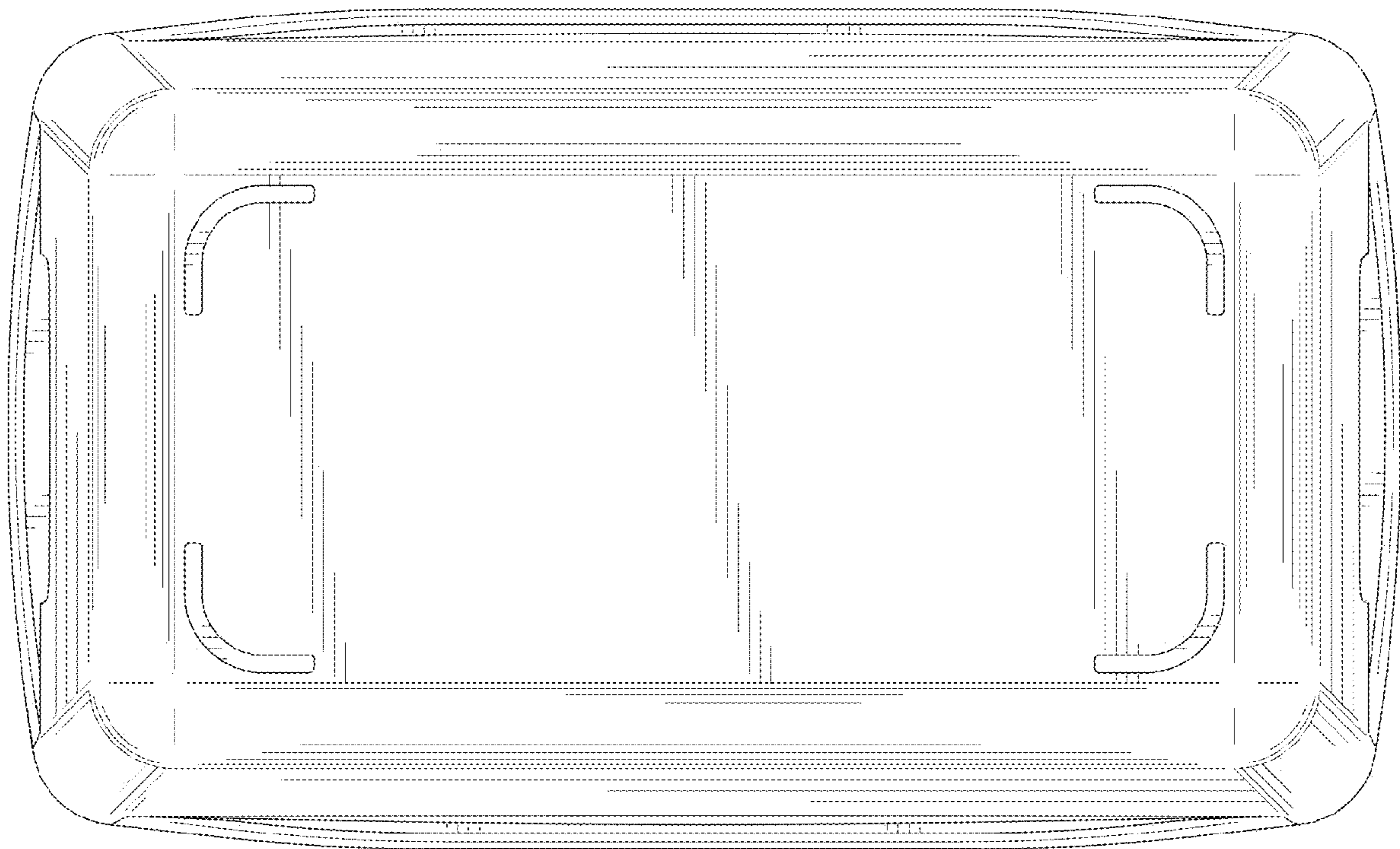


FIG. 10

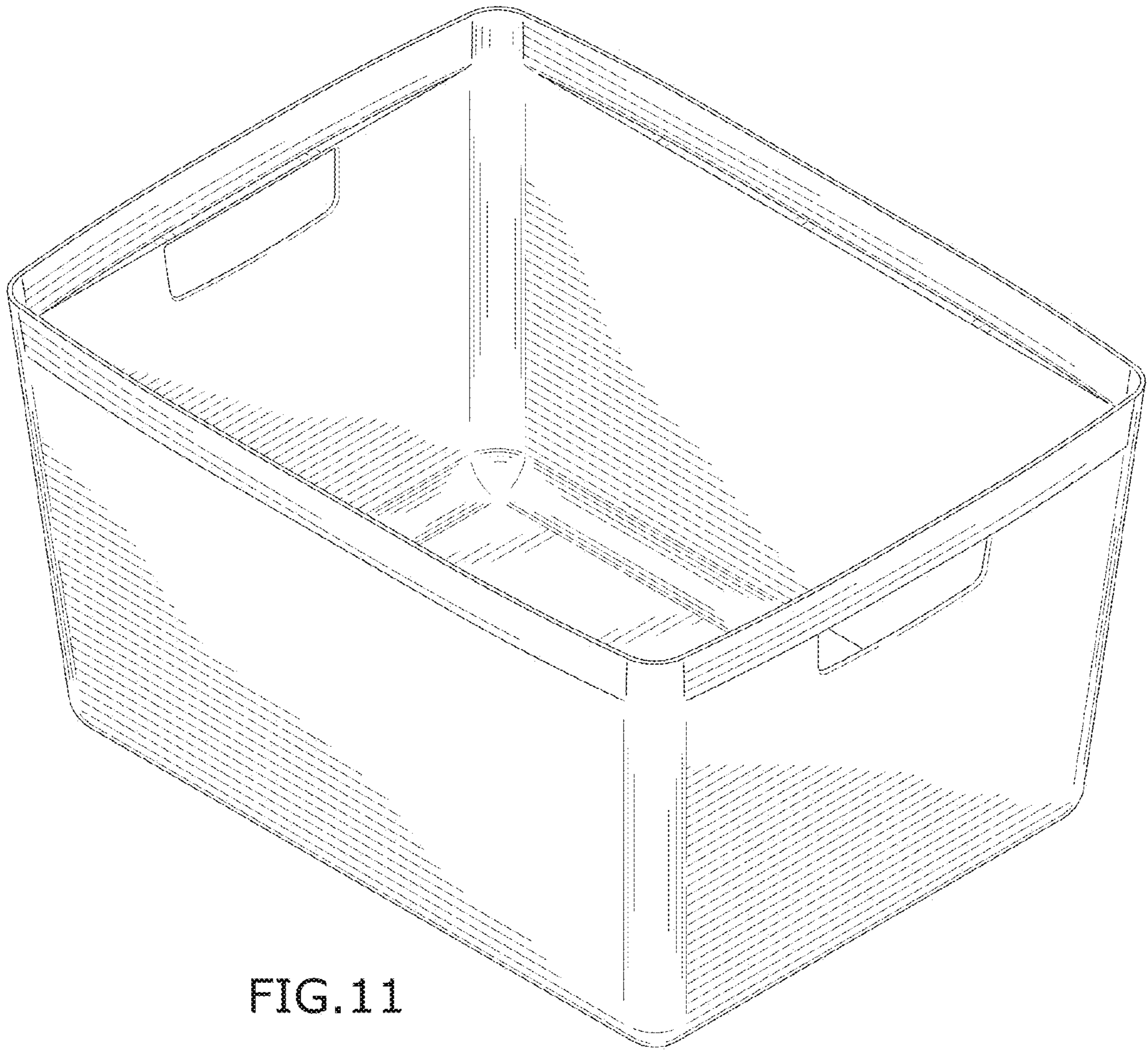


FIG.11

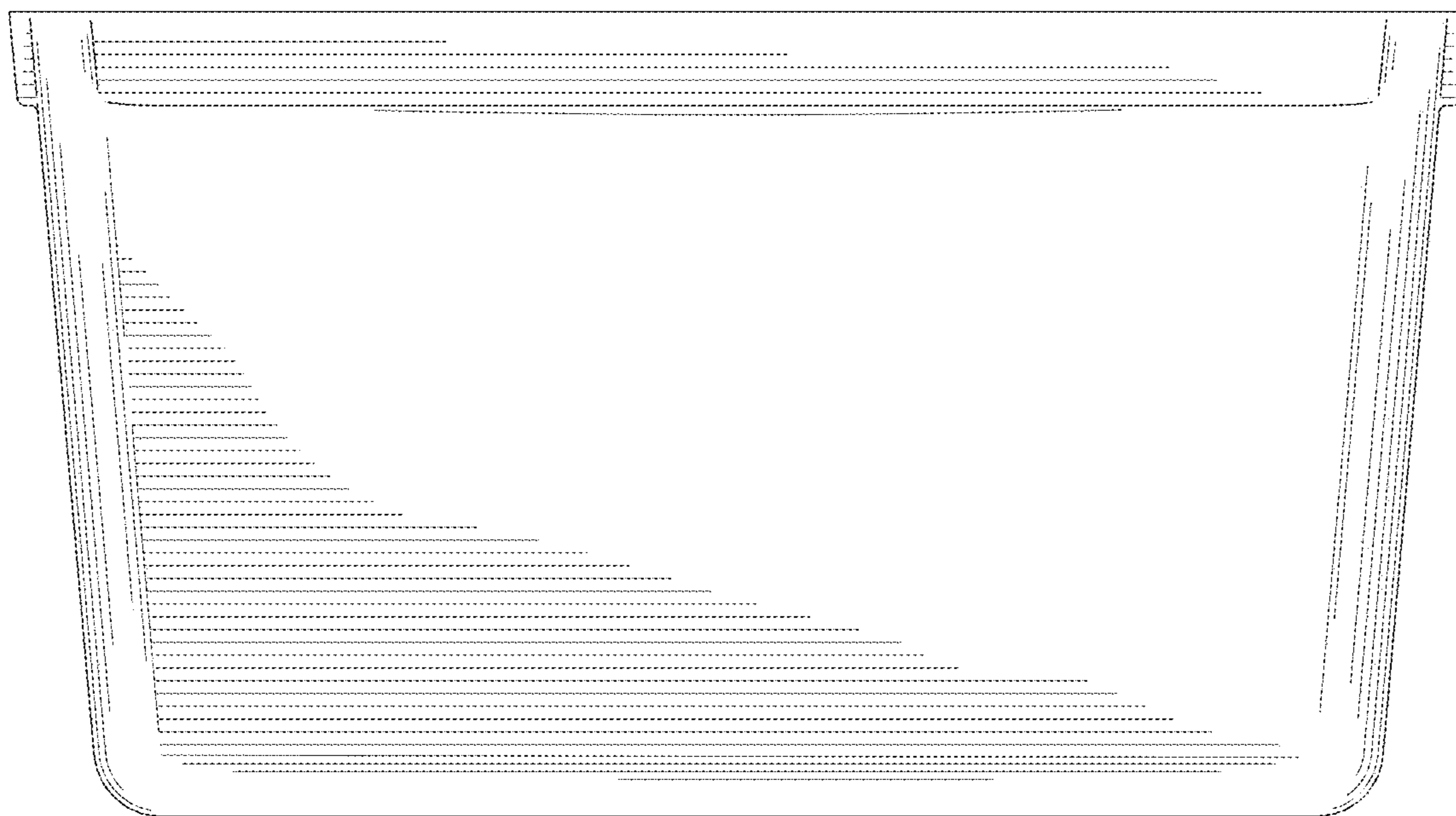


FIG. 12

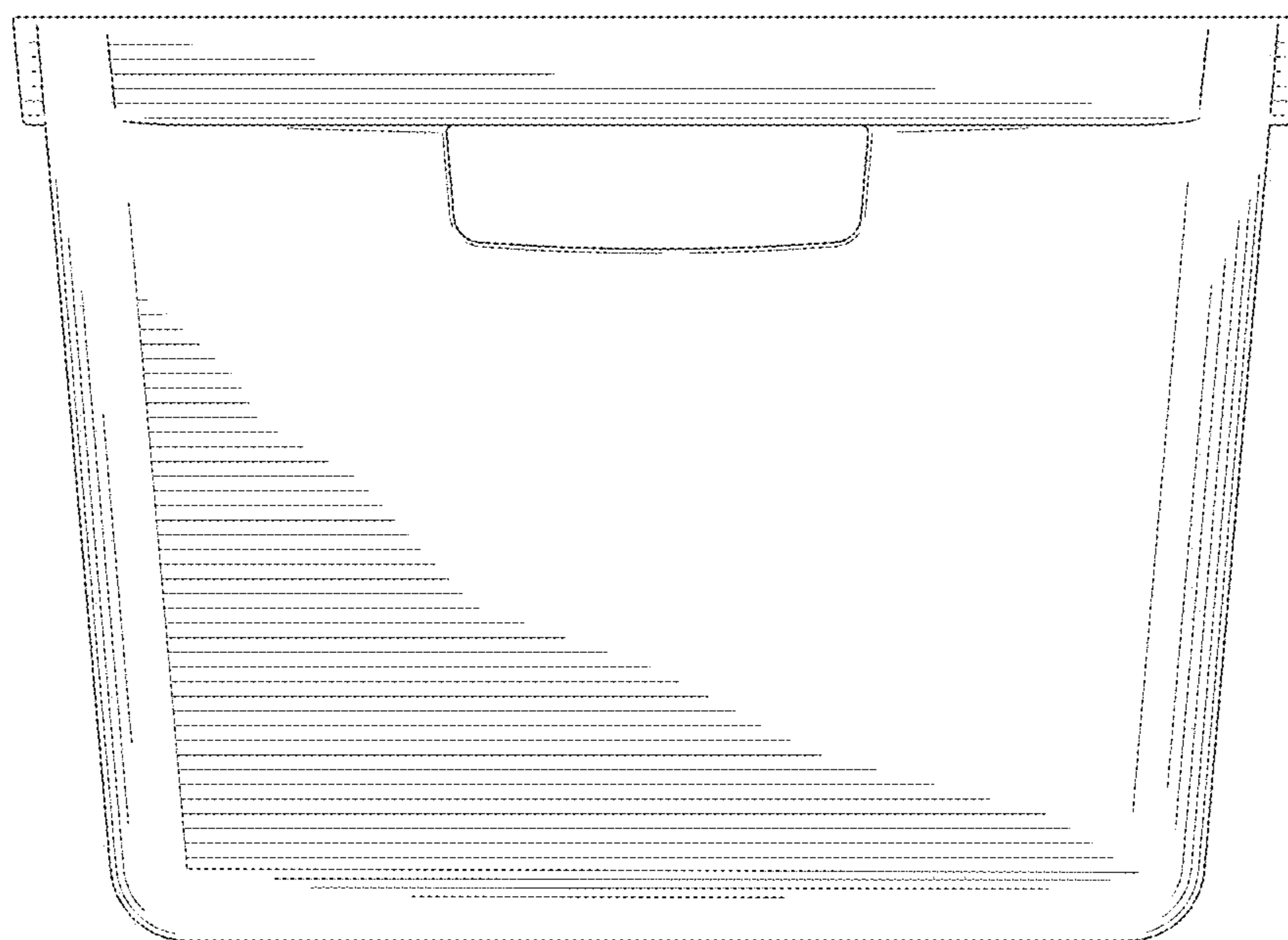


FIG. 13

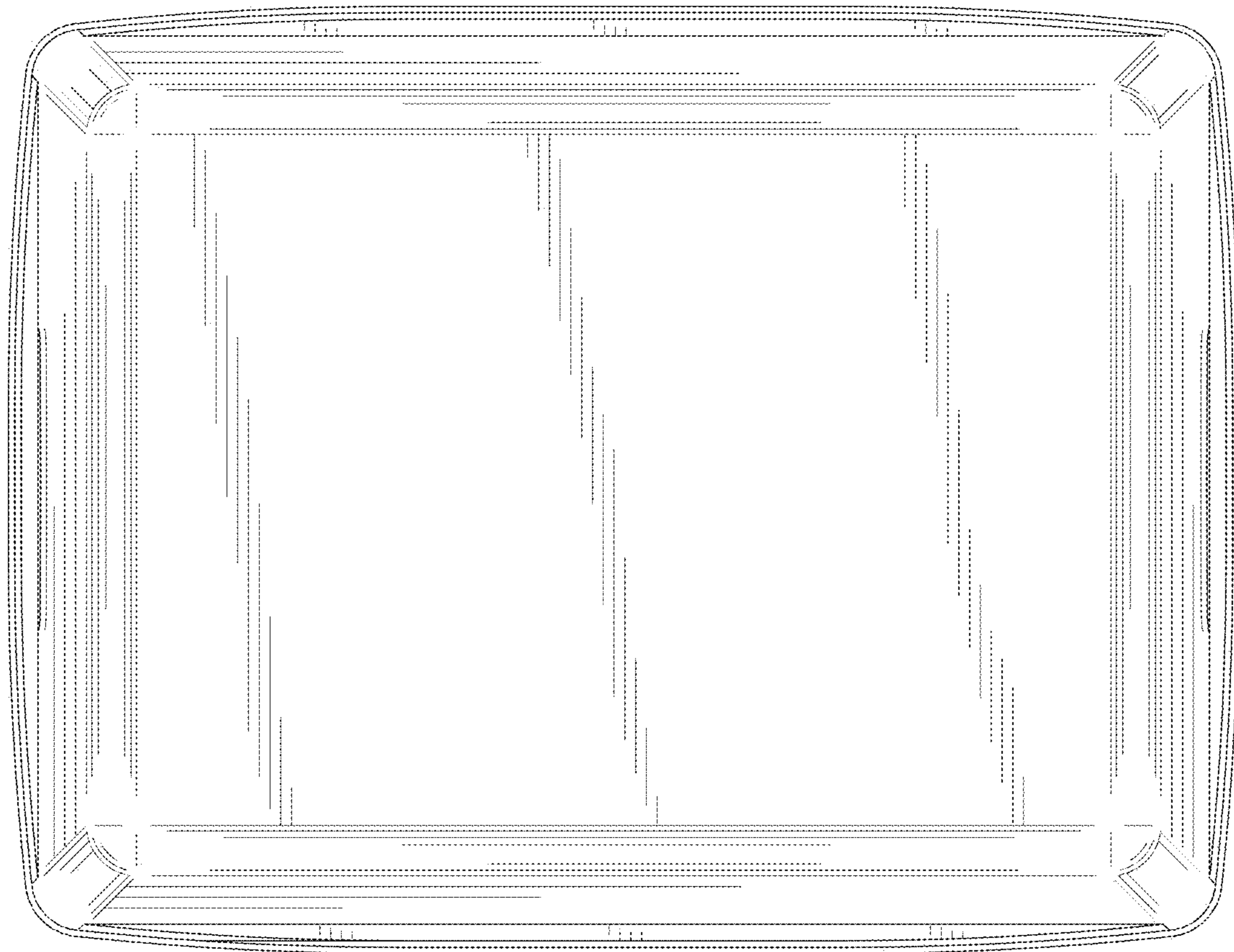


FIG. 14

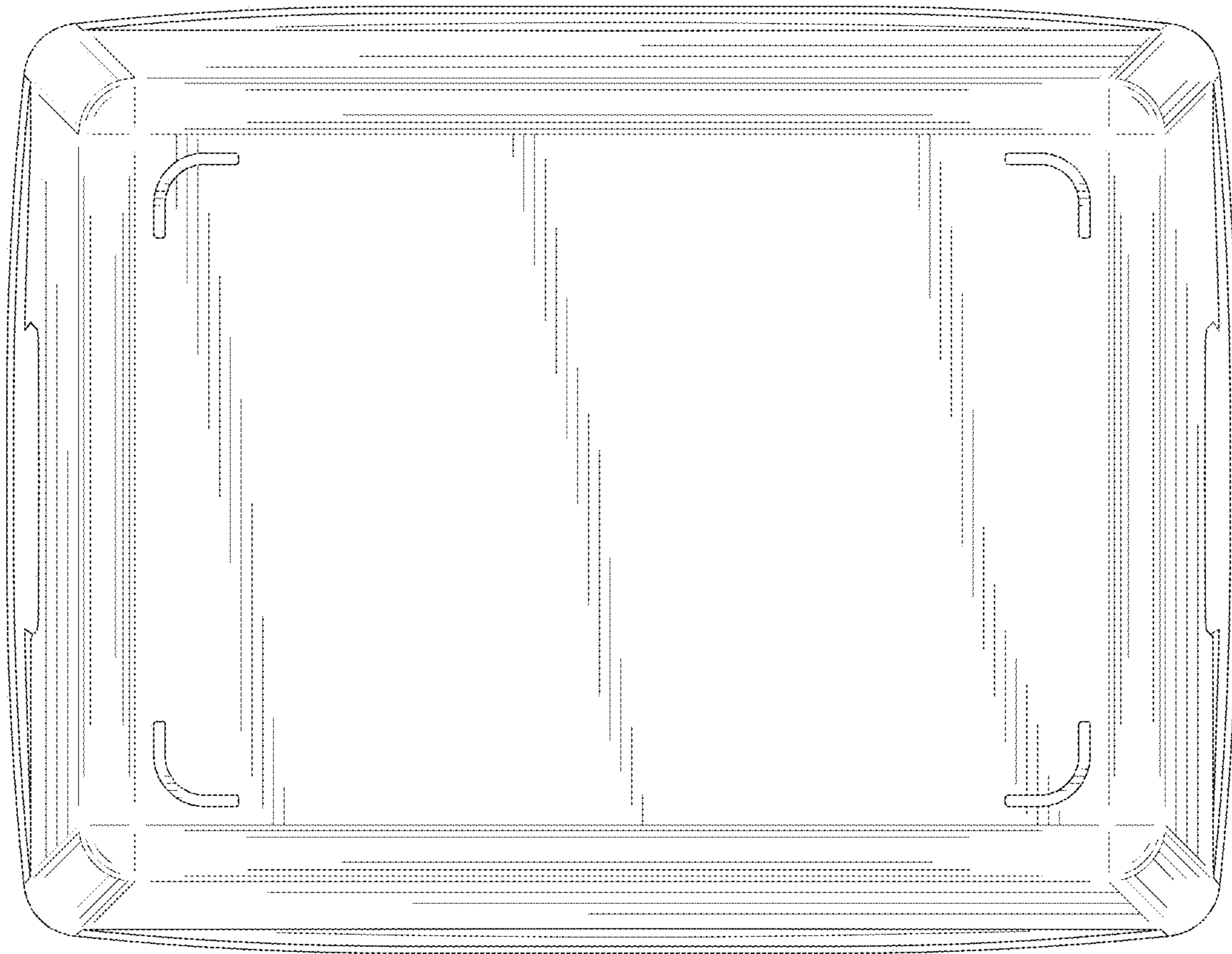


FIG.15