



US00D907363S

(12) **United States Design Patent** (10) **Patent No.:** **US D907,363 S**  
**Distefano** (45) **Date of Patent:** **\*\* Jan. 12, 2021**

(54) **ELECTRONICS CASE**  
(71) Applicant: **Harman International Industries, Incorporated**, Northridge, CA (US)  
(72) Inventor: **Dario Distefano**, Shenzhen (CN)  
(73) Assignee: **Harman International Industries, Incorporated**, Northridge, CA (US)

(\*\*) Term: **15 Years**

(21) Appl. No.: **29/688,606**

(22) Filed: **Apr. 23, 2019**

(51) **LOC (13) Cl.** ..... **03-01**

(52) **U.S. Cl.**  
USPC ..... **D3/294**

(58) **Field of Classification Search**  
USPC ..... D3/201, 203.1, 204, 205, 207–208, 212, D3/215, 218, 269, 273–274, 276, 283, D3/284, 294–300, 302, 303, 315, 901, D3/903; D9/414, 418, 420, 430, 432; D28/66, 73, 76, 78, 91; D14/188, 201, D14/204, 205, 209.1, 217, 250, 251, 440, D14/447  
CPC ... A45C 13/002; A45C 13/005; A45C 13/025; A45C 2011/001; A45C 2011/002; A45C 2011/003

See application file for complete search history.

(56) **References Cited**

**U.S. PATENT DOCUMENTS**

D467,799 S \* 12/2002 Persson ..... D9/420  
D546,055 S \* 7/2007 Sinvani ..... D3/203.1  
D584,700 S 1/2009 Urry et al.  
D614,048 S \* 4/2010 Smith ..... D3/203.1  
D672,642 S \* 12/2012 Supranowicz ..... D9/420  
D710,824 S 8/2014 Mackiewicz et al.  
D720,096 S \* 12/2014 McDougall ..... D28/66  
D766,214 S 9/2016 Mackiewicz et al.  
D806,388 S 1/2018 Akana et al.  
D808,791 S \* 1/2018 Johnston ..... D9/420  
D816,994 S 5/2018 Fischer et al.

D818,268 S 5/2018 Akana et al.  
D826,152 S \* 8/2018 Christiansen ..... D13/108  
D839,920 S 2/2019 Demin et al.  
D849,401 S 5/2019 Akana et al.  
D868,453 S \* 12/2019 Lee ..... D3/201  
D868,465 S \* 12/2019 Lee ..... D3/269  
D874,142 S \* 2/2020 Anderson ..... D3/294

(Continued)

**OTHER PUBLICATIONS**

JBL Tune 220TWS, posted at jbl.com, no posting date, retrieved Jun. 20, 2020, online, URL: [https://www.jbl.com/wireless-headphones/JBLT220TWSBLUAM.html?ged=off&mrkgadid=1&mrkgen=gpla&mrkgbflag=1&mrkgcat=brand&utm\\_campaign=Con%7CGSC%7CBrand&utm\\_medium=cpc&utm\\_source=Google&utm\\_term=con\\_brand\\_pla\\_headphones](https://www.jbl.com/wireless-headphones/JBLT220TWSBLUAM.html?ged=off&mrkgadid=1&mrkgen=gpla&mrkgbflag=1&mrkgcat=brand&utm_campaign=Con%7CGSC%7CBrand&utm_medium=cpc&utm_source=Google&utm_term=con_brand_pla_headphones) (Year: 2020).\*

(Continued)

*Primary Examiner* — Lilyana Bekic  
*Assistant Examiner* — Mary Shannon Malley  
(74) *Attorney, Agent, or Firm* — Plumsea Law Group, LLC

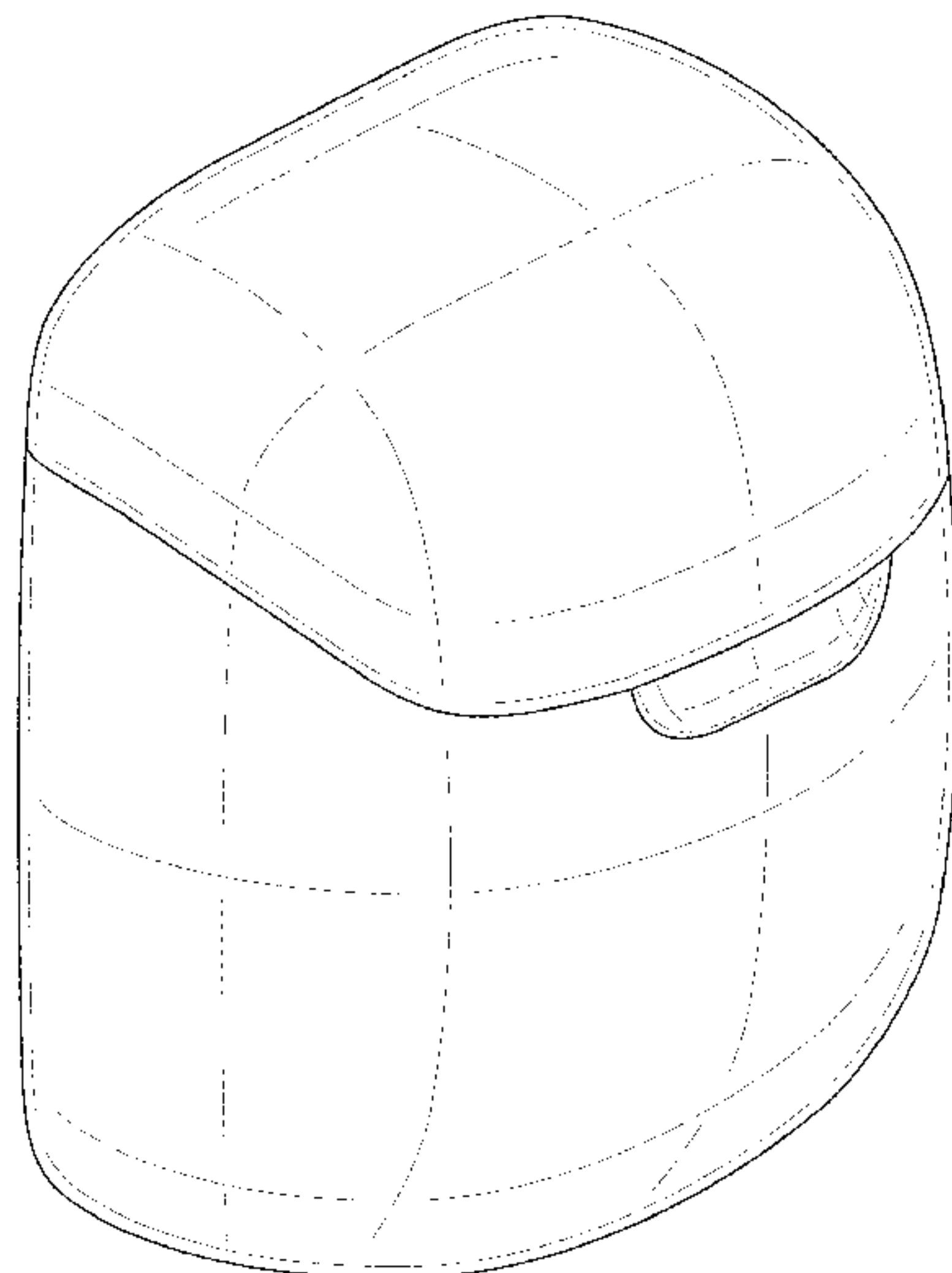
(57) **CLAIM**

The ornamental design for an electronics case, as shown and described.

**DESCRIPTION**

FIG. 1 is a perspective view of an electronics case showing the new design;  
FIG. 2 is a front elevational view thereof;  
FIG. 3 is a rear elevational view thereof;  
FIG. 4 is a side elevational view thereof;  
FIG. 5 is an opposite side elevational view thereof;  
FIG. 6 is a top view thereof;  
FIG. 7 is a bottom view thereof; and,  
FIG. 8 is a perspective view thereof, shown in an open configuration.  
The broken lines depict portions of the electronics case that form no part of the claimed design.

**1 Claim, 8 Drawing Sheets**



(56)

**References Cited**

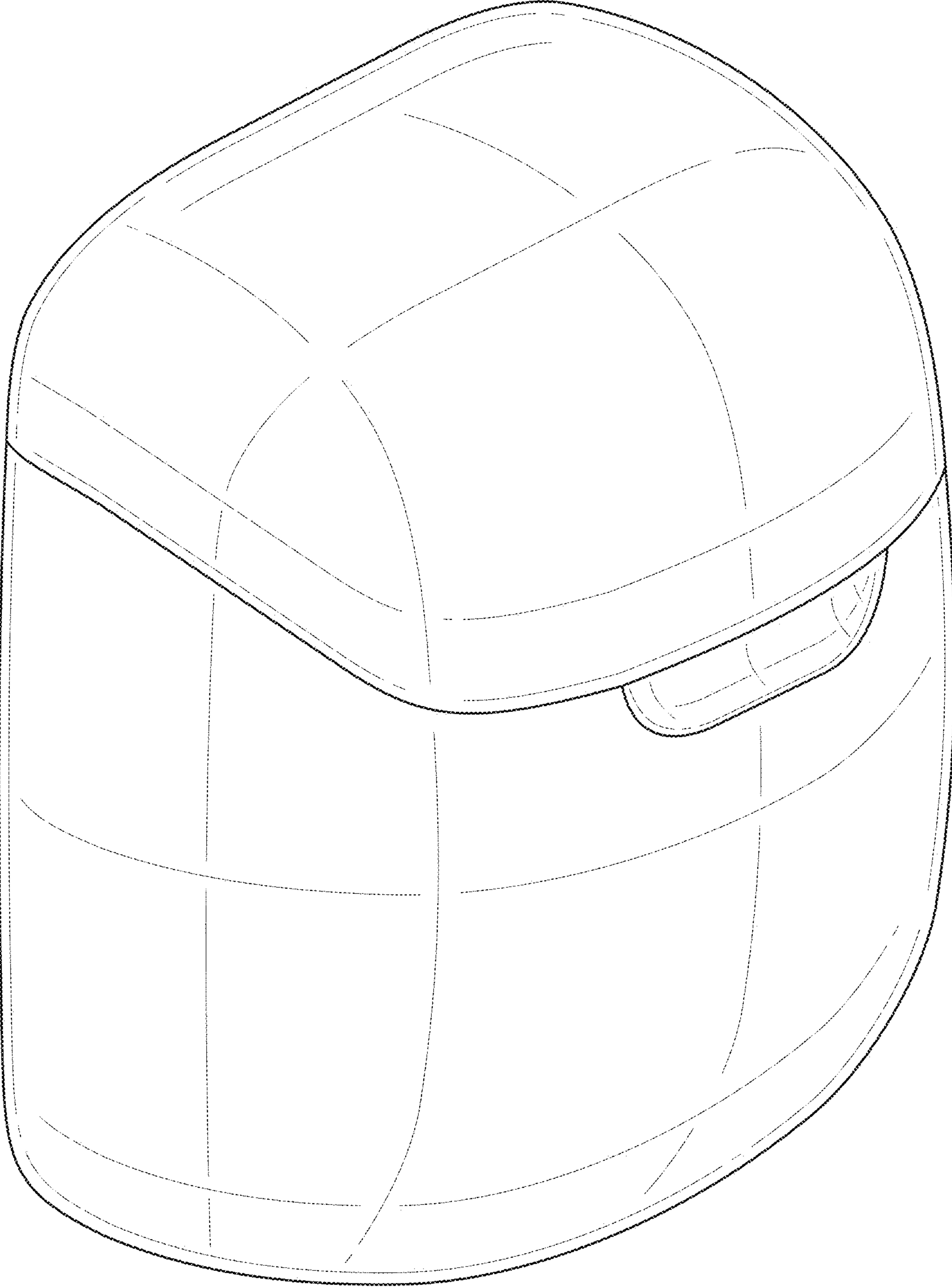
U.S. PATENT DOCUMENTS

D879,473 S \* 3/2020 Lee ..... D3/318  
D883,296 S \* 5/2020 Lee ..... D14/440  
2018/0064224 A1\* 3/2018 Brzezinski ..... H04R 1/1025

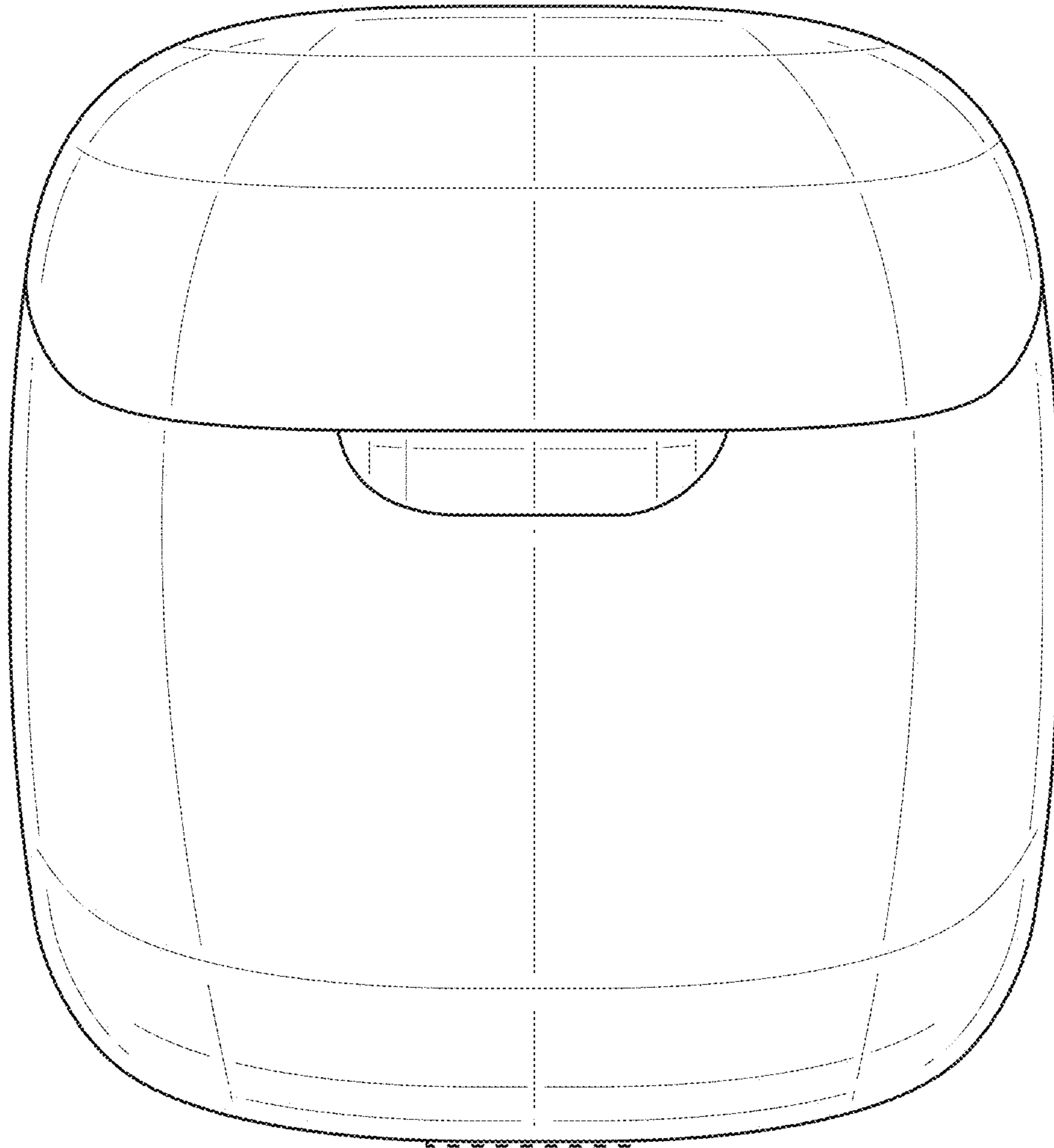
OTHER PUBLICATIONS

Design U.S. Appl. No. 29/641,044, filed Mar. 19, 2018.  
Design U.S. Appl. No. 29/674,907, filed Dec. 27, 2018.  
Design U.S. Appl. No. 29/695,337, filed Jun. 18, 2019.

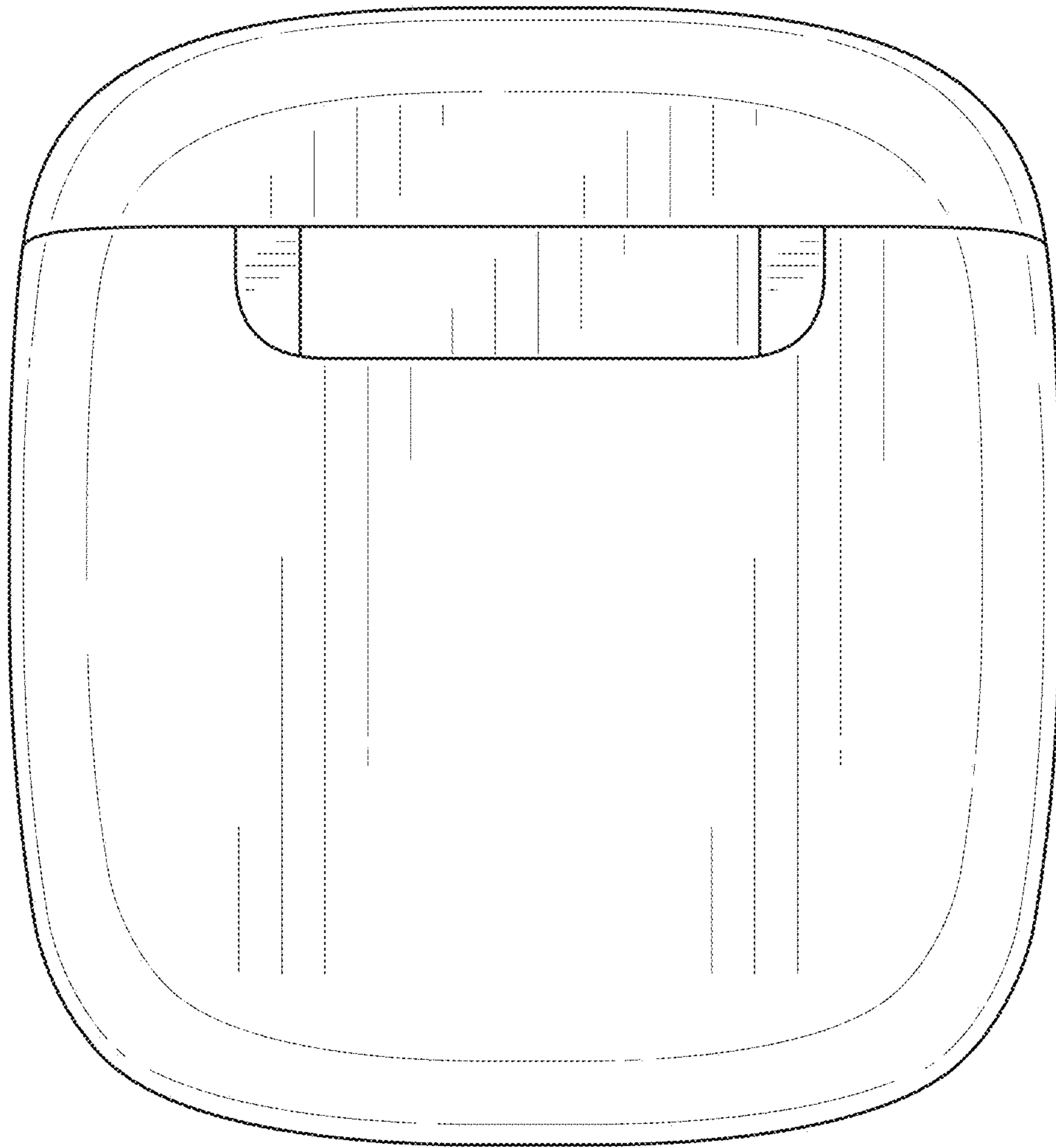
\* cited by examiner



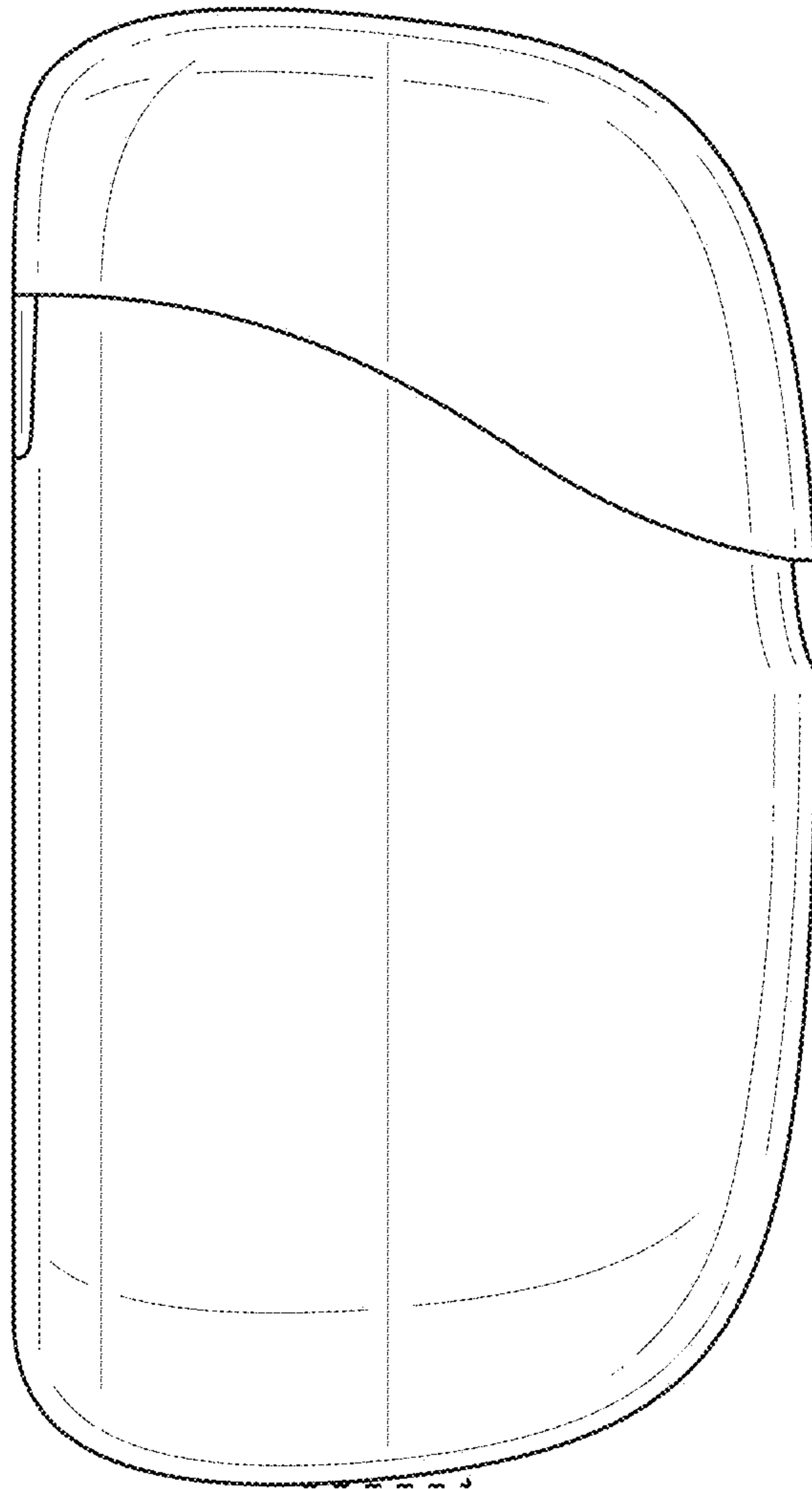
**FIG. 1**



**FIG. 2**

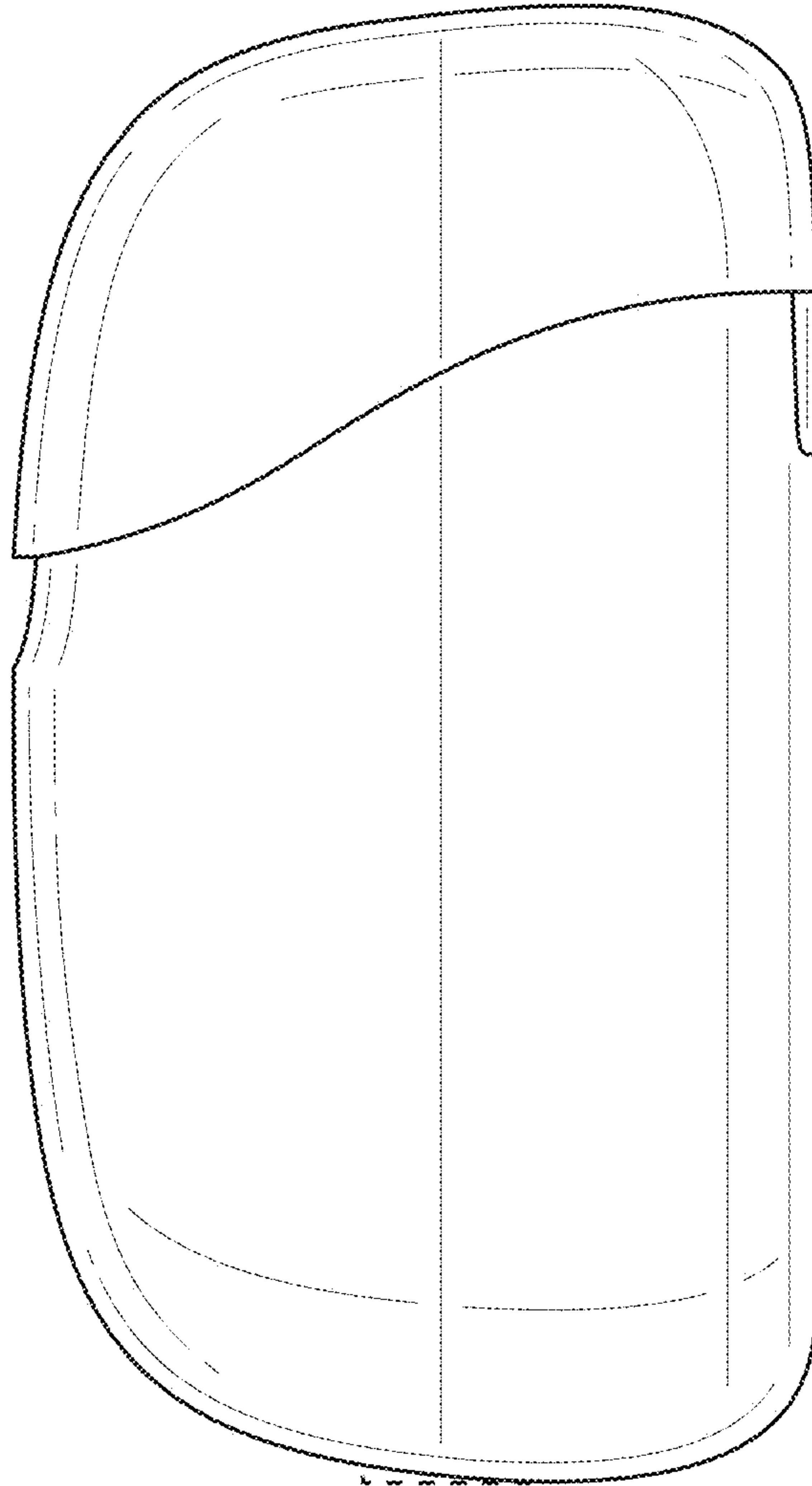


**FIG. 3**

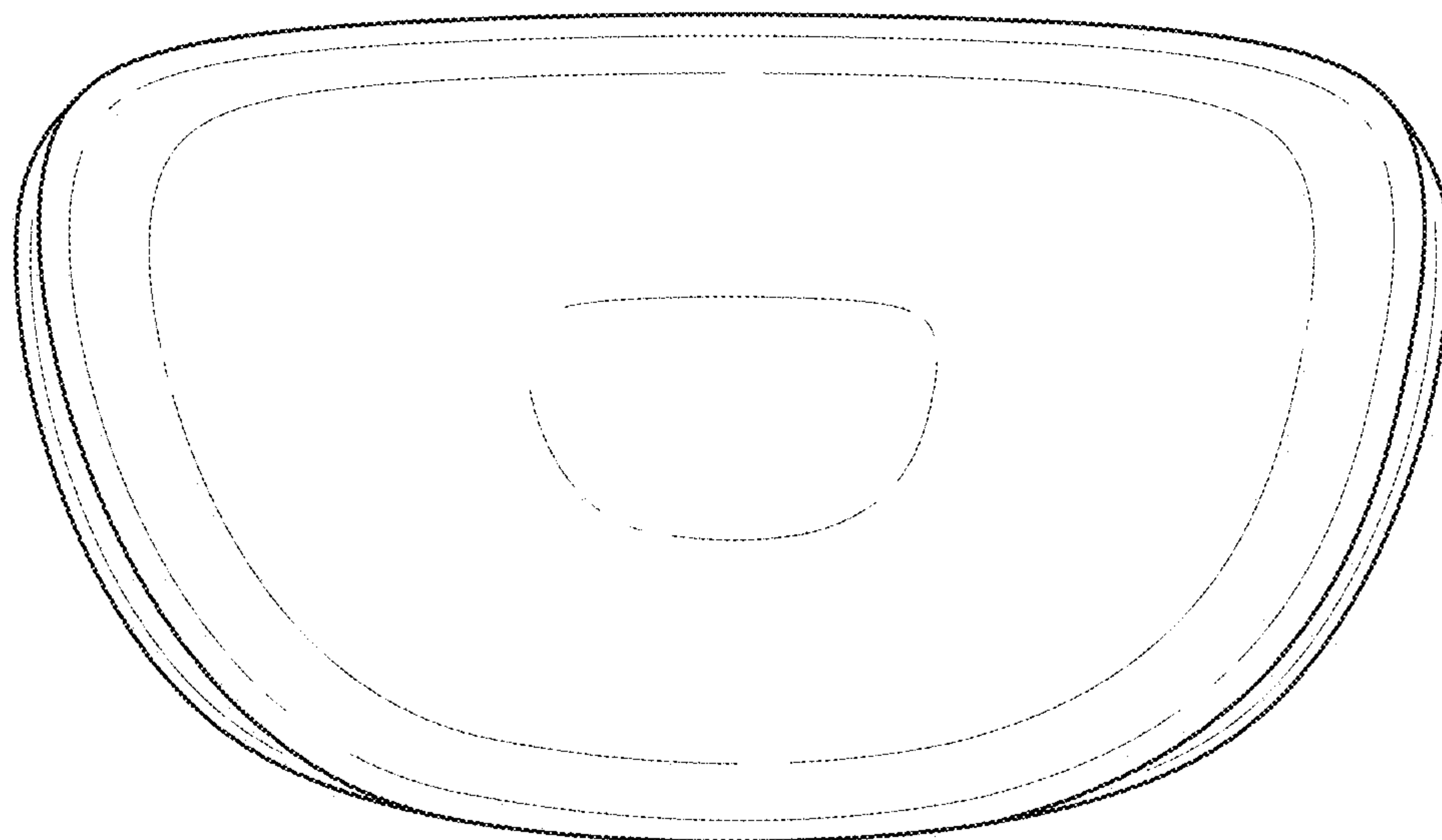


**FIG. 4**



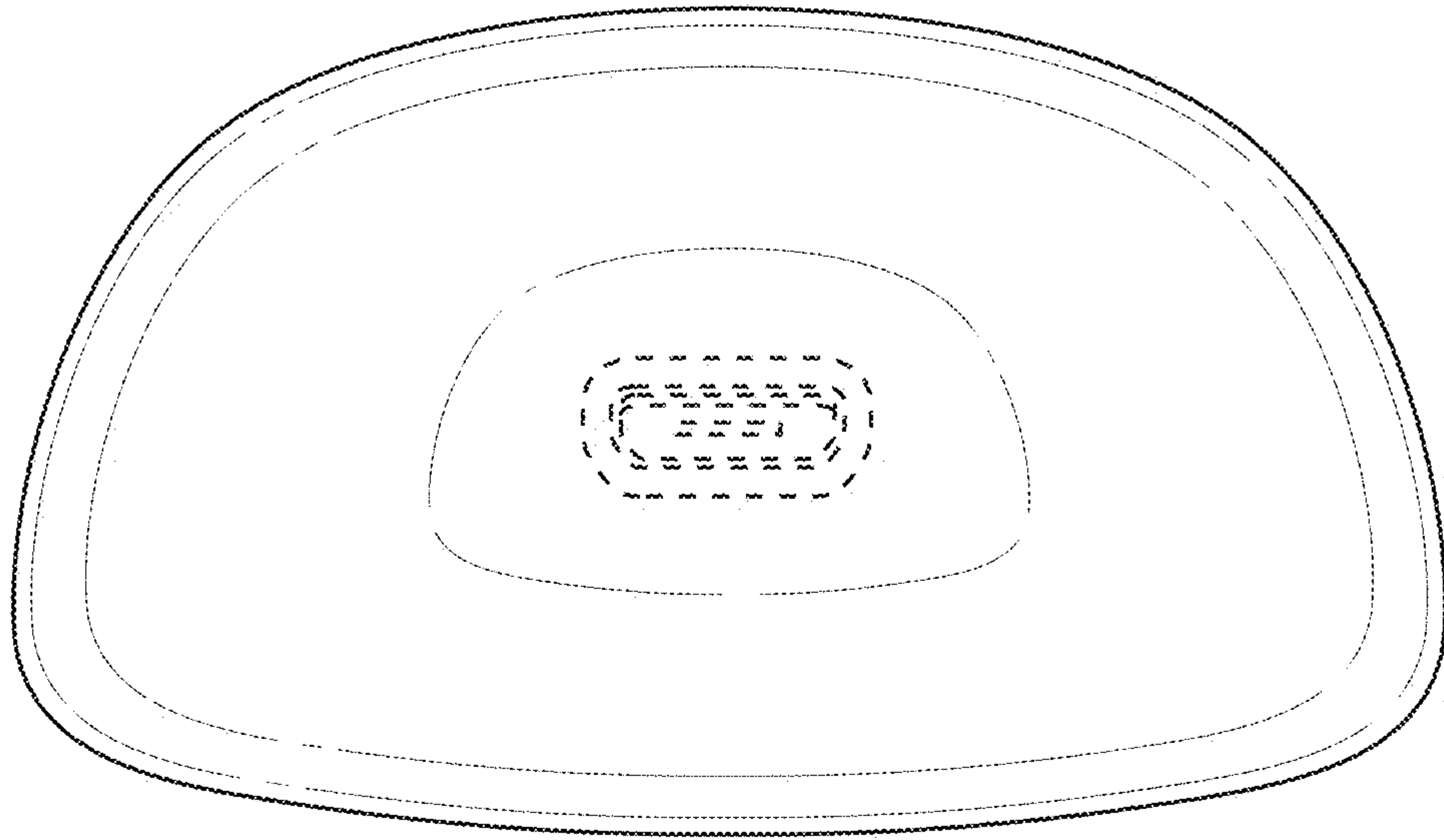


**FIG. 5**

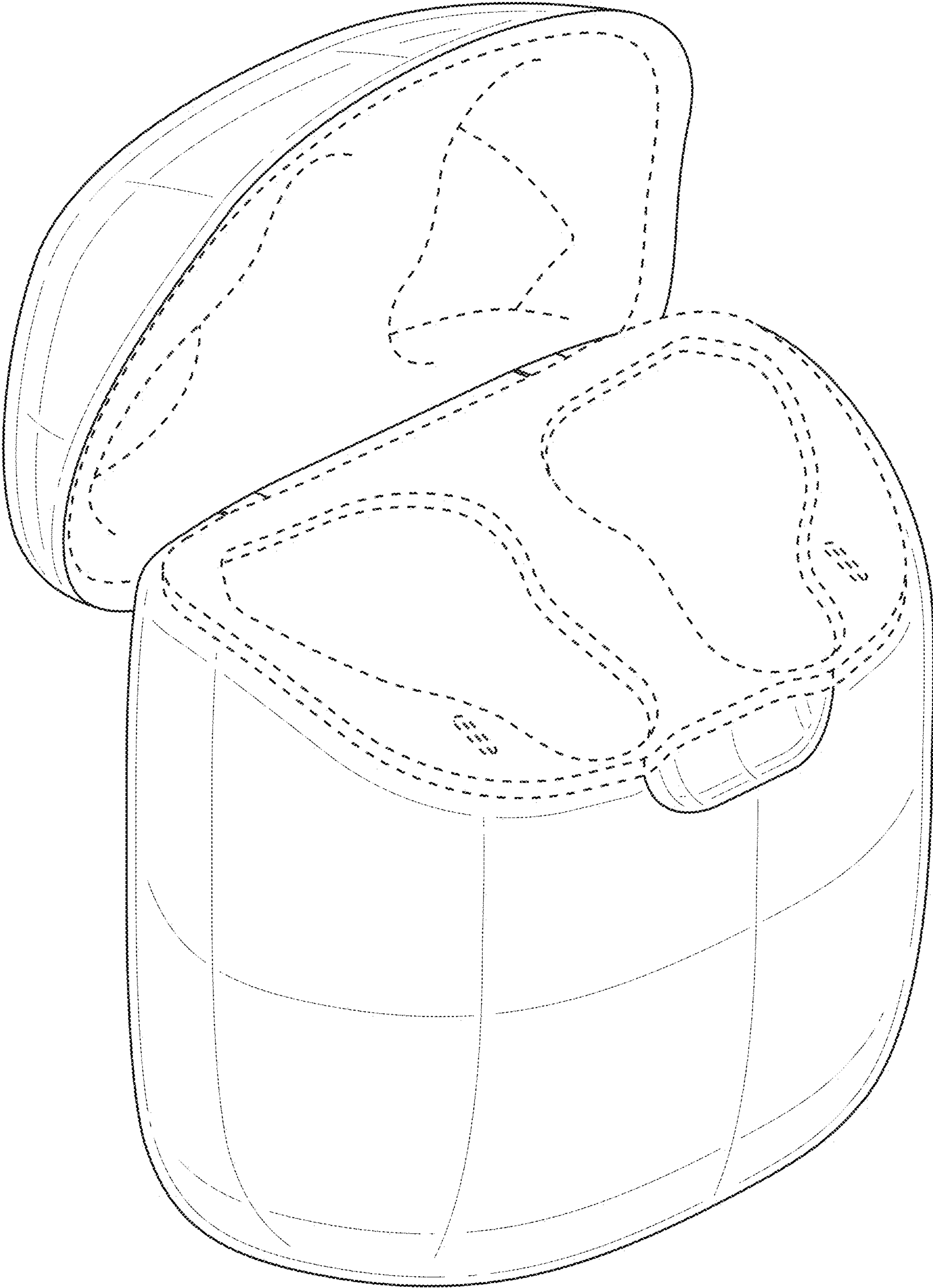


**FIG. 6**





**FIG. 7**



**FIG. 8**