



US00D907361S

(12) **United States Design Patent** (10) **Patent No.:** **US D907,361 S**
Sakai (45) **Date of Patent:** **** Jan. 12, 2021**

- (54) **CONTAINER**
- (71) Applicant: **EPOCH COMPANY, LTD**, Tokyo (JP)
- (72) Inventor: **Ryo Sakai**, Tokyo (JP)
- (73) Assignee: **EPOCH COMPANY, LTD**, Tokyo (JP)
- (**) Term: **15 Years**
- (21) Appl. No.: **29/671,866**
- (22) Filed: **Nov. 30, 2018**
- (51) **LOC (13) Cl.** **03-01**
- (52) **U.S. Cl.**
USPC **D3/272; D7/541**
- (58) **Field of Classification Search**
USPC D3/273, 201, 203.2, 374, 284, 285, 291,
D3/289, 302, 276, 294, 295, 298, 318,
D3/901, 902, 903, 270; D7/566, 632,
D7/541
CPC A45C 5/00; A45C 2011/001; A45C 11/00;
H04R 1/1025; H04R 1/1033
See application file for complete search history.

(56) **References Cited**

U.S. PATENT DOCUMENTS

D276,116 S *	10/1984	Basil	D7/541
D393,543 S *	4/1998	Wilkening	D3/313
D561,470 S *	2/2008	Jalet	D3/294
D592,013 S *	5/2009	Bizzell	D7/553.4
D592,014 S *	5/2009	Bizzell	D7/553.4
D620,318 S *	7/2010	Bizzell	D7/541
D731,783 S *	6/2015	Upchurch	B65D 77/22 D3/203.2
D806,395 S *	1/2018	Jacob	D3/321
D806,396 S *	1/2018	Jacob	D3/321
D830,131 S *	10/2018	Kim	D7/602
D832,572 S *	11/2018	Bae	D3/201

D879,461 S *	3/2020	Burts	D3/203.1
D880,956 S *	4/2020	Tan	D7/629
D883,669 S *	5/2020	Sakai	D3/294
D884,798 S *	5/2020	Hsu	D21/342
D886,202 S *	6/2020	Hsu	D21/342
D891,081 S *	7/2020	Fruits	D3/201
D892,564 S *	8/2020	Xu	D7/602
D894,587 S *	9/2020	Sun	D3/201
D895,836 S *	9/2020	Ohmura	D24/226

* cited by examiner

Primary Examiner — Cynthia R Underwood

(74) *Attorney, Agent, or Firm* — Fitzgerald IP Law; John K Fitzgerald, Esq.

(57) **CLAIM**

The ornamental design for a container, as shown and described.

DESCRIPTION

FIG. 1 is a front perspective view of a front, top plan and right side of a container showing my new design;
 FIG. 2 is a rear perspective view of the rear, bottom and left side thereof;
 FIG. 3 is a front view thereof;
 FIG. 4 is a rear view thereof;
 FIG. 5 is a top plan view thereof;
 FIG. 6 is a bottom view thereof;
 FIG. 7 is a left side view thereof;
 FIG. 8 is a right side view thereof;
 FIG. 9 is a reference exploded perspective view thereof; and,
 FIG. 10 is a reference perspective view thereof where a fusible toy beads creating apparatus is mounted thereon.
 The broken lines shown are included for the purpose of illustrating portions of the article which form no part of the claimed design.

1 Claim, 10 Drawing Sheets

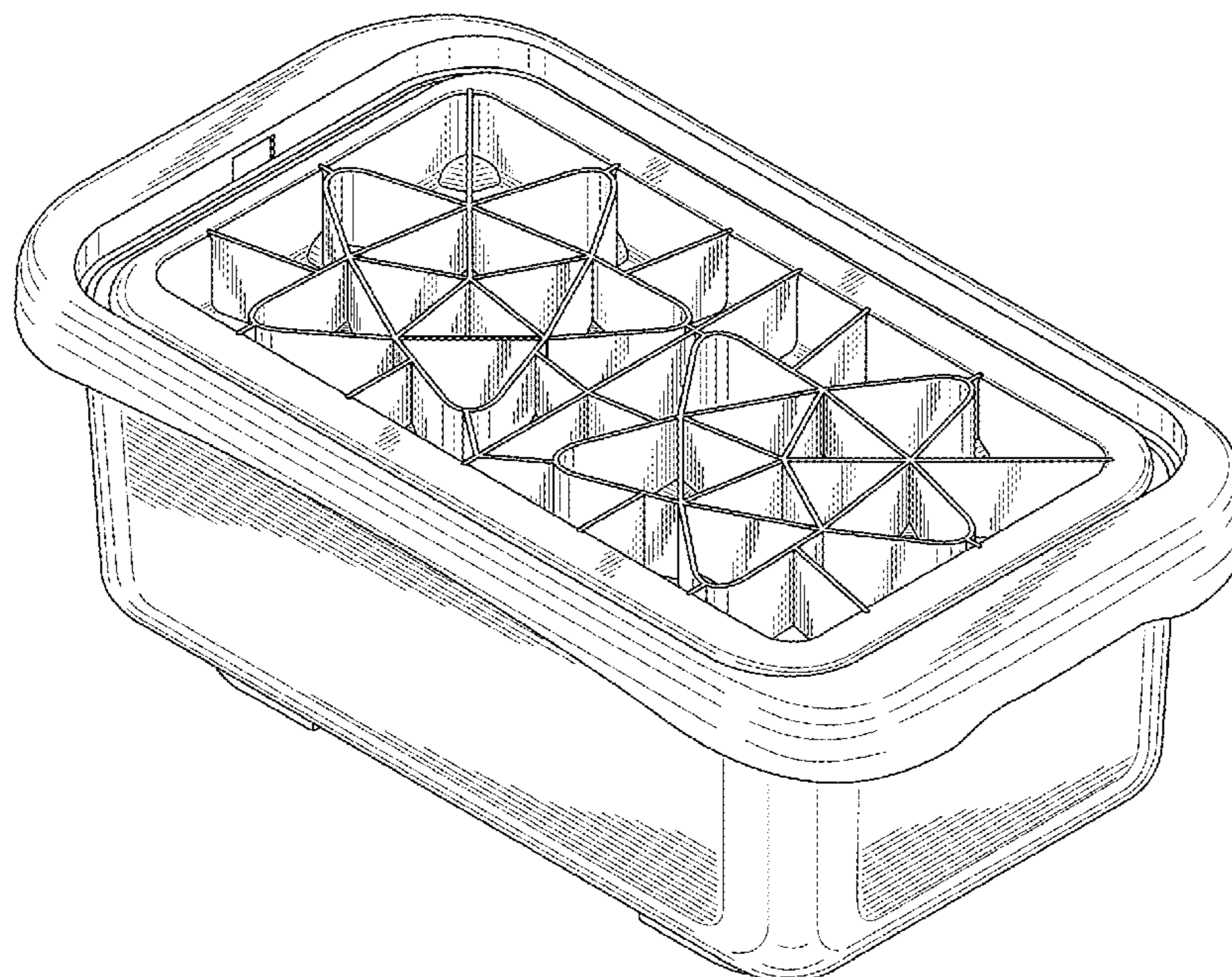


FIG. 1

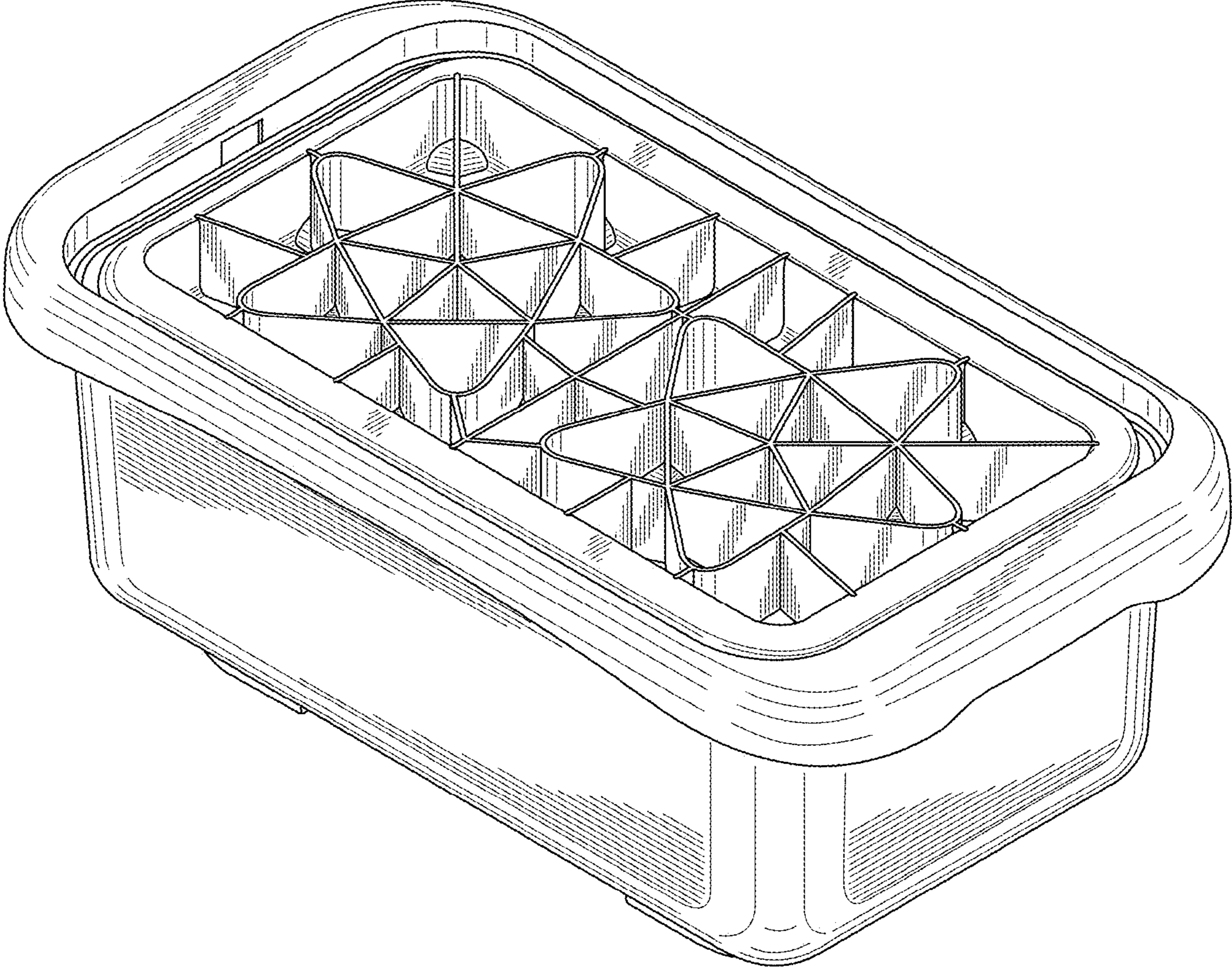


FIG. 2

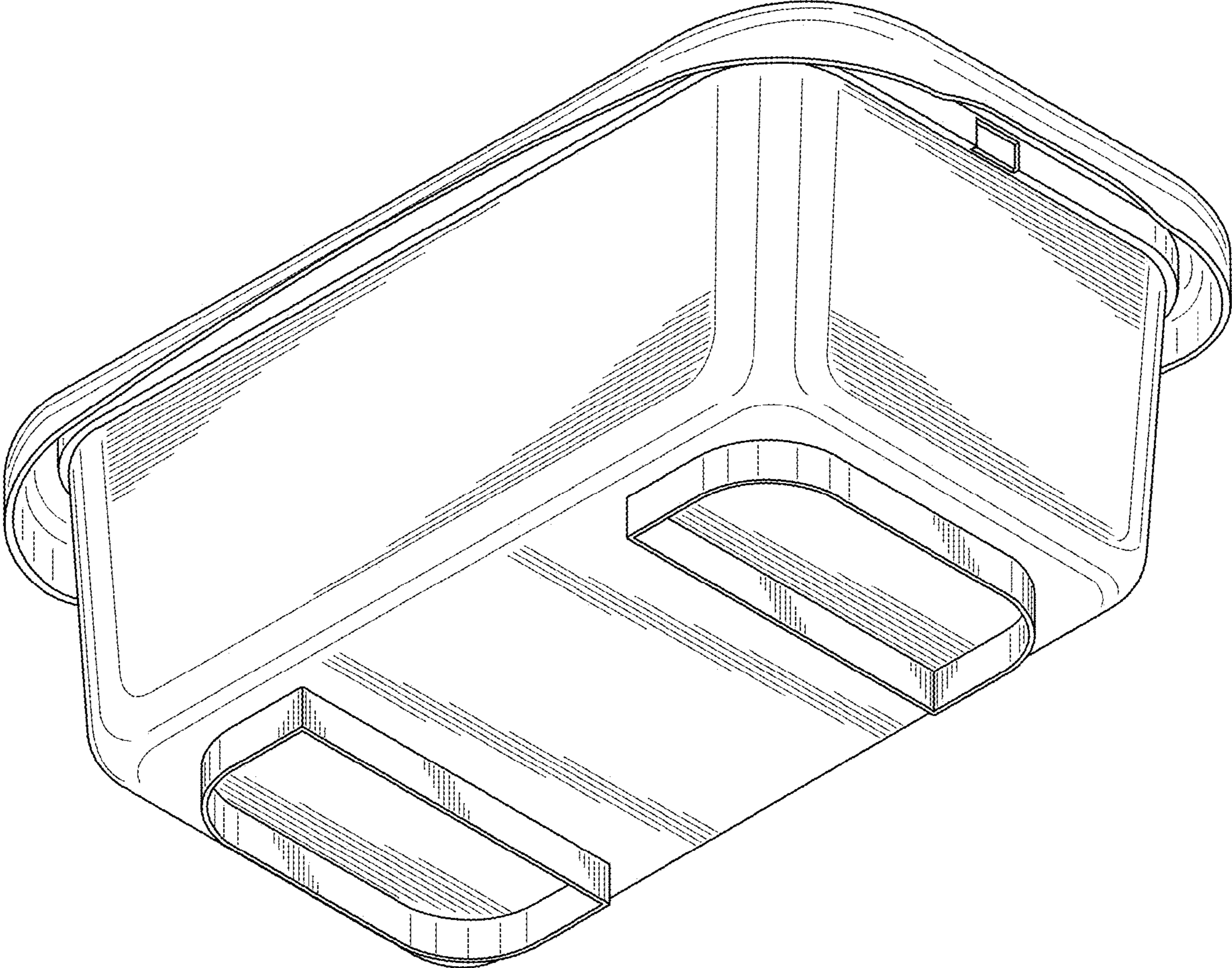


FIG. 3

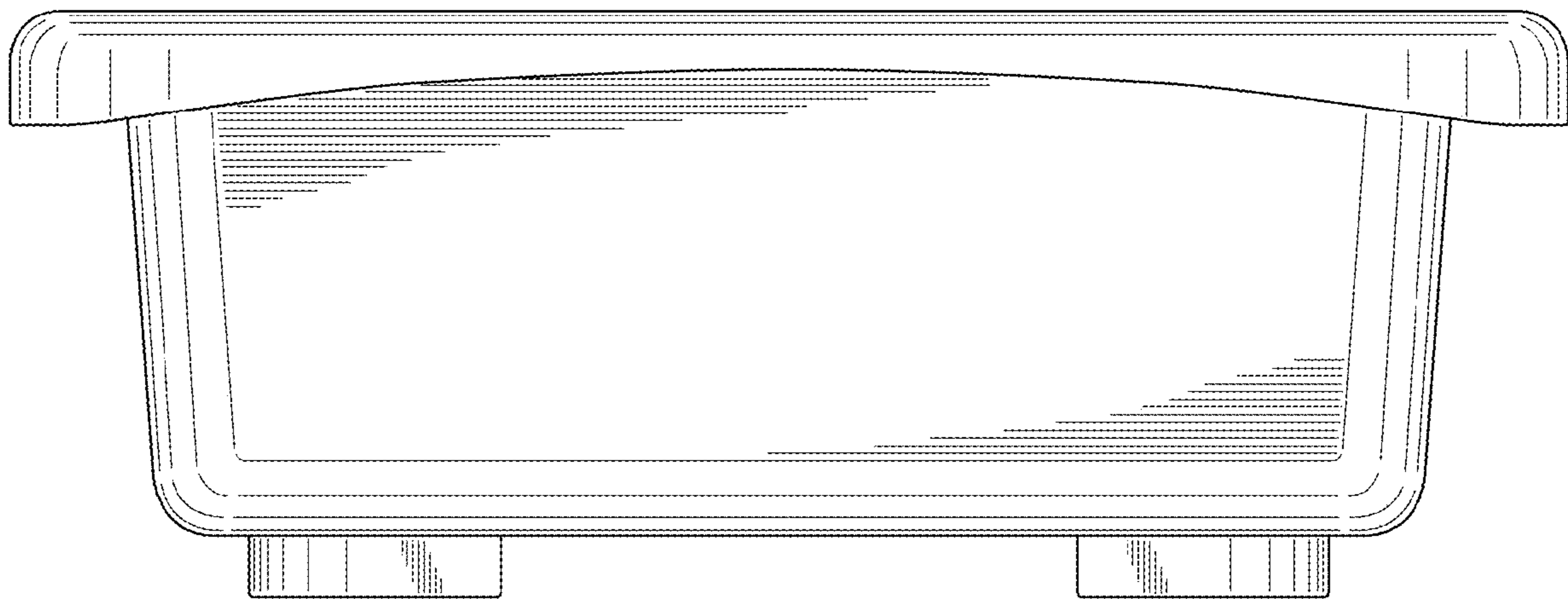


FIG. 4

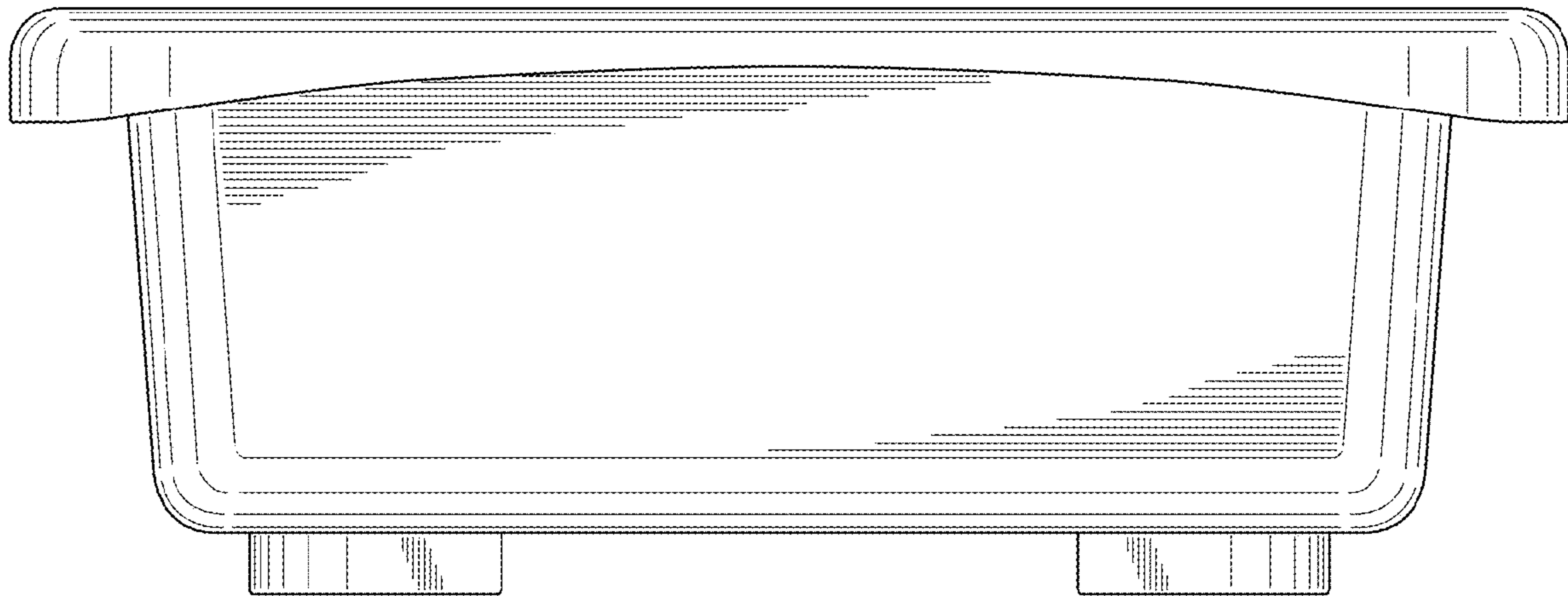


FIG. 5

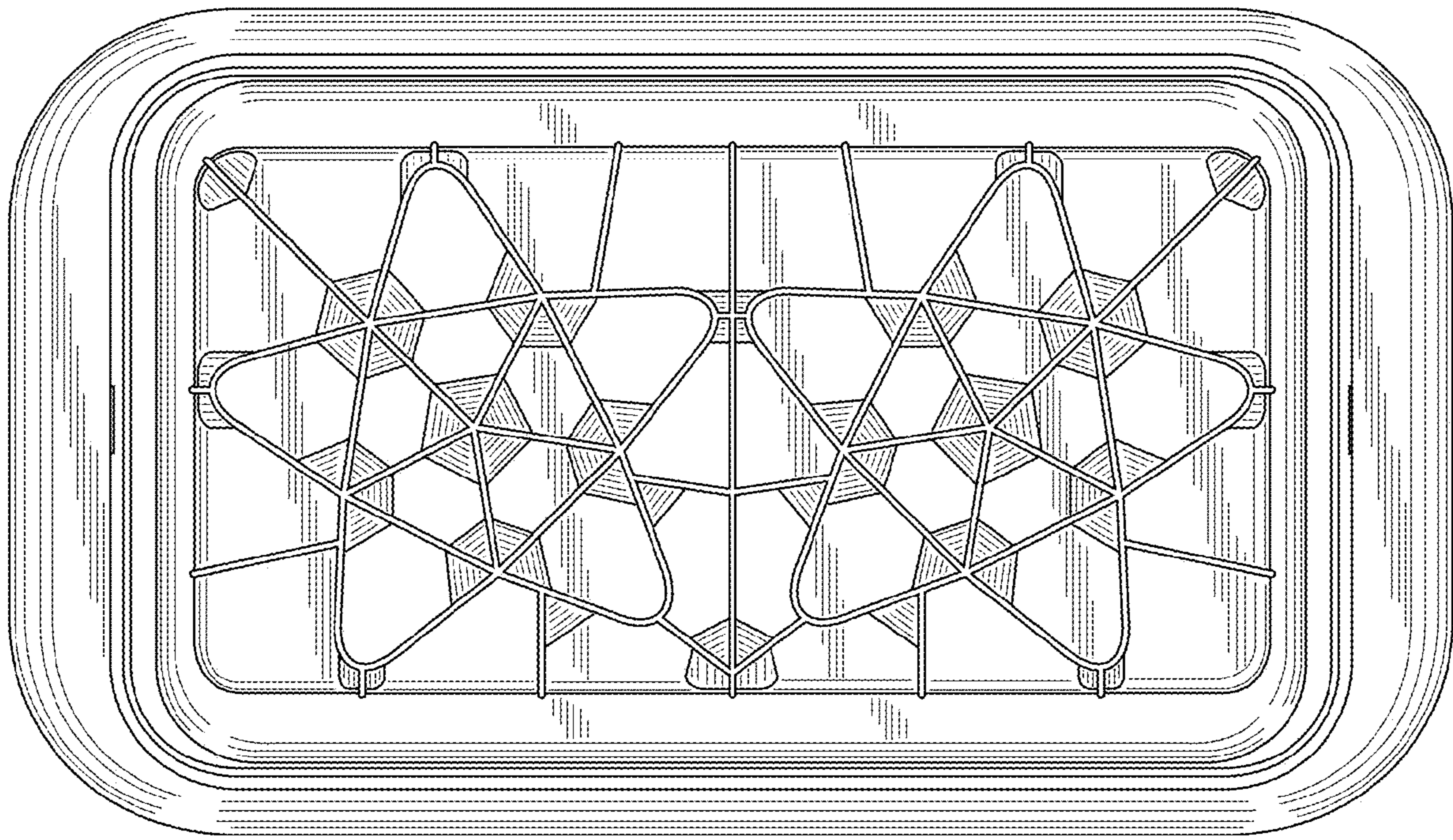


FIG. 6

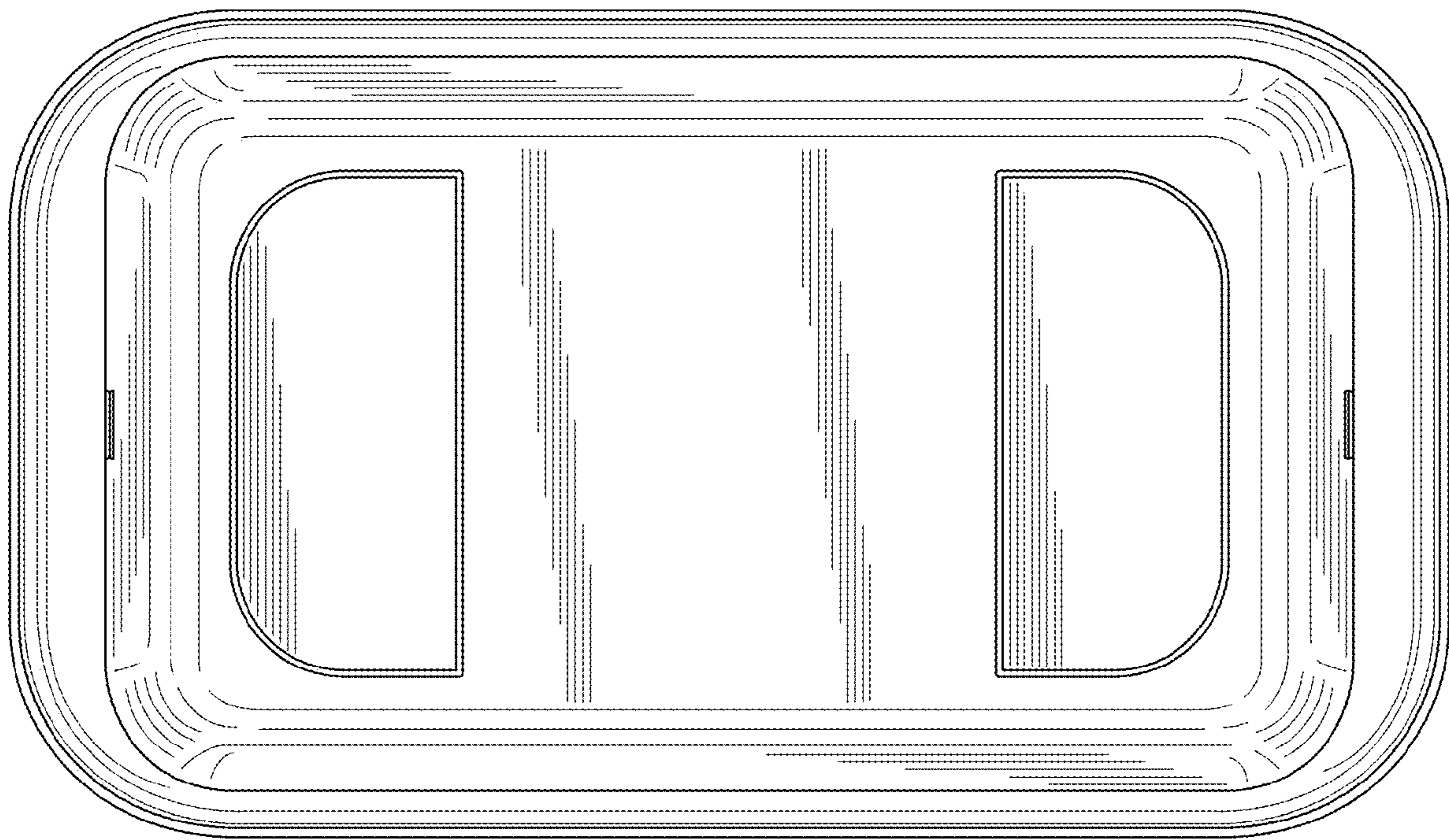


FIG. 7

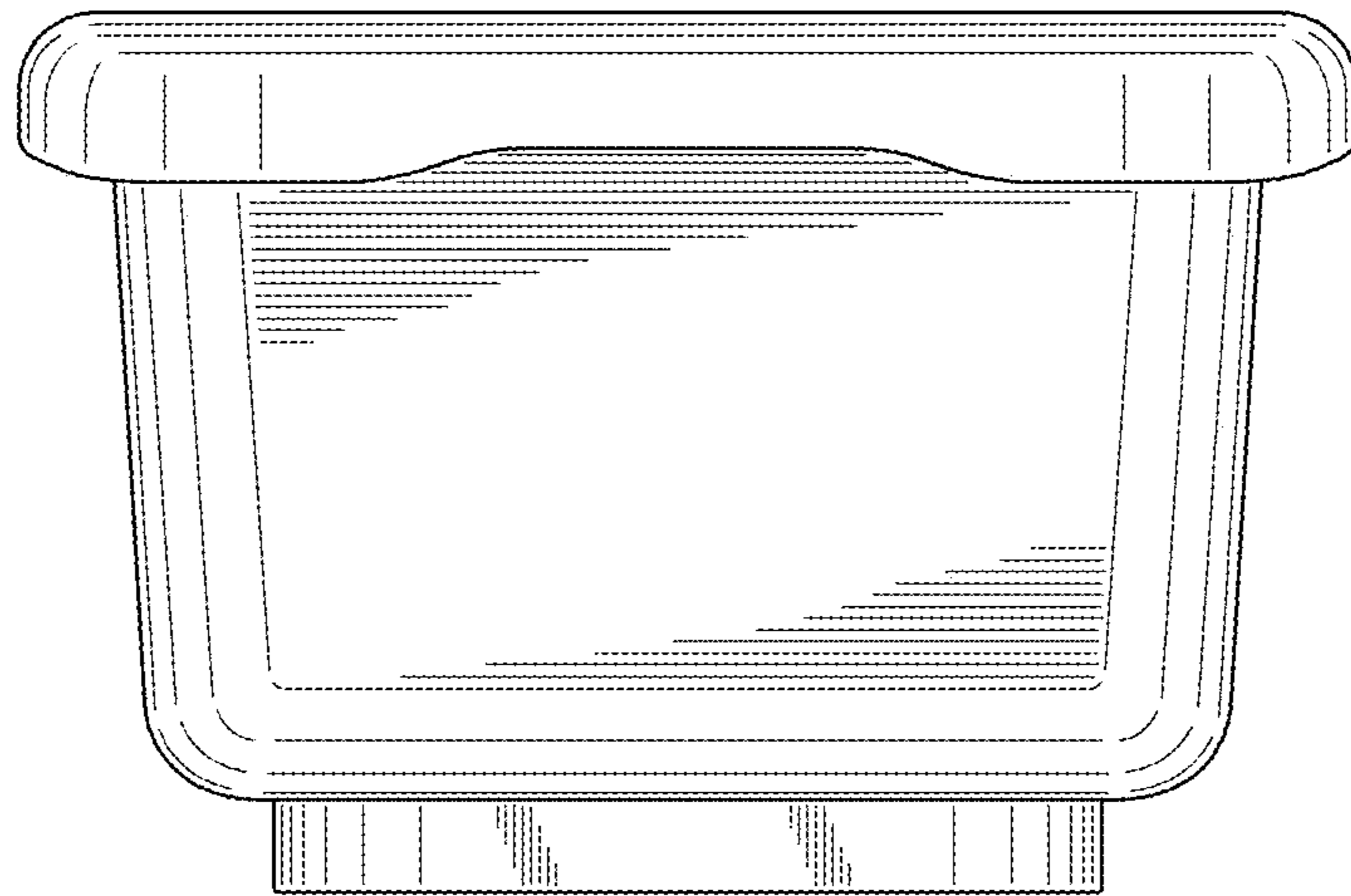


FIG. 8

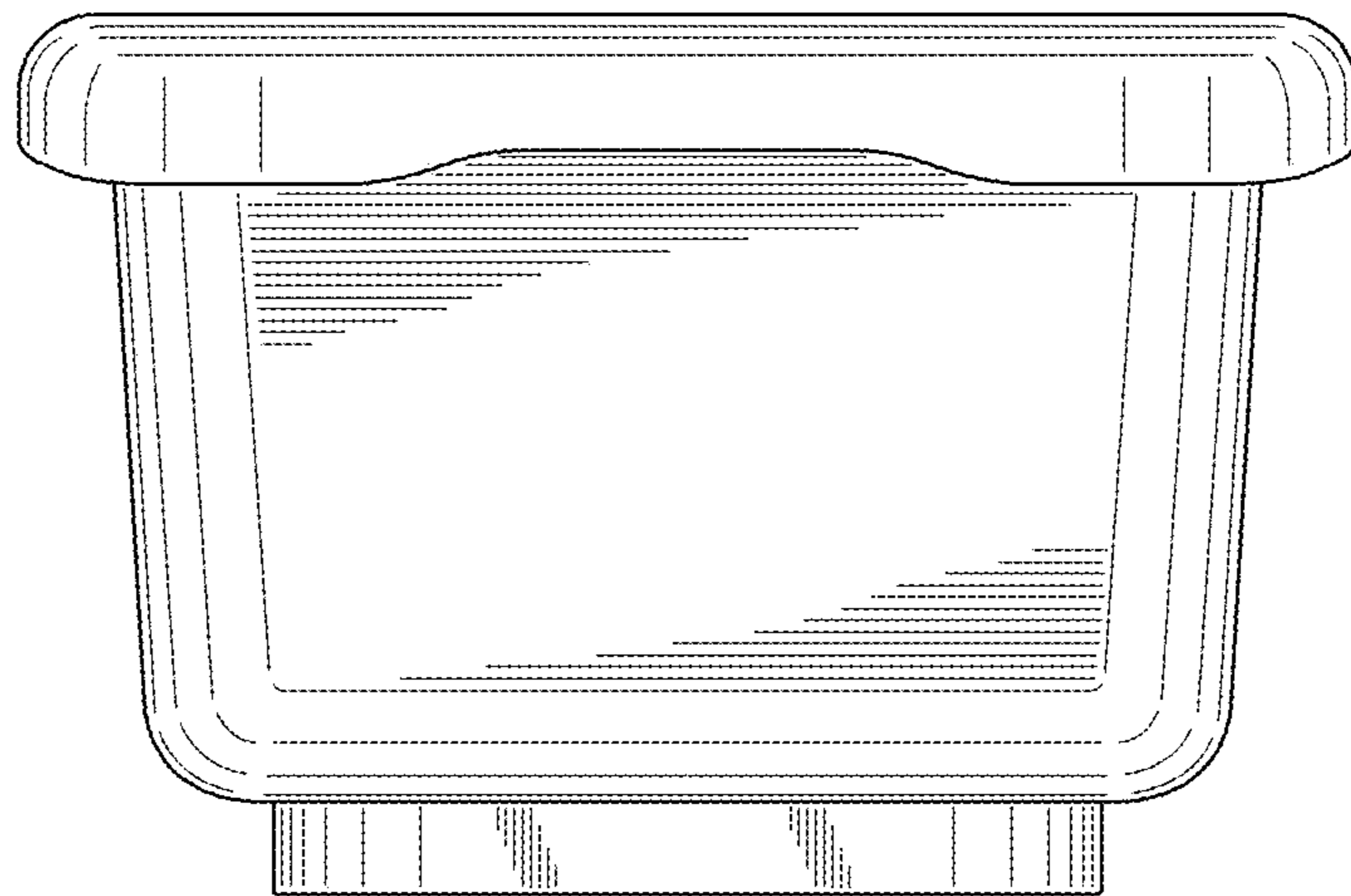


FIG. 9

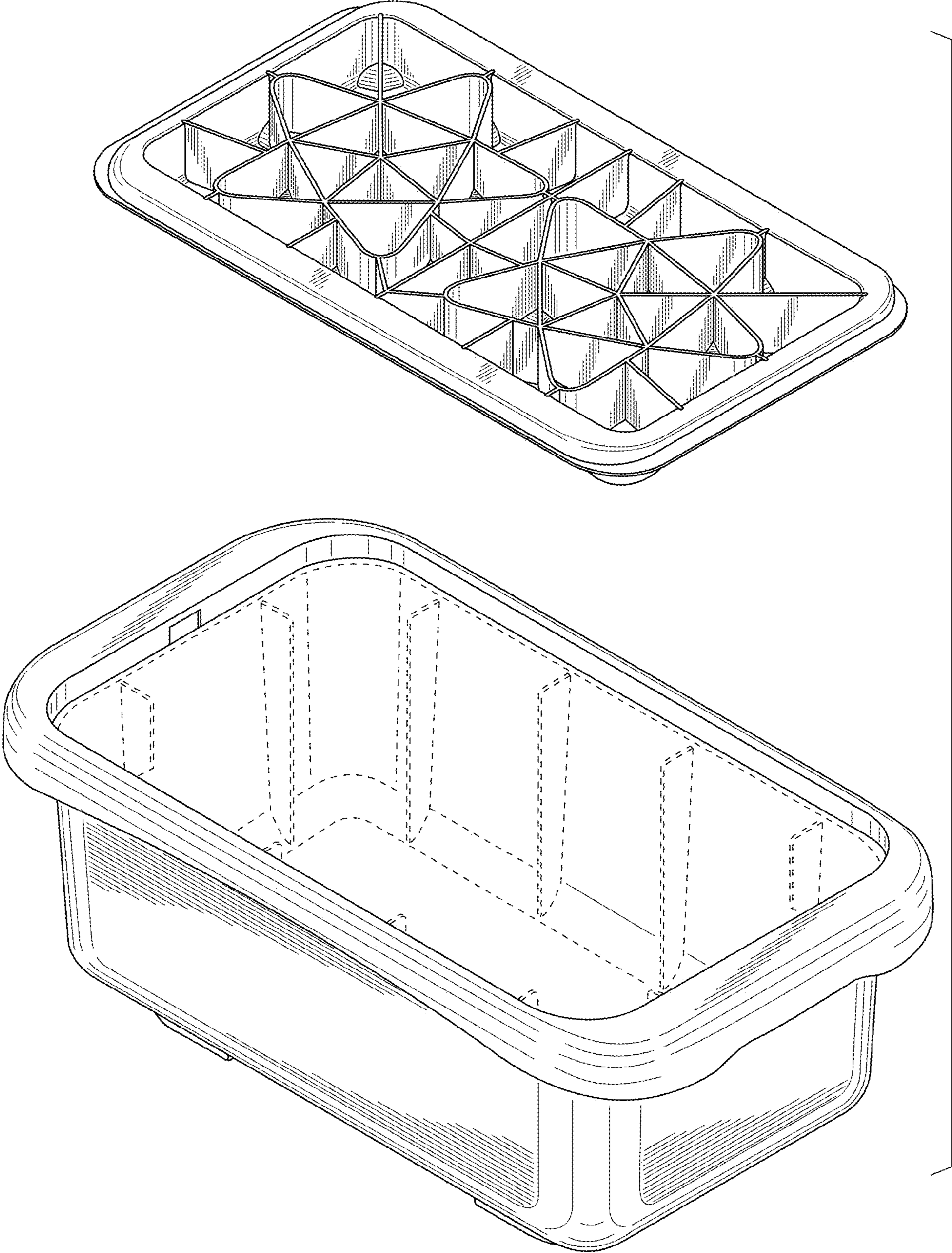


FIG. 10

