



US00D907359S

(12) **United States Design Patent**  
**Clark**

(10) **Patent No.:** **US D907,359 S**  
(45) **Date of Patent:** **\*\* Jan. 12, 2021**

(54) **REMOVEABLE HOLSTER**

(71) Applicant: **Scott L. Clark**, Boone, IA (US)

(72) Inventor: **Scott L. Clark**, Boone, IA (US)

(\*\*) Term: **15 Years**

(21) Appl. No.: **29/680,377**

(22) Filed: **Feb. 15, 2019**

(51) **LOC (13) Cl.** ..... **03-01**

(52) **U.S. Cl.**  
USPC ..... **D3/222**

(58) **Field of Classification Search**  
USPC ..... D3/222, 224, 226; 224/191–193,  
224/197–198, 238, 243–244, 911–913,  
(Continued)

(56) **References Cited**

U.S. PATENT DOCUMENTS

4,022,361 A 5/1977 Devlin  
4,258,871 A 3/1981 McMahon  
(Continued)

*Primary Examiner* — Catherine R Oliver-Garcia  
(74) *Attorney, Agent, or Firm* — Nyemaster Goode, P.C.

(57) **CLAIM**

The ornamental design for a removable holster, as shown and described.

**DESCRIPTION**

FIG. 1 is an upper right perspective view of a removable holster of the present invention;  
FIG. 2 is a top plan view of a removable holster of the present invention;  
FIG. 3 is an elevated right side view of a removable holster of the present invention;  
FIG. 4 is an elevated front view of the removable holster of the present invention;

FIG. 5 is an elevated rear view of the removable holster of the present invention;  
FIG. 6 is an upper right perspective view of the embodiment of the removable holster of the present invention with a weapon and clip inserted;  
FIG. 7 is a top plan view of the embodiment of the removable holster of the present invention with a weapon and clip inserted;  
FIG. 8 is an elevated right side view of the embodiment of the removable holster of the present invention with a weapon and clip inserted;  
FIG. 9 is an elevated front view of the embodiment of the removable holster of the present invention with a weapon and clip inserted;  
FIG. 10 is an elevated rear view of the embodiment of the removable holster of the present invention with a weapon and clip inserted;  
FIG. 11 is an elevated right side view of a second embodiment of the removable holster of the present invention;  
FIG. 12 is a top plan view of a second embodiment of the removable holster of the present invention;  
FIG. 13 is an elevated right side view of a second embodiment of the removable holster of the present invention;  
FIG. 14 is an elevated front view of a second embodiment of the removable holster of the present invention;  
FIG. 15 is an elevated rear view of a second embodiment of the removable holster of the present invention;  
FIG. 16 is an elevated right side view of a second embodiment of the removable holster of the present invention with a weapon and clip inserted;  
FIG. 17 is a top plan view of a second embodiment of the removable holster of the present invention with a weapon and clip inserted;  
FIG. 18 is an elevated right side view of a second embodiment of the removable holster of the present invention with a weapon and clip inserted;  
FIG. 19 is an elevated front view of a second embodiment of the removable holster of the present invention with a weapon and clip inserted;  
FIG. 20 is an elevated rear view of a second embodiment of the removable holster of the present invention with a weapon and clip inserted;

(Continued)

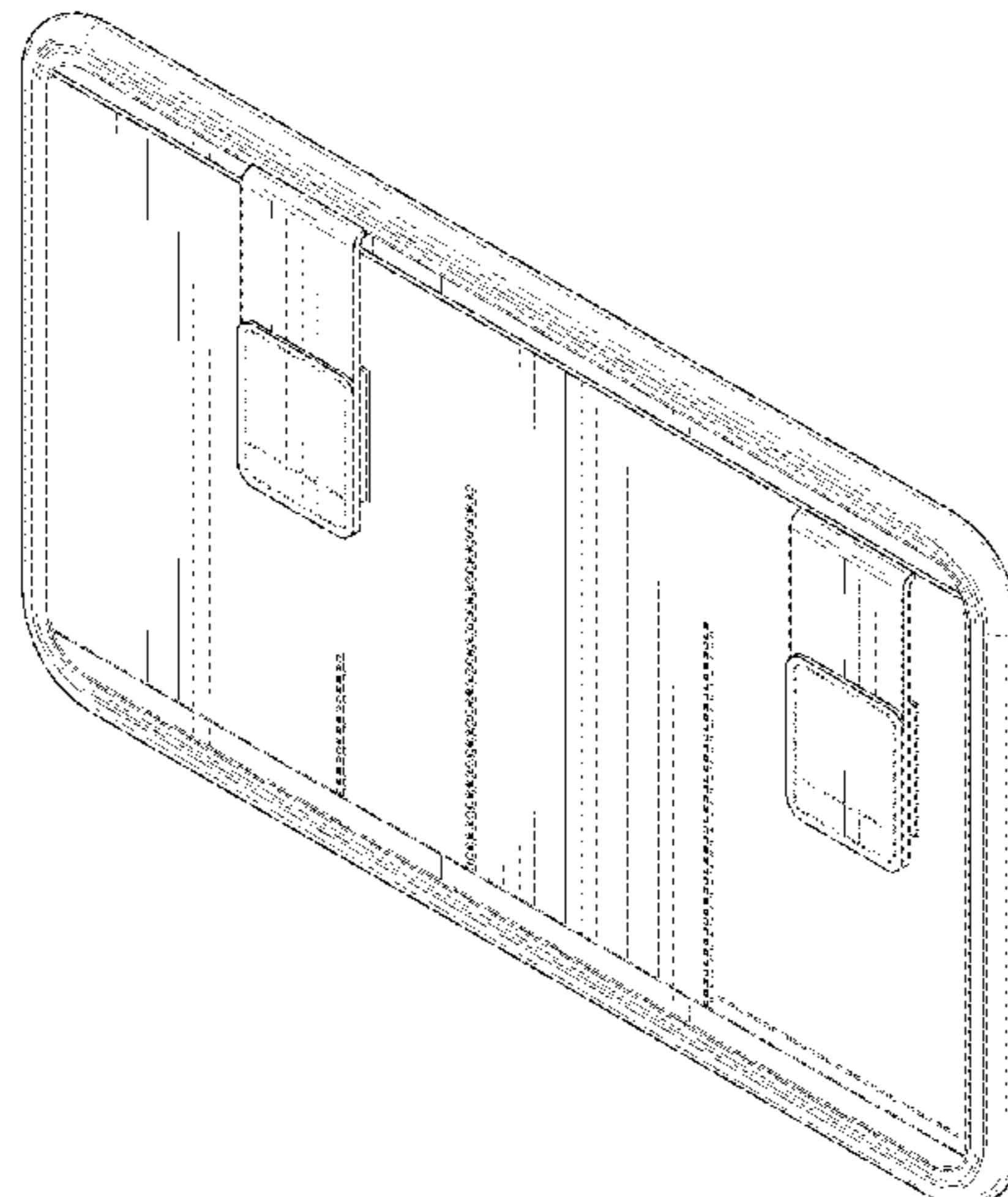


FIG. 21 is an elevated right side view of a third embodiment of the removable holster of the present invention;  
 FIG. 22 is a top plan view of a third embodiment of the removable holster of the present invention;  
 FIG. 23 is an elevated right side view of a third embodiment of the removable holster of the present invention;  
 FIG. 24 is an elevated front view of a third embodiment of the removable holster of the present invention;  
 FIG. 25 is an elevated rear view of a third embodiment of the removable holster of the present invention;  
 FIG. 26 is an elevated right side view of a third embodiment of the removable holster of the present invention with a weapon and clip inserted;  
 FIG. 27 is a top plan view of a third embodiment of the removable holster of the present invention with a weapon and clip inserted;  
 FIG. 28 is an elevated right side view of a third embodiment of the removable holster of the present invention with a weapon and clip inserted;  
 FIG. 29 is an elevated front view of a third embodiment of the removable holster of the present invention with a weapon and clip inserted;  
 FIG. 30 is an elevated rear view of a third embodiment of the removable holster of the present invention with a weapon and clip inserted;  
 FIG. 31 is an elevated right side view of a fourth embodiment of the removable holster of the present invention;  
 FIG. 32 is a top plan view of a fourth embodiment of the removable holster of the present invention;  
 FIG. 33 is an elevated right side view of a fourth embodiment of the removable holster of the present invention;  
 FIG. 34 is an elevated front view of a fourth embodiment of the removable holster of the present invention; and,  
 FIG. 35 is an elevated rear view of a fourth embodiment of the removable holster of the present invention.  
 The broken lines in the figures are for contextual purposes or show the environment and form no part of the claimed design.  
 The break lines indicate that no particular length is claimed, and any portion shown between the breaks forms no part of the claimed design.

**1 Claim, 35 Drawing Sheets**

(58) **Field of Classification Search**

USPC ..... 224/222, 240, 253, 267, 681–682, 684, 224/901, 901.4

CPC ..... A45C 1/04; A45C 7/00; A45F 5/00; A45F 5/02; A45F 5/021; A45F 2005/008; A45F 2200/0575; F41C 33/0227; F41C 33/023; F41C 33/0209

See application file for complete search history.

(56) **References Cited**

U.S. PATENT DOCUMENTS

4,387,523	A *	6/1983	Gallagher .....	F41C 33/0209 D3/222
D273,604	S *	4/1984	McMahan .....	D3/222
4,966,320	A	10/1990	Desantis et al.	
5,562,238	A *	10/1996	White .....	F41C 33/00 224/237
5,957,308	A	9/1999	Zierenberg	
6,244,486	B1 *	6/2001	Holland .....	A45F 5/02 224/223
6,760,922	B1	7/2004	Morales	
6,990,887	B1	1/2006	O'Donnell	
D519,276	S *	4/2006	Jameson .....	D3/226
D588,802	S *	3/2009	Cicione .....	D3/228
7,963,427	B2	6/2011	Calkin	
9,010,600	B1	4/2015	Gleaton et al.	
D794,324	S	8/2017	Roccisano	
D799,817	S *	10/2017	Roccisano .....	D3/222
D806,382	S *	1/2018	Beard .....	D3/222
9,945,636	B2	4/2018	Thompson	
10,066,901	B2	9/2018	Dahl et al.	
2005/0017034	A1	1/2005	Ausanio	
2005/0211739	A1	9/2005	Bayless	
2007/0170219	A1	7/2007	Ballarta et al.	
2008/0047986	A1	2/2008	Will et al.	
2012/0292354	A1 *	11/2012	Baxley .....	F41C 33/0218 224/192
2013/0009445	A1	1/2013	Cooper	
2015/0276345	A1	10/2015	Popovits	
2015/0362284	A1	12/2015	Mileshko	
2017/0211908	A1	7/2017	Rocque	
2017/0307330	A1	10/2017	Wasylo	

\* cited by examiner



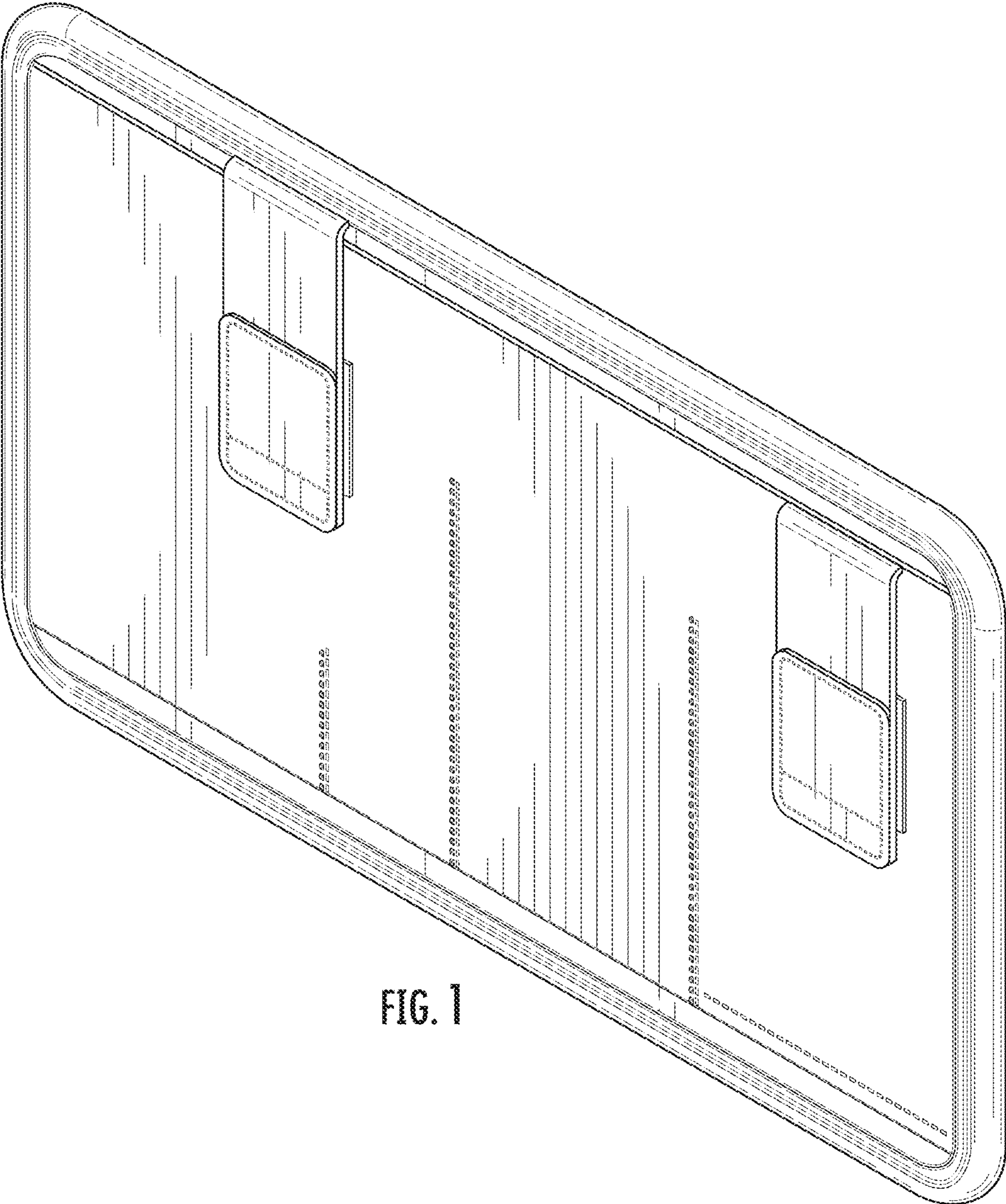


FIG. 1

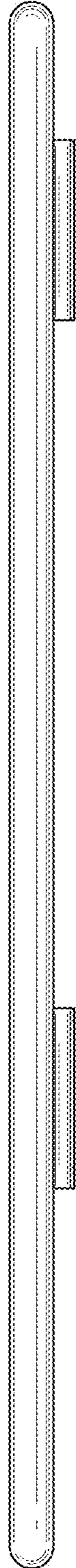


FIG. 2



FIG. 3

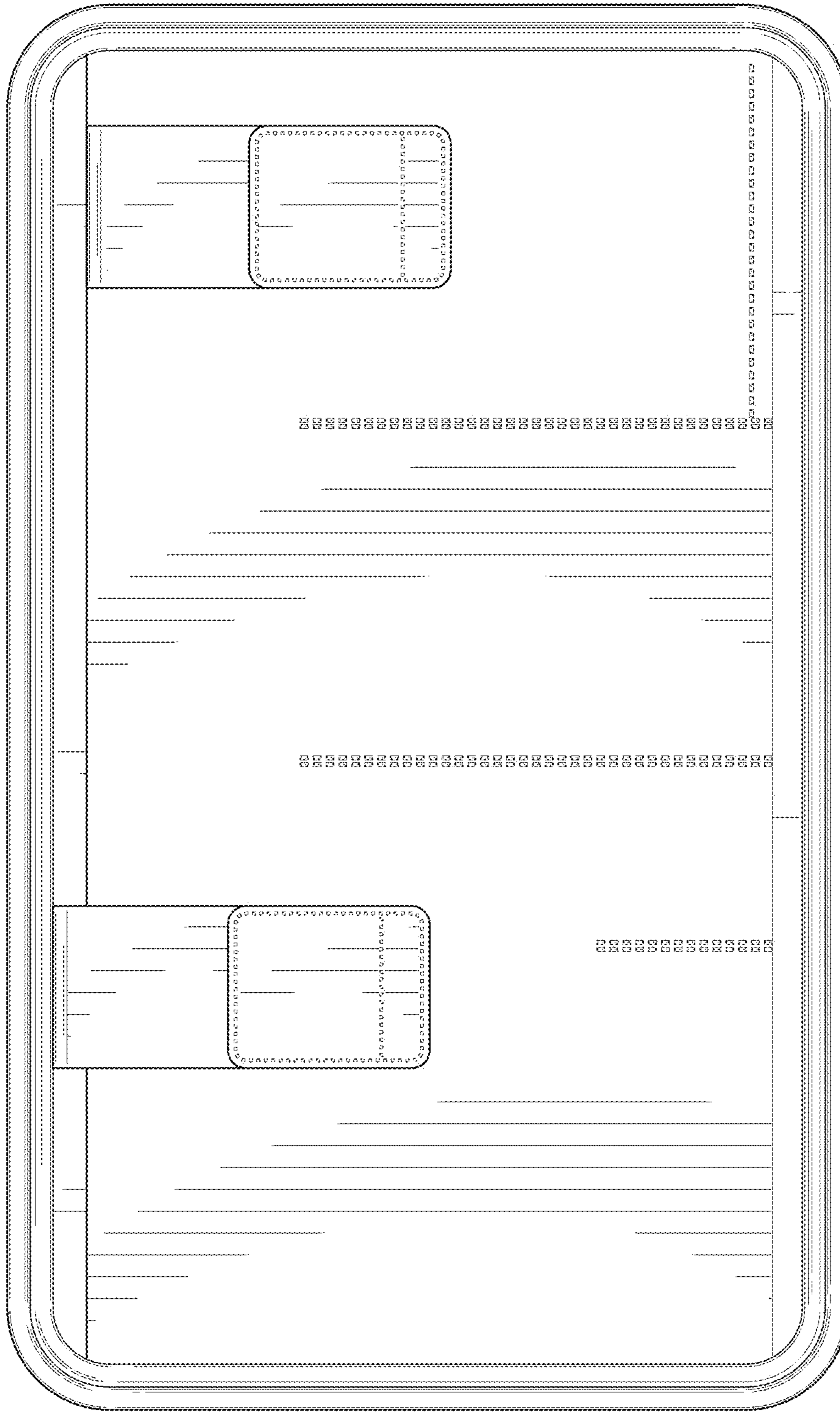


FIG. 4

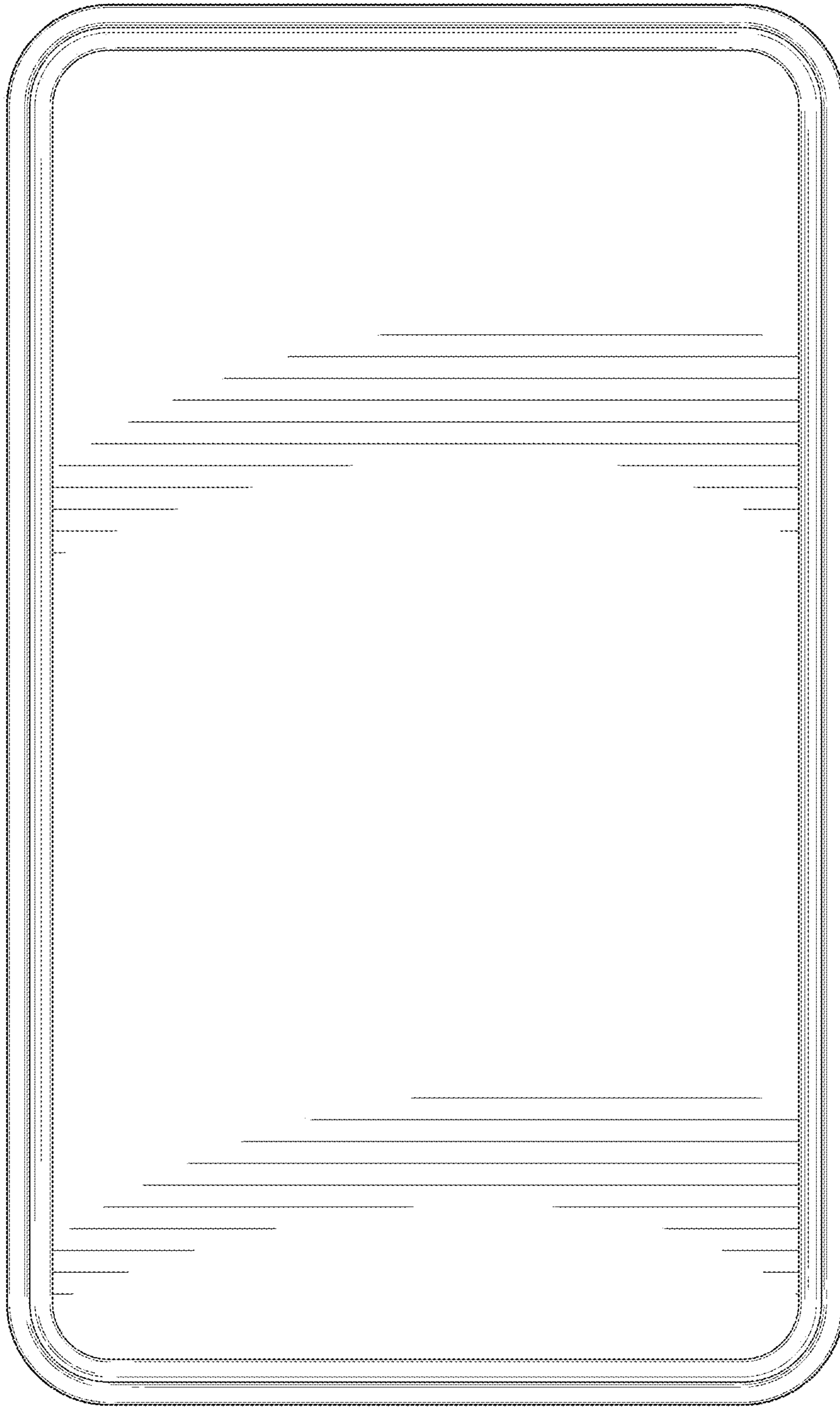


FIG. 5



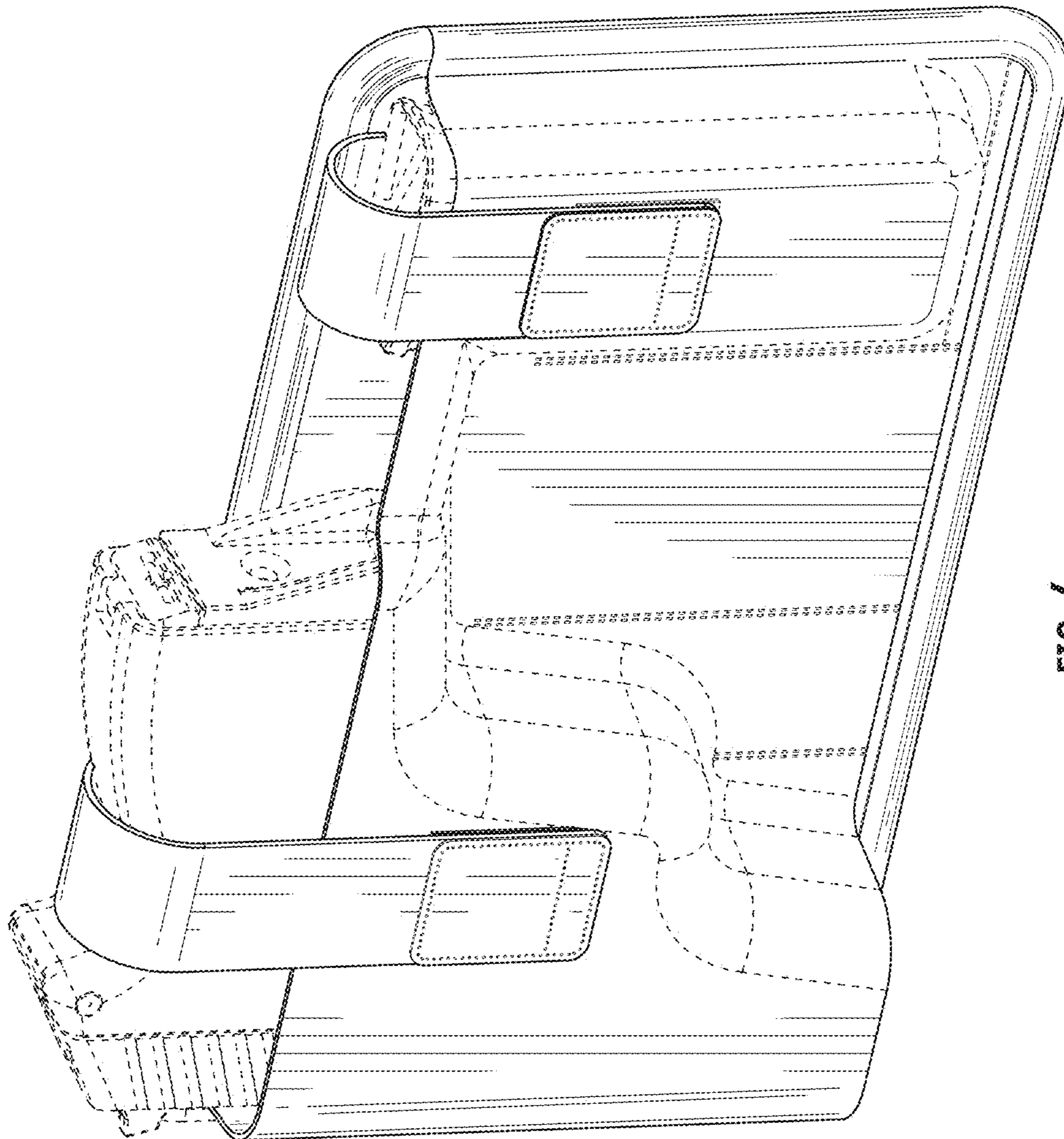


FIG. 6



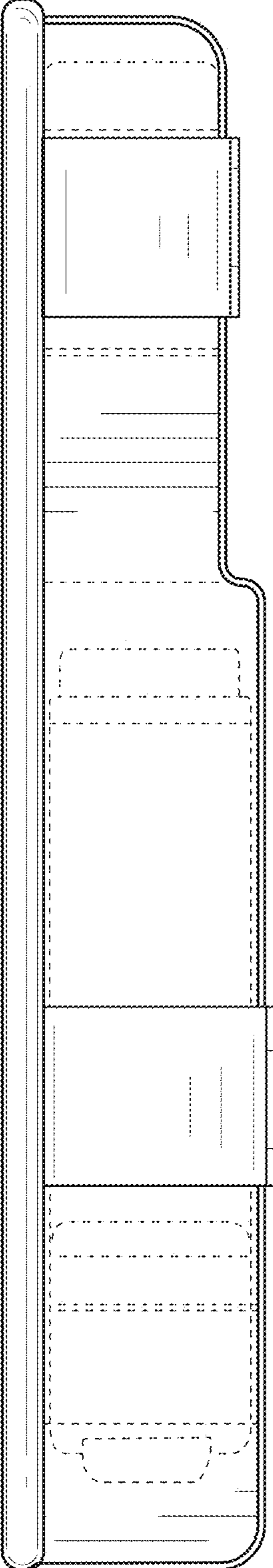


FIG. 7

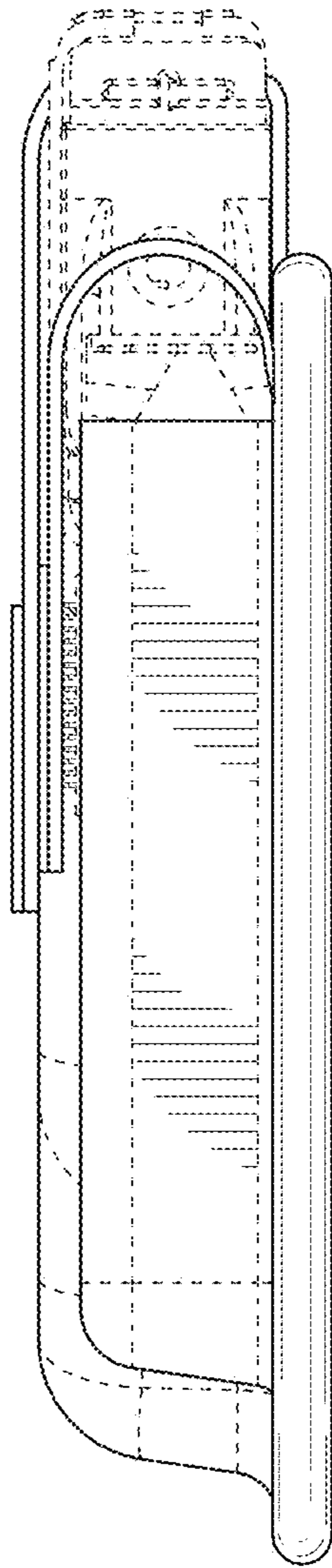


FIG. 8

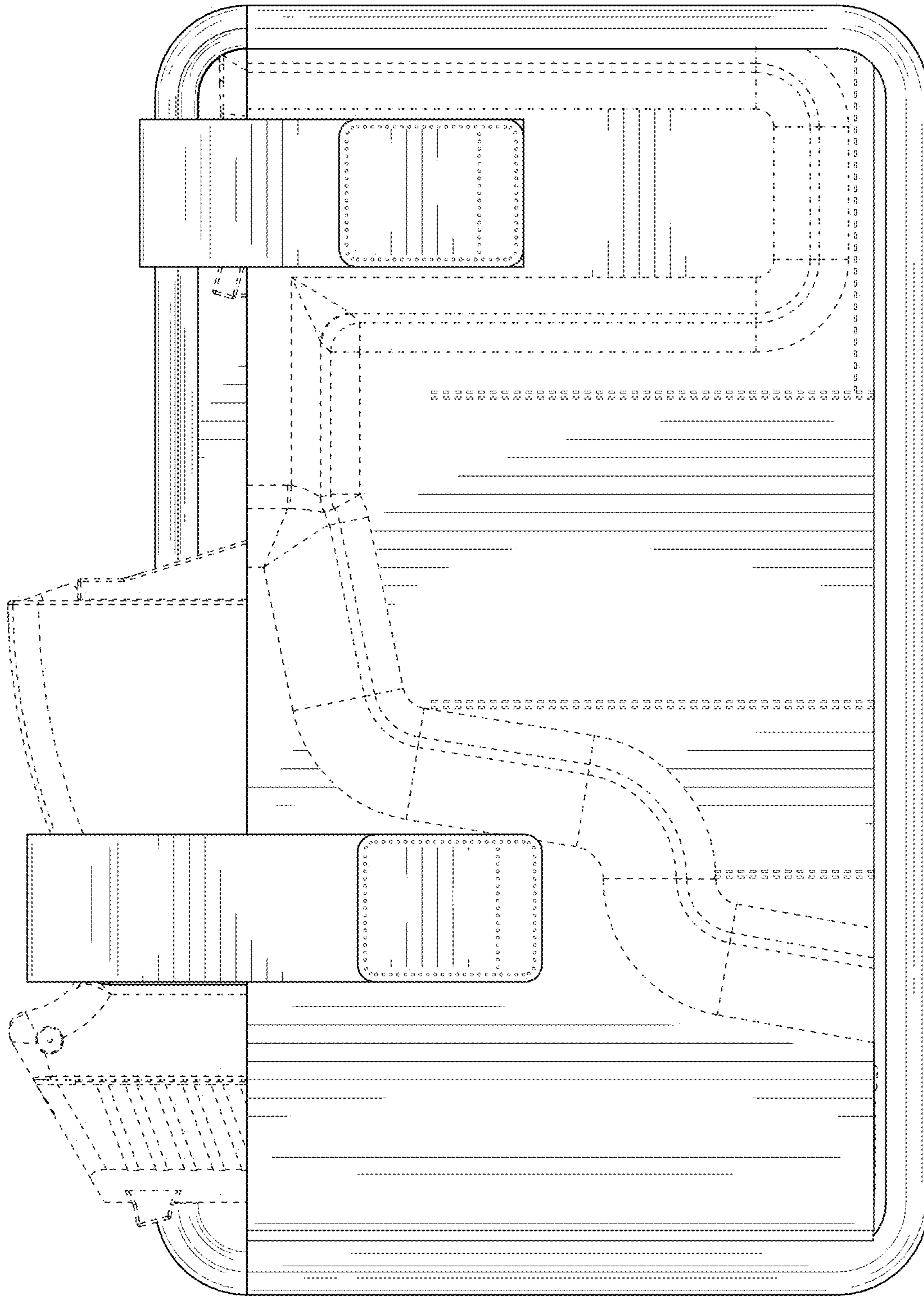


FIG. 9



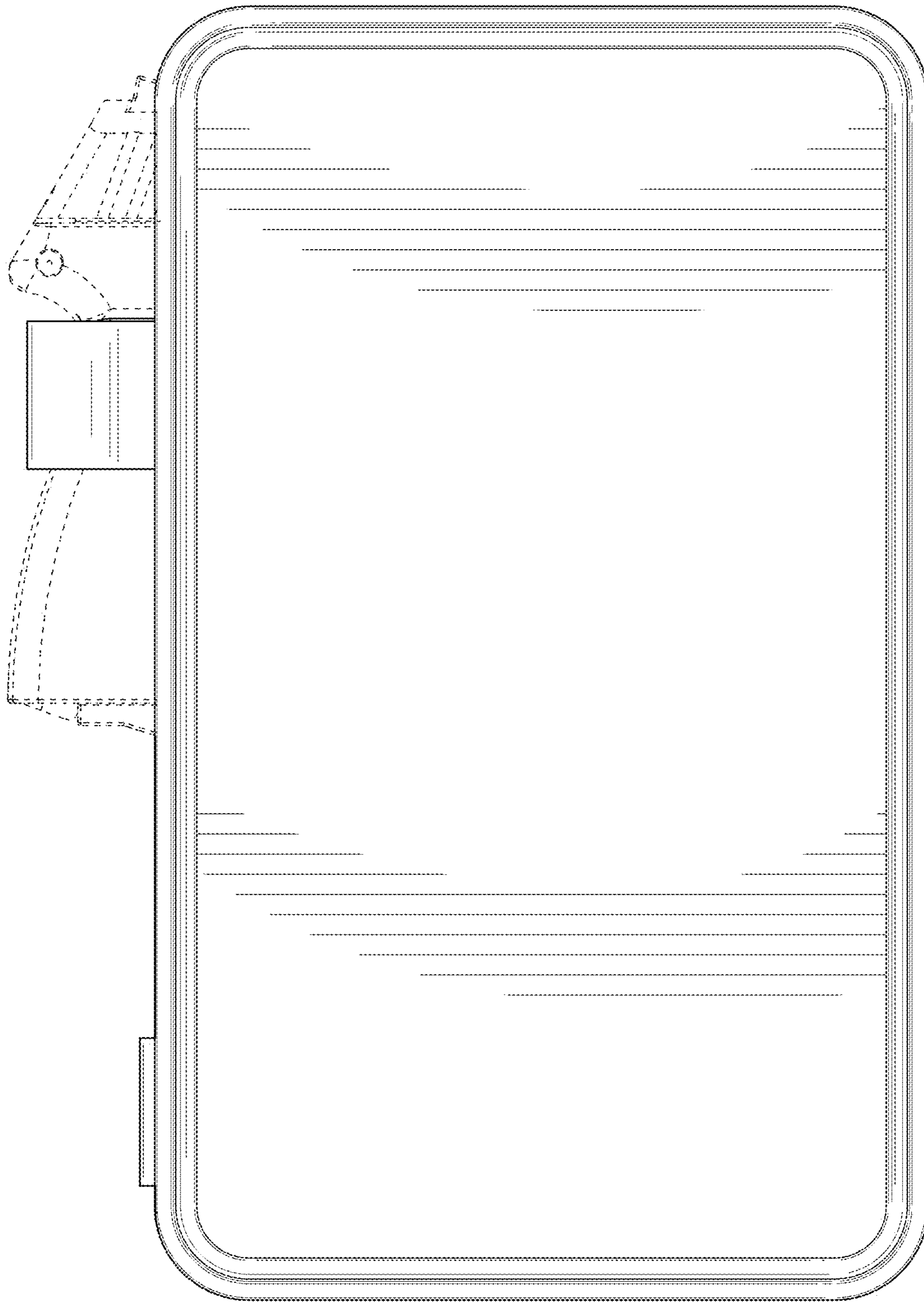


FIG. 10

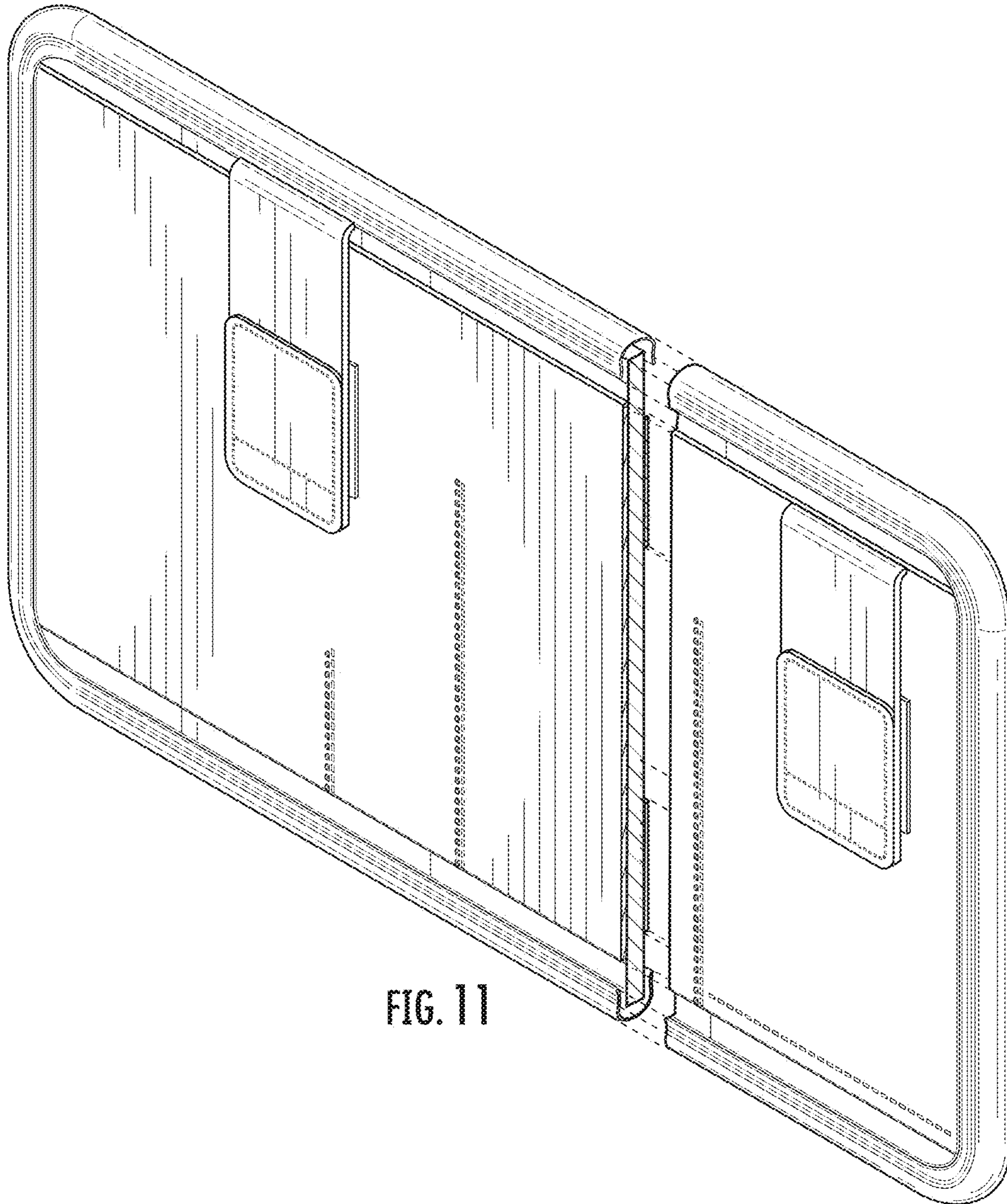


FIG. 11

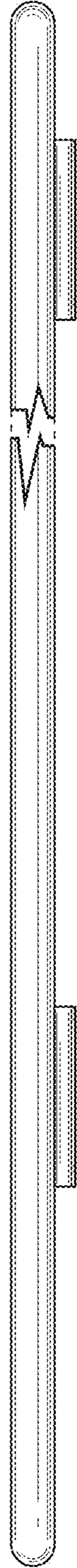


FIG. 12



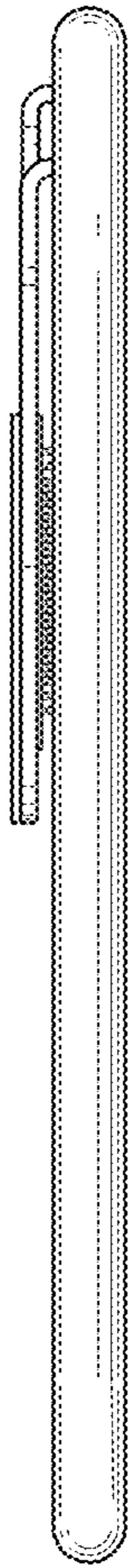


FIG. 13

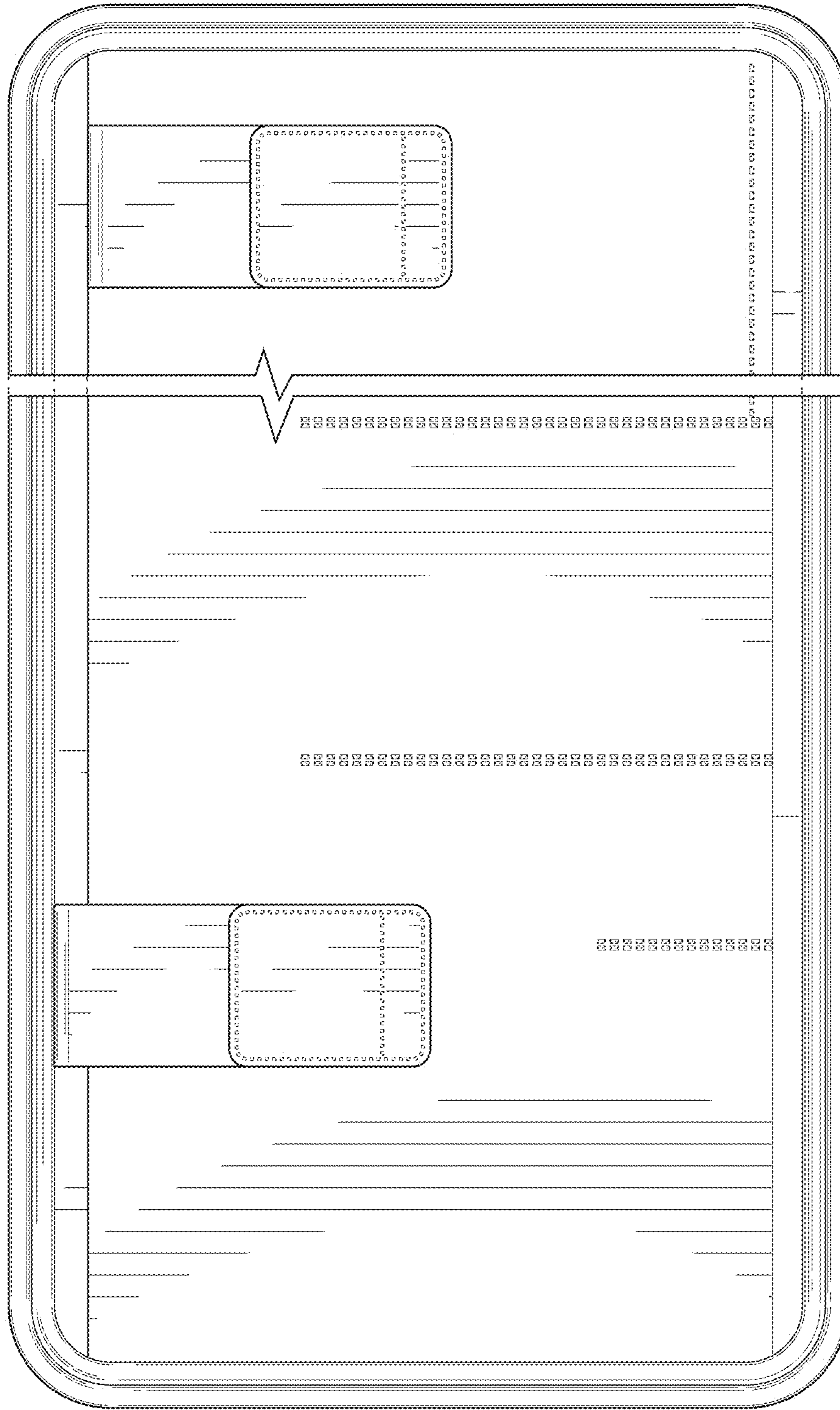


FIG. 14

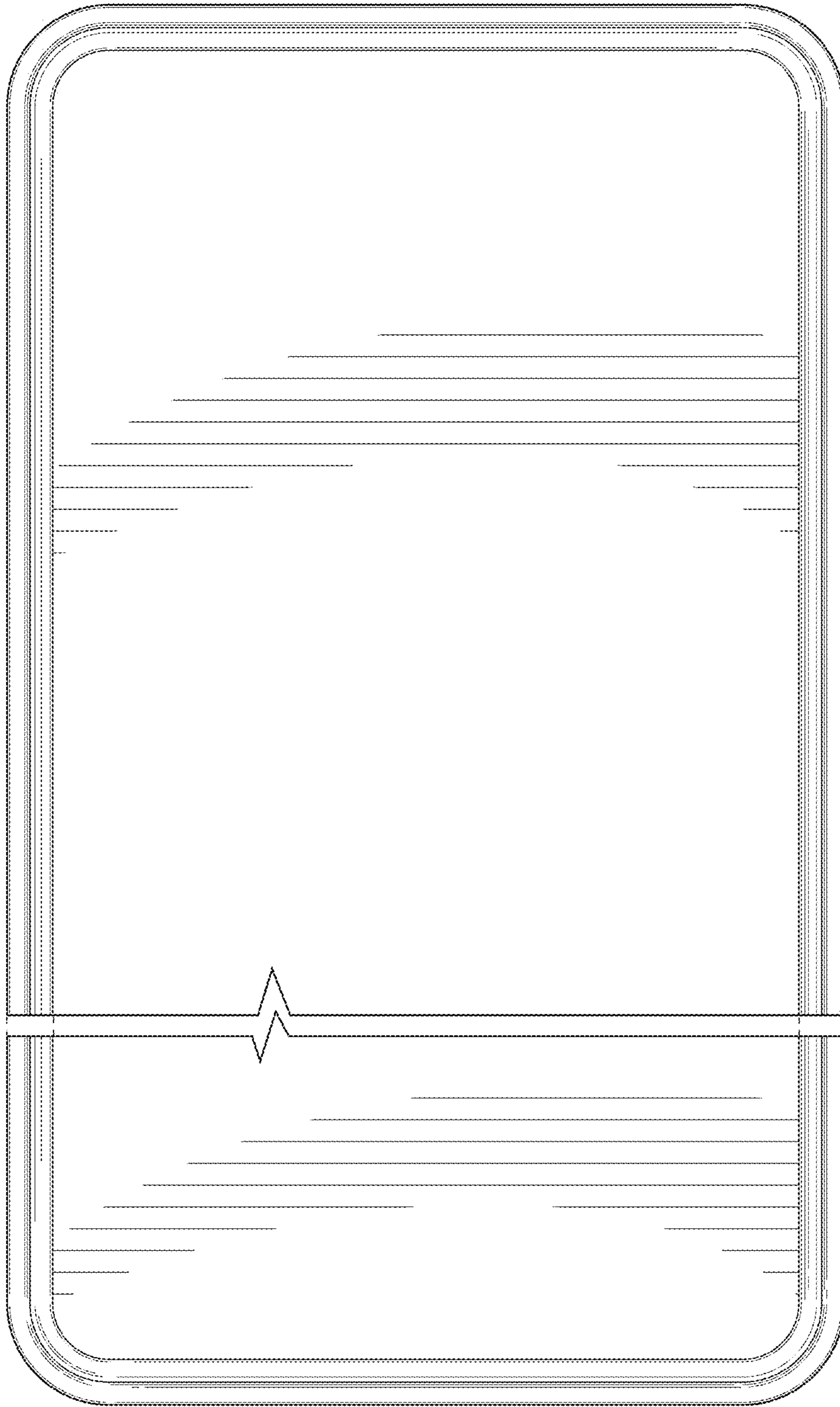


FIG. 15



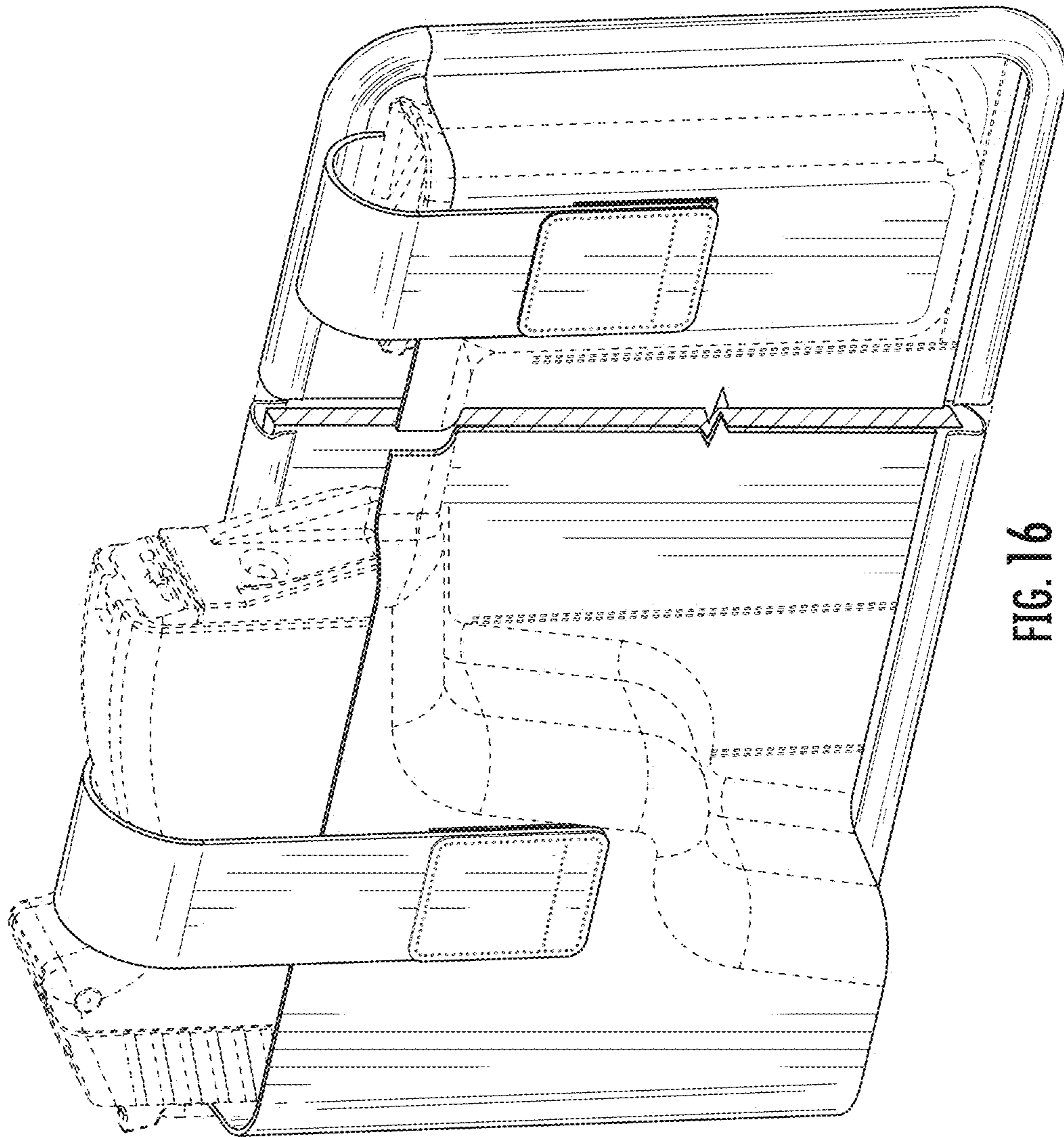


FIG. 16

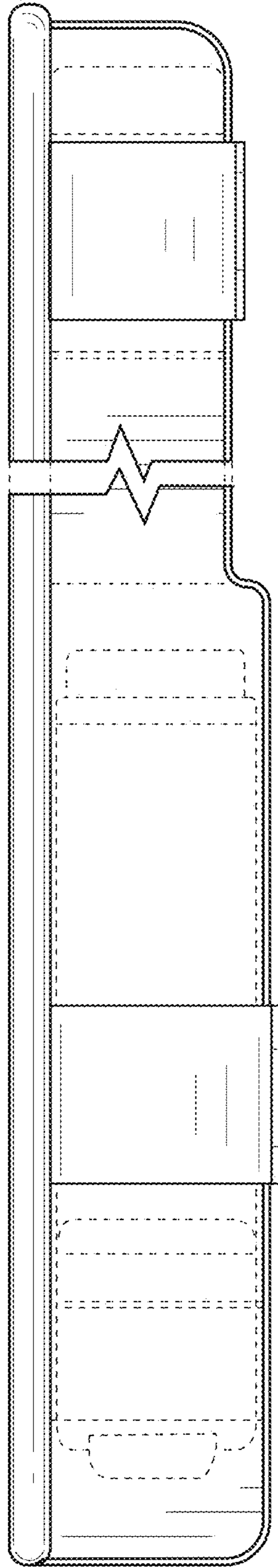


FIG. 17

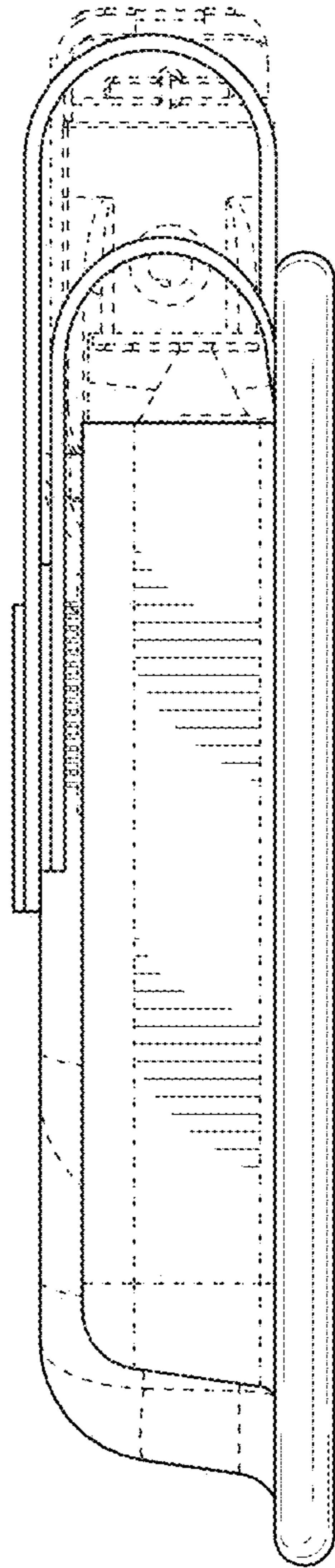


FIG. 18



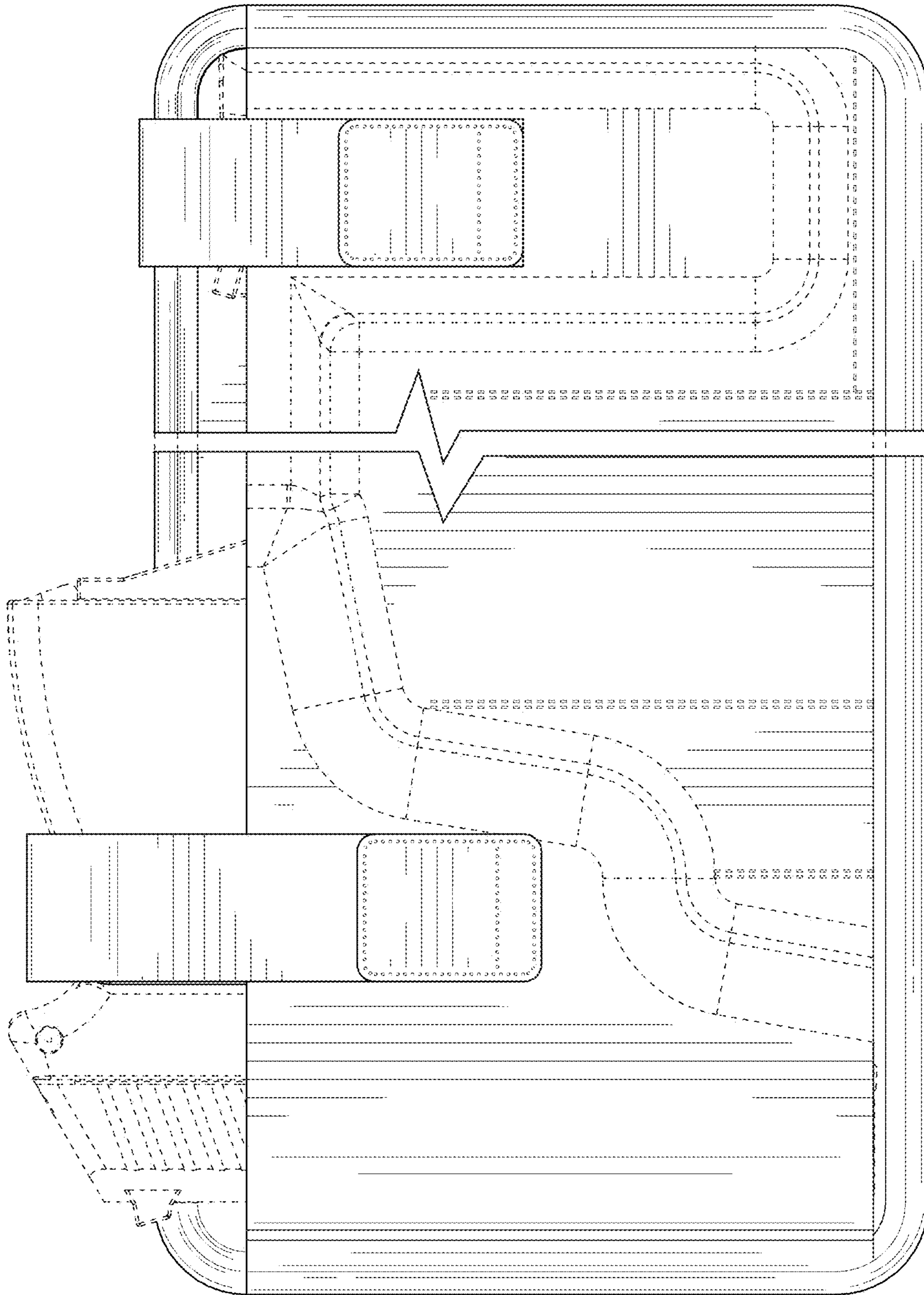


FIG. 19

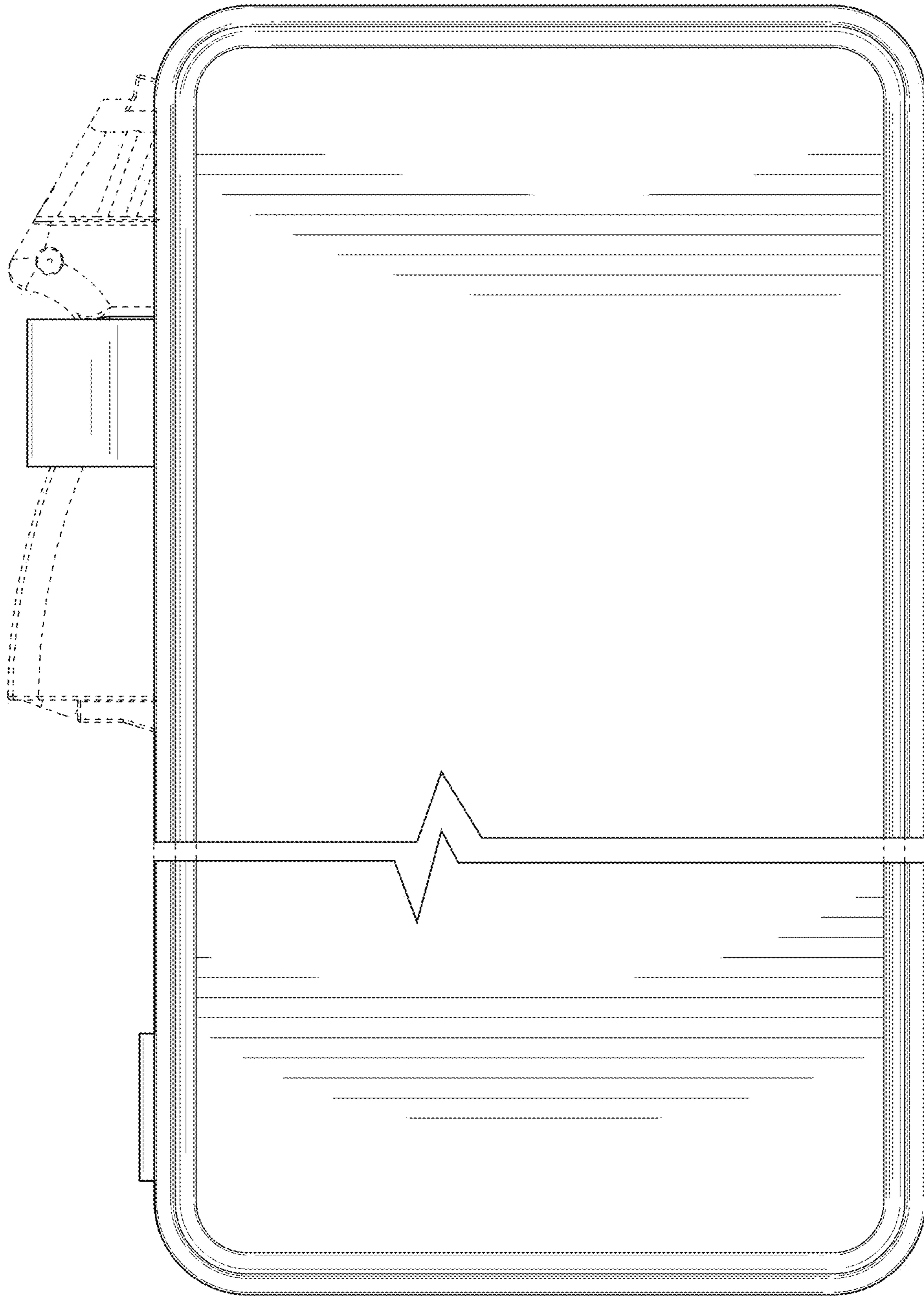


FIG. 20

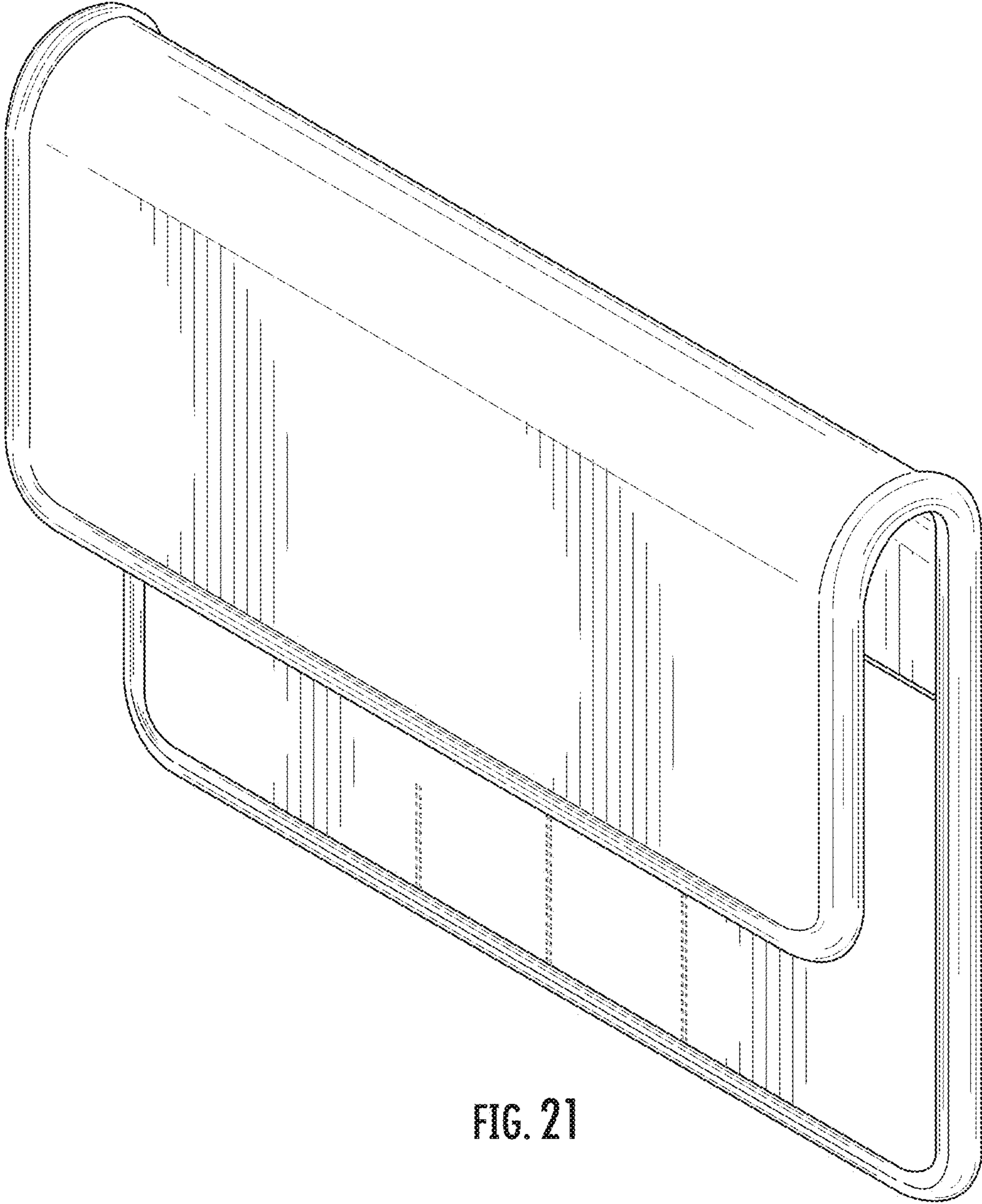


FIG. 21

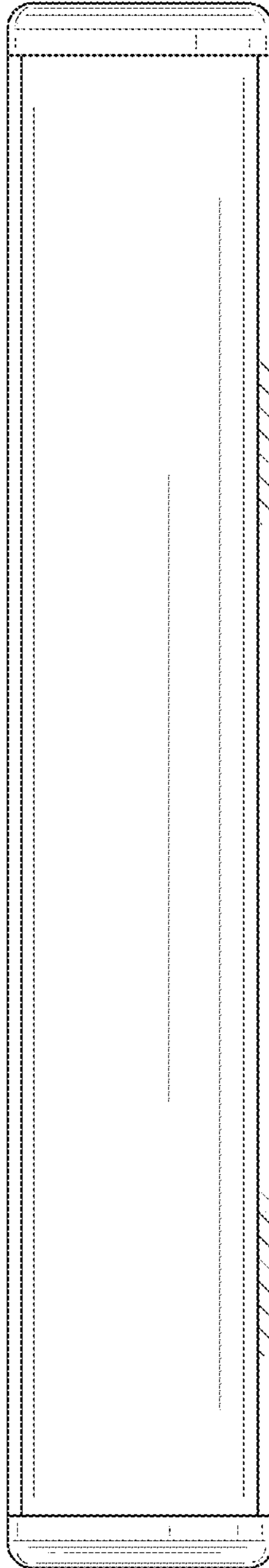


FIG. 22



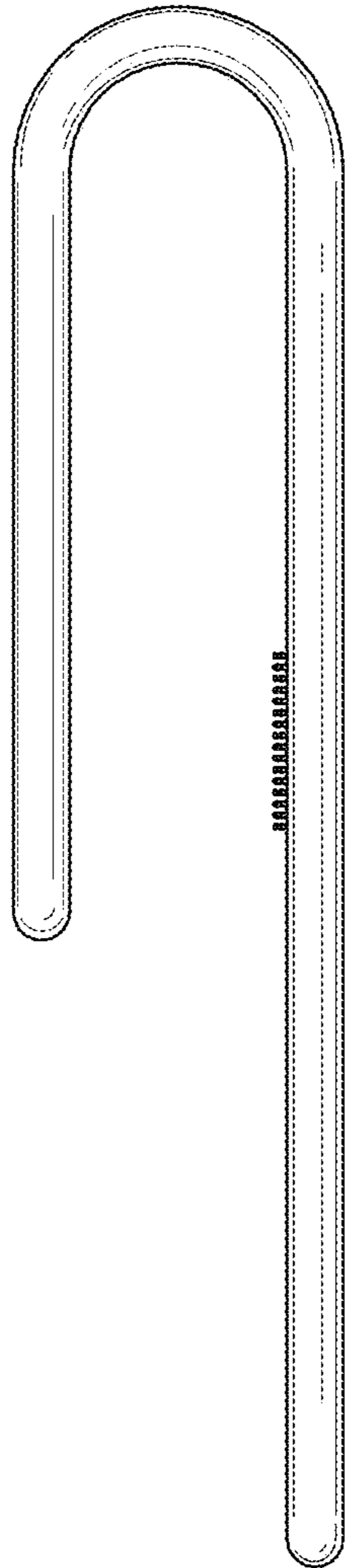


FIG. 23

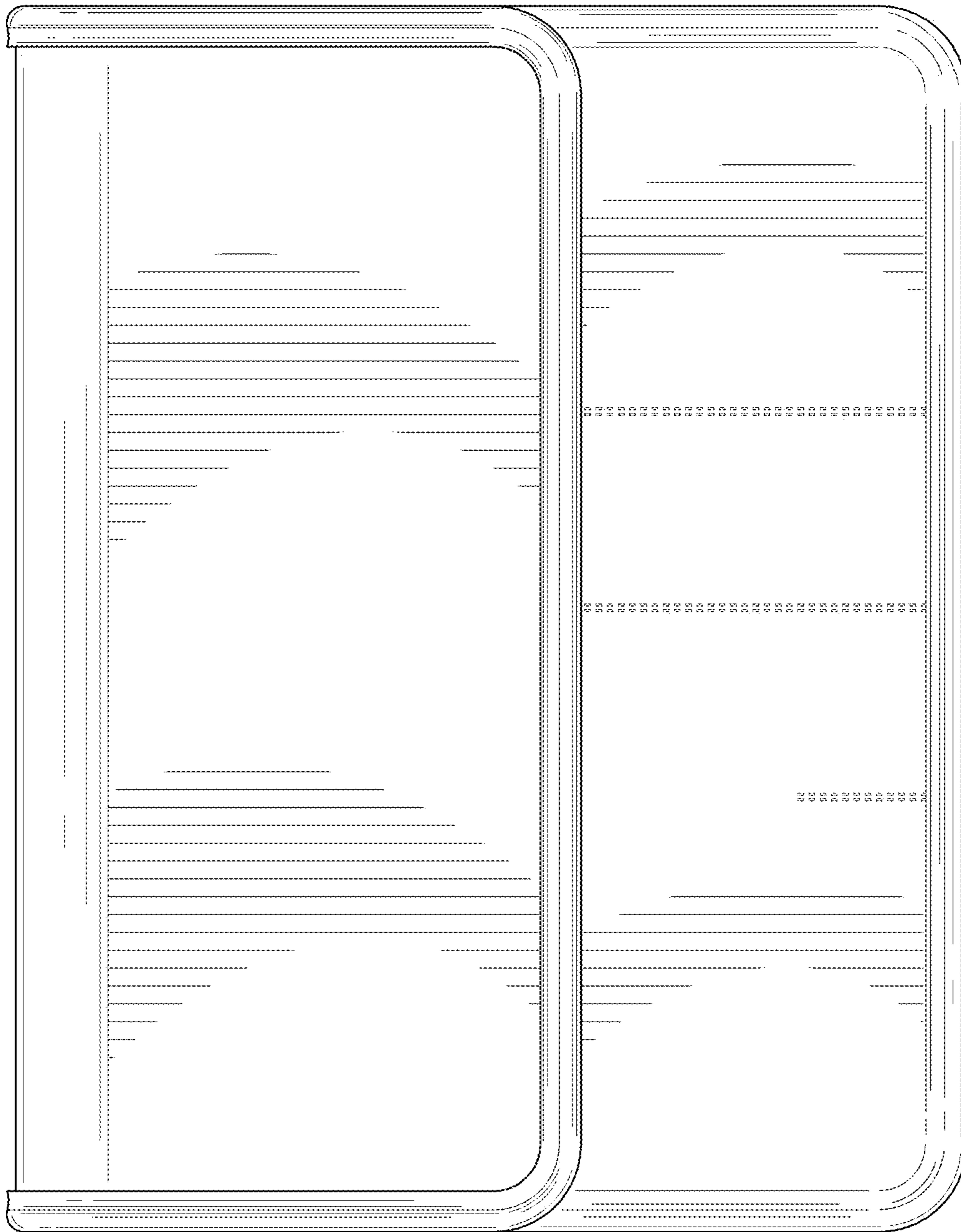


FIG. 24

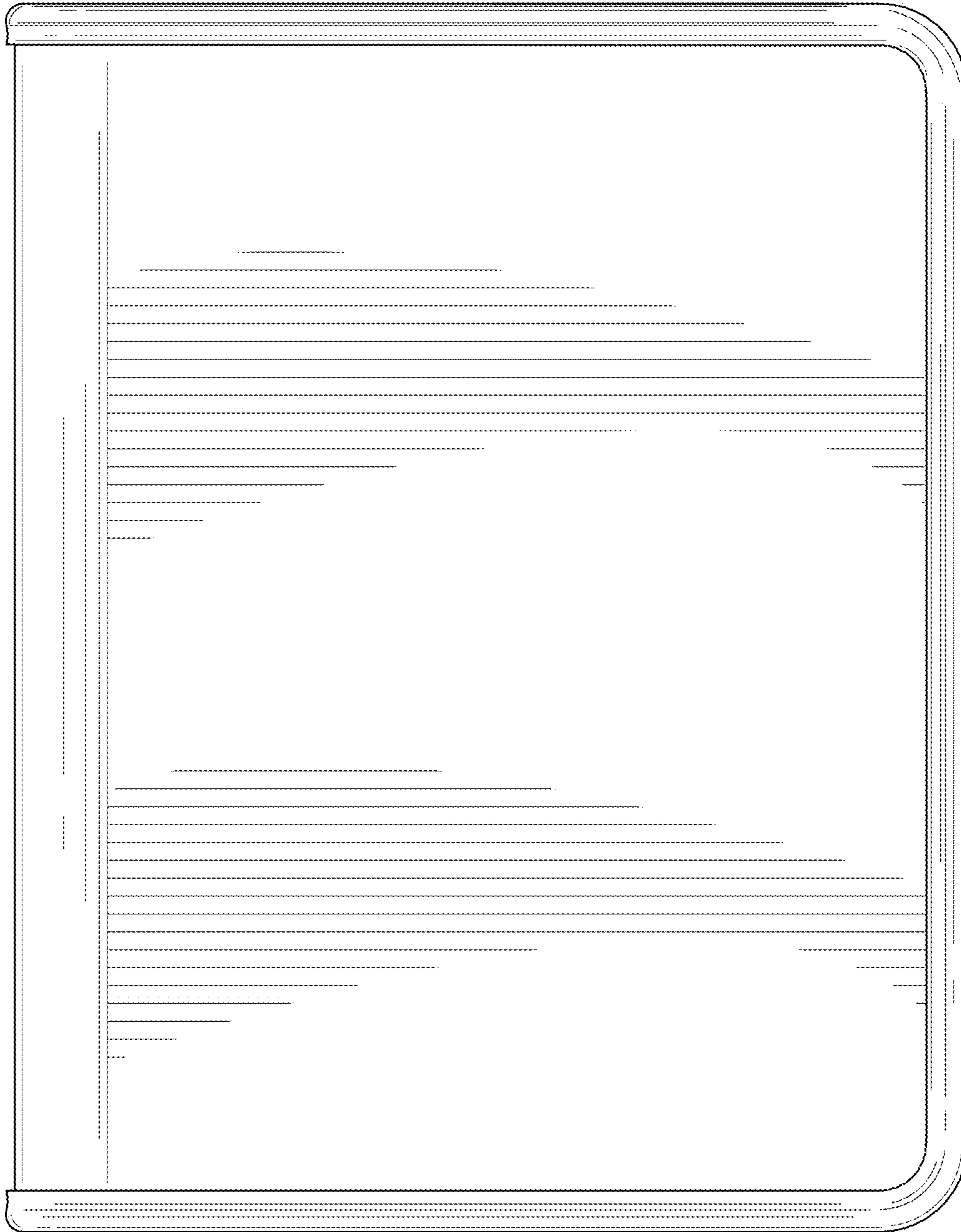


FIG. 25

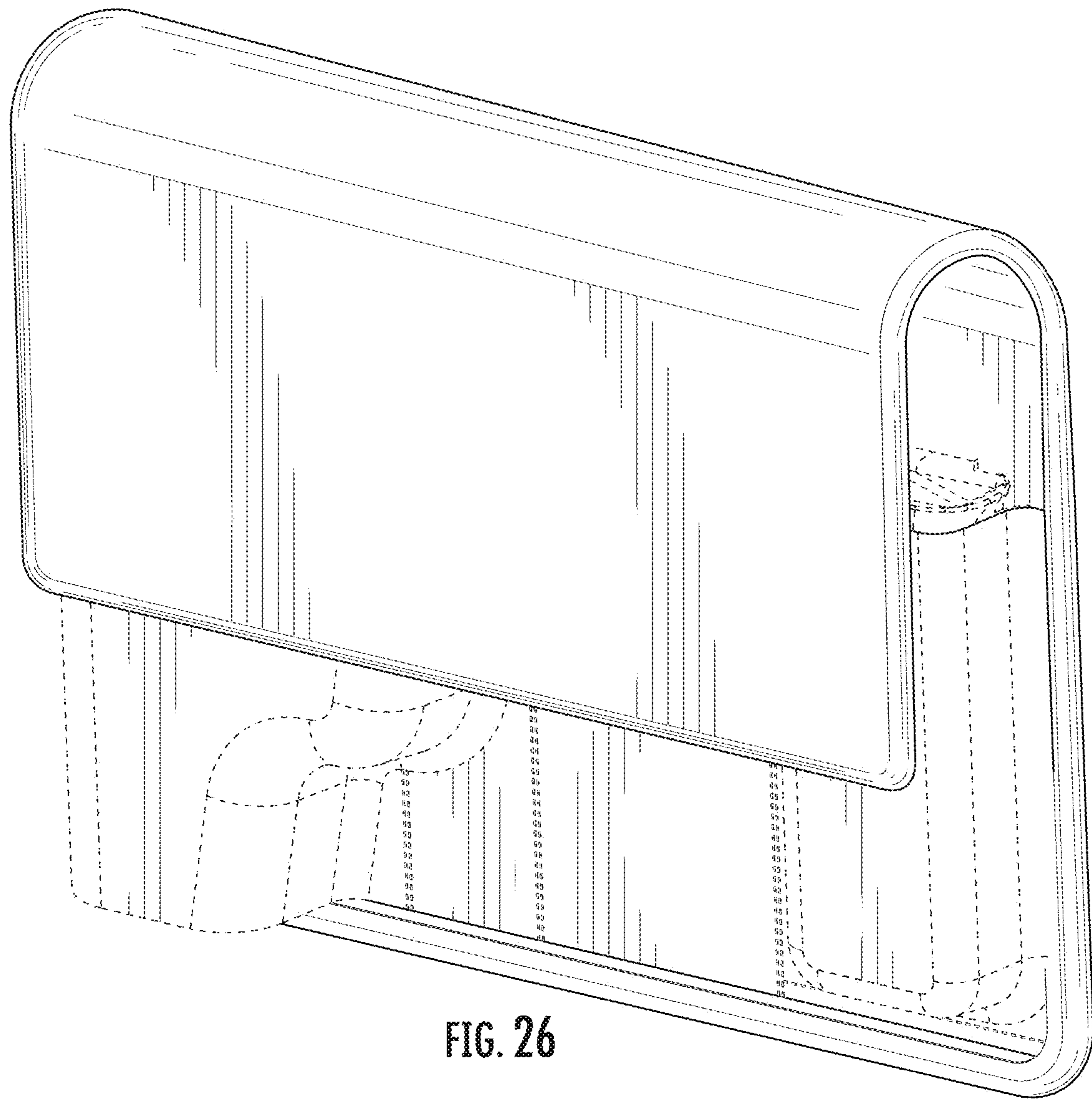


FIG. 26



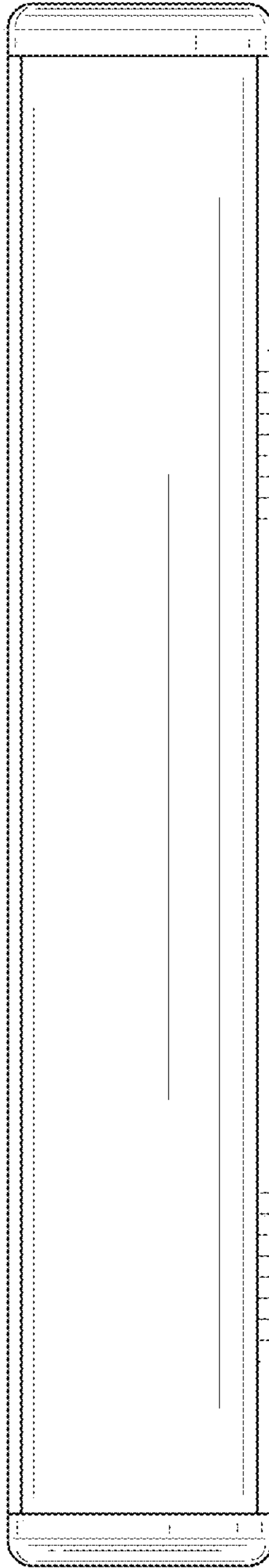


FIG. 27

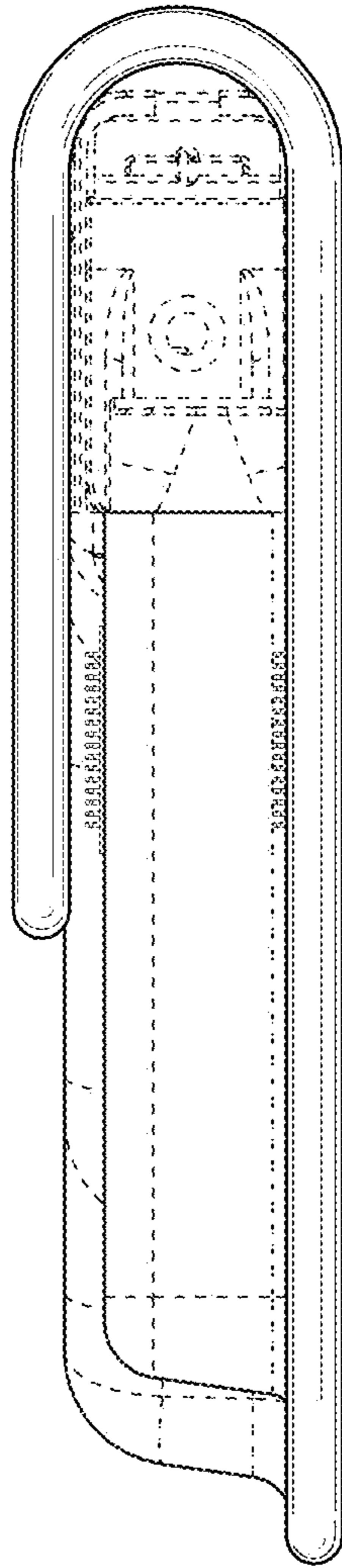


FIG. 28

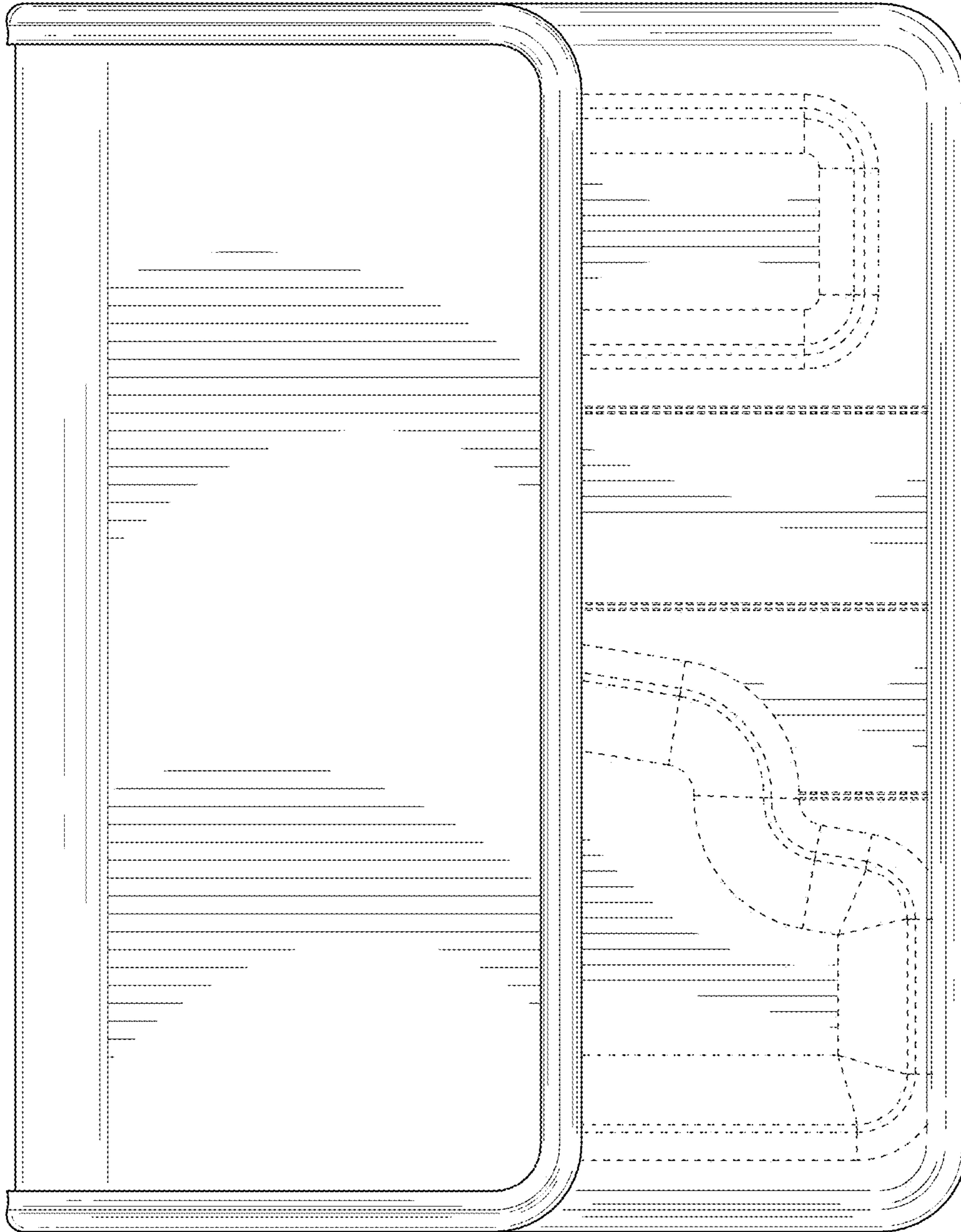


FIG. 29

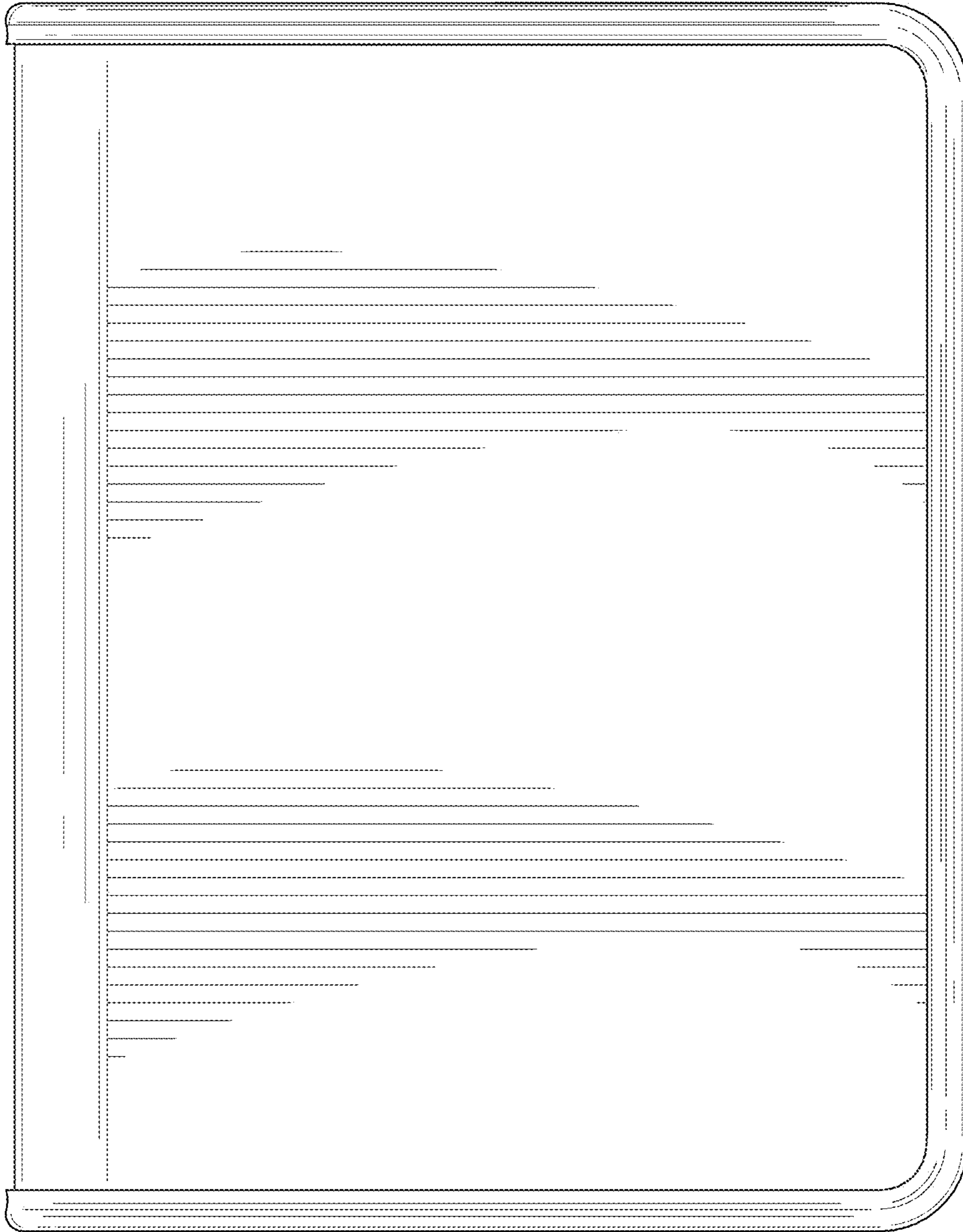


FIG. 30



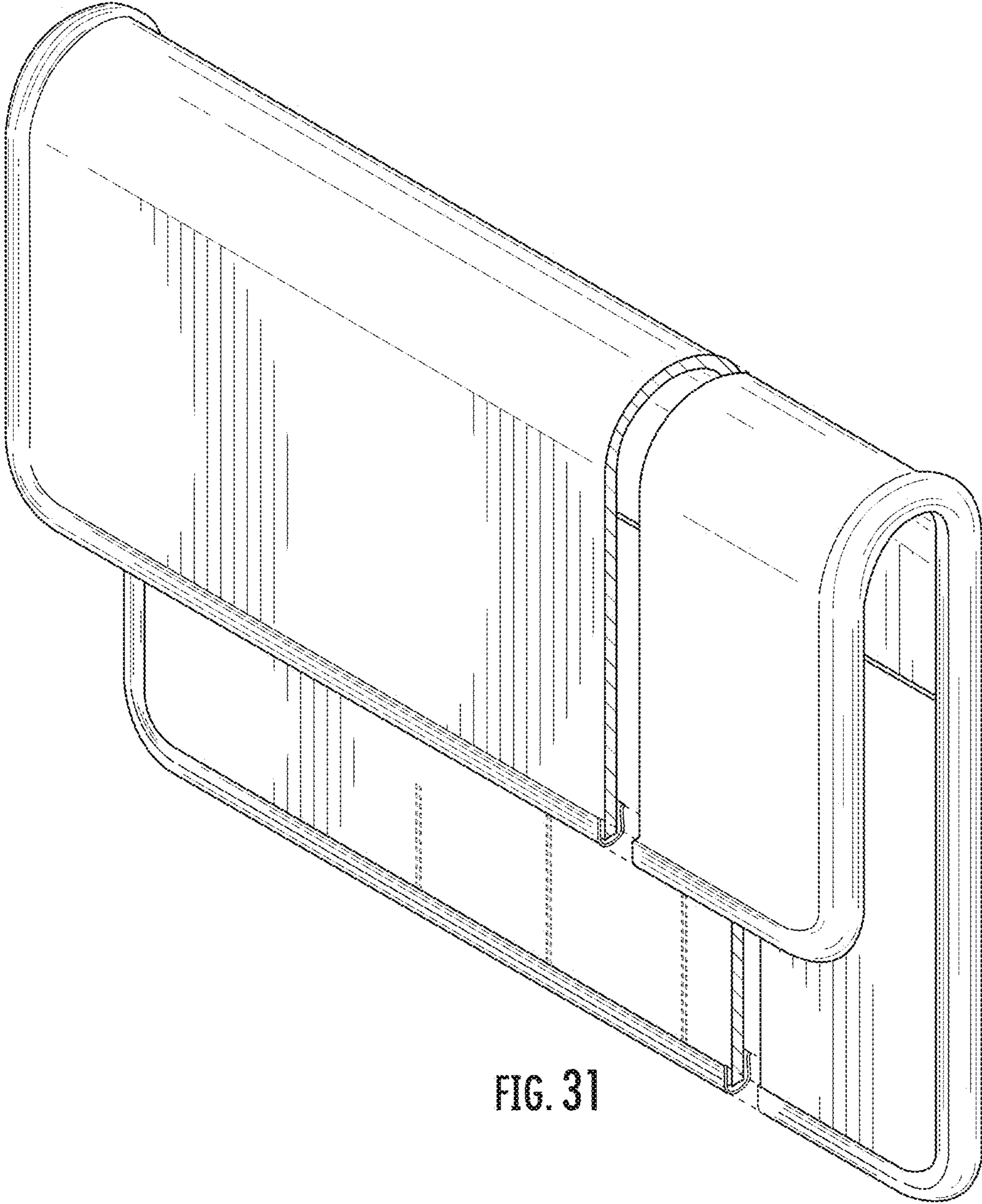


FIG. 31

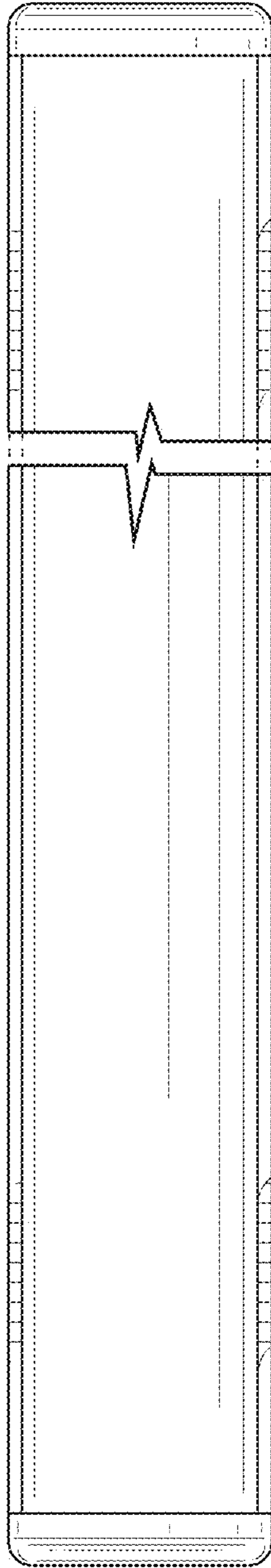


FIG. 32

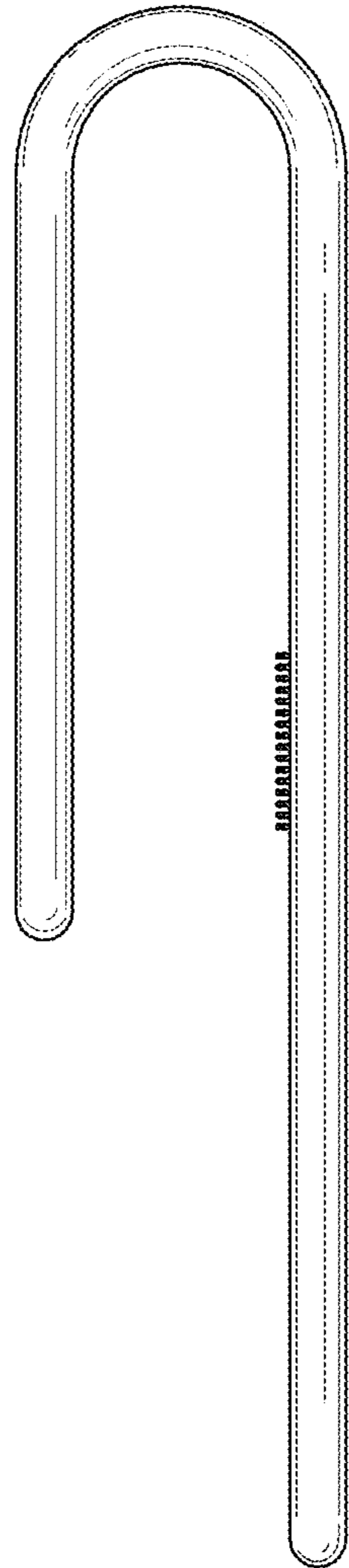


FIG. 33

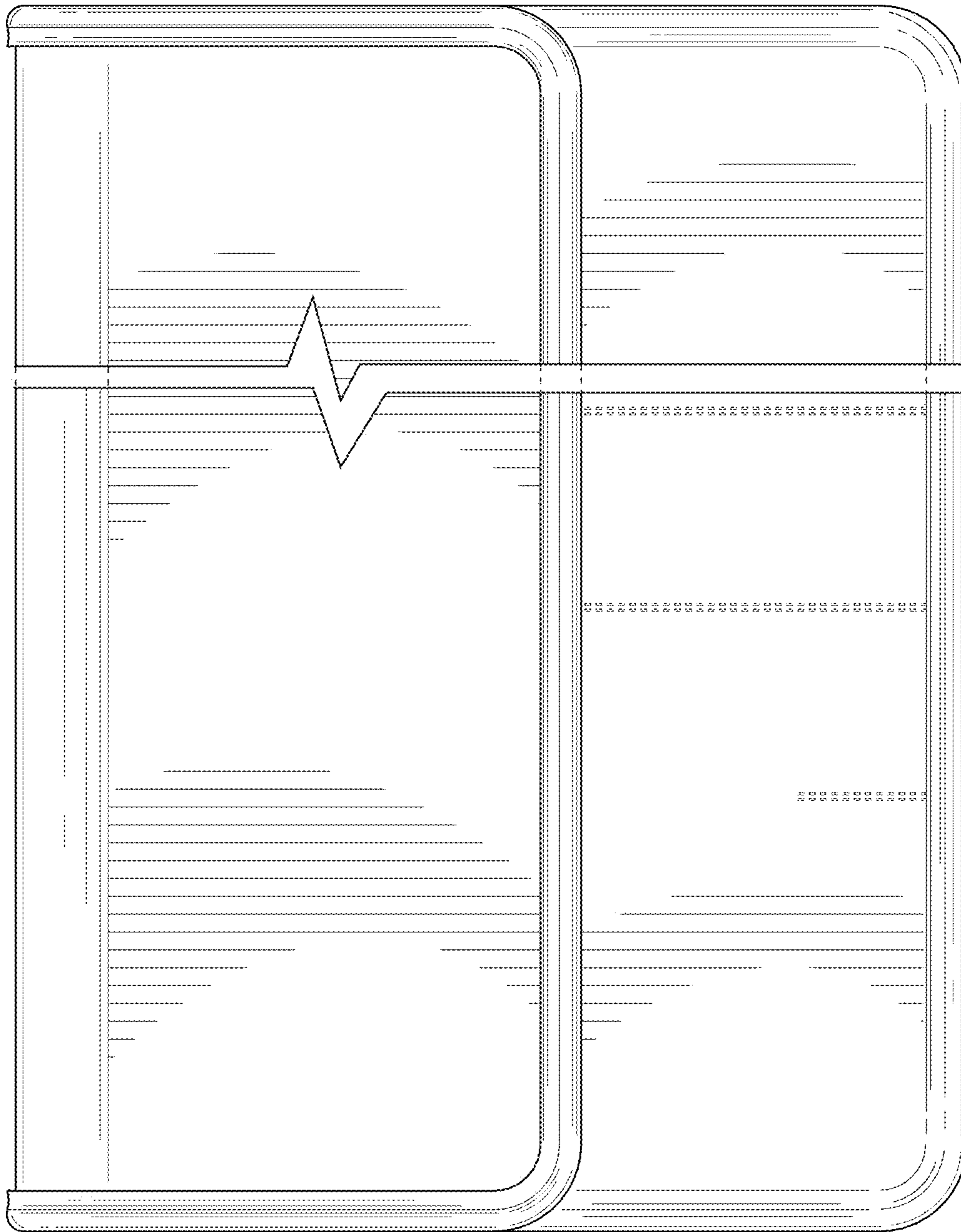


FIG. 34



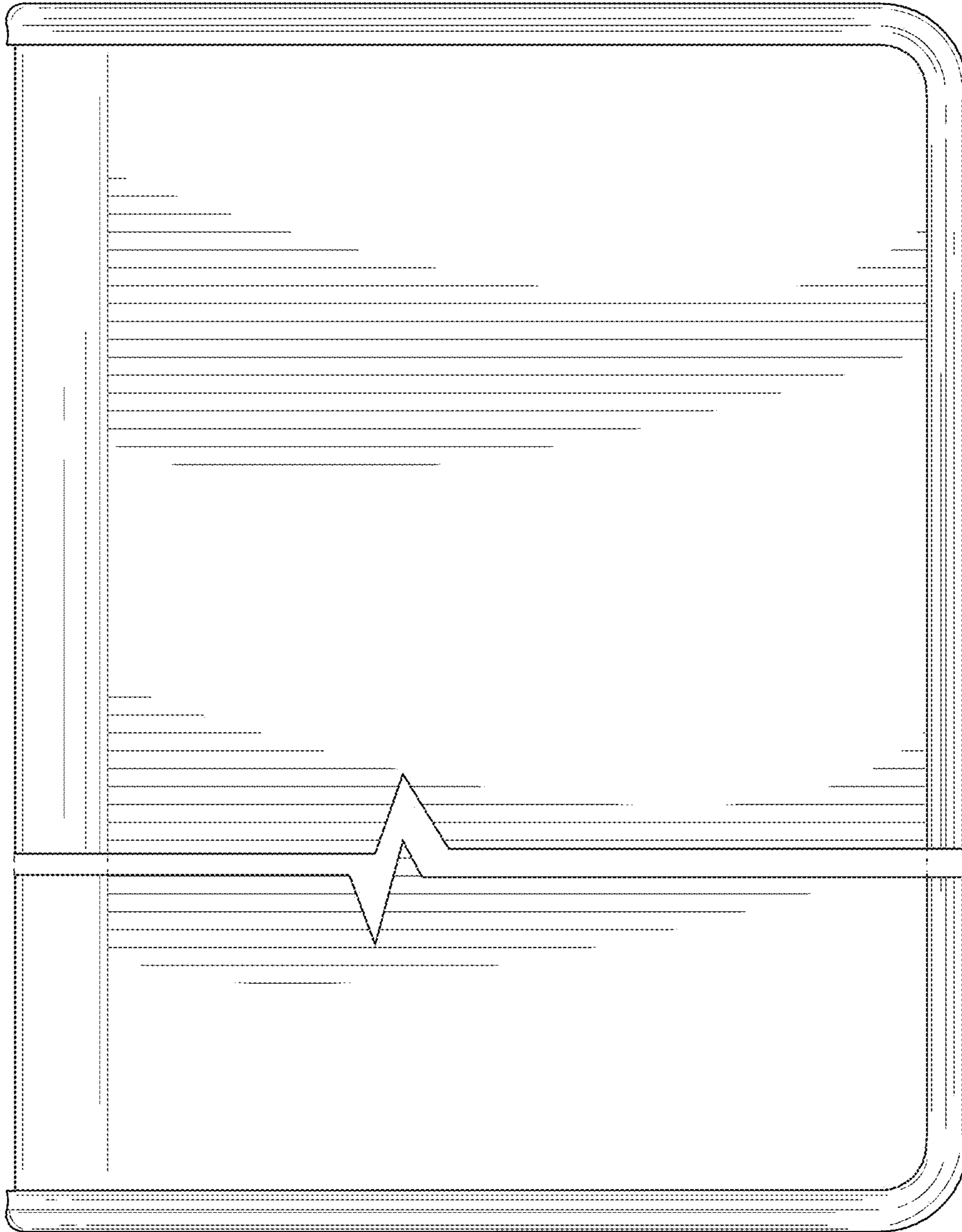


FIG. 35