



US00D907355S

(12) **United States Design Patent** (10) **Patent No.:** **US D907,355 S**
Akin et al. (45) **Date of Patent:** **** *Jan. 12, 2021**

(54) **UMBRELLA WITH SOLAR PANELS**

(56) **References Cited**

(71) Applicant: **ZON**, El Segundo, CA (US)

U.S. PATENT DOCUMENTS

(72) Inventors: **Sarah Akin**, Manhattan Beach, CA (US); **David Johnson**, San Francisco, CA (US)

127,702 A	1/1872	Nash	
1,241,166 A	1/1917	Swenson	
2,031,466 A	2/1936	Criqui	
D151,655 S	11/1948	Preaus	
D306,093 S	2/1990	Lerch	
5,143,107 A *	9/1992	Kelley A45B 3/00 135/16

(73) Assignee: **ZON**, Redondo Beach, CA (US)

(Continued)

(*) Notice: This patent is subject to a terminal disclaimer.

FOREIGN PATENT DOCUMENTS

(**) Term: **15 Years**

CN	302500131	7/2013
JP	D1246398	8/2005

(Continued)

(21) Appl. No.: **29/691,219**

OTHER PUBLICATIONS

(22) Filed: **May 14, 2019**

SolProX: Solar Powered Umbrella, Announced Feb. 28, 2013, [Site Visited Apr. 27, 2016] <http://www.solprox.com/>.

(Continued)

Related U.S. Application Data

(63) Continuation of application No. 29/583,773, filed on Nov. 8, 2016, now Pat. No. Des. 848,140, which is a continuation of application No. 29/499,274, filed on Aug. 13, 2014, now Pat. No. Des. 770,757, which is a continuation of application No. 29/487,288, filed on Apr. 7, 2014, now Pat. No. Des. 770,756.

Primary Examiner — Steven J Czyz

(74) *Attorney, Agent, or Firm* — Aka Chan LLP

(57)

CLAIM

The ornamental design for an umbrella with solar panels, as shown and described.

DESCRIPTION

(51) **LOC (13) Cl.** **03-03**

(52) **U.S. Cl.**
USPC **D3/5**

(58) **Field of Classification Search**
USPC D3/5, 6, 10; D13/102, 118, 199; D21/839
CPC A45B 11/00; A45B 17/00; A45B 19/00; A45B 23/00; A45B 2023/0012; A45B 25/00; A45B 2025/003; A45B 2200/10; A45B 2200/1009; A45B 2200/1027; H02J 7/0047; H02J 7/35

FIG. 1 shows a perspective view of an umbrella with solar panels;

FIG. 2 shows a top view thereof;

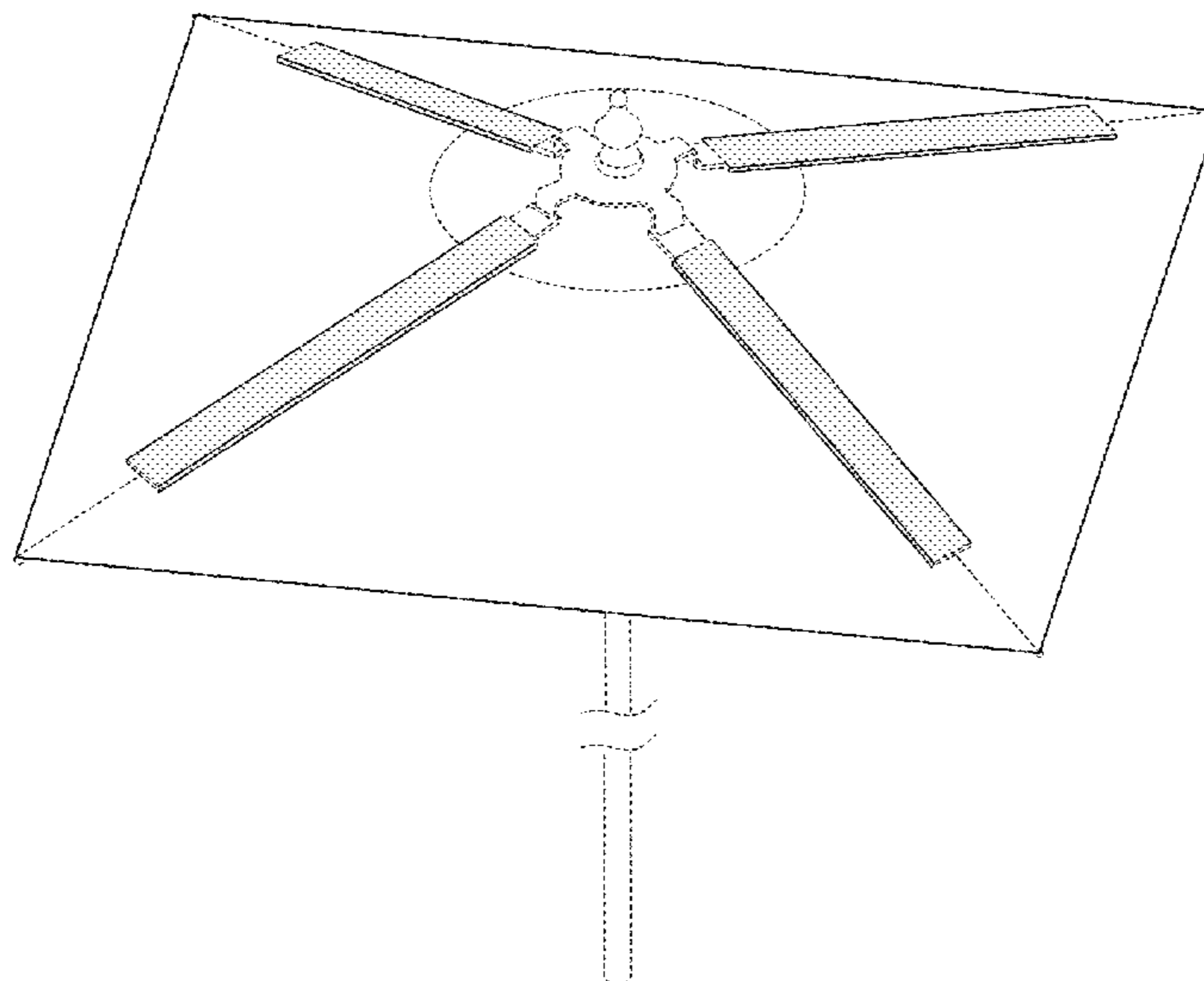
FIG. 3 shows a side view thereof; and,

FIG. 4 shows a side view of the umbrella with solar panels, shown in a closed position.

The broken line showing is included for the purpose of illustrating environment and forms no part of the claimed design. The gray shading in the figures is surface shading that indicates claimed subject matter. The broken lines and unshaded surfaces form no part of the claimed design.

See application file for complete search history.

1 Claim, 4 Drawing Sheets



(56)

References Cited

U.S. PATENT DOCUMENTS

D330,031 S 10/1992 Bohanon, Sr.
D336,982 S 7/1993 Johnson et al.
D341,831 S * 11/1993 Mozdzanowski D14/168
5,273,062 A * 12/1993 Mozdzanowski A45B 3/00
135/16
D345,645 S 4/1994 Good
5,318,055 A * 6/1994 Olaniyan A45B 11/02
135/16
D349,336 S 8/1994 Tsuji
D349,397 S 8/1994 Peng
5,349,975 A * 9/1994 Valdner A45B 3/00
135/16
D372,156 S 7/1996 Botsford
D373,465 S 9/1996 Chipman
D373,467 S 9/1996 Chipman
D373,468 S 9/1996 Dubinsky
D396,741 S 8/1998 Vitali et al.
5,868,152 A * 2/1999 Brown A45B 3/00
135/19
D418,671 S 1/2000 Tsai
D443,409 S 6/2001 Pilz et al.
D460,549 S 7/2002 Sonneman
D482,117 S 11/2003 Friedes
D485,347 S 1/2004 Bucher et al.
6,830,058 B2 12/2004 Li
6,837,255 B2 * 1/2005 Bunch A45B 3/04
135/16
6,923,058 B2 8/2005 Nieman et al.
6,923,194 B2 * 8/2005 Li A45B 3/00
135/16
D510,426 S 10/2005 Garcia, Jr.
D510,624 S 10/2005 Graham
7,000,624 B2 * 2/2006 Chang A45B 3/04
135/16
7,013,903 B2 3/2006 Li
D527,097 S 8/2006 Ertze
D530,269 S 10/2006 Fowler et al.
D561,460 S 2/2008 Peterson
D566,258 S 4/2008 Bucher et al.
D592,371 S 5/2009 Dellinger
D594,551 S 6/2009 Parker et al.
D597,198 S 7/2009 Parker et al.
7,562,667 B2 * 7/2009 Li A45B 3/04
135/21
D599,469 S 9/2009 Yang
D600,200 S * 9/2009 Dimov D13/102
7,661,836 B1 * 2/2010 Naranjo A45B 3/04
362/102
D615,183 S 5/2010 Parker et al.
D627,148 S 11/2010 Quinn
D628,687 S 12/2010 Yao
D649,303 S 11/2011 Falk
D655,531 S 3/2012 Gharst
D660,953 S 5/2012 Allen et al.
D668,443 S * 10/2012 Sims, II D3/5
8,360,079 B2 1/2013 Li
D680,949 S * 4/2013 Swatek D13/102
D681,548 S 5/2013 Zhang et al.
D686,980 S 7/2013 Fallon
8,497,656 B2 * 7/2013 Portis, Jr. A45B 3/00
136/243
D688,621 S 8/2013 Mozzardi et al.
8,561,625 B2 * 10/2013 Chen A45B 11/00
135/20.3
D693,561 S * 11/2013 Akin D13/102
D693,562 S * 11/2013 Akin D13/102
D693,563 S * 11/2013 Akin D13/102
D701,828 S 4/2014 Garrett-schesch
D701,829 S 4/2014 Garrett-schesch
D702,037 S * 4/2014 Akin D13/102
8,695,614 B2 * 4/2014 Chaimovski A45B 23/00
135/16
D703,939 S * 5/2014 Akin D13/102

D706,026 S * 6/2014 Akin D13/102
D712,533 S 9/2014 Allen et al.
D719,252 S 9/2014 Allen et al.
D724,524 S 3/2015 Garrett-schesch
D727,253 S * 4/2015 Presley D13/102
D728,466 S * 5/2015 Ehram D13/102
9,088,181 B2 * 7/2015 Akin A45B 23/00
9,125,462 B2 * 9/2015 Akin B23P 15/26
D748,905 S * 2/2016 Akin D13/102
D749,313 S * 2/2016 Akin D13/102
D758,062 S * 6/2016 Akin D13/102
D758,298 S * 6/2016 Akin D13/102
D763,787 S 8/2016 Parilla et al.
D769,808 S 10/2016 Derkacs et al.
D770,756 S * 11/2016 Akin D3/5
D770,757 S * 11/2016 Akin D3/10
D772,802 S 11/2016 Haas et al.
D772,803 S 11/2016 Haas et al.
D779,810 S * 2/2017 Akin D13/102
9,706,834 B1 * 7/2017 Taylor A45B 23/00
D799,199 S * 10/2017 Akin D3/10
9,820,540 B2 * 11/2017 Pan A45B 25/00
D813,154 S * 3/2018 Akin D13/102
D818,258 S * 5/2018 Akin D3/5
10,010,143 B2 * 7/2018 Kong A45B 3/04
10,045,613 B2 * 8/2018 Wei A47B 37/04
10,051,931 B2 * 8/2018 Zadie A45B 3/04
10,153,656 B2 * 12/2018 Volin H02J 7/35
10,159,316 B2 * 12/2018 Gharabegian A45B 23/00
D840,671 S * 2/2019 Akin D3/5
10,250,817 B2 * 4/2019 Gharabegian H04N 5/247
D848,140 S * 5/2019 Akin D3/10
D850,093 S * 6/2019 Akin D3/5
10,306,959 B2 * 6/2019 Rosedale A45B 23/00
2003/0000559 A1 1/2003 Wu
2004/0228118 A1 11/2004 Peterson
2005/0121063 A1 6/2005 Chang
2005/0161067 A1 7/2005 Hollins
2007/0283987 A1 12/2007 Reyes et al.
2009/0007958 A1 1/2009 Ho et al.
2009/0058354 A1 3/2009 Harrison
2010/0154786 A1 6/2010 Li
2010/0180922 A1 7/2010 McKenna
2011/0232704 A1 9/2011 Li
2011/0265694 A1 11/2011 Portis et al.
2011/0291607 A1 12/2011 Rossi et al.
2012/0162929 A1 6/2012 Huang
2014/0009103 A1 1/2014 Nita
2014/0028242 A1 * 1/2014 Akin A45B 23/00
320/101
2014/0144490 A1 5/2014 Richardson
2015/0216273 A1 * 8/2015 Akin B23P 15/26
135/16
2017/0055653 A1 3/2017 Pan et al.

FOREIGN PATENT DOCUMENTS

JP D1442286 6/2012
JP 1469397 5/2013
JP D1486427 12/2013

OTHER PUBLICATIONS

Solar Paneled Umbrella Will Charge your Gadgets While You hang in the Sun, Announced May 28, 2009, [Site Visited Apr. 27, 2016] <http://www.engadget.com/2009/05/28/solar-paneled-umbrella-will-charge-your-gadgets-while-you-hang-i/>.
Wind Turbines with Solar Panel—Wind Energy, Announced Apr. 20, 2013, [Site Visited Apr. 27, 2016] <http://easywindenergy.blogspot.com/2013/04/wind-turbines-with-solar-panel.htm>.
Wind Energy: Wind Turbines with Solar Panel, Announced Apr. 30, 2013, [Site Visited Sep. 16, 2015] <http://easywindenergy.blogspot.com/2013/04/wind-turbines-with-solar-panel.html>.

* cited by examiner

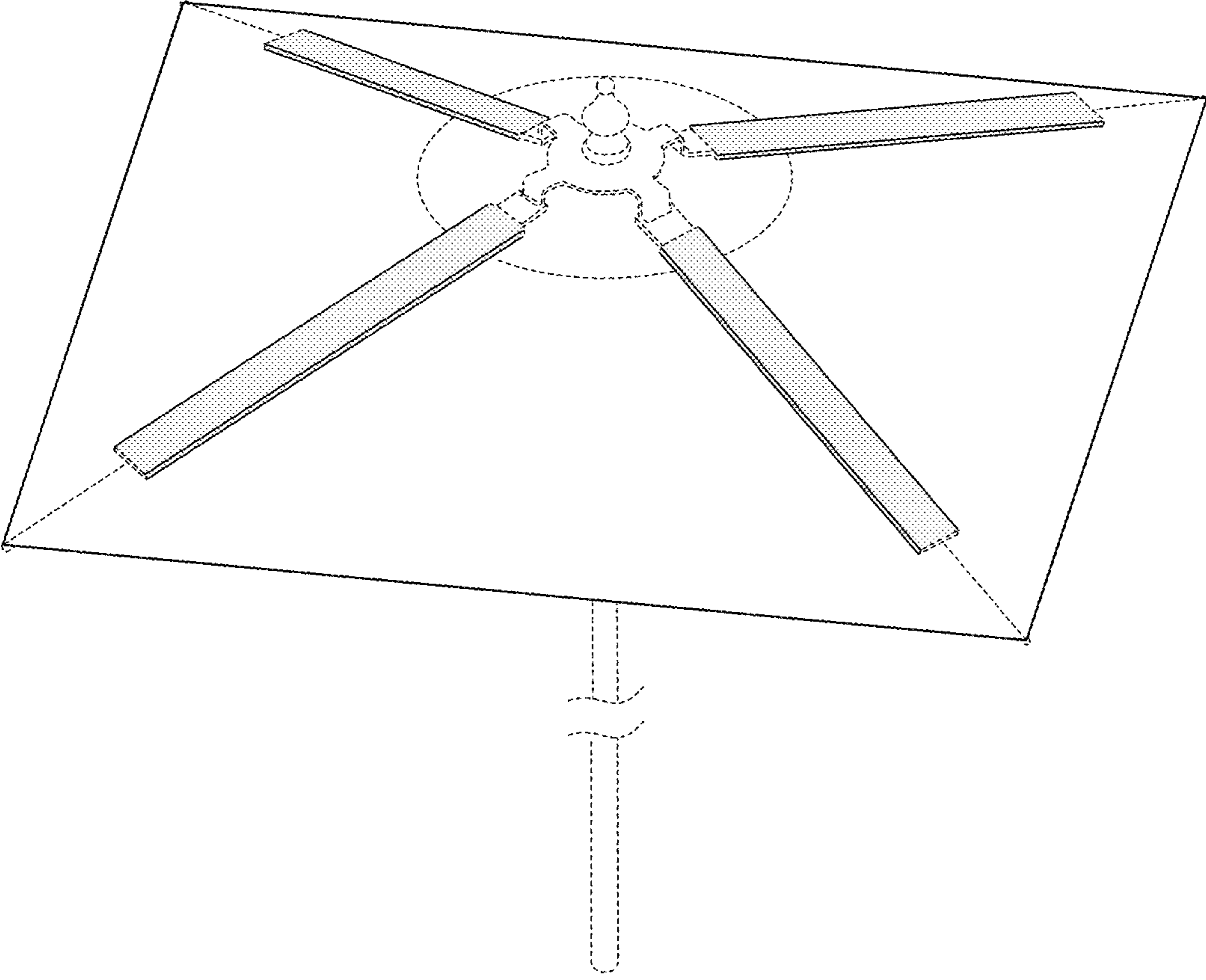


FIG. 1

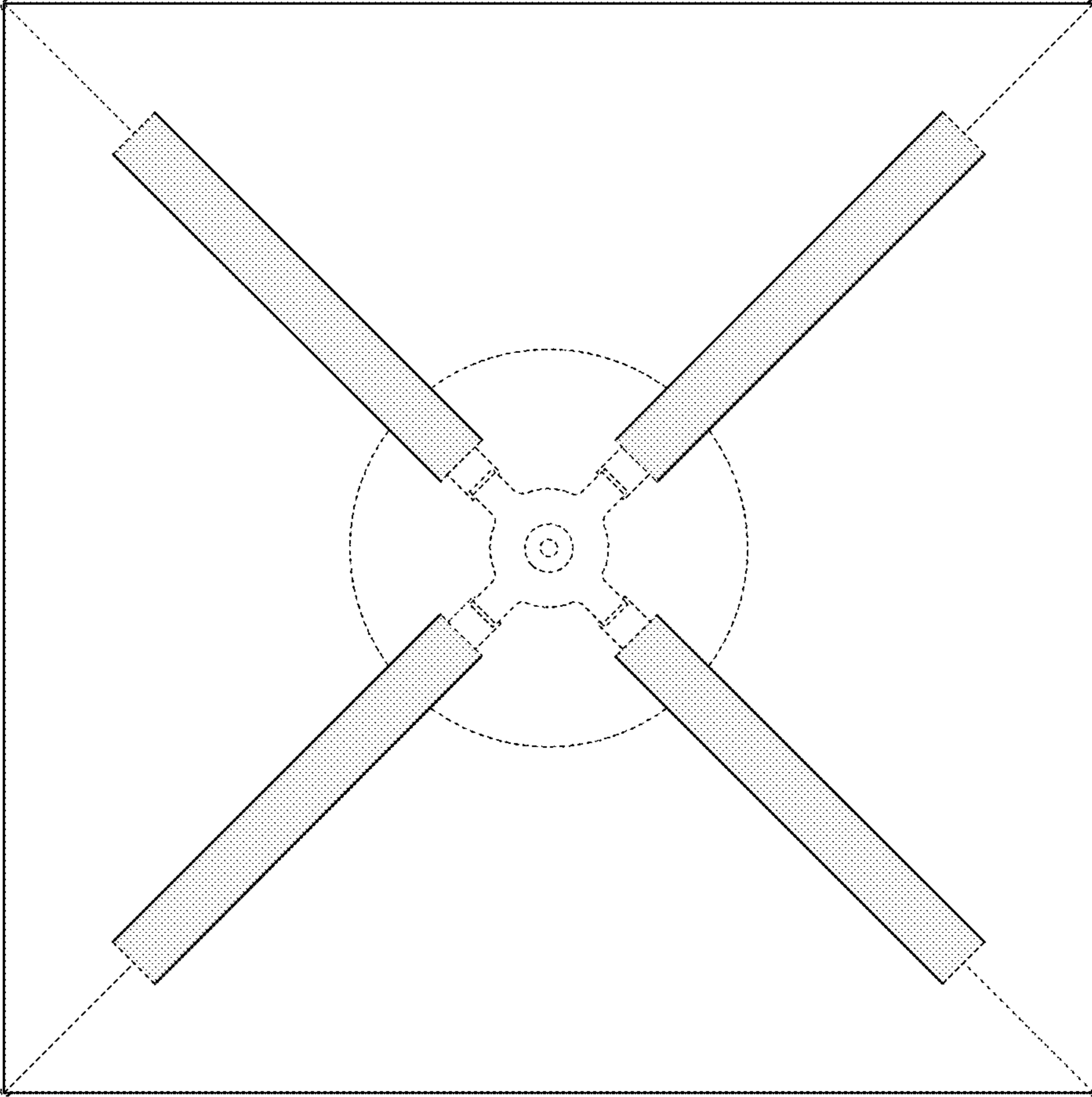


FIG. 2

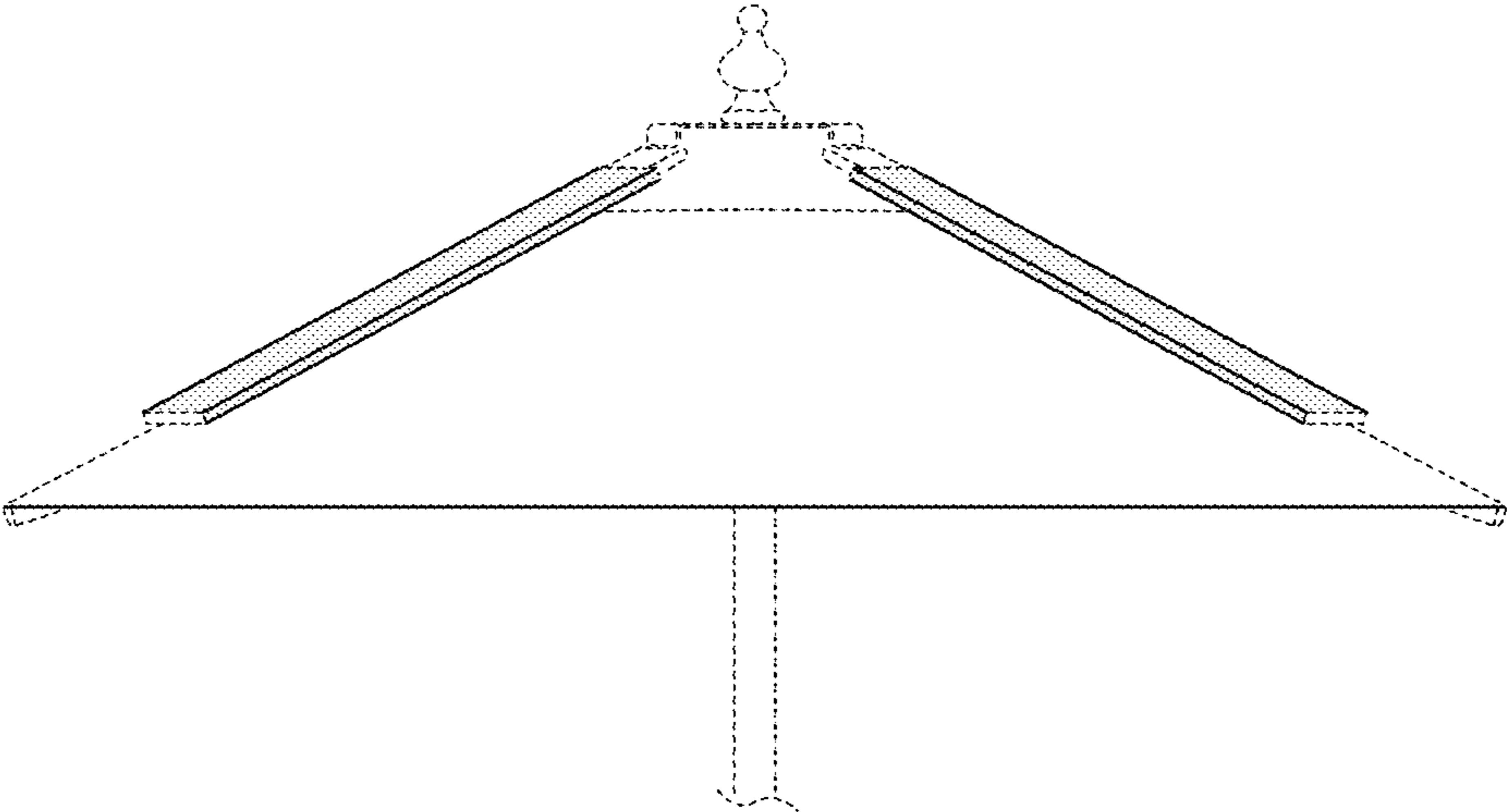


FIG. 3

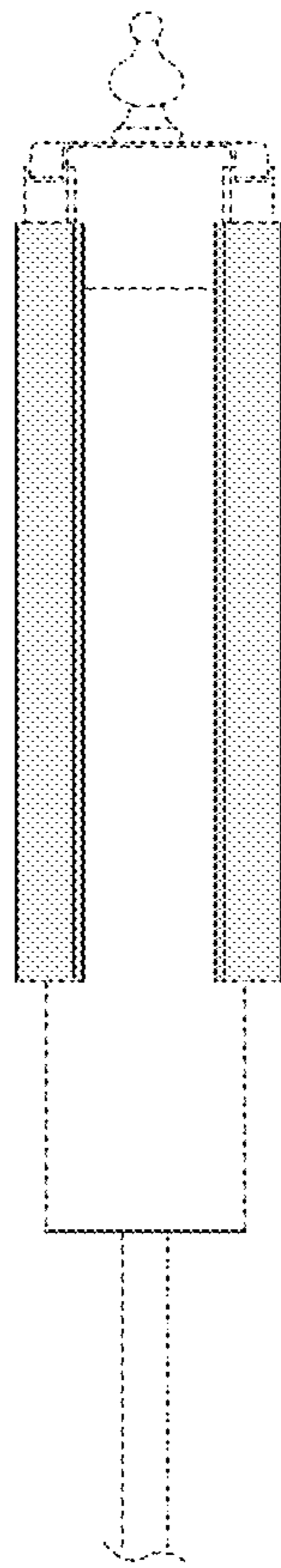


FIG. 4