



US00D907351S

(12) **United States Design Patent** (10) **Patent No.:** **US D907,351 S**
Wu (45) **Date of Patent:** **** Jan. 12, 2021**

(54) **SHOELACE BUCKLE**

(71) Applicant: **Zhen Wu**, Anhui (CN)

(72) Inventor: **Zhen Wu**, Anhui (CN)

(**) Term: **15 Years**

(21) Appl. No.: **29/685,360**

(22) Filed: **Mar. 28, 2019**

(51) **LOC (13) Cl.** **02-04**

(52) **U.S. Cl.**
USPC **D2/978**

(58) **Field of Classification Search**
USPC D2/896, 916-918, 946, 968, 969, 976,
D2/977, 978
CPC A43B 3/105; A43B 3/122; A43B 3/12;
A43B 9/00; A43B 23/28; A43C 11/08;
E05C 17/36
See application file for complete search history.

(56) **References Cited**

U.S. PATENT DOCUMENTS

| | | | | | |
|-----------|-----|---------|---------------|-------|-------------------------|
| 1,945,932 | A * | 2/1934 | Caley | | A45D 2/18 132/247 |
| 4,112,988 | A * | 9/1978 | Nelson | | B25B 23/101 24/16 PB |
| 5,467,507 | A * | 11/1995 | Marsh | | E05C 17/36 24/298 |
| D543,833 | S * | 6/2007 | Folk | | D8/349 |
| D641,708 | S * | 7/2011 | Yamauchi | | D13/154 |
| D665,160 | S * | 8/2012 | Little-Thomas | | D2/978 |
| D678,000 | S * | 3/2013 | Lee | | D7/669 |
| D686,909 | S * | 7/2013 | Frydlewski | | D8/394 |
| D719,341 | S * | 12/2014 | Lee | | D2/978 |

| | | | | | |
|--------------|------|---------|-------------|-------|-------------------------|
| D734,605 | S * | 7/2015 | Van Der Pol | | D2/978 |
| D736,514 | S * | 8/2015 | Lach | | D2/978 |
| D752,333 | S * | 3/2016 | Van Der Pol | | D2/978 |
| D769,609 | S * | 10/2016 | Rhymes | | D2/978 |
| D797,548 | S * | 9/2017 | Sola | | D8/383 |
| D807,630 | S * | 1/2018 | Robusti | | D2/972 |
| D838,467 | S * | 1/2019 | Hughes | | D2/978 |
| D869,145 | S * | 12/2019 | Luo | | D2/978 |
| 2006/0254089 | A1 * | 11/2006 | Frydlewski | | A43C 11/008 36/50.1 |
| 2013/0199020 | A1 * | 8/2013 | Frydlewski | | A43C 11/22 29/525.01 |
| 2016/0325897 | A1 * | 11/2016 | Kierstead | | B65D 63/1027 |
| 2016/0338455 | A1 * | 11/2016 | Chuan | | A45C 13/18 |
| 2016/0340093 | A1 * | 11/2016 | Muller | | B65D 63/00 |

* cited by examiner

Primary Examiner — Rashida C. Walshon

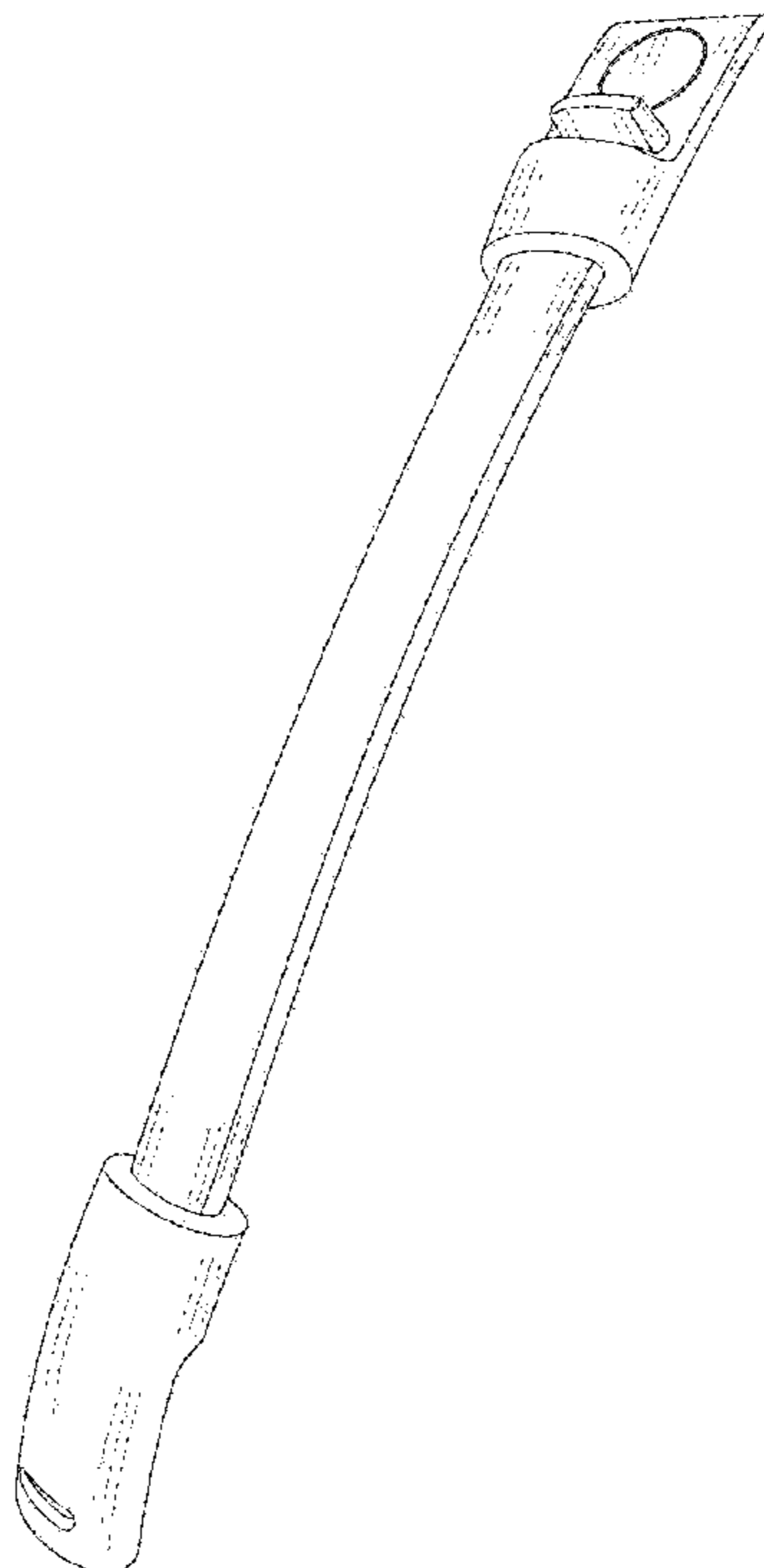
(57) **CLAIM**

The ornamental design for a shoelace buckle, as shown and described.

DESCRIPTION

FIG. 1 is a perspective view of a shoelace buckle showing my new design;
FIG. 2 is a front elevation view thereof;
FIG. 3 is a rear elevation view thereof;
FIG. 4 is a left side elevation view thereof;
FIG. 5 is a right side elevation view thereof;
FIG. 6 is a top plan view thereof, shown enlarged in scale;
FIG. 7 is a bottom plan view thereof, shown enlarged in scale; and,
FIG. 8 is the use state diagram, showing the state of being closed in use.

1 Claim, 8 Drawing Sheets



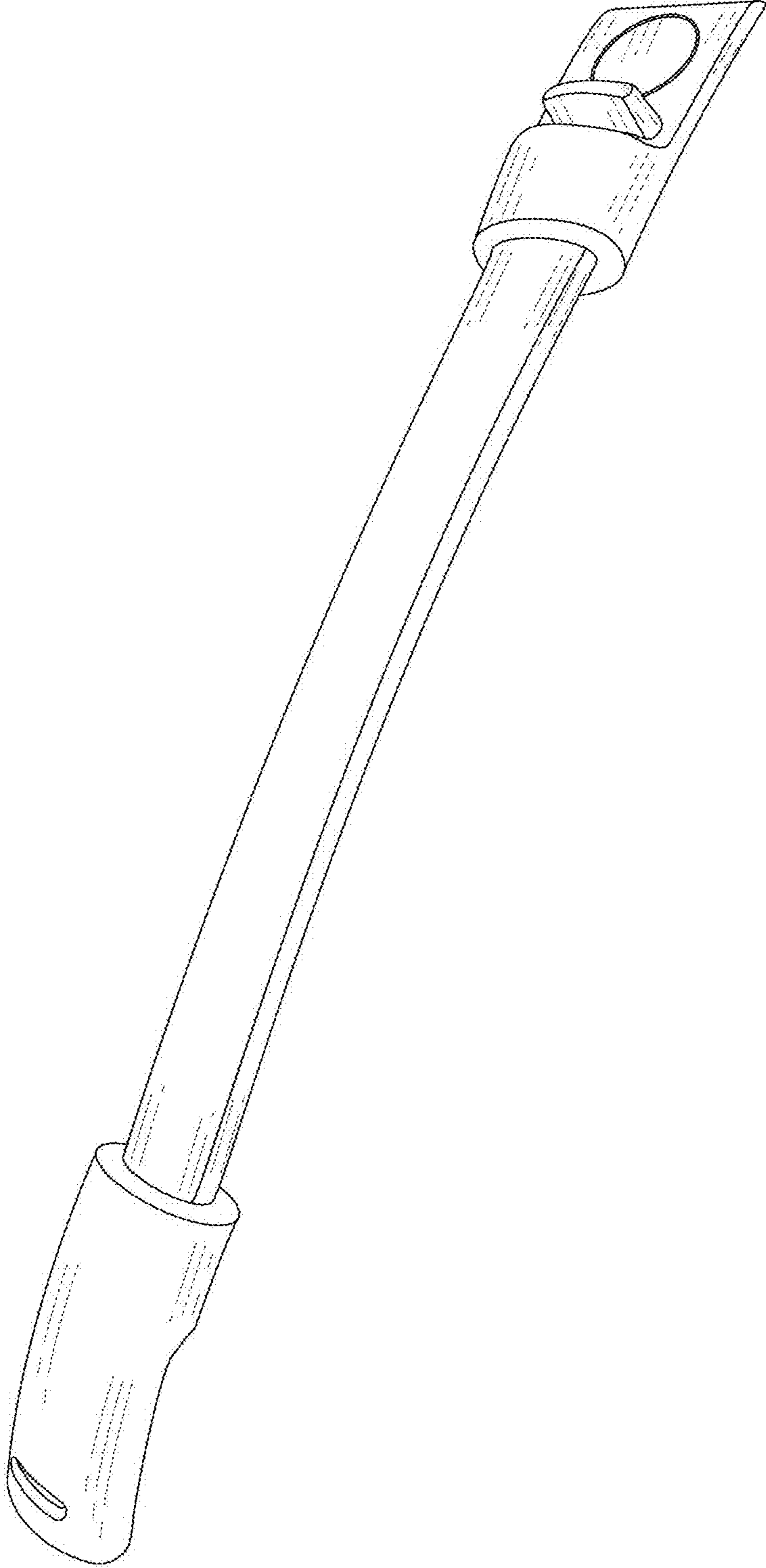


FIG.1

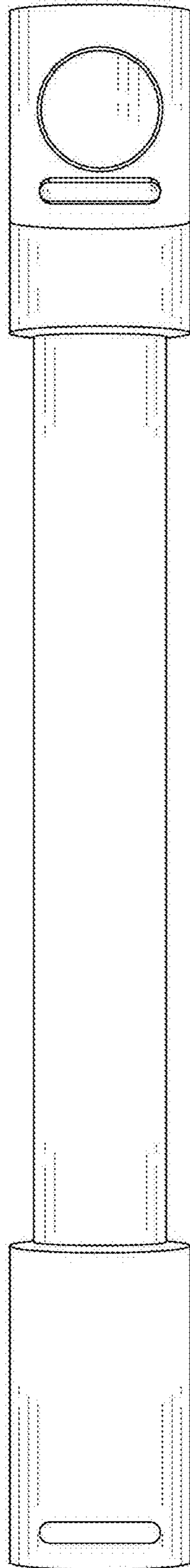


FIG.2

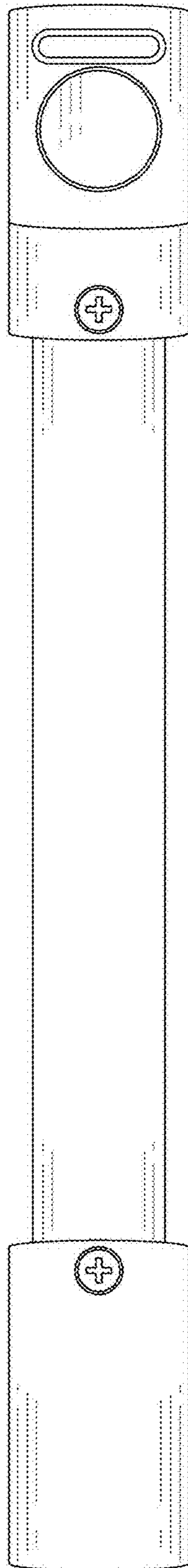


FIG.3

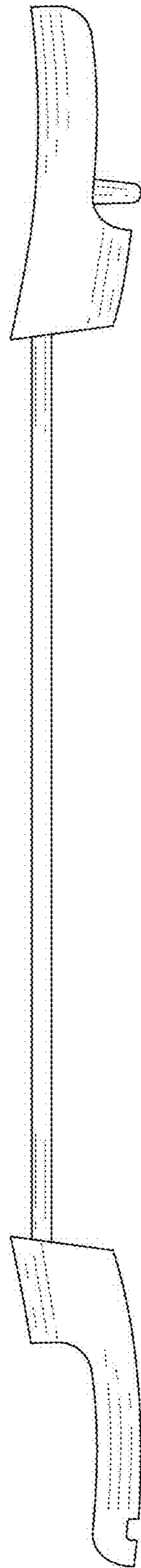


FIG.4

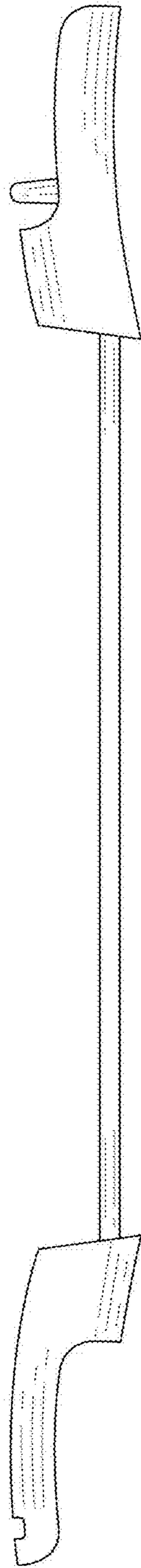


FIG.5

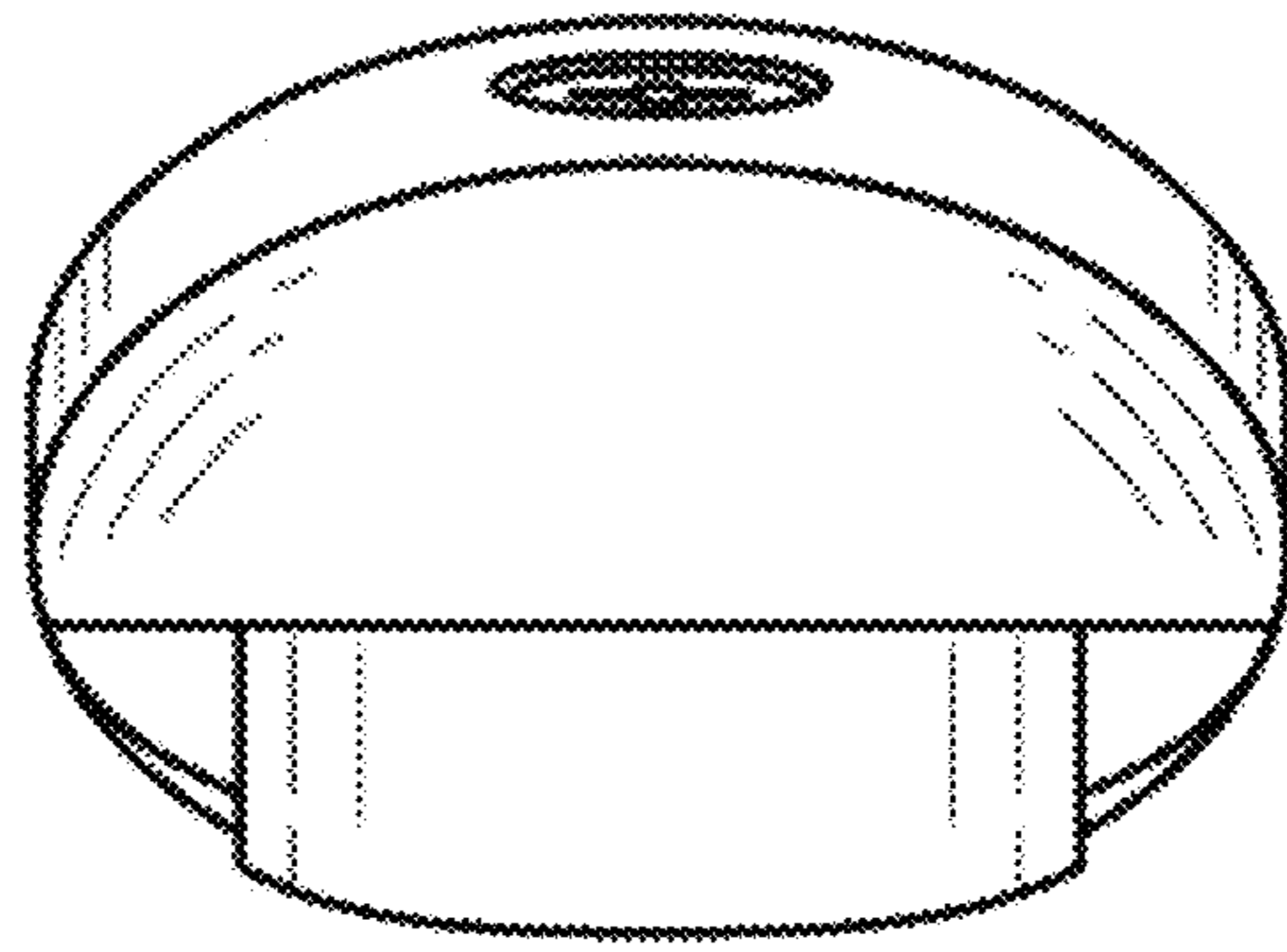


FIG.6

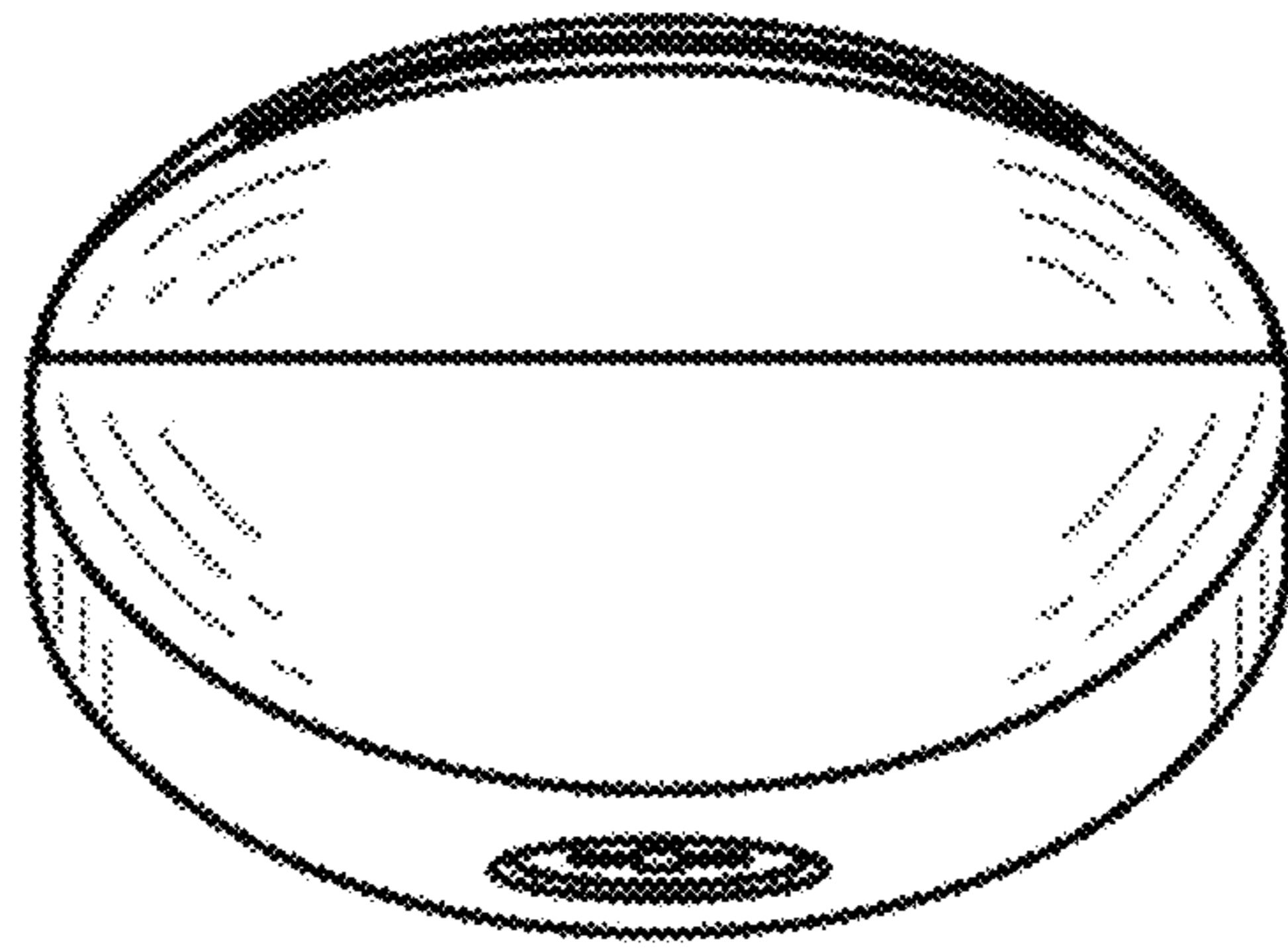


FIG.7

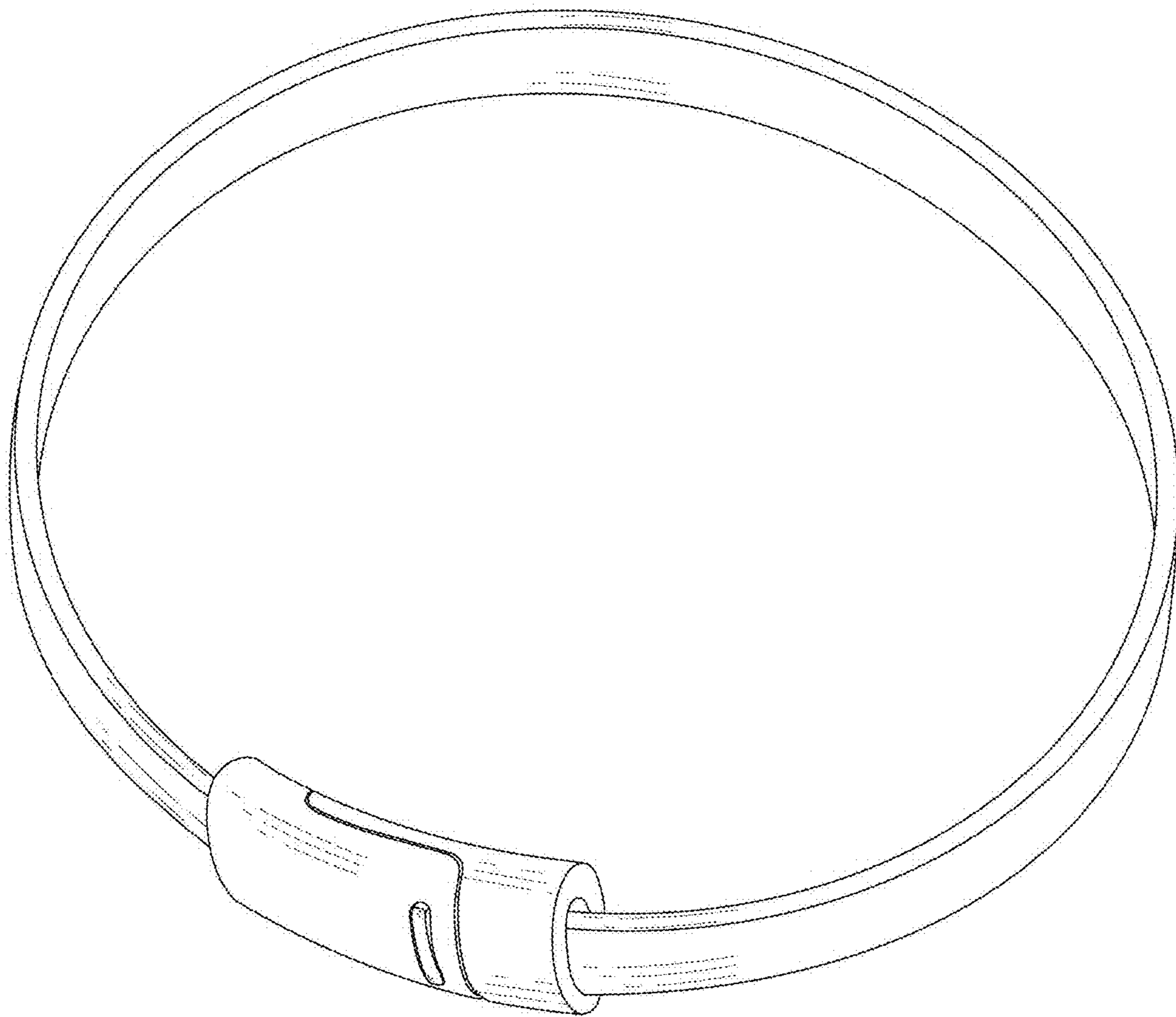


FIG. 8