



US00D907347S

(12) **United States Design Patent** (10) **Patent No.:** **US D907,347 S**  
**Natowich McPhee et al.** (45) **Date of Patent:** **\*\* Jan. 12, 2021**

(54) **SHOE SOLE**

(56) **References Cited**

(71) Applicant: **TBL Licensing LLC**, Stratham, NH (US)

U.S. PATENT DOCUMENTS

(72) Inventors: **Anna Regan Natowich McPhee**, Durham, NH (US); **Norman Gress**, Andover, MA (US)

4,808,469 A	2/1989	Hiles
D390,348 S	2/1998	Meyer et al.
D397,846 S	9/1998	Lozano
D397,848 S	9/1998	Avar
D401,040 S	11/1998	Schneider
D417,943 S	12/1999	Solaroli
D420,497 S	2/2000	Panella
D429,411 S	8/2000	Gillespie
D455,544 S	4/2002	Wilson
D461,946 S	8/2002	Burt
D468,517 S	1/2003	Recchi et al.
D483,554 S	12/2003	Burg et al.
D485,666 S	1/2004	Bray, Jr. et al.

(73) Assignee: **TBL Licensing LLC**, Stratham, NH (US)

(\*\*) Term: **15 Years**

(Continued)

(21) Appl. No.: **29/678,938**

(22) Filed: **Jan. 31, 2019**

OTHER PUBLICATIONS

Gress et al., U.S. Appl. No. 29/688,790, filed Apr. 24, 2019, titled "Shoe Sole".

(Continued)

**Related U.S. Application Data**

(62) Division of application No. 29/602,192, filed on Apr. 28, 2017, now Pat. No. Des. 843,098.

*Primary Examiner* — T Chase Nelson

(51) **LOC (13) Cl.** ..... **02-04**

(57) **CLAIM**

(52) **U.S. Cl.**

The ornamental design for a shoe sole, as shown and described.

USPC ..... **D2/960**; D2/951; D2/957

**DESCRIPTION**

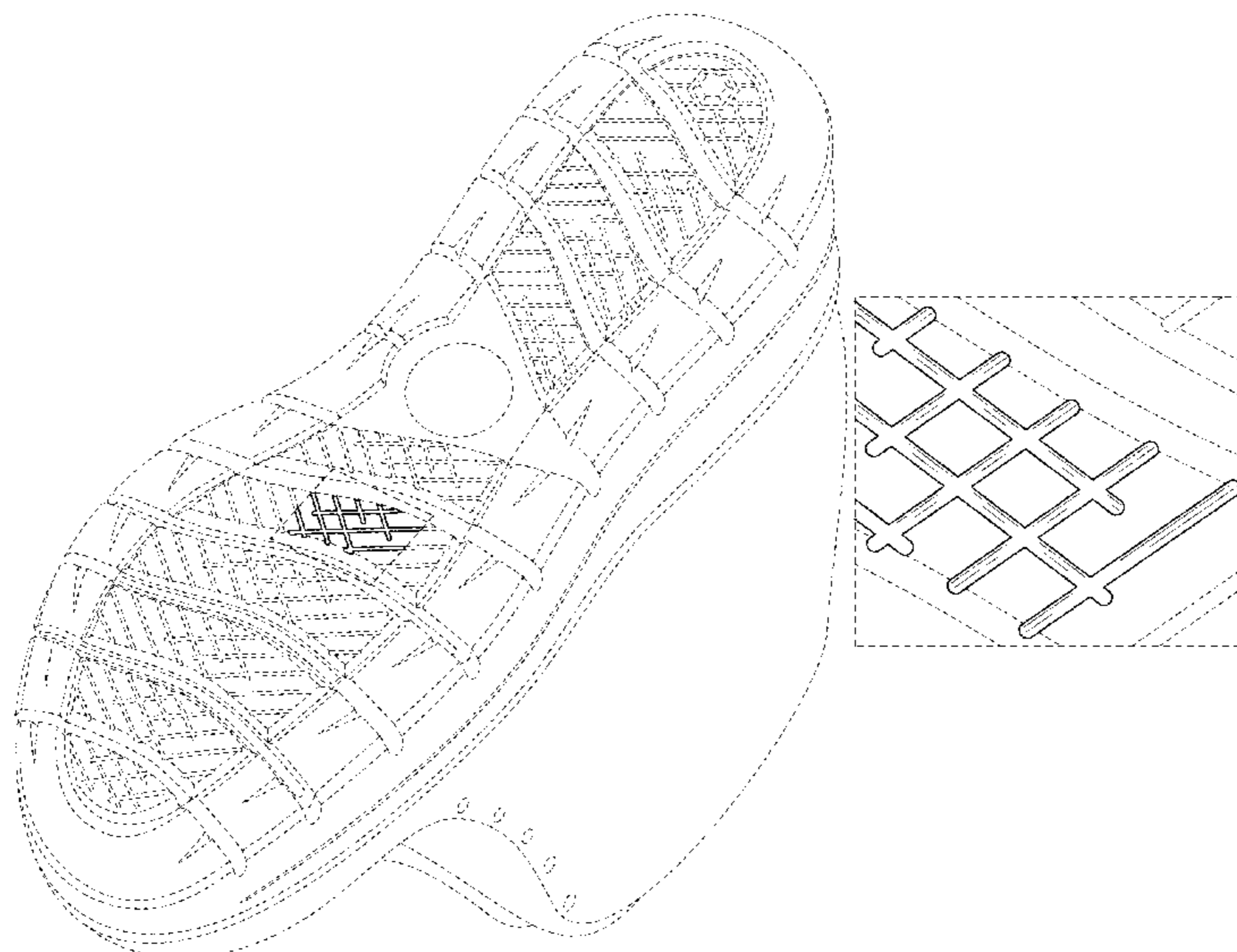
(58) **Field of Classification Search**

USPC ..... D2/902, 906, 908, 916, 918, 925, D2/946-962, 977; 36/3 B, 22 R, 24.5, 36/25 R, 28, 32 R, 34 R, 59 C, 67 A, 103  
CPC ..... A43B 13/00; A43B 13/02; A43B 13/023; A43B 13/026; A43B 13/04; A43B 13/08; A43B 13/10; A43B 13/12; A43B 13/14; A43B 13/141; A43B 13/143; A43B 13/16; A43B 13/18; A43B 13/181; A43B 13/187; A43B 13/189; A43B 13/20; A43B 13/22; A43B 13/223; A43B 13/24; A43B 13/28; A43B 13/30; A43B 13/32; A43B 13/34; A43B 13/36

FIG. 1 is bottom perspective view of a shoe sole according to a first embodiment of my design;  
FIG. 2 is a bottom view thereof;  
FIG. 3 is an enlarged view of the identified region of FIG. 2;  
FIG. 4 is bottom perspective view of a shoe sole according to a second embodiment of my design;  
FIG. 5 is a bottom view thereof; and,  
FIG. 6 is an enlarged view of the identified region of FIG. 5.  
The broken lines illustrate unclaimed environmental structure and form no part of the claimed design.

See application file for complete search history.

**1 Claim, 6 Drawing Sheets**



(56)

References Cited

U.S. PATENT DOCUMENTS

D507,096 S 7/2005 Chen  
 D531,788 S 11/2006 Rittberg  
 D532,585 S 11/2006 McDonald  
 D547,038 S 7/2007 Nakano  
 D553,835 S 10/2007 McClaskie  
 D591,943 S 5/2009 Recchi  
 D608,534 S 1/2010 Bullard  
 D695,505 S 12/2013 Hansen  
 D697,296 S 1/2014 Loyley  
 D699,026 S 2/2014 Stark  
 D717,527 S 11/2014 Truelsen  
 D724,829 S 3/2015 Lonigan  
 D740,004 S 10/2015 Hoellmueller et al.  
 D740,530 S 10/2015 Truelsen  
 D746,562 S 1/2016 Babcock  
 D755,492 S 5/2016 Bizzo  
 D759,360 S 6/2016 Zappiello  
 D759,953 S 6/2016 Cohn et al.  
 D770,744 S 11/2016 Escobar  
 D786,545 S 5/2017 Link  
 D789,056 S 6/2017 Tzenos  
 D795,547 S 8/2017 Winfield  
 D797,423 S 9/2017 Bischoff et al.  
 D802,267 S 11/2017 Bacon et al.  
 D802,895 S 11/2017 Hatfield  
 D802,897 S 11/2017 Howe  
 D808,138 S 1/2018 Monroy  
 D813,502 S \* 3/2018 Weidenbach Gerbase .... D2/902  
 D814,155 S \* 4/2018 Hernandez ..... D2/947  
 D814,755 S \* 4/2018 McManus ..... D2/957  
 D816,960 S 5/2018 Cin  
 D817,616 S 5/2018 Cin  
 D819,944 S \* 6/2018 Martin ..... D2/953  
 D820,570 S \* 6/2018 Mokos ..... D2/960  
 D821,078 S \* 6/2018 Galway ..... D2/960  
 D822,966 S \* 7/2018 Thompson ..... D2/953  
 D822,968 S \* 7/2018 Moranges ..... D2/957  
 D824,151 S \* 7/2018 Newman ..... D2/957  
 10,010,134 B2 \* 7/2018 Guyan ..... A43B 1/0009  
 D825,165 S \* 8/2018 Gibson ..... D2/960  
 10,111,493 B2 \* 10/2018 O'Connor ..... A43B 3/108  
 D837,499 S \* 1/2019 Maier ..... D2/960  
 D838,445 S \* 1/2019 Kalns ..... D2/912  
 D840,138 S \* 2/2019 Brown ..... D2/951  
 D841,960 S \* 3/2019 Chow ..... D2/957  
 D841,961 S \* 3/2019 Chow ..... D2/957  
 D843,098 S 3/2019 Natowich McPhee et al.  
 D845,595 S 4/2019 Swegle et al.  
 D845,600 S 4/2019 Evans

D847,478 S 5/2019 Fracassi  
 D850,081 S \* 6/2019 Nethongkome ..... D2/958  
 D851,885 S \* 6/2019 Sebastian ..... D2/960  
 D852,482 S \* 7/2019 Tao ..... D2/957  
 D852,485 S 7/2019 Gress et al.  
 D857,352 S \* 8/2019 Fu ..... D2/916  
 D869,136 S \* 12/2019 Natowich McPhee ..... D2/957  
 D872,445 S \* 1/2020 Lo ..... A43B 13/36  
 D879,442 S \* 3/2020 Fromholtz ..... A43B 13/18  
 D880,129 S \* 4/2020 Blauer ..... A43B 13/127  
 D881,542 S \* 4/2020 Lubart ..... A43B 13/188  
 D881,544 S \* 4/2020 Sebastian ..... A43B 7/081  
 D883,626 S \* 5/2020 Chagnon ..... A43B 13/181  
 10,653,207 B1 \* 5/2020 Ochipa ..... A43B 13/36  
 D886,419 S \* 6/2020 McGhee ..... A43B 13/026  
 D886,428 S \* 6/2020 Natowich McPhee .....  
 A43B 13/36  
 10,667,579 B2 \* 6/2020 Elder ..... A43B 3/26  
 2003/0093922 A1 5/2003 Delgorgue  
 2008/0229617 A1 9/2008 Johnson et al.  
 2011/0023215 A1 2/2011 Obradovic  
 2016/0219973 A1 8/2016 Cheney et al.  
 2017/0188655 A1 7/2017 Carlson et al.  
 2018/0092431 A1 \* 4/2018 Iuchi ..... A43B 13/026  
 2018/0192737 A1 \* 7/2018 Holmes ..... A43B 13/36  
 2018/0279720 A1 10/2018 Iuchi et al.  
 2018/0295935 A1 \* 10/2018 Giandolini ..... A43B 13/181  
 2019/0029364 A1 \* 1/2019 Lucca ..... A43B 13/127  
 2019/0069634 A1 \* 3/2019 Lucca ..... A43B 13/188  
 2019/0116921 A1 \* 4/2019 Park ..... A43B 7/081  
 2019/0365035 A1 \* 12/2019 Jenkins ..... A43B 13/18  
 2020/0187589 A1 \* 6/2020 Hopkins ..... A43B 11/00

OTHER PUBLICATIONS

Natowich McPhee et al., U.S. Appl. No. 29/602,192, filed Apr. 28, 2017, titled "Shoe Sole".  
 Natowich McPhee et al., U.S. Appl. No. 29/632,477, filed Jan. 8, 2018, titled "Shoe Sole".  
 Natowich McPhee et al., U.S. Appl. No. 29/632,488, filed Jan. 8, 2018, titled "Shoe Sole".

\* cited by examiner

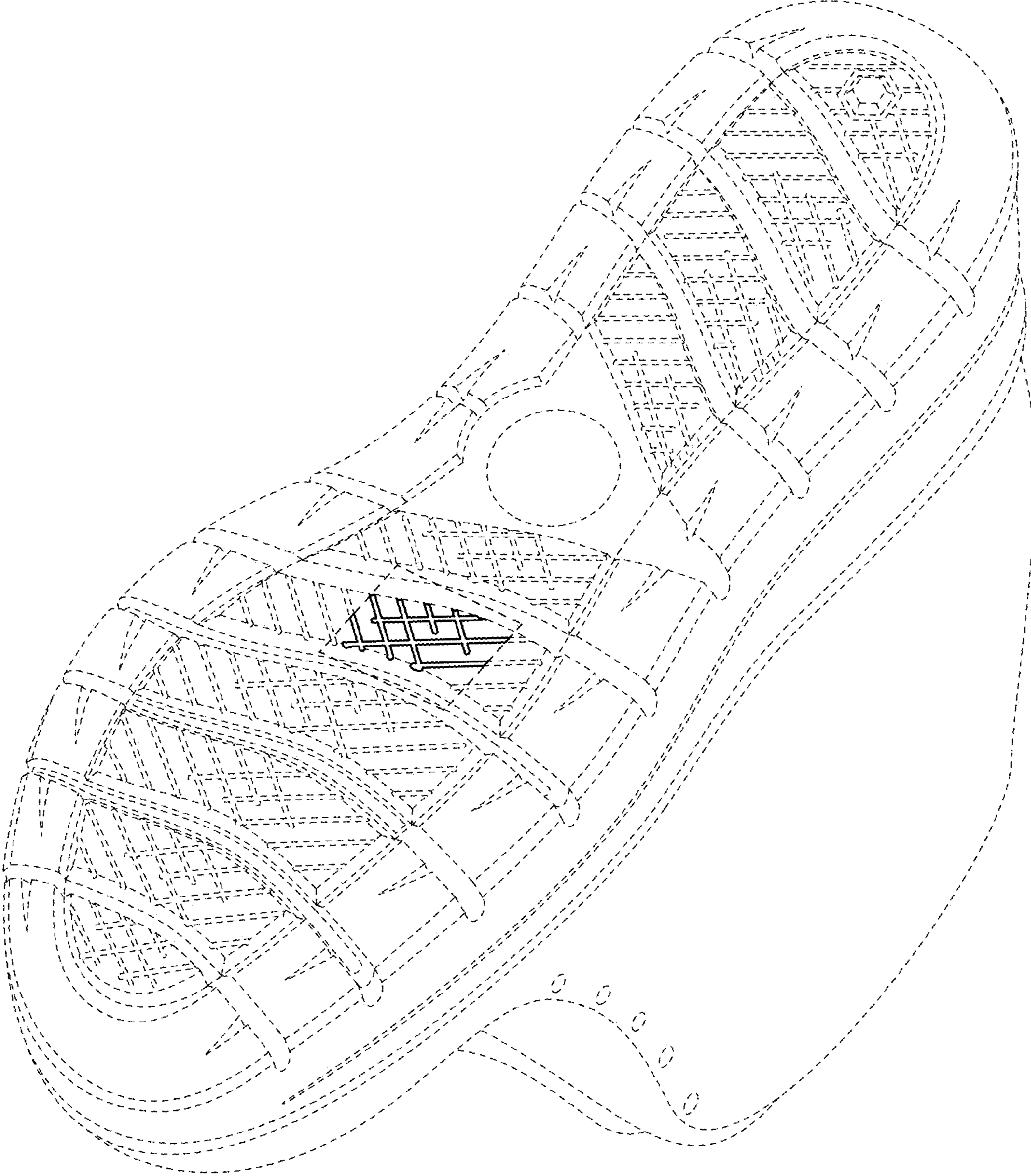


FIG. 1

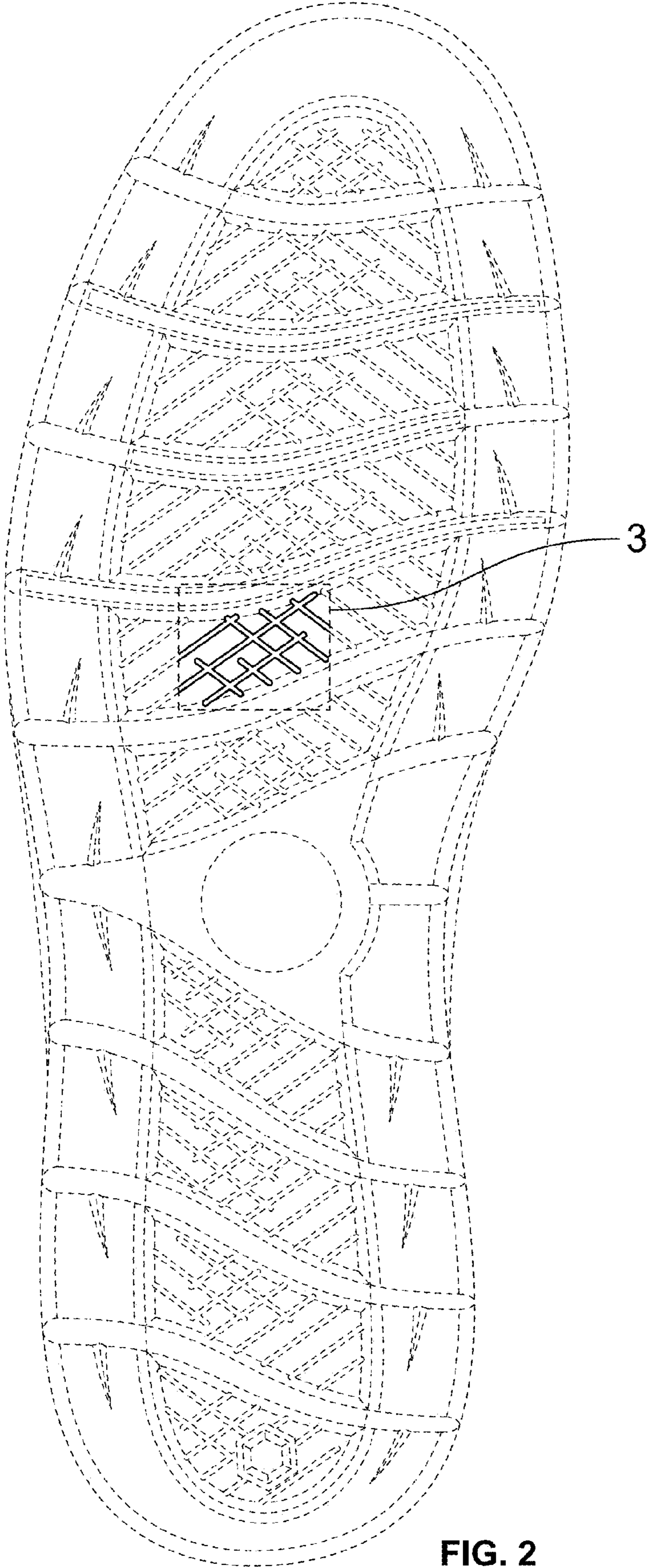


FIG. 2

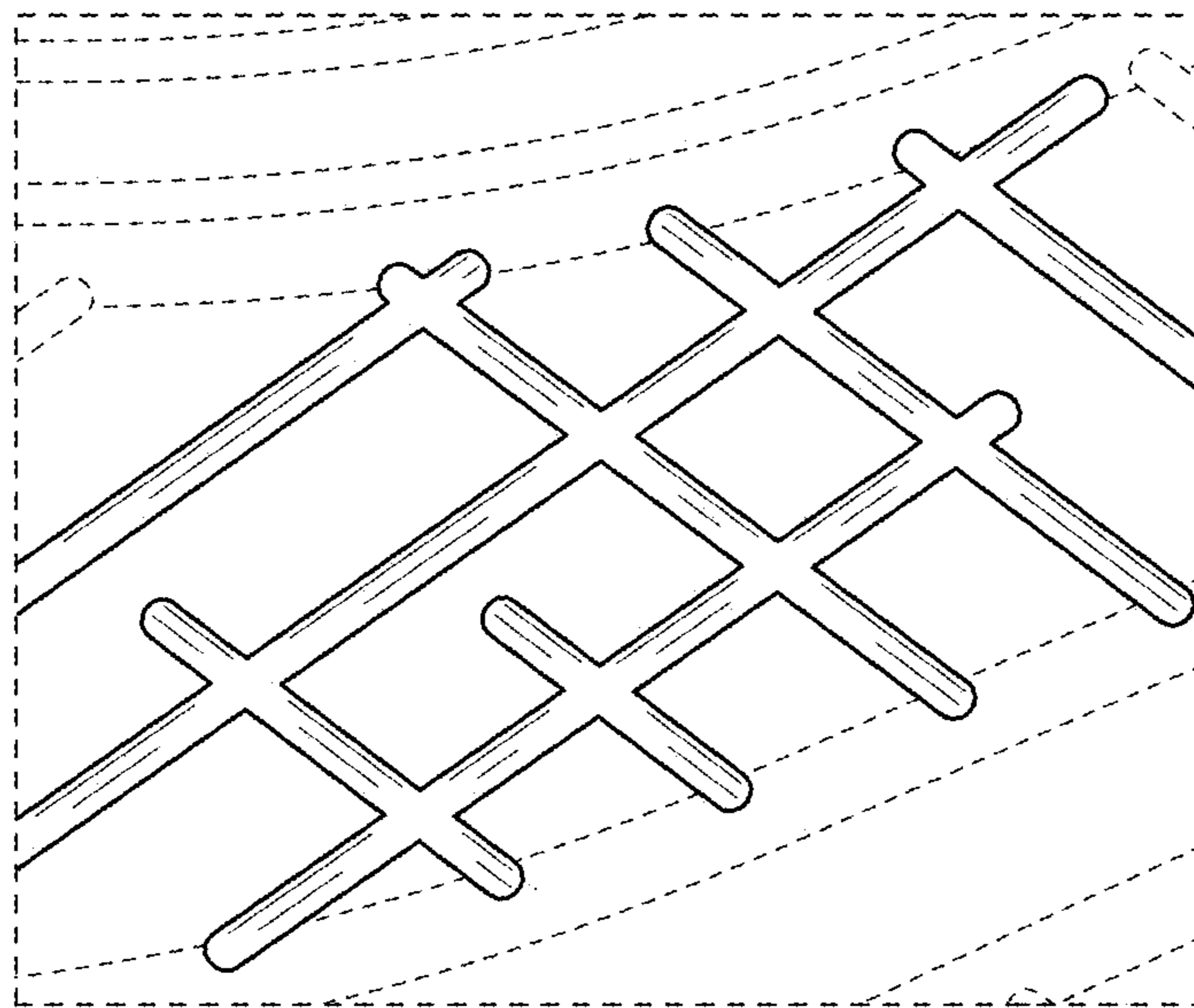


FIG. 3

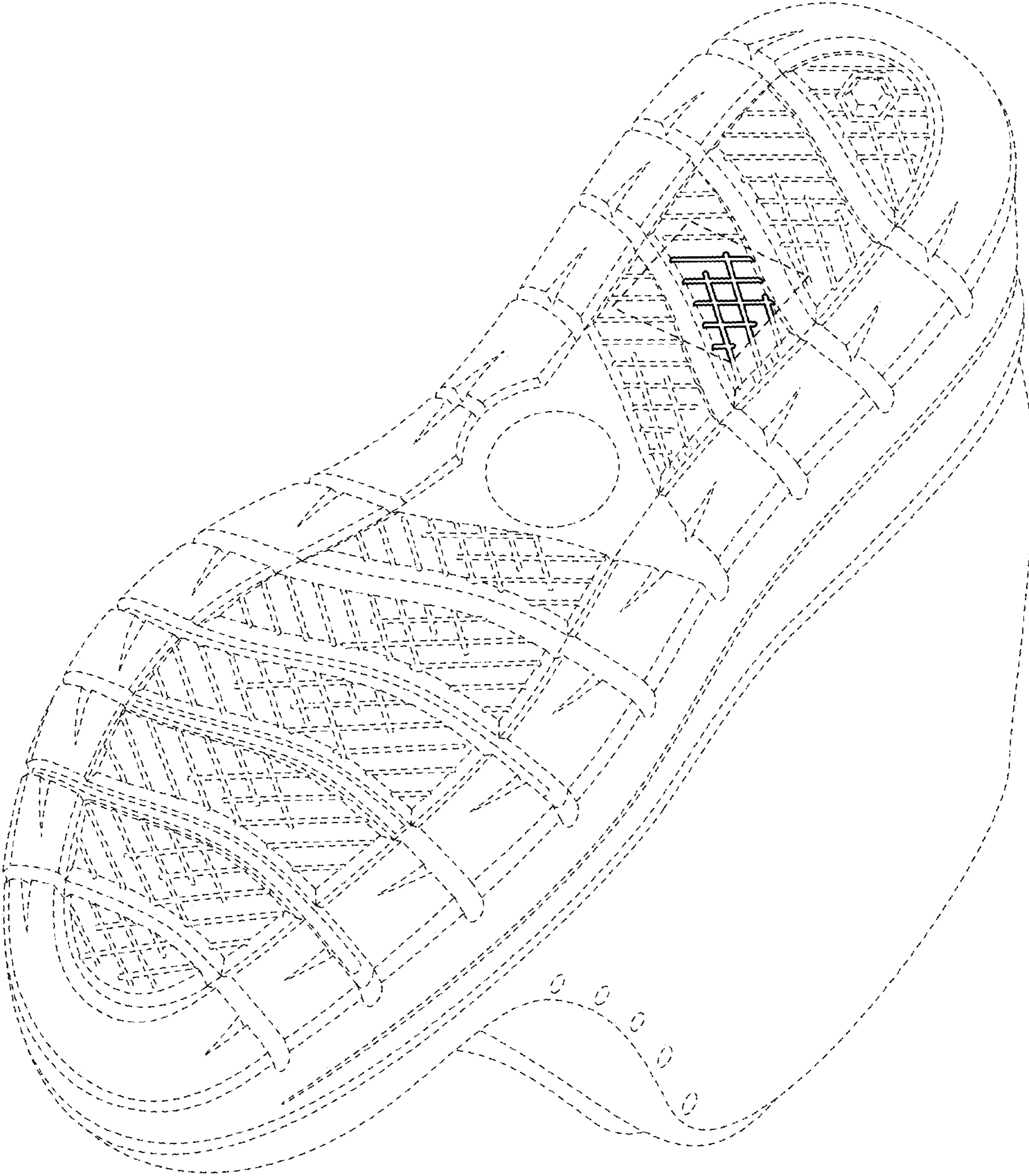


FIG. 4

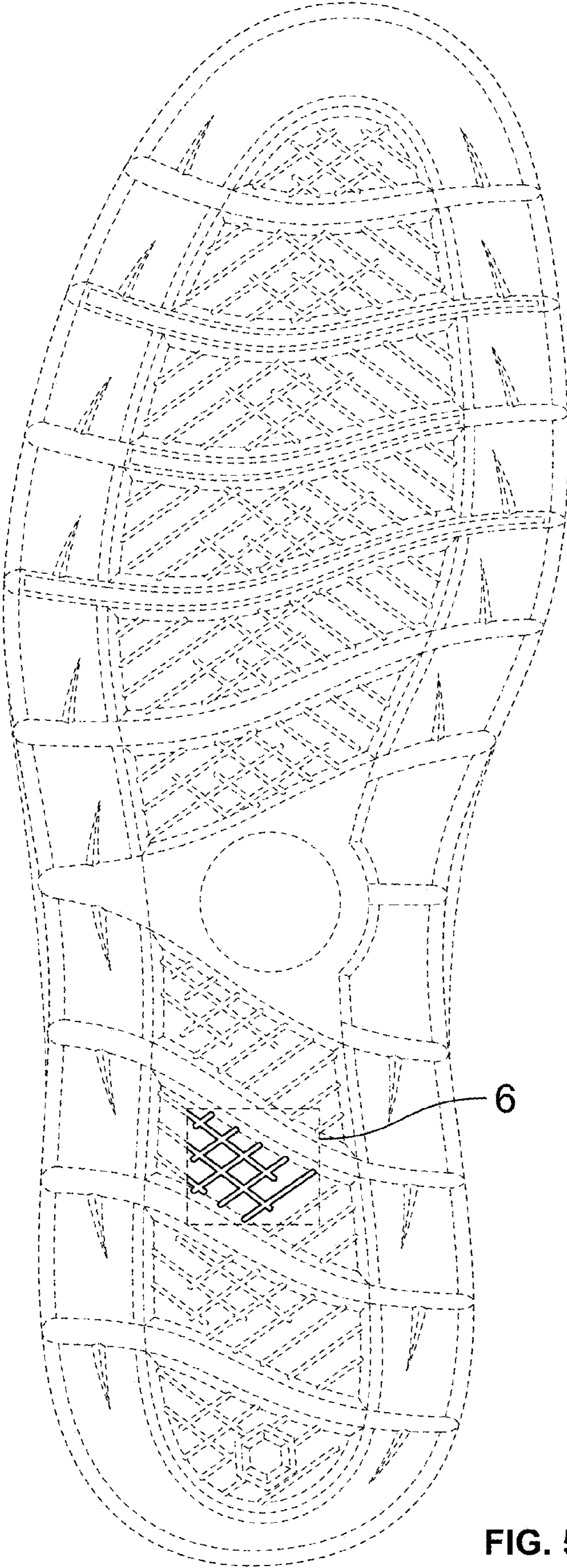


FIG. 5

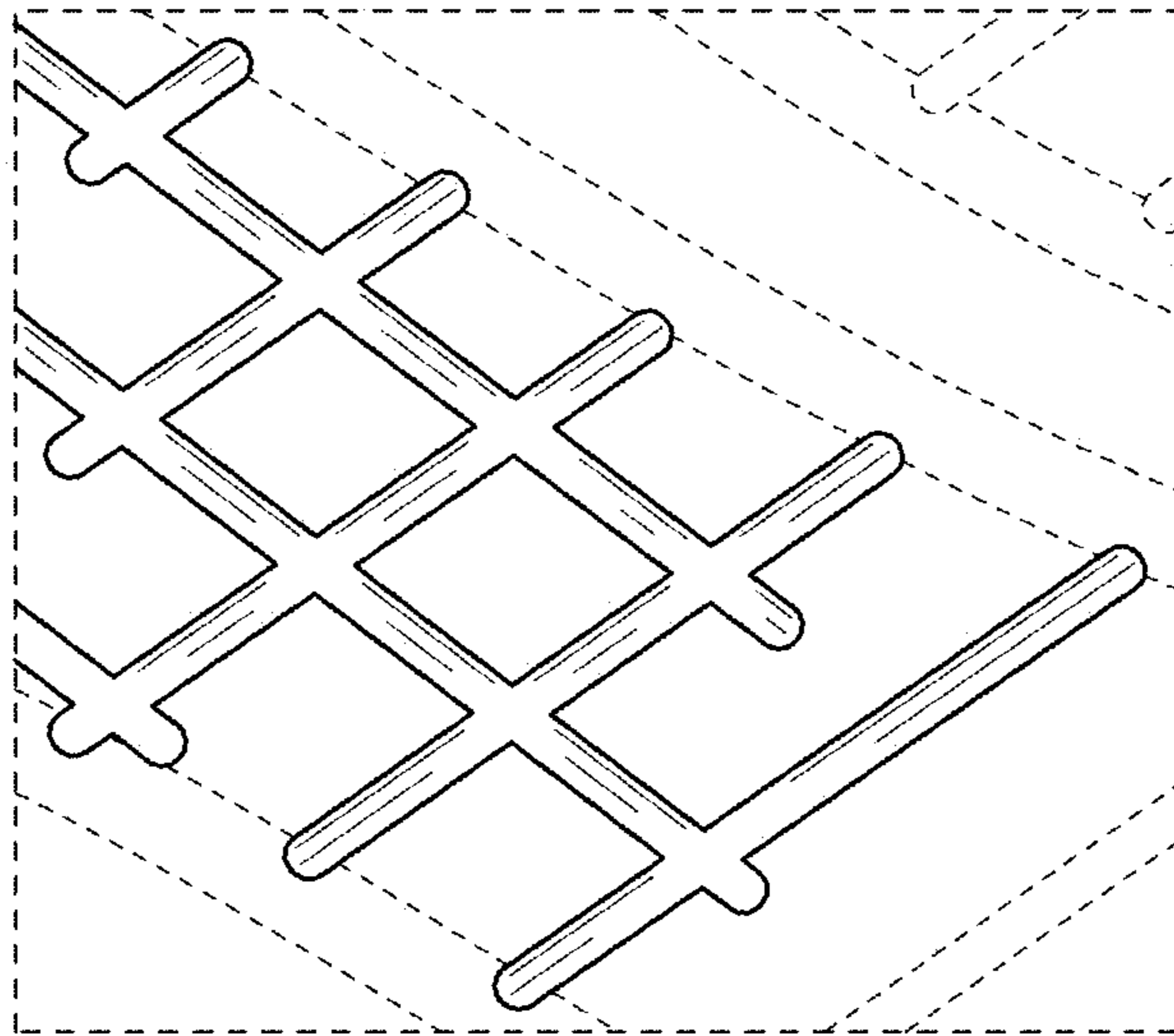


FIG. 6