

US00D907331S

(12) **United States Design Patent** (10) **Patent No.:** **US D907,331 S**  
**Miller** (45) **Date of Patent:** **\*\* Jan. 12, 2021**

- (54) **PANTS WITH SIDE ZIPPER ACCESS**
- (71) Applicant: **Dorothea A. Miller**, Lauderhill, FL (US)
- (72) Inventor: **Dorothea A. Miller**, Lauderhill, FL (US)
- (\*\*) Term: **15 Years**
- (21) Appl. No.: **29/656,796**
- (22) Filed: **Jul. 16, 2018**

**Related U.S. Application Data**

- (63) Continuation-in-part of application No. 29/550,662, filed on Jan. 6, 2016, now Pat. No. Des. 822,948.
- (51) **LOC (13) Cl.** ..... **02-02**
- (52) **U.S. Cl.**  
USPC ..... **D2/742**
- (58) **Field of Classification Search**  
USPC ..... D2/700-705, 712, 716, 728, 742; 2/79, 2/227, 228, 234-239

(Continued)

(56) **References Cited**

**U.S. PATENT DOCUMENTS**

- 2,663,876 A \* 12/1953 Miller ..... A41D 1/06 2/227
- 3,246,342 A 4/1966 Pagano

(Continued)

**OTHER PUBLICATIONS**

“Quality Mens Side Zip Pants” available Feb. 23, 2018, [online], [site visited Jul. 9, 2020]. Retrieved from Internet, URL:https://www.silverts.com/show.php/product/41300-mens-easy-zipper-pants-great-for-arthritis-catheters-paralysis-2-way-zippers-easy-access-clothing/r-gps (Year: 2018).\*

(Continued)

*Primary Examiner* — Michael C Stout

*Assistant Examiner* — Katrina N Gonzalez  
(74) *Attorney, Agent, or Firm* — Terry M. Sanks, Esq.;  
Beusse Sanks, PLLC

(57) **CLAIM**

The ornamental design for a pants with side zipper access, as shown and described.

**DESCRIPTION**

FIG. 1 is a perspective view of a first embodiment of the pants with side zipper access.  
 FIG. 2 is a front view thereof.  
 FIG. 3 is a back view thereof.  
 FIG. 4 is a left side view thereof.  
 FIG. 5 is a right side view thereof.  
 FIG. 6 is a front view of the design of FIG. 1 with two upper placed zippers unzipped and two lower placed zippers unzipped to show the interior of the pant legs.  
 FIG. 7 is a front view thereof showing the two upper placed zippers unzipped down from the waist along the outer seam; one waist zipper is unzipped further down.  
 FIG. 8 is a back view of the design of FIG. 1 with the two upper placed zippers unzipped.  
 FIG. 9 is a left side view thereof.  
 FIG. 10 is a right side view thereof.  
 FIG. 11 is a cross-sectional view taken along and in the direction of line 11-11 of FIG. 2.  
 FIG. 12 is a cross-sectional view taken along and in the direction of line 12-12 of FIG. 2.  
 FIG. 13 is a perspective view of a second embodiment of the pants with side zipper access.  
 FIG. 14 is a front view thereof.  
 FIG. 15 is a back view thereof.  
 FIG. 16 is a left side view thereof.  
 FIG. 17 is a right side view thereof.  
 FIG. 18 is a front view of the design of FIG. 13 with two upper placed zippers unzipped and two lower placed zippers unzipped to show the interior of the pant legs.  
 FIG. 19 is a front view thereof showing the two upper placed zippers unzipped down from the waist along the outer seam; one waist zipper is unzipped further down.  
 FIG. 20 is a back view of the design of FIG. 13 with the two upper placed zippers unzipped.

(Continued)

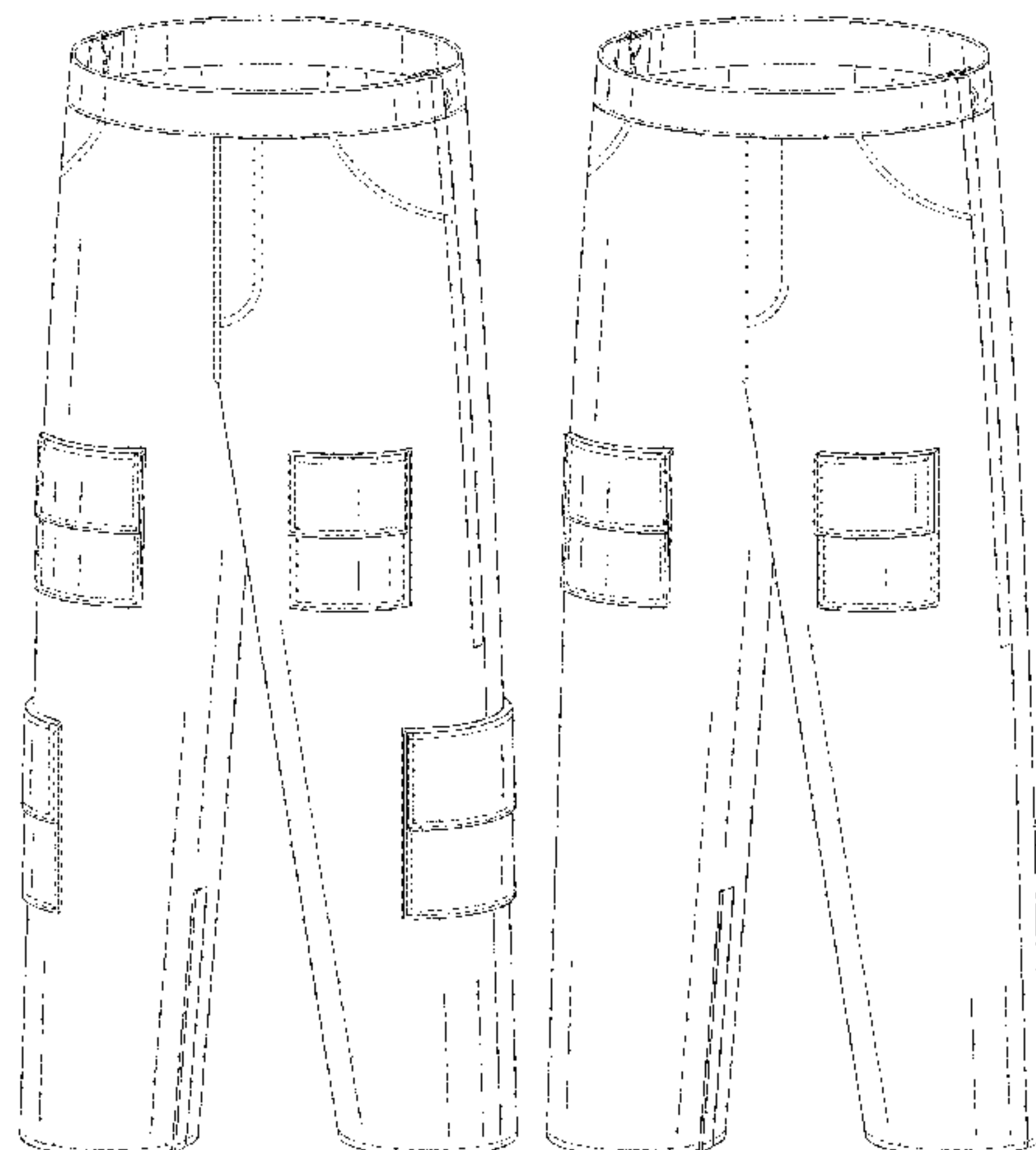


FIG. 21 is a left side view thereof.  
 FIG. 22 is a right side view thereof.  
 FIG. 23 is a cross-sectional view taken along and in the direction of line 11-11 of FIG. 14; and,  
 FIG. 24 is a cross-sectional view taken along and in the direction of line 12-12 of FIG. 14.  
 The broken lines shown represent claimed subject matter as the broken lines represent stitching.

**1 Claim, 18 Drawing Sheets**

(58) **Field of Classification Search**  
 CPC .... A41D 1/06; A41D 13/129; A41D 13/1254;  
 A41D 2300/32  
 See application file for complete search history.

(56) **References Cited**

U.S. PATENT DOCUMENTS

4,914,756 A 4/1990 Grassick  
 D344,620 S 3/1994 Lavell  
 D373,892 S 9/1996 Landwehr  
 D393,141 S 4/1998 Glycenfer  
 5,818,845 A 10/1998 Moura et al.

D536,157 S 2/2007 Kimmel  
 D572,434 S \* 7/2008 Yeates ..... D2/742  
 D580,629 S 11/2008 Adams et al.  
 D610,329 S \* 2/2010 Prechel ..... D2/742  
 D622,935 S \* 9/2010 Jackson ..... D2/742  
 D640,041 S \* 6/2011 Flora ..... D2/742  
 8,091,146 B1 \* 1/2012 Anhalt ..... A41D 1/08  
 2/227  
 D655,481 S 3/2012 Seguin et al.  
 D655,482 S 3/2012 Morales  
 D664,737 S \* 8/2012 Slank ..... D2/742  
 D665,559 S 8/2012 Ridge  
 D721,469 S \* 1/2015 Dye ..... D2/742  
 D766,545 S \* 9/2016 Grosbol ..... D2/742  
 D766,546 S \* 9/2016 Grosbol ..... D2/742  
 D822,948 S \* 7/2018 Miller ..... D2/742  
 D839,542 S \* 2/2019 Strange ..... D2/742  
 D876,752 S \* 3/2020 Francis ..... D2/742  
 10,687,570 B2 \* 6/2020 Strange ..... A41F 9/007  
 2005/0251896 A1 \* 11/2005 Donlan ..... A41D 1/06  
 2/269

OTHER PUBLICATIONS

Adaptations by Adrian, [www.adaptationsbyadrian.com](http://www.adaptationsbyadrian.com), Aug. 24, 2002.

\* cited by examiner

FIG. 1

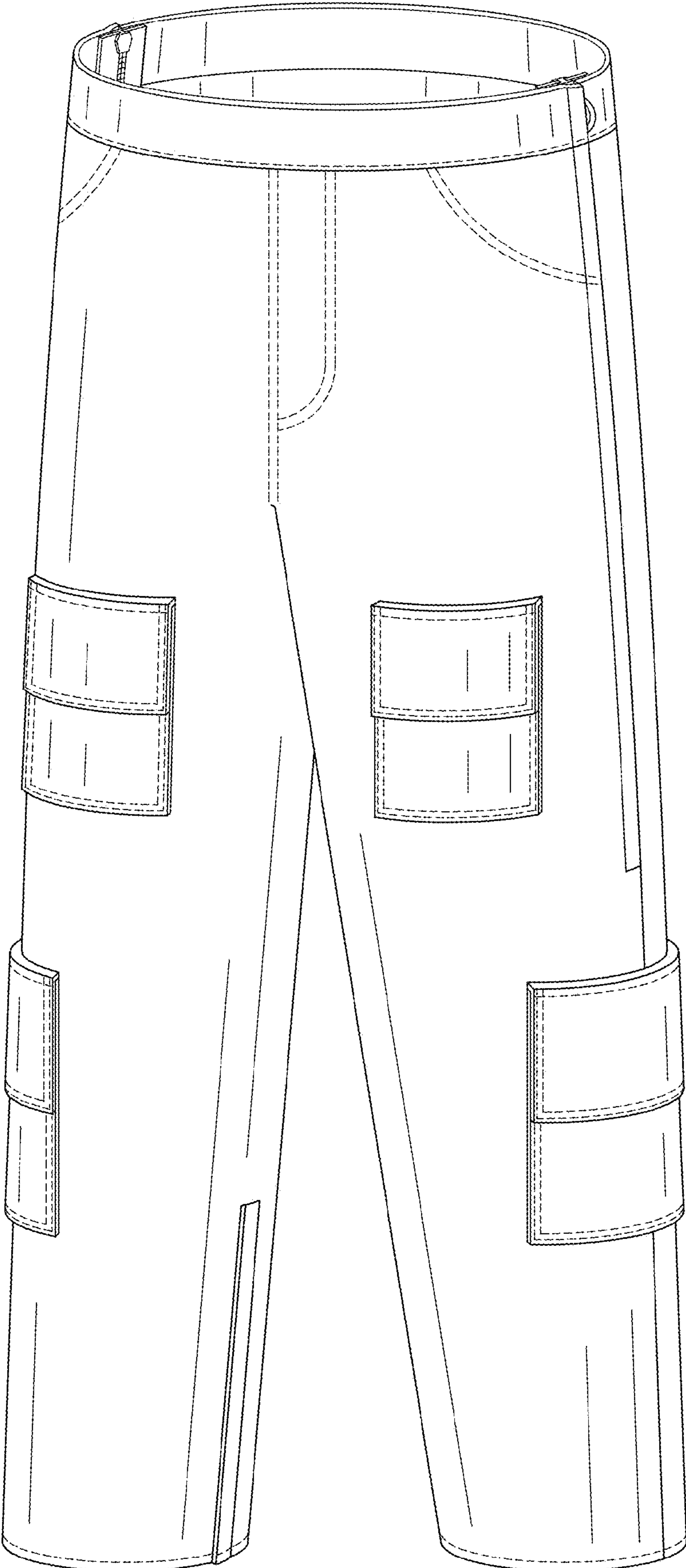


FIG. 2

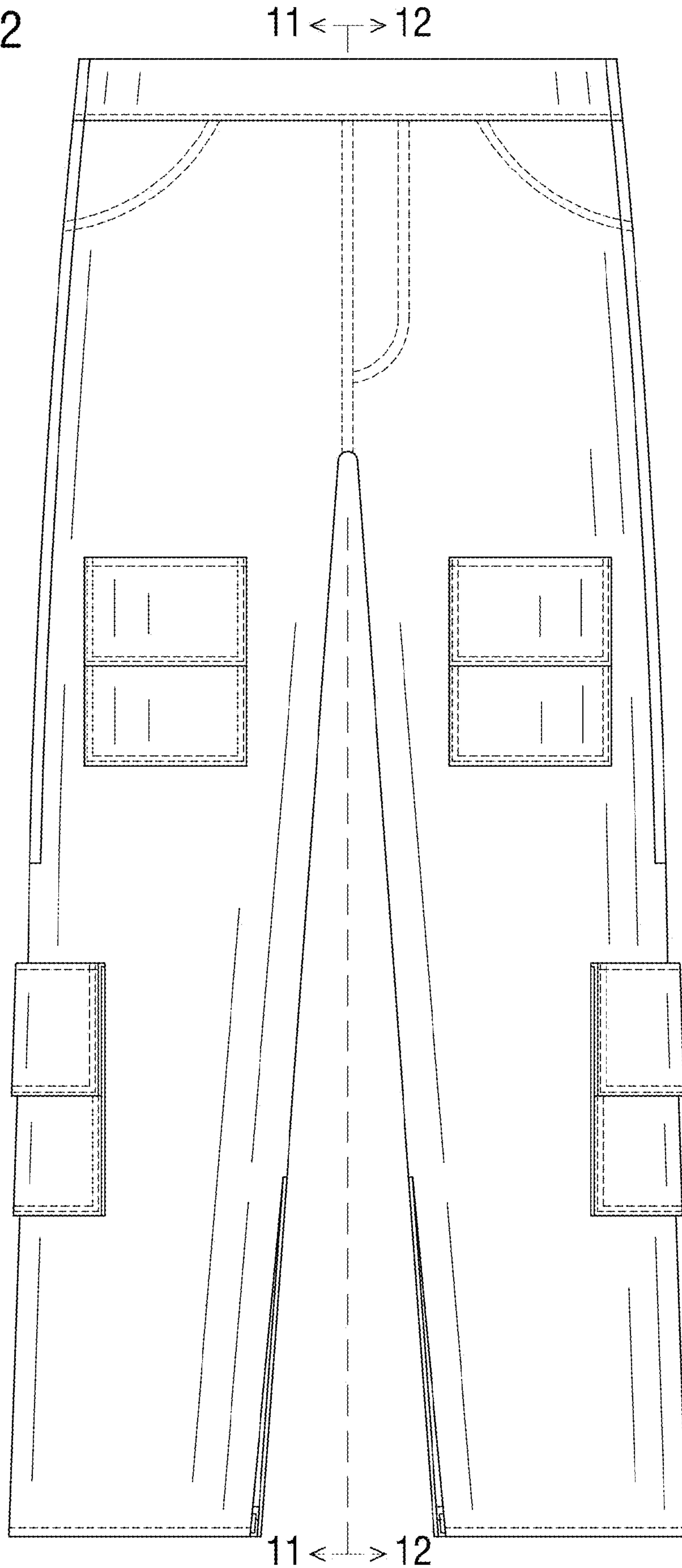




FIG. 3

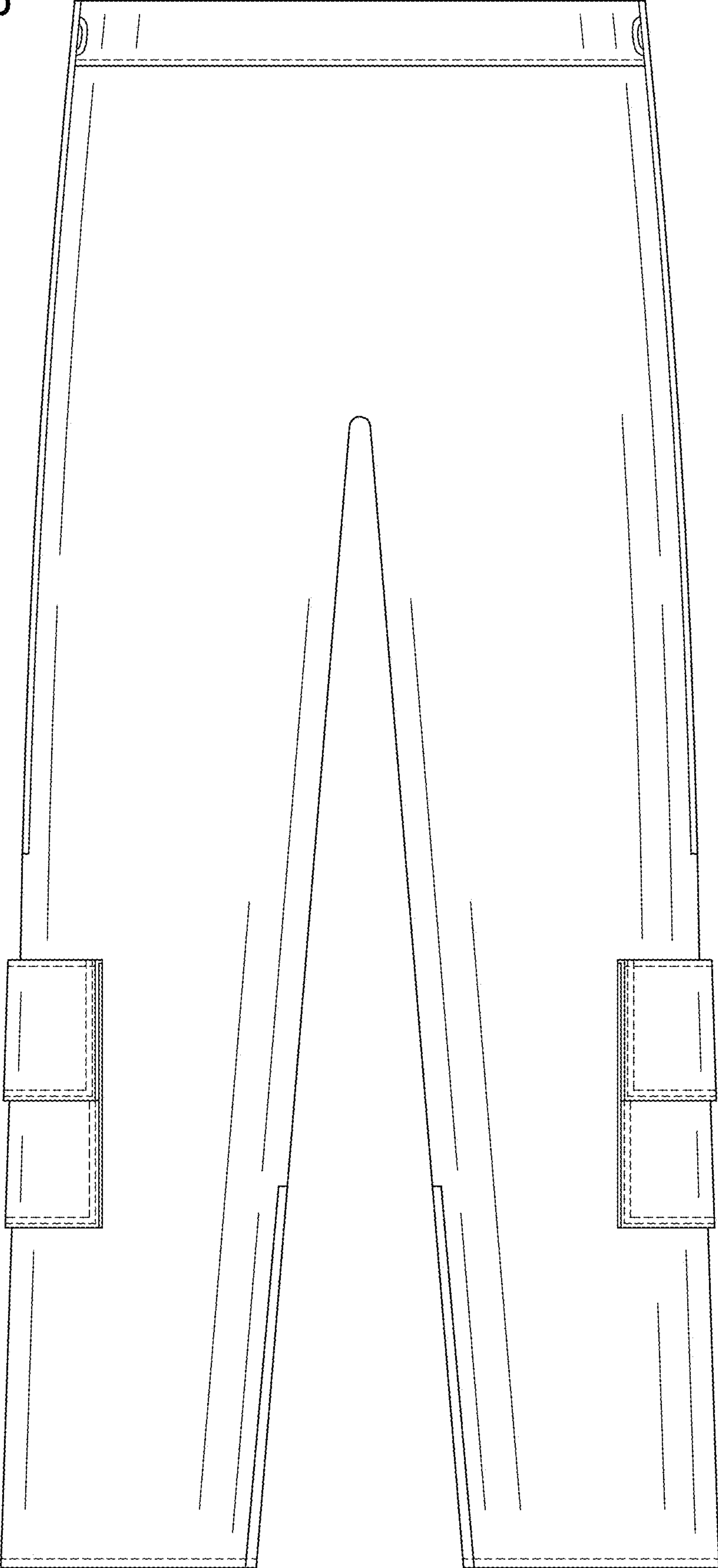


FIG. 4

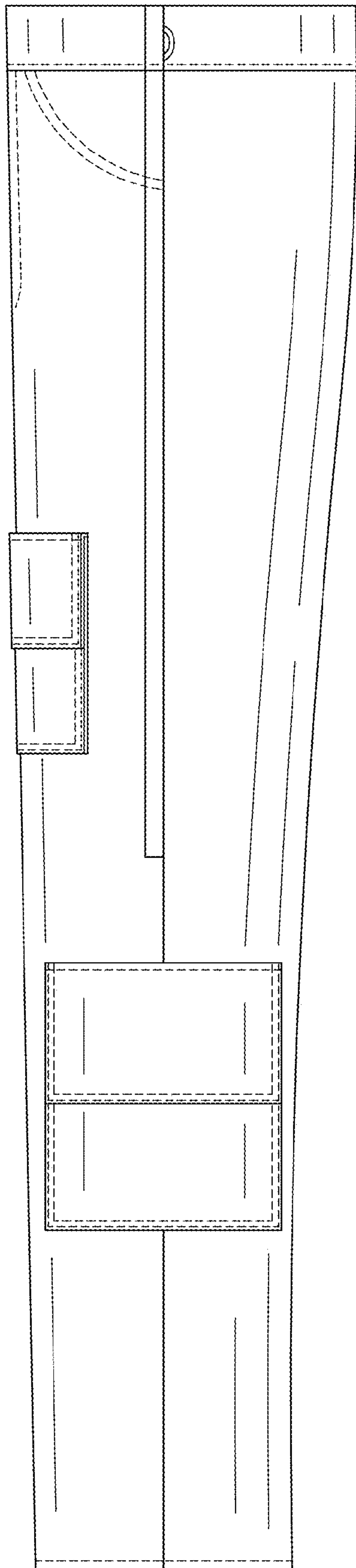


FIG. 5

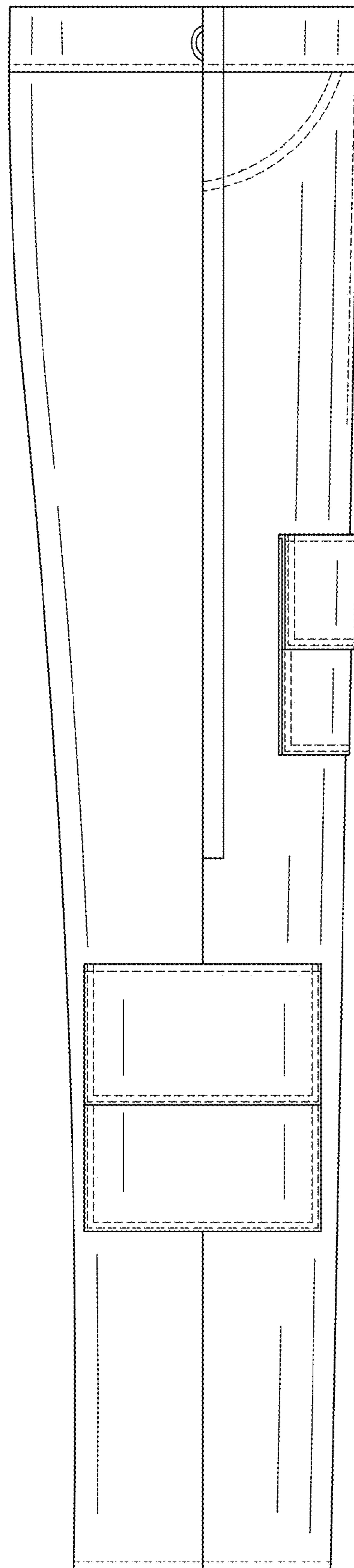


FIG. 6

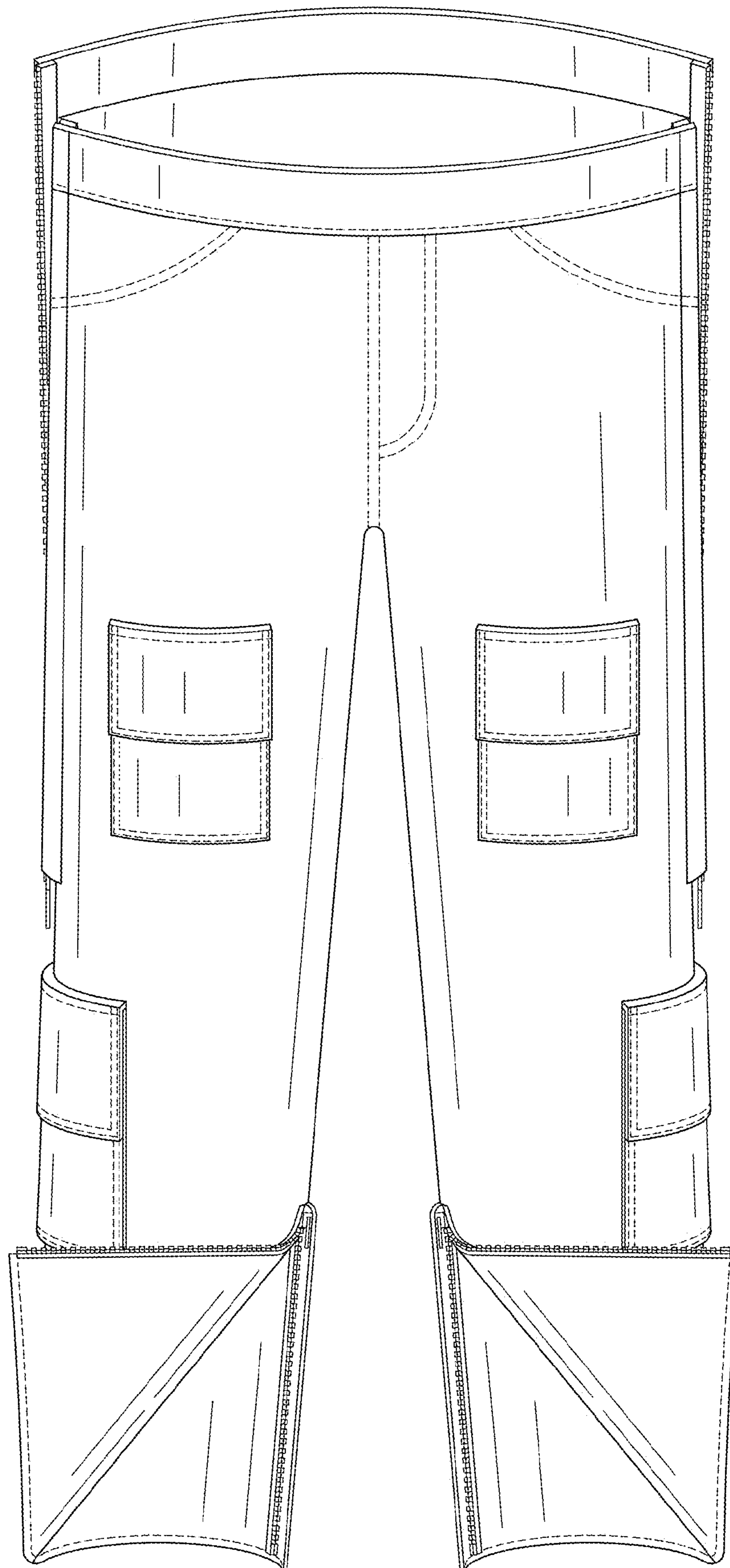


FIG. 7

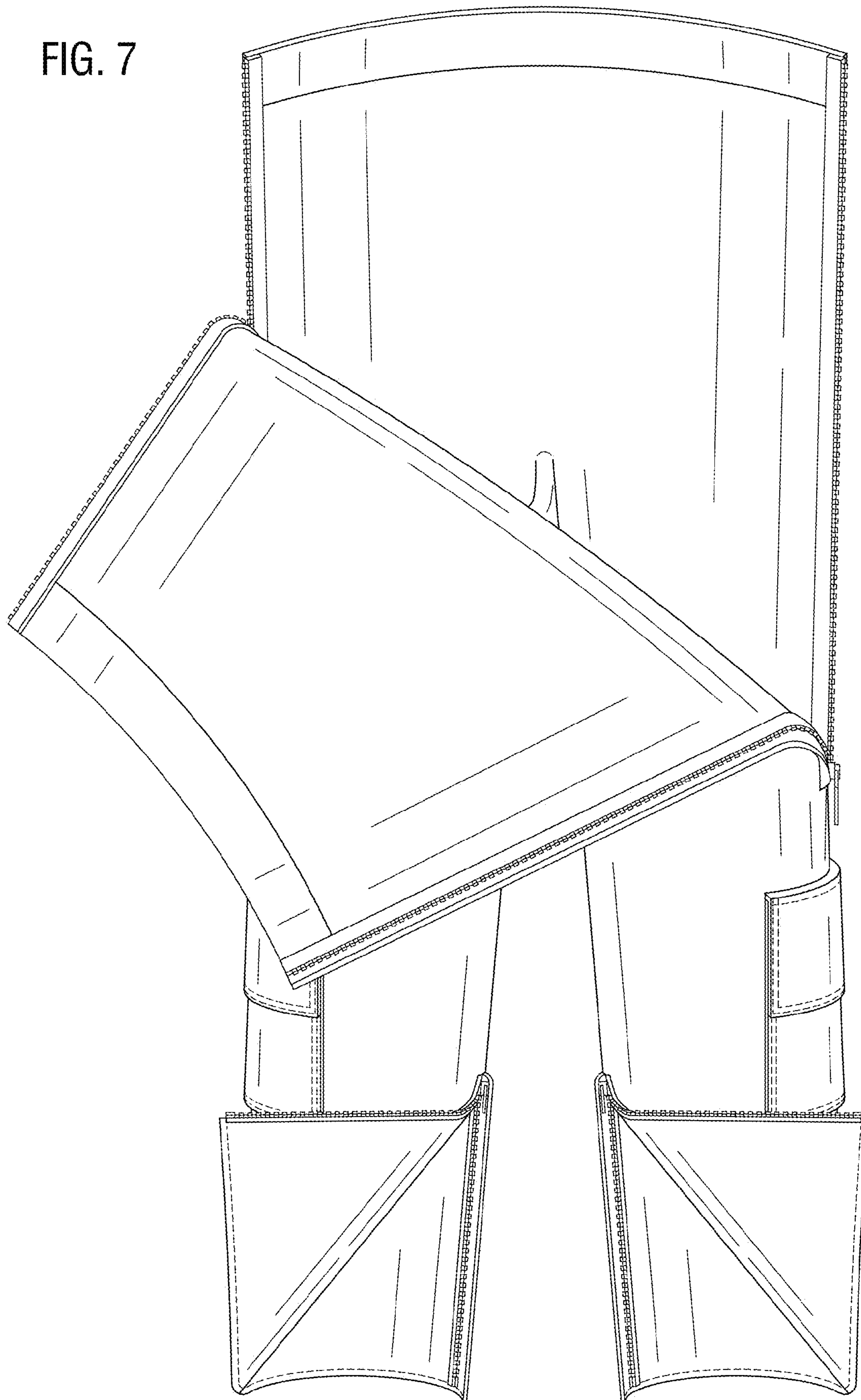




FIG. 8

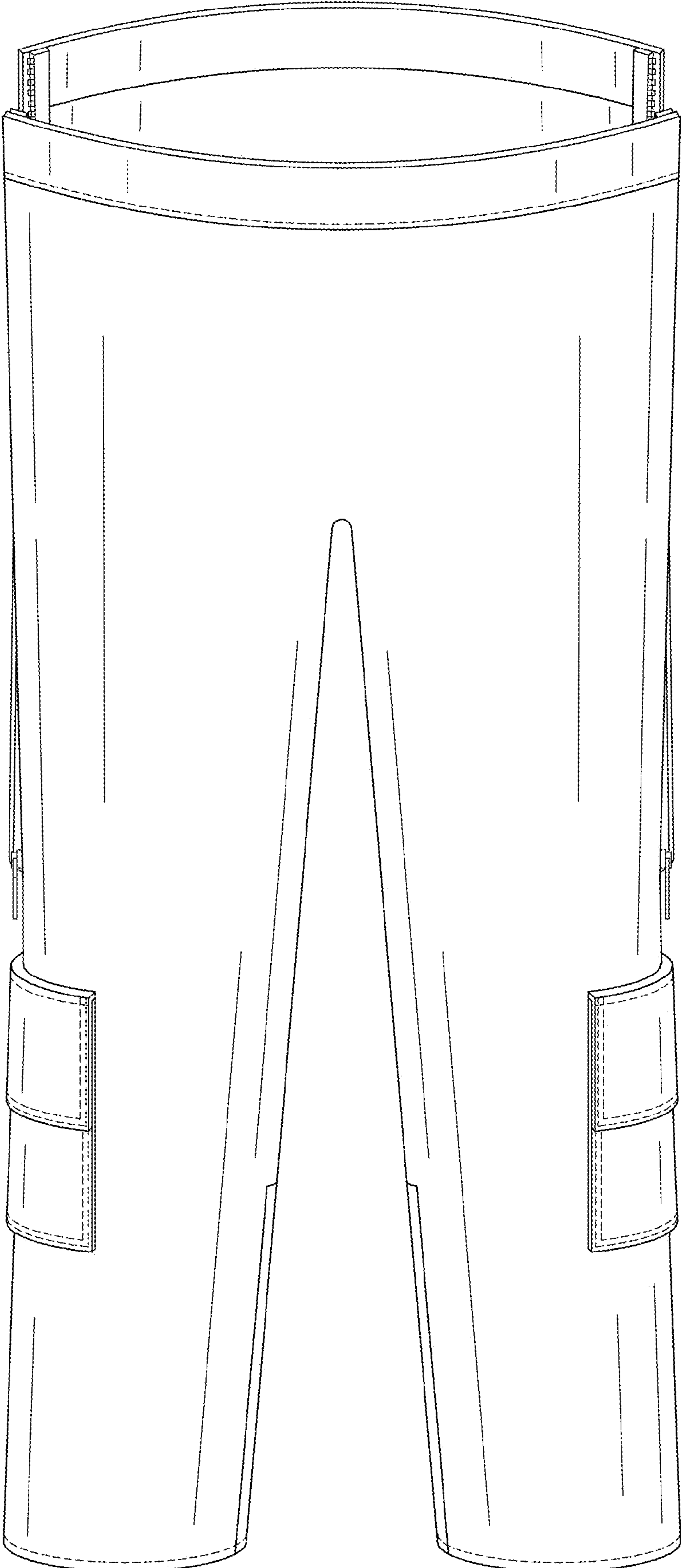


FIG. 9

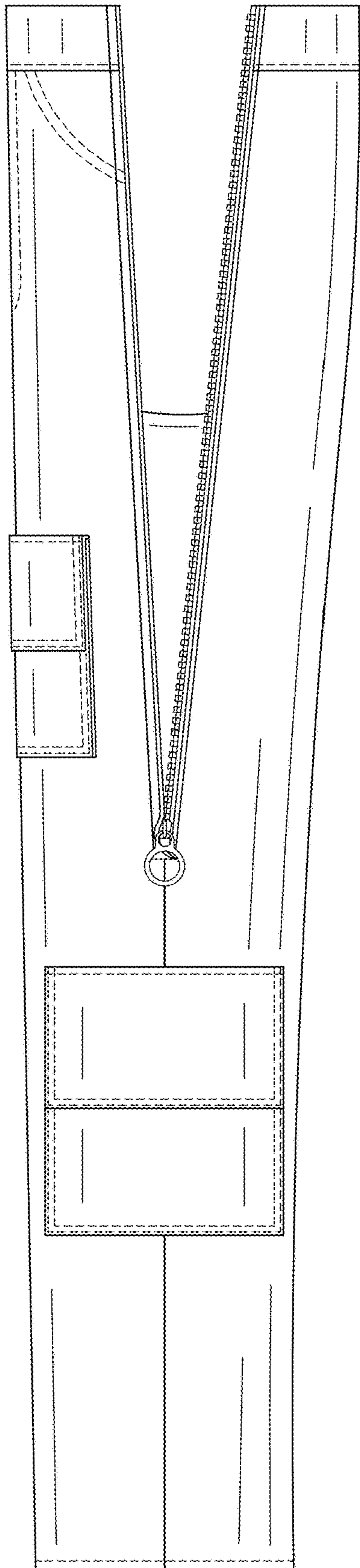


FIG. 10

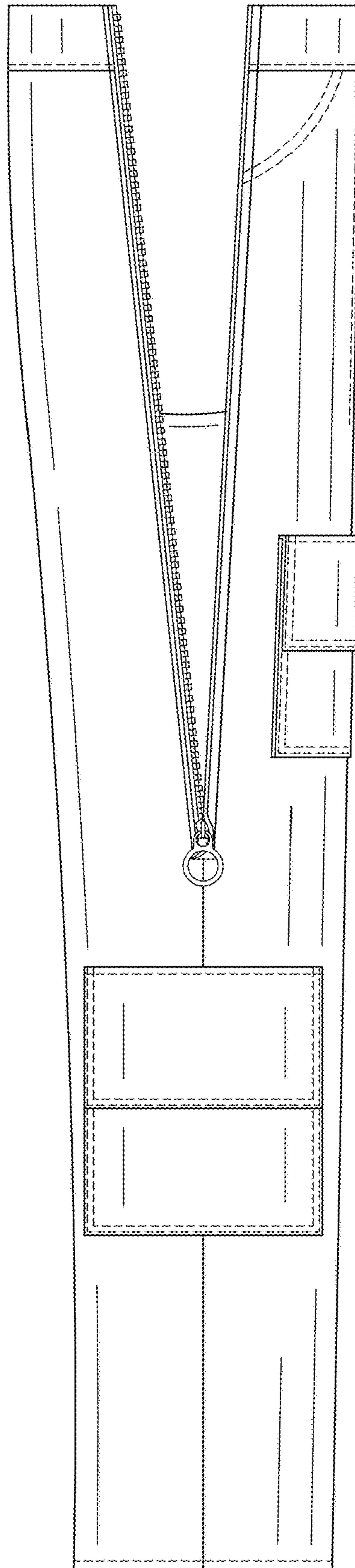


FIG. 11

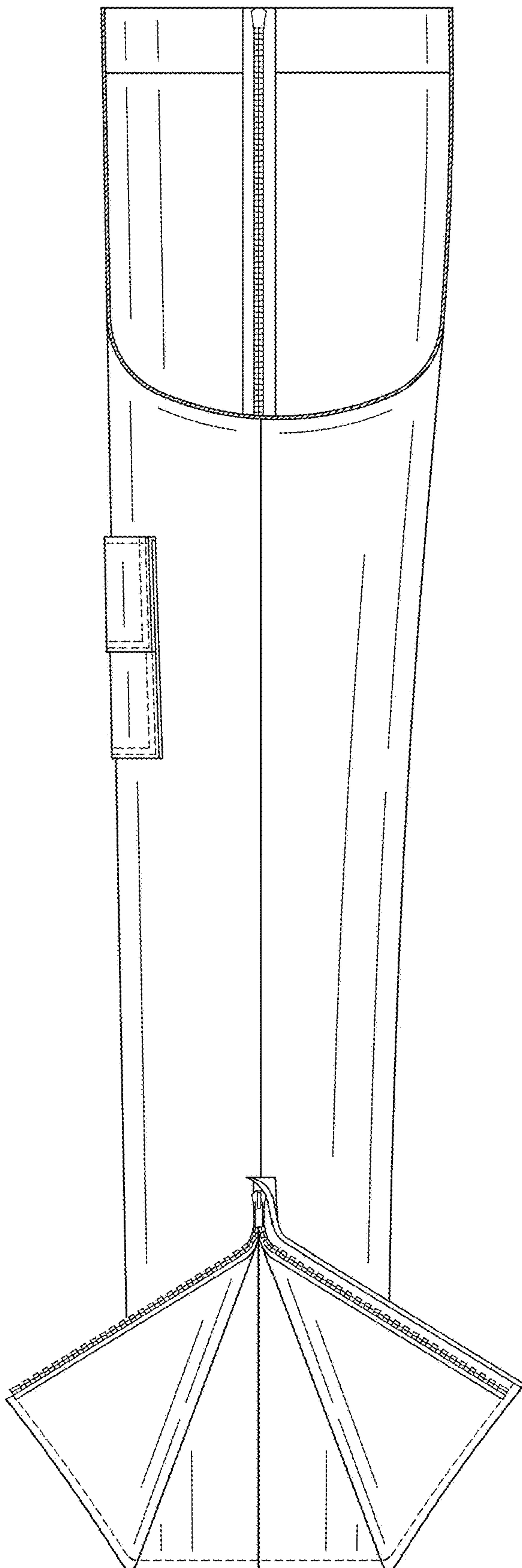


FIG. 12

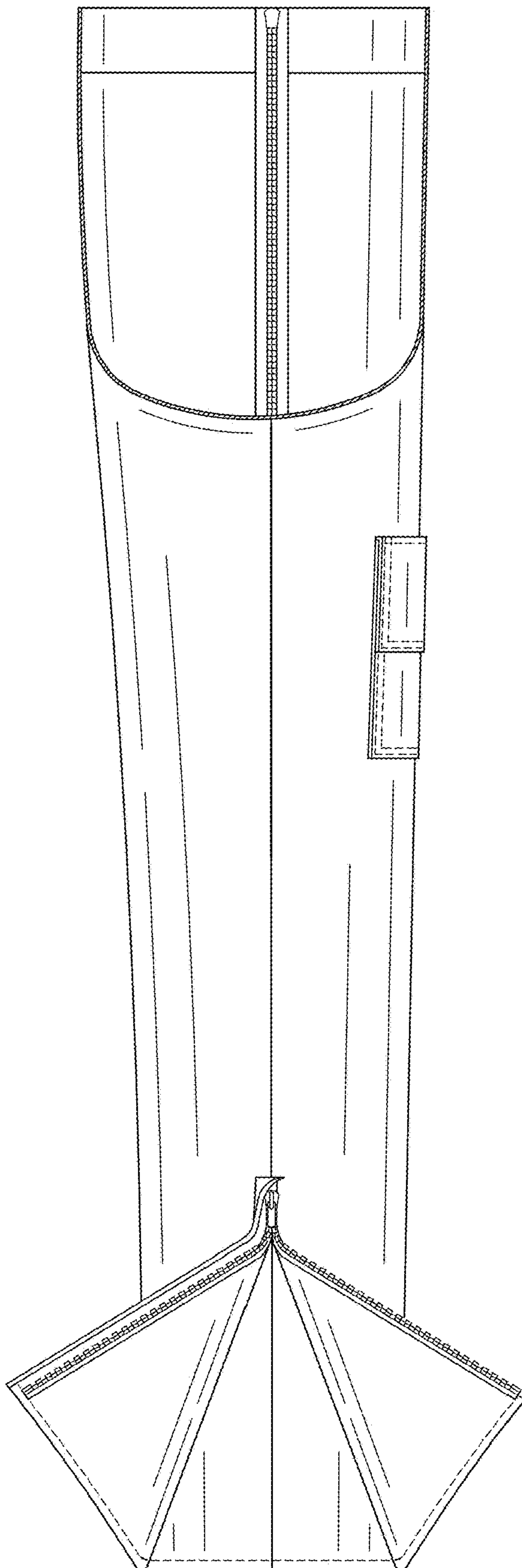


FIG. 13

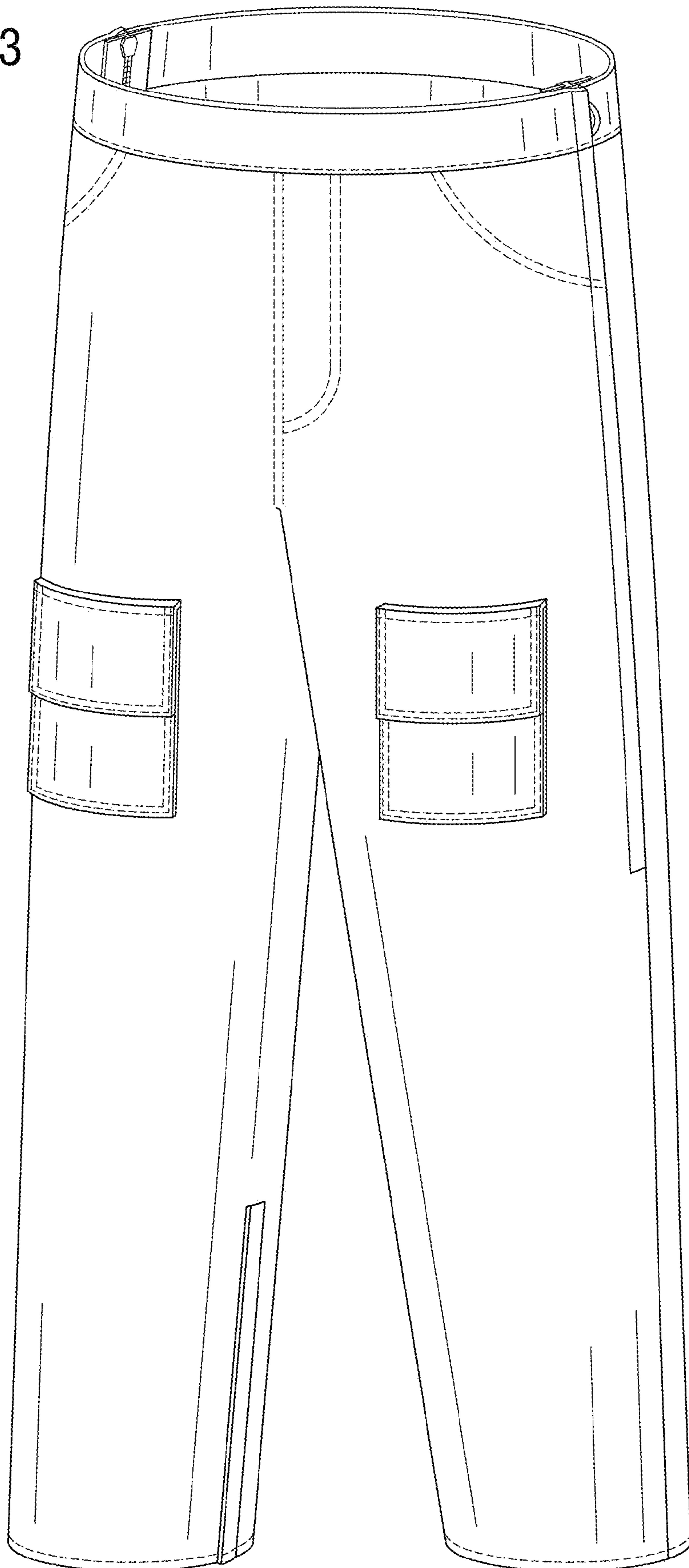




FIG. 14

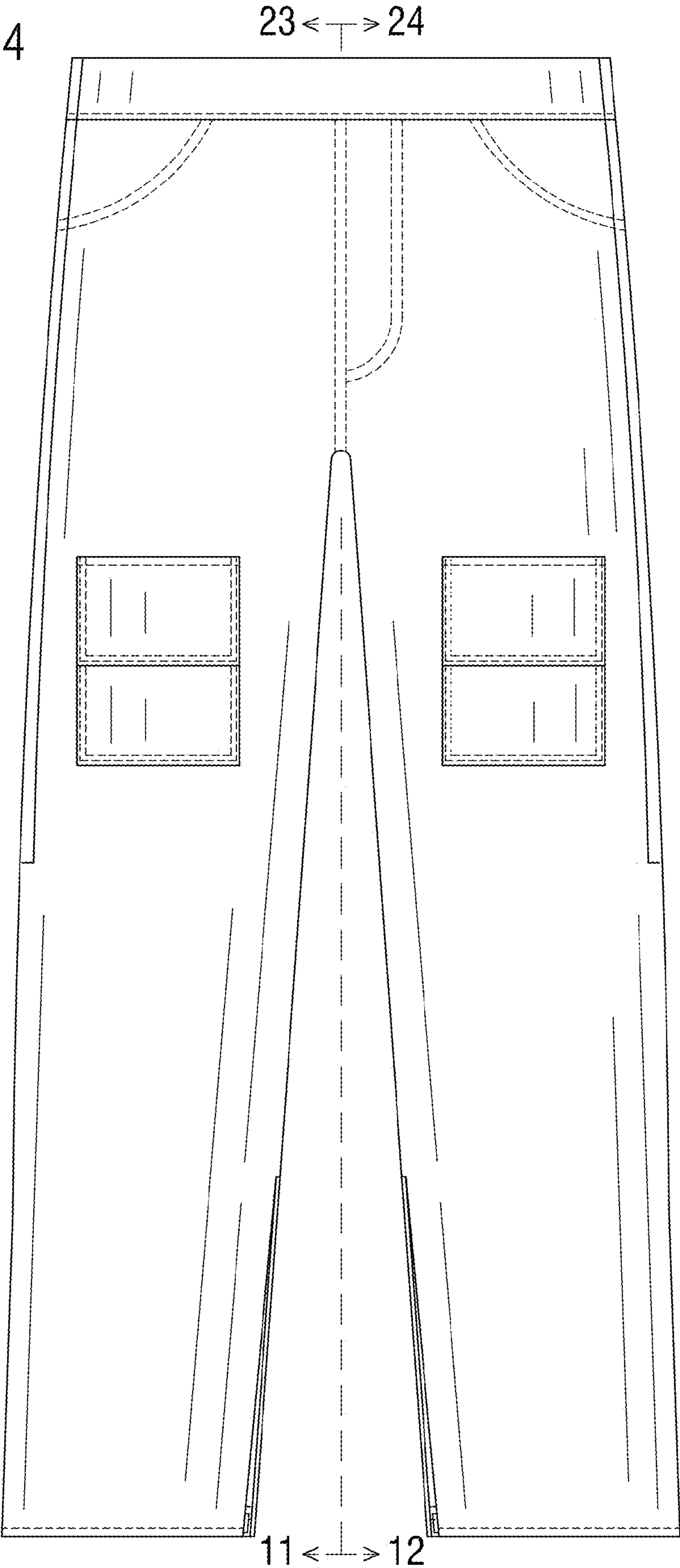


FIG. 15

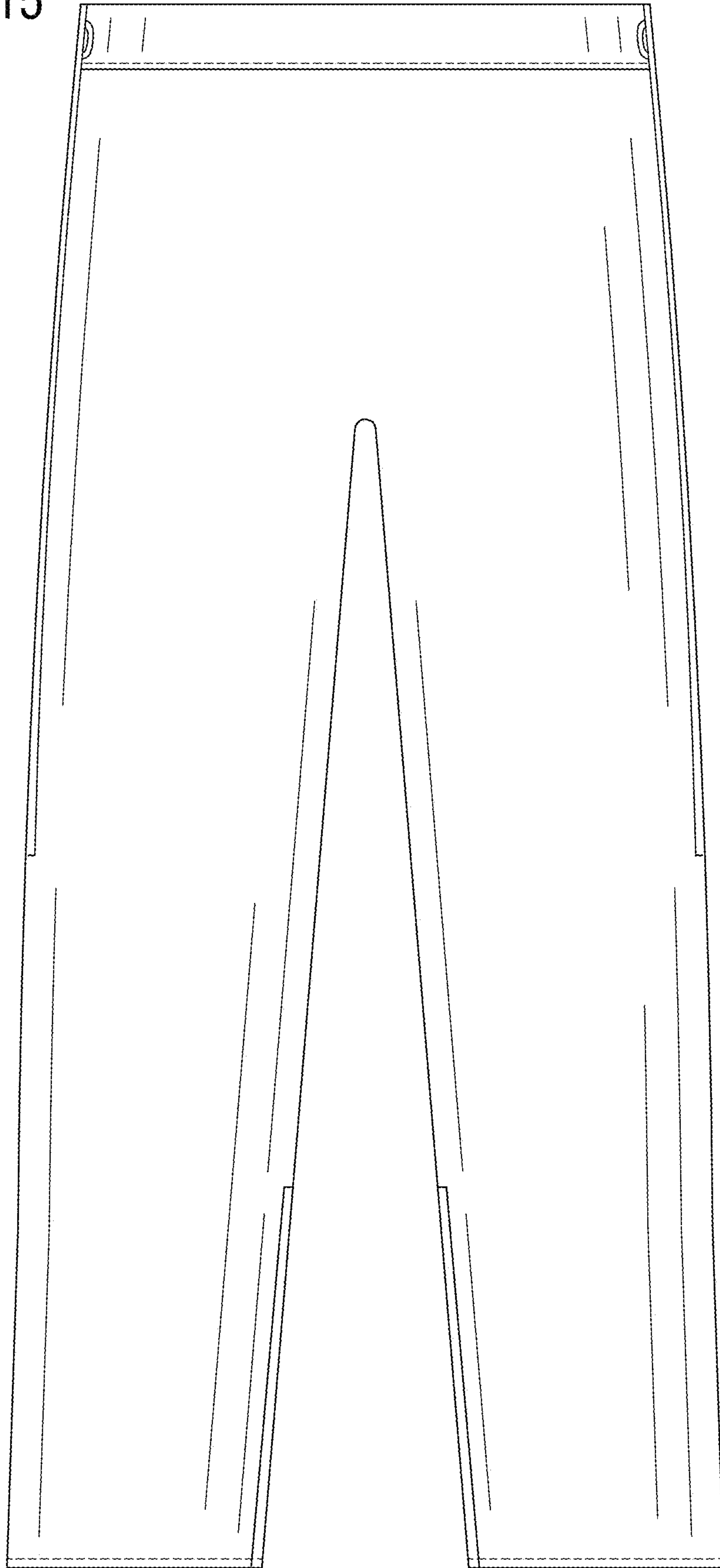


FIG. 16

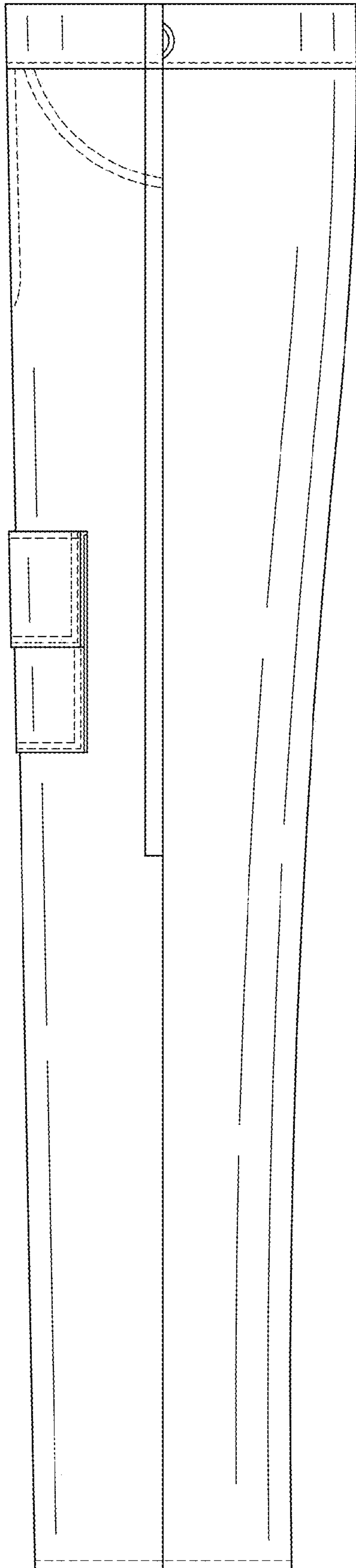


FIG. 17

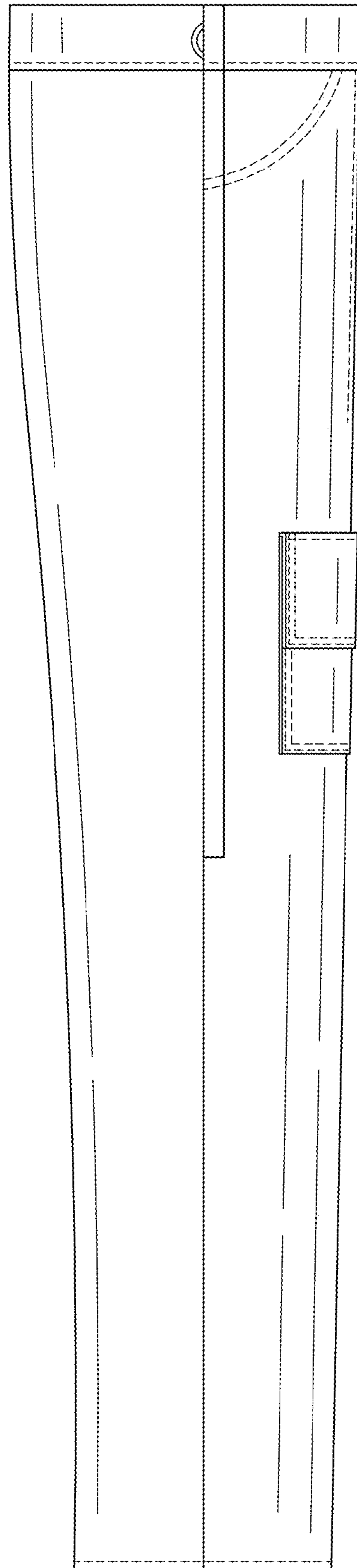


FIG. 18

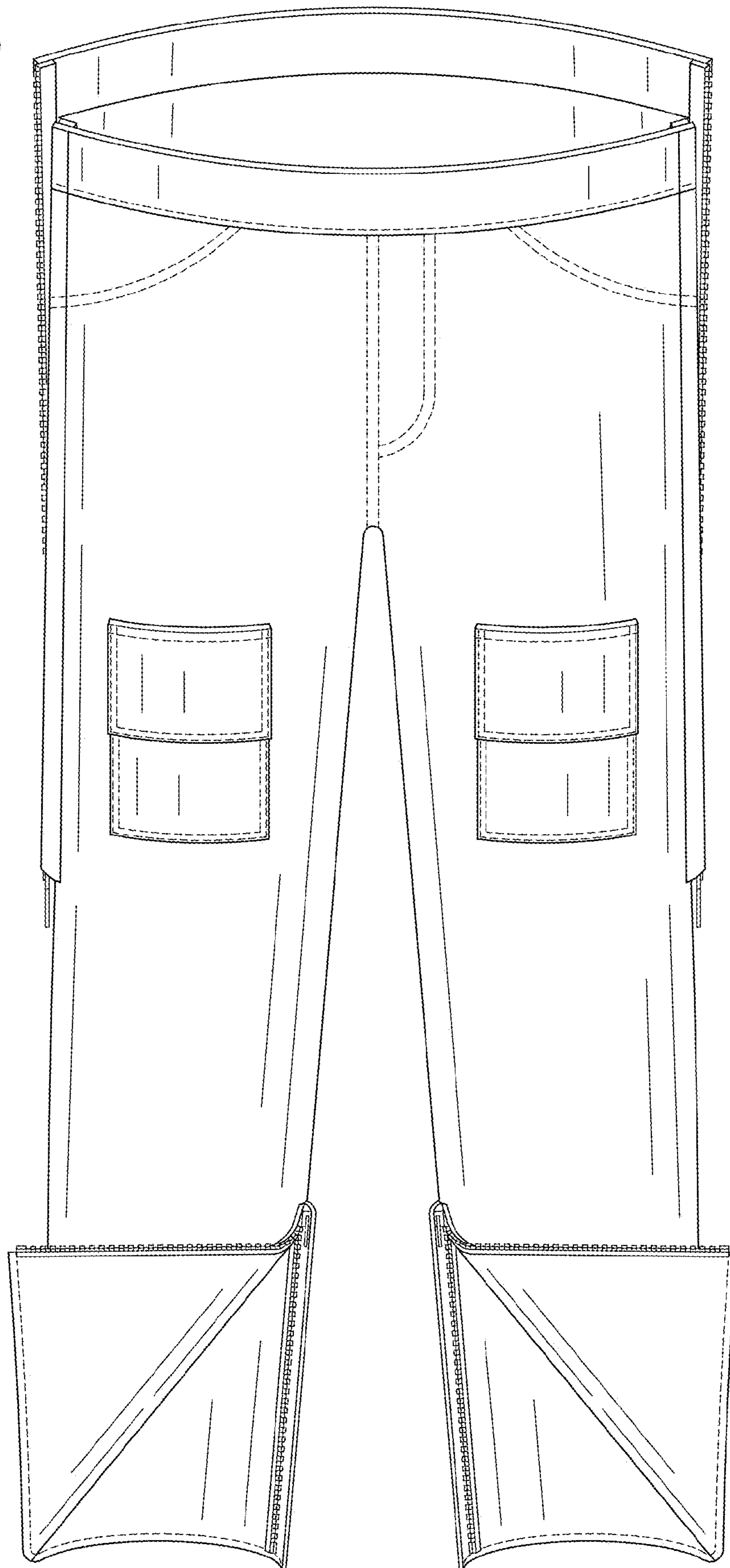




FIG. 19

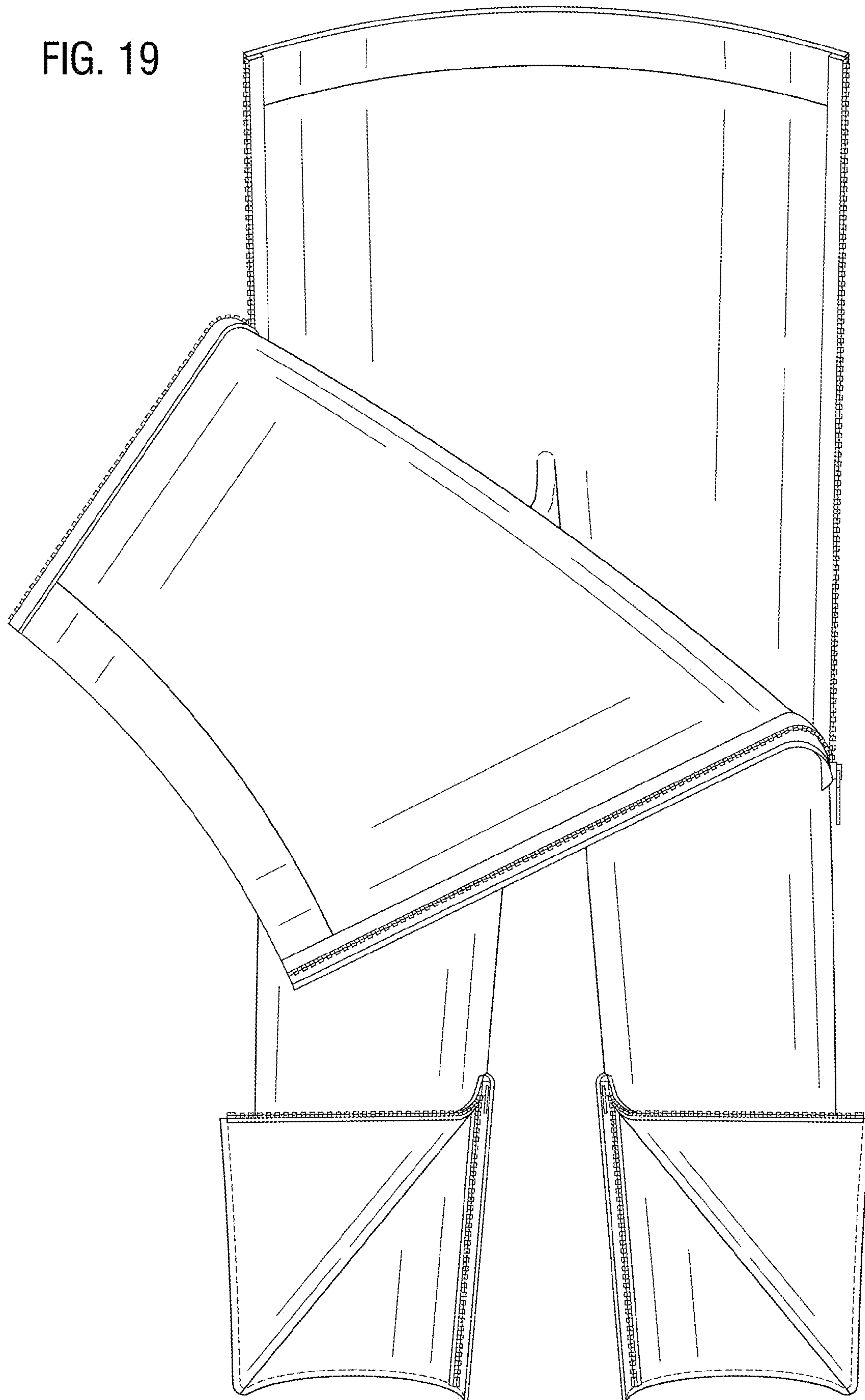


FIG. 20

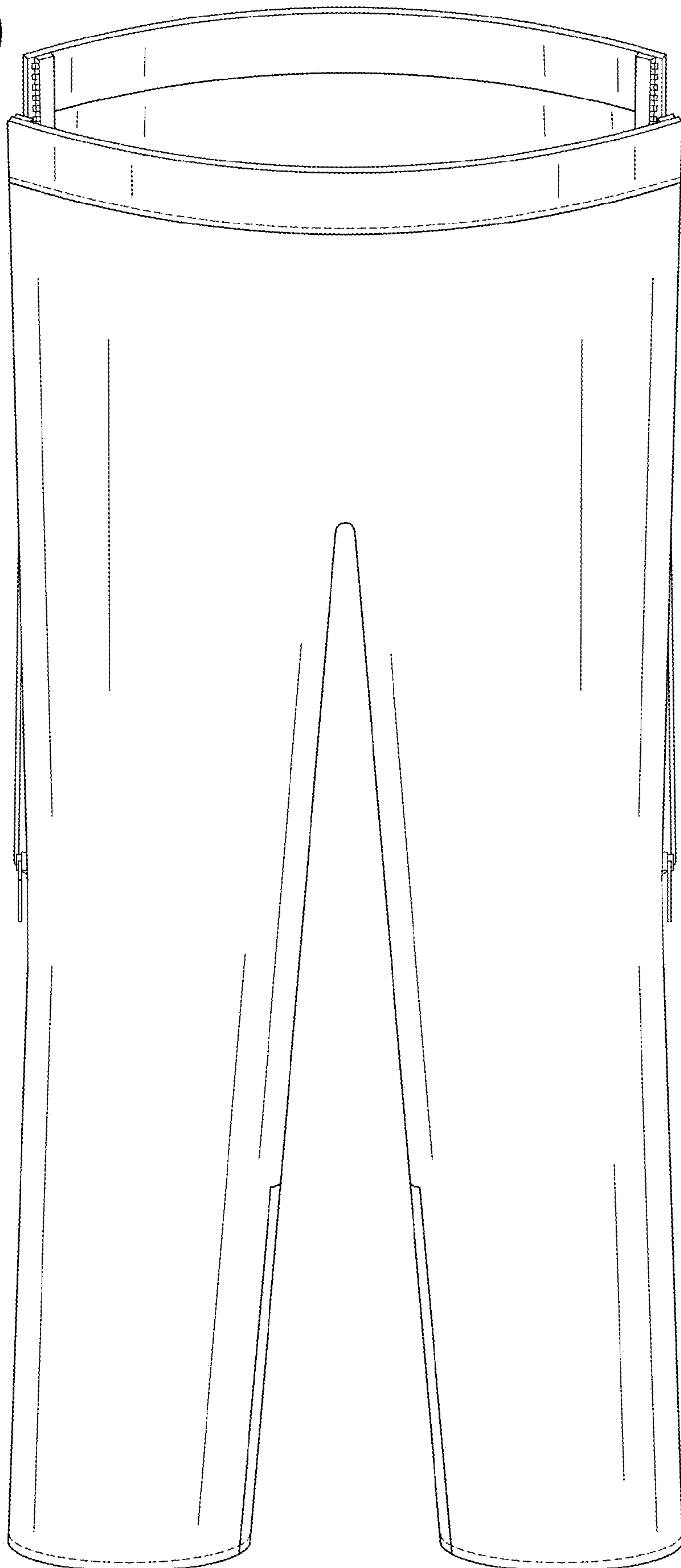


FIG. 21

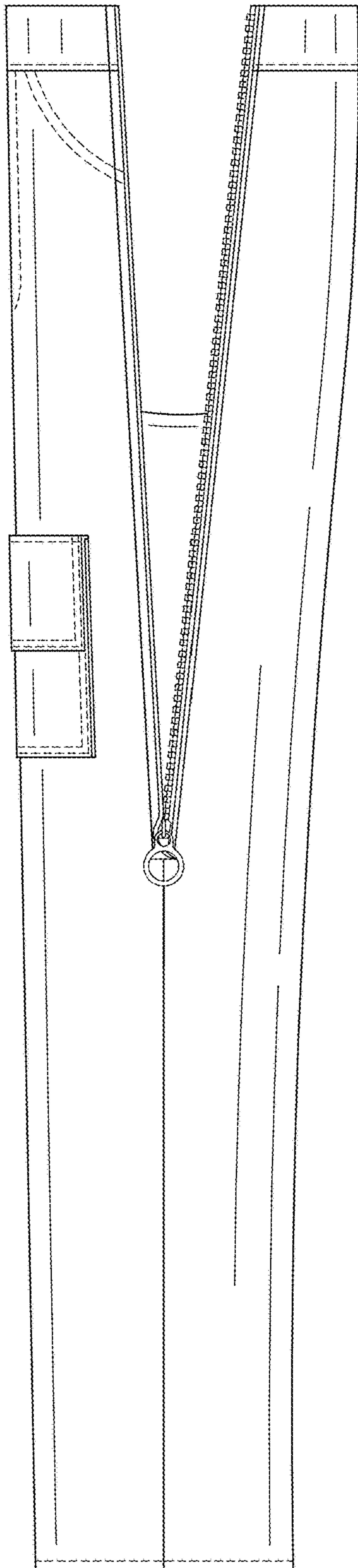


FIG. 22

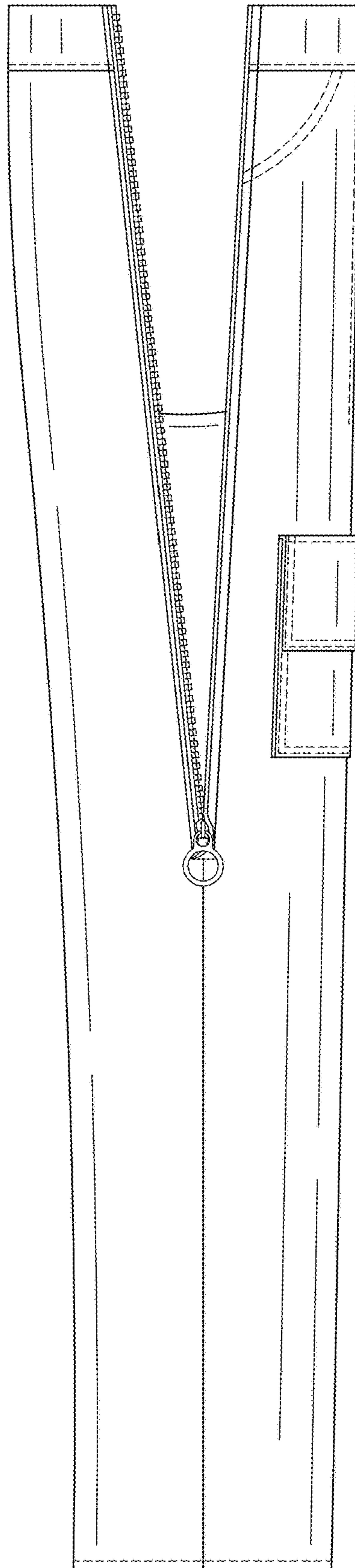


FIG. 23

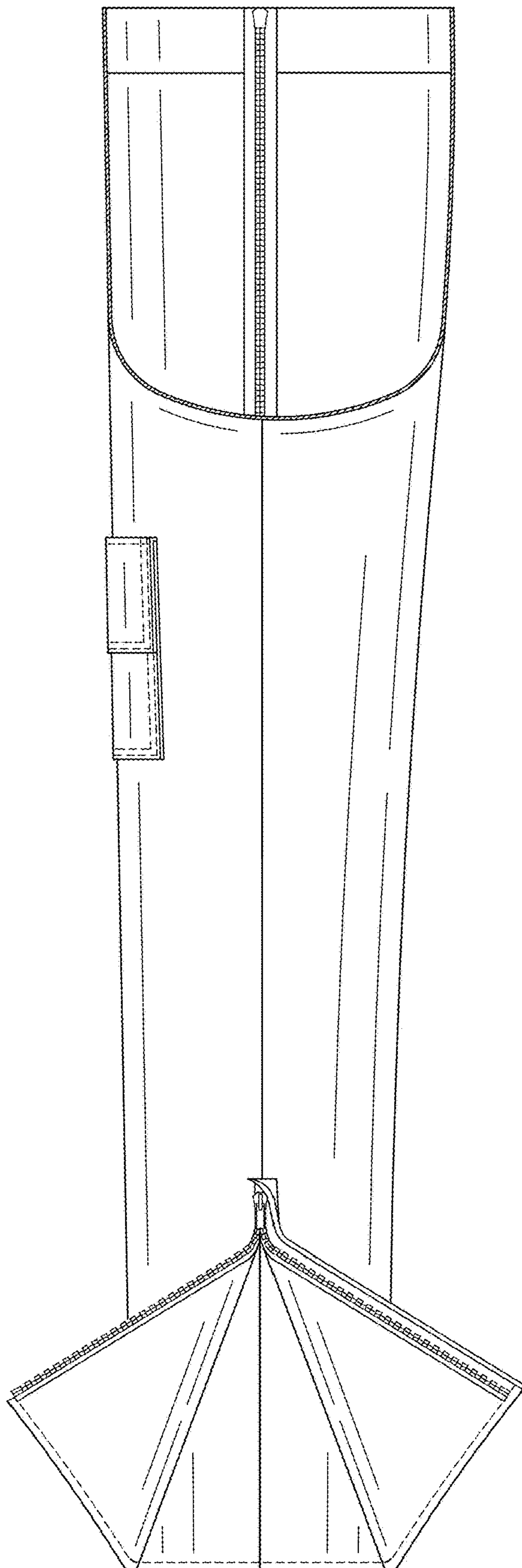


FIG. 24

