



US00D907328S

(12) **United States Design Patent** (10) **Patent No.:** **US D907,328 S**  
**Zhao** (45) **Date of Patent:** **\*\* Jan. 12, 2021**

- (54) **BREAST LIFT NIPPLE COVER**
- (71) Applicant: **Guangzhou Xinke Silicone Products Co., Ltd., Guangdong (CN)**
- (72) Inventor: **Quji Zhao, Hubei (CN)**
- (73) Assignee: **Guangzhou Xinke Silicone Products Co., Ltd., Guangzhou (CN)**
- (\*\*) Term: **15 Years**
- (21) Appl. No.: **29/643,930**
- (22) Filed: **Apr. 12, 2018**
- (51) **LOC (13) Cl.** ..... **02-01**
- (52) **U.S. Cl.**  
USPC ..... **D2/706**
- (58) **Field of Classification Search**  
USPC ..... D2/706, 708; 450/39, 57  
CPC ..... A41C 3/00; A41C 3/065; A41C 3/144  
See application file for complete search history.

D760,472 S \* 7/2016 Deal ..... D2/706  
 2001/0049250 A1\* 12/2001 Johnson ..... A41C 3/065  
 450/81  
 2012/0266348 A1\* 10/2012 Meginnis ..... A41B 17/00  
 2/69

**OTHER PUBLICATIONS**

[https://www.amazon.com/dp/B01FN88A12/ref=sspa\\_dk\\_detail\\_5?psc=1&pd\\_rd\\_i=B01FN88A12](https://www.amazon.com/dp/B01FN88A12/ref=sspa_dk_detail_5?psc=1&pd_rd_i=B01FN88A12) (Year: 2016).\*

[https://www.amazon.com/dp/B01ETHGSIC/ref=sspa\\_dk\\_detail\\_14?psc=1&pd\\_rd\\_i=B01ETHGSIC](https://www.amazon.com/dp/B01ETHGSIC/ref=sspa_dk_detail_14?psc=1&pd_rd_i=B01ETHGSIC) (Year: 2016).\*

\* cited by examiner

*Primary Examiner* — Barbara Fox  
*Assistant Examiner* — J. Thorn, Sr.

(57) **CLAIM**

The ornamental design for a breast lift nipple cover, as shown and described.

**DESCRIPTION**

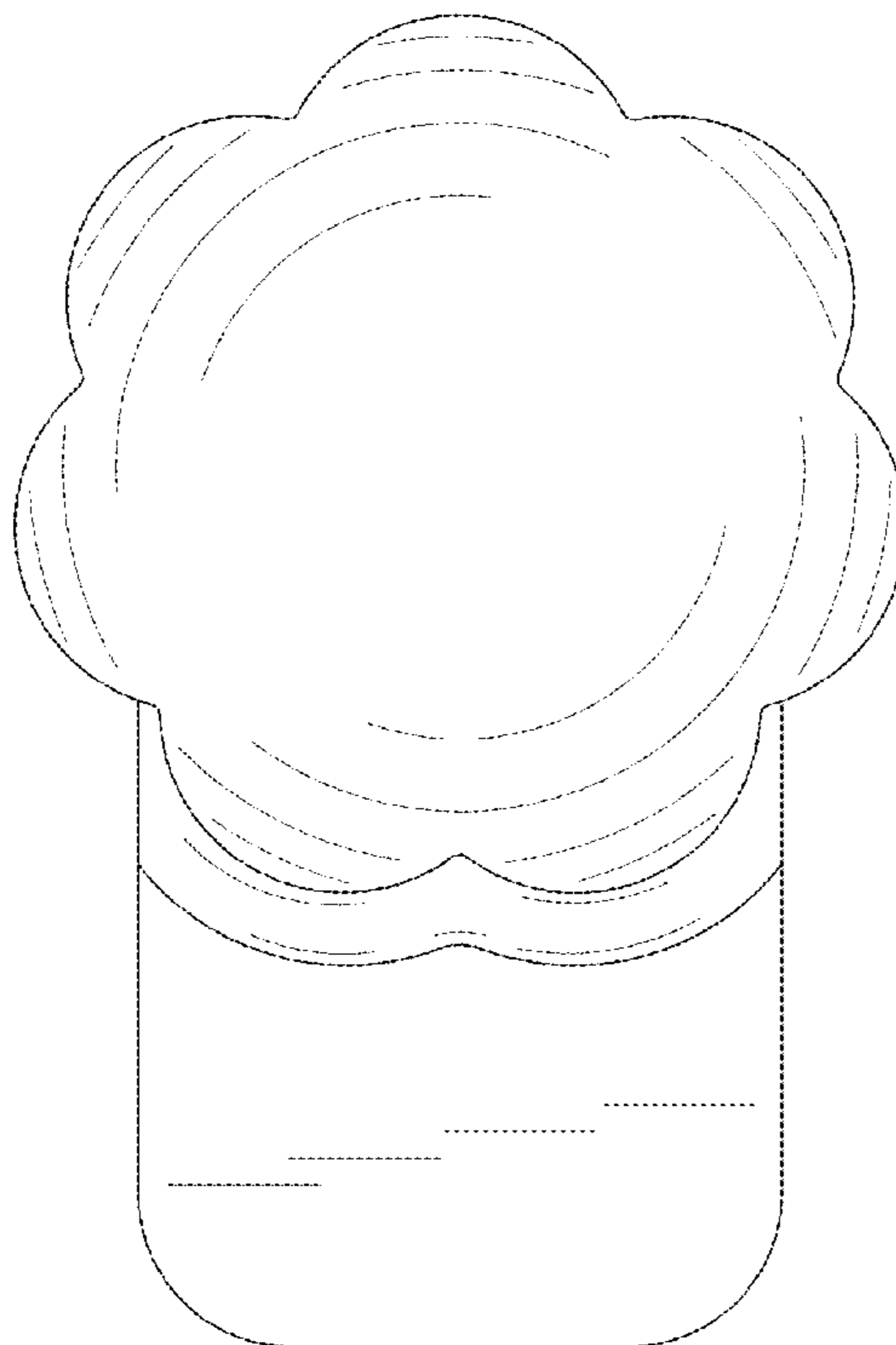
FIG. 1 is a front elevational view of a breast lift nipple cover showing my new design;  
 FIG. 2 is a rear elevational view thereof;  
 FIG. 3 is a left side view thereof;  
 FIG. 4 is a right side view thereof;  
 FIG. 5 is a top plan view thereof;  
 FIG. 6 is a bottom plan view thereof;  
 FIG. 7 is a bottom, front, and left side perspective view thereof; and,  
 FIG. 8 is a bottom, rear, and left side perspective view thereof.

(56) **References Cited**

**U.S. PATENT DOCUMENTS**

- 212,184 A \* 2/1879 Bryson ..... A41C 3/144  
450/57
- D485,965 S \* 2/2004 Slimak ..... D2/706
- D497,996 S \* 11/2004 Rodriguez ..... D2/706
- 6,857,935 B1 \* 2/2005 Dohan ..... A41C 3/065  
2/244
- D581,129 S \* 11/2008 Marshall ..... D2/706
- D601,305 S \* 9/2009 Bryan ..... D29/100
- 8,038,660 B2 \* 10/2011 Bruce ..... A61F 13/141  
128/890

**1 Claim, 5 Drawing Sheets**



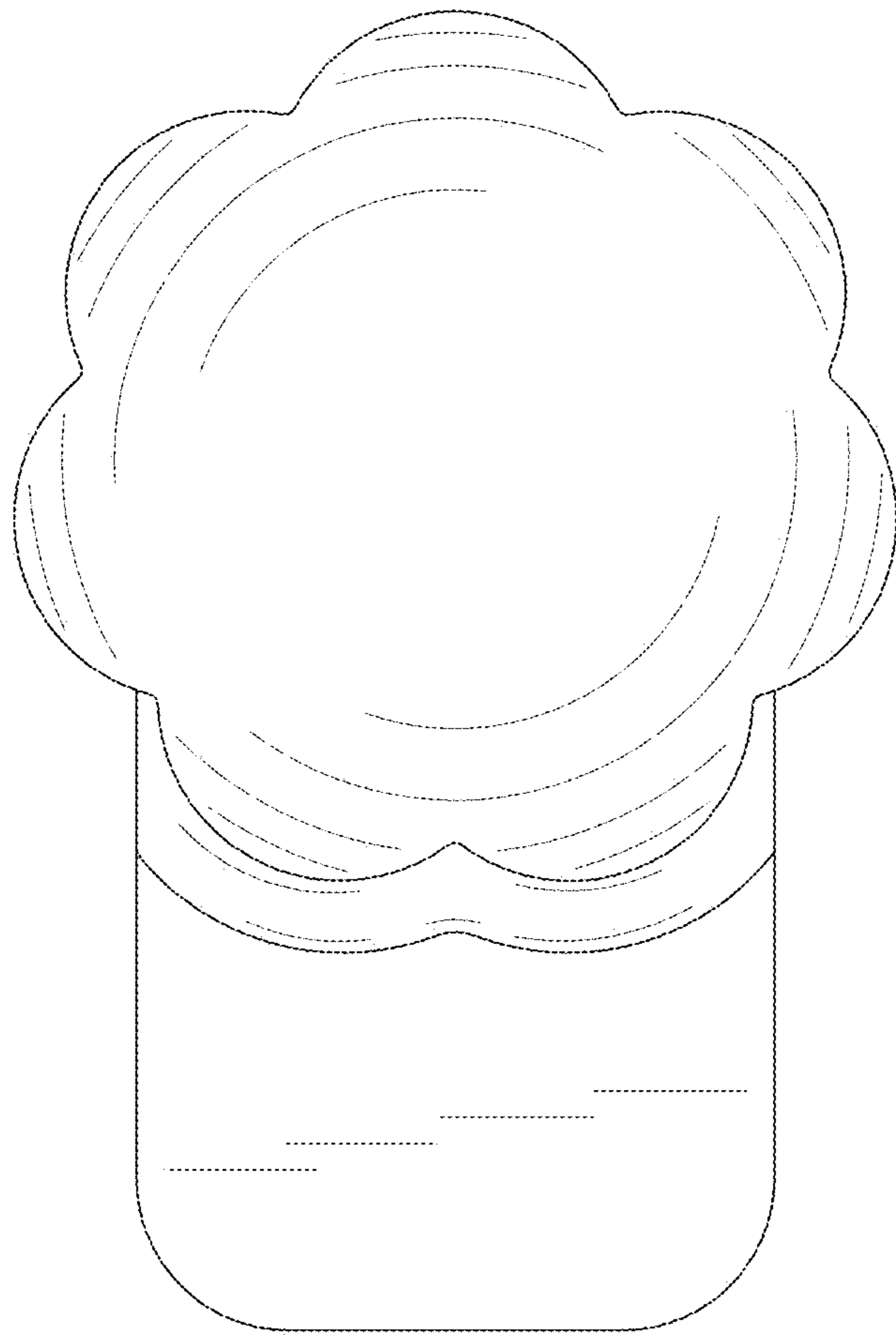


FIG.1

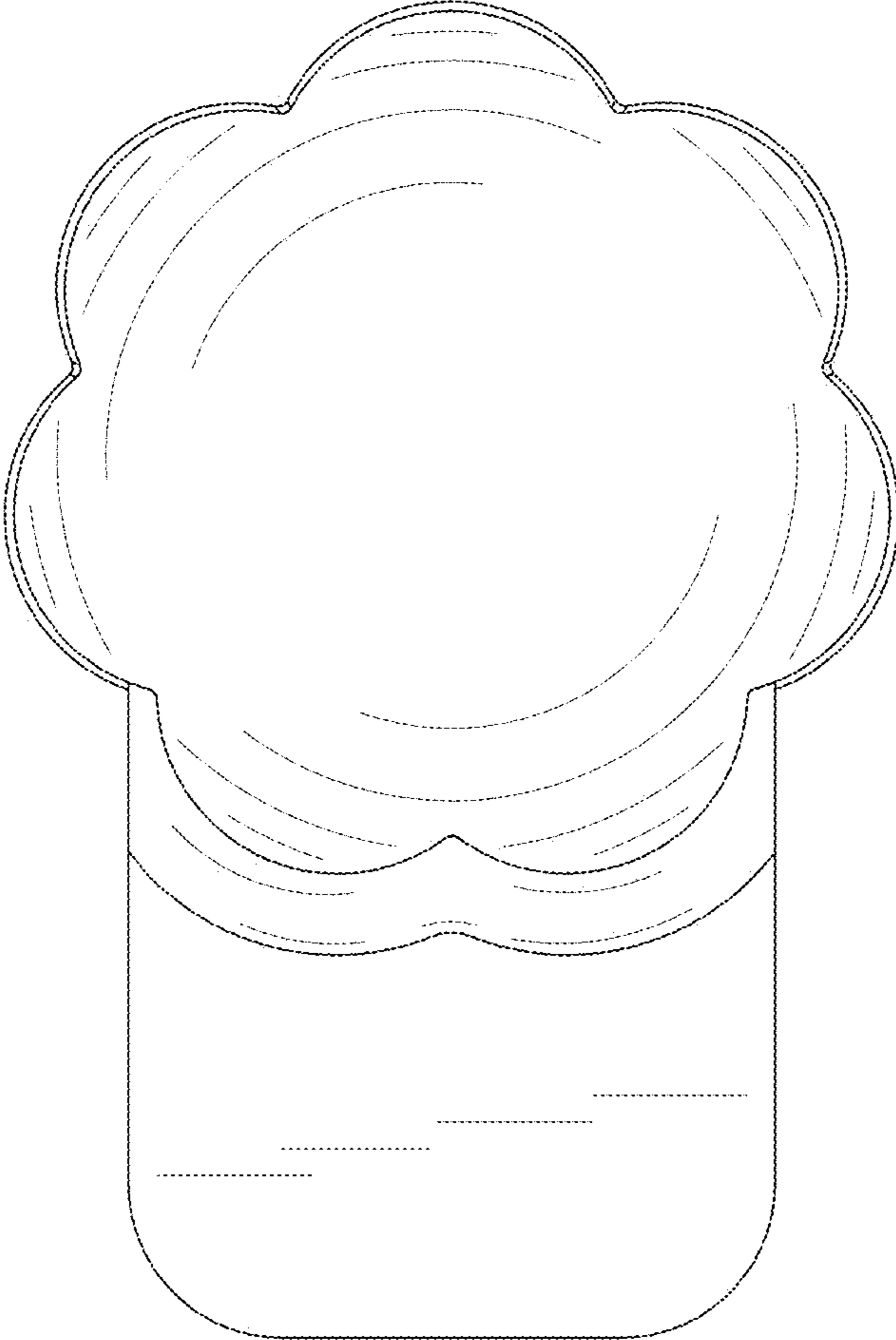


FIG.2

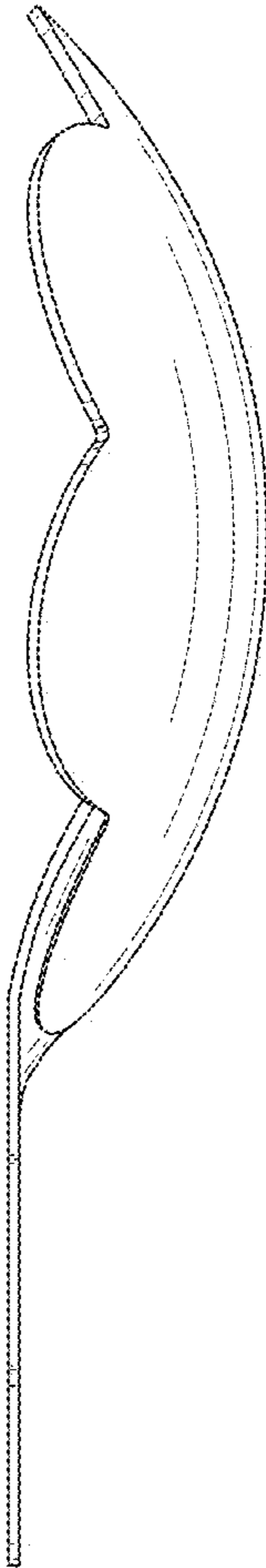


FIG.3

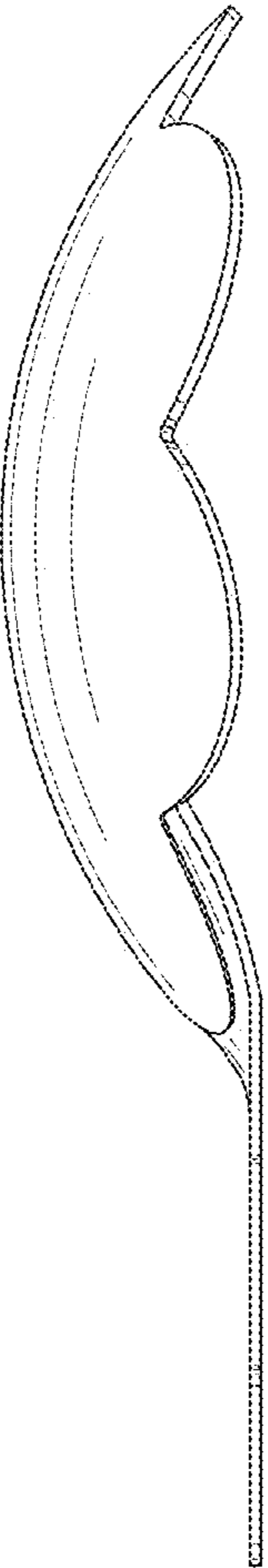


FIG.4

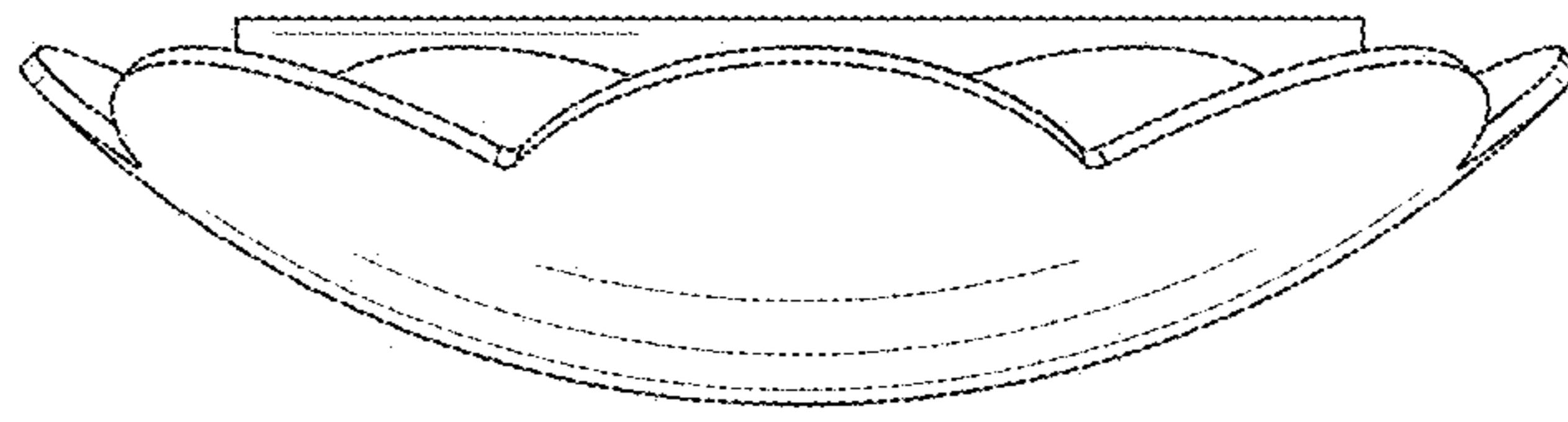


FIG. 5

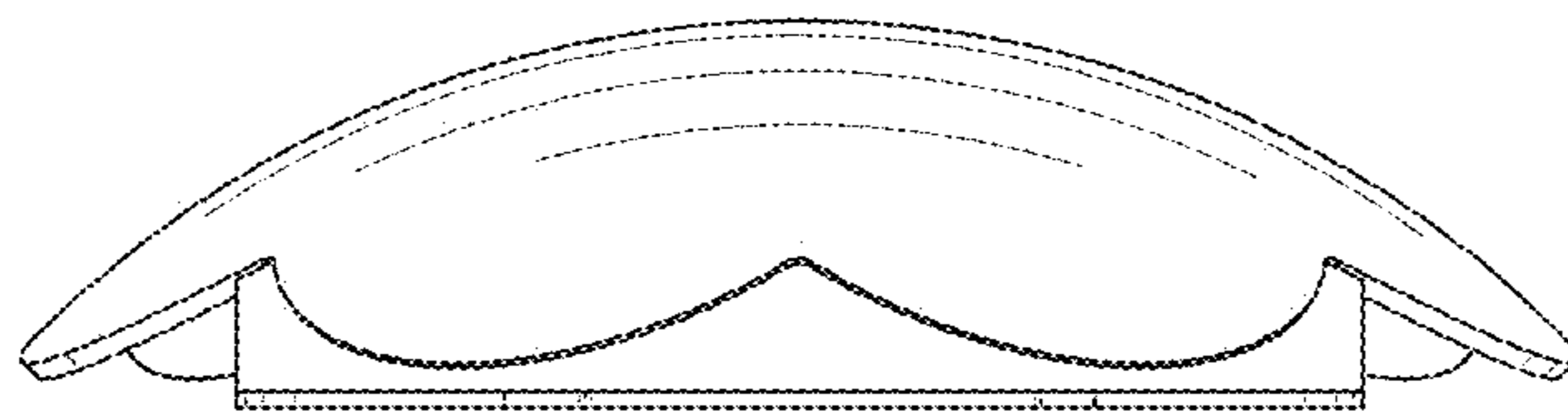


FIG. 6

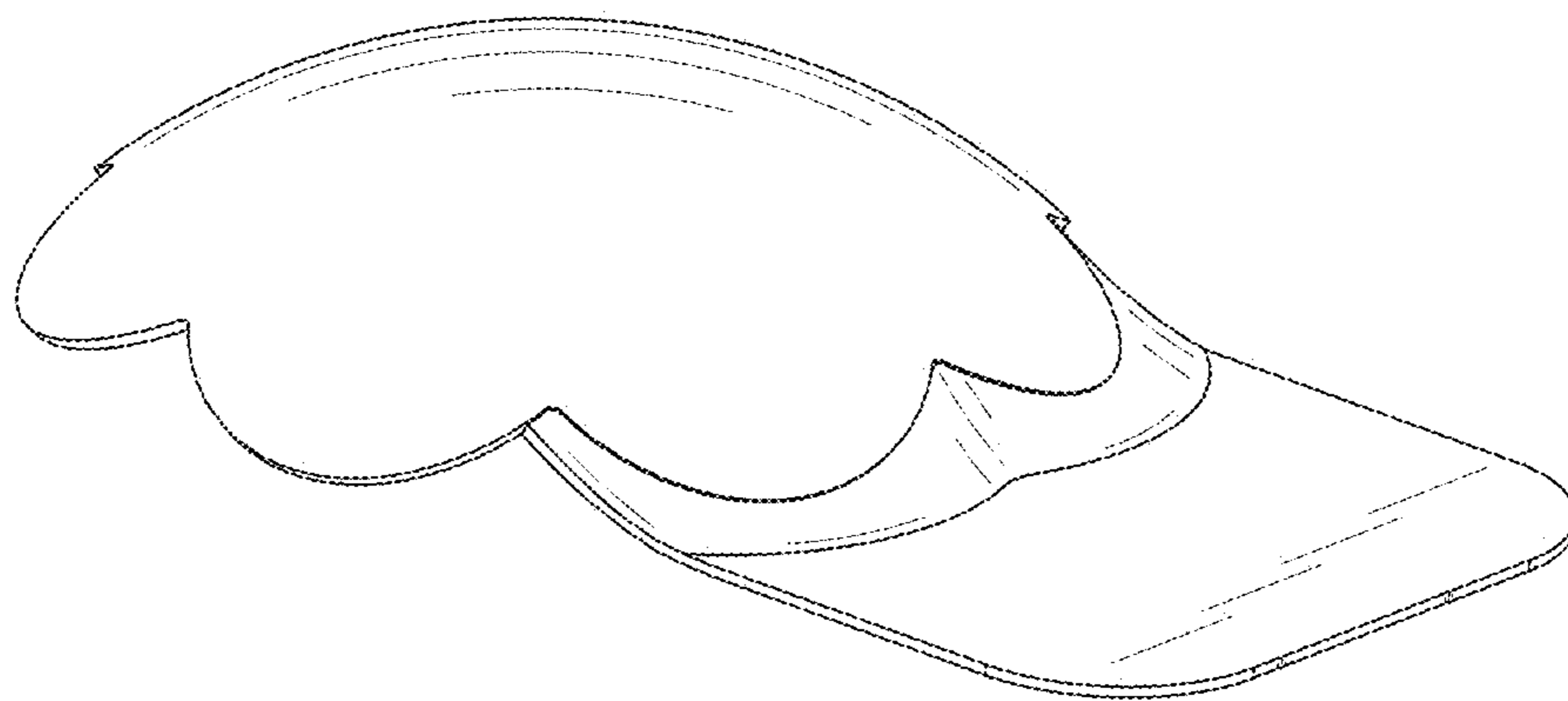


FIG. 7

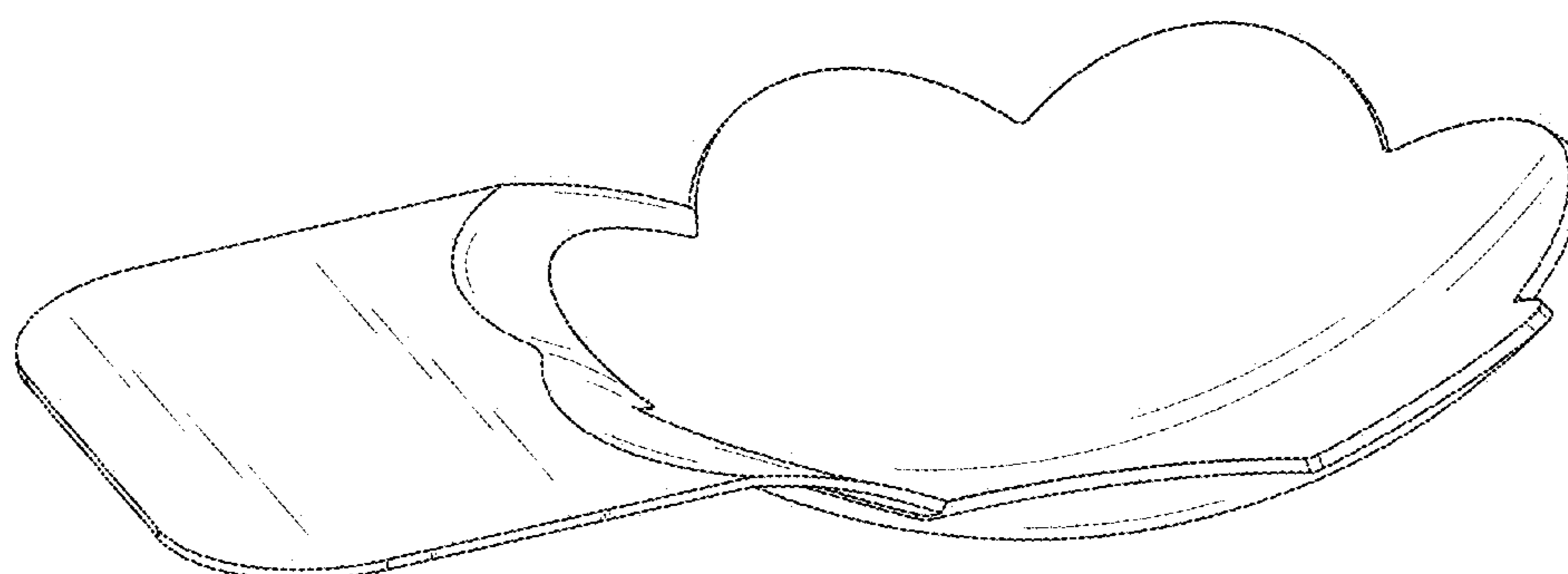


FIG. 8