



US00D907321S

(12) **United States Design Patent**  
**Thrasher**

(10) **Patent No.:** **US D907,321 S**  
(45) **Date of Patent:** **\*\* Jan. 5, 2021**

(54) **MESH LID COVER**

(71) Applicant: **Zachariah Thrasher**, Orlando, FL (US)

(72) Inventor: **Zachariah Thrasher**, Orlando, FL (US)

(\*\*) Term: **15 Years**

(21) Appl. No.: **29/679,253**

(22) Filed: **Feb. 4, 2019**

(51) **LOC (13) Cl.** ..... **09-09**

(52) **U.S. Cl.**  
USPC ..... **D34/11**

(58) **Field of Classification Search**

USPC ..... D34/1-7, 10-15, 17, 19-23, 28, 29, 34,  
D34/38; D6/330, 335, 601, 582, 686;  
D29/121.1; D7/391  
CPC ..... B65F 1/16; B65F 1/1607; B65F 1/1615;  
B65F 1/004; B65F 2003/003; B65D  
21/0209; B65D 88/121; B65D 43/02;  
Y10S 220/908

See application file for complete search history.

(56) **References Cited**

**U.S. PATENT DOCUMENTS**

D495,922 S \* 9/2004 Settele ..... D7/391  
10,285,395 B1 \* 5/2019 Ehrenberg ..... B65F 1/1615

D853,064 S \* 7/2019 Chen ..... D34/9  
2009/0200844 A1 \* 8/2009 Tibaldo ..... A47D 13/10  
297/219.12  
2018/0279824 A1 \* 10/2018 Birmingham ..... B65D 81/38

\* cited by examiner

*Primary Examiner* — George A Bugg  
*Assistant Examiner* — Tamara L Hahn

(74) *Attorney, Agent, or Firm* — The Rapacke Law Group P.A.

(57) **CLAIM**

The ornamental design for a mesh lid cover, as shown and described.

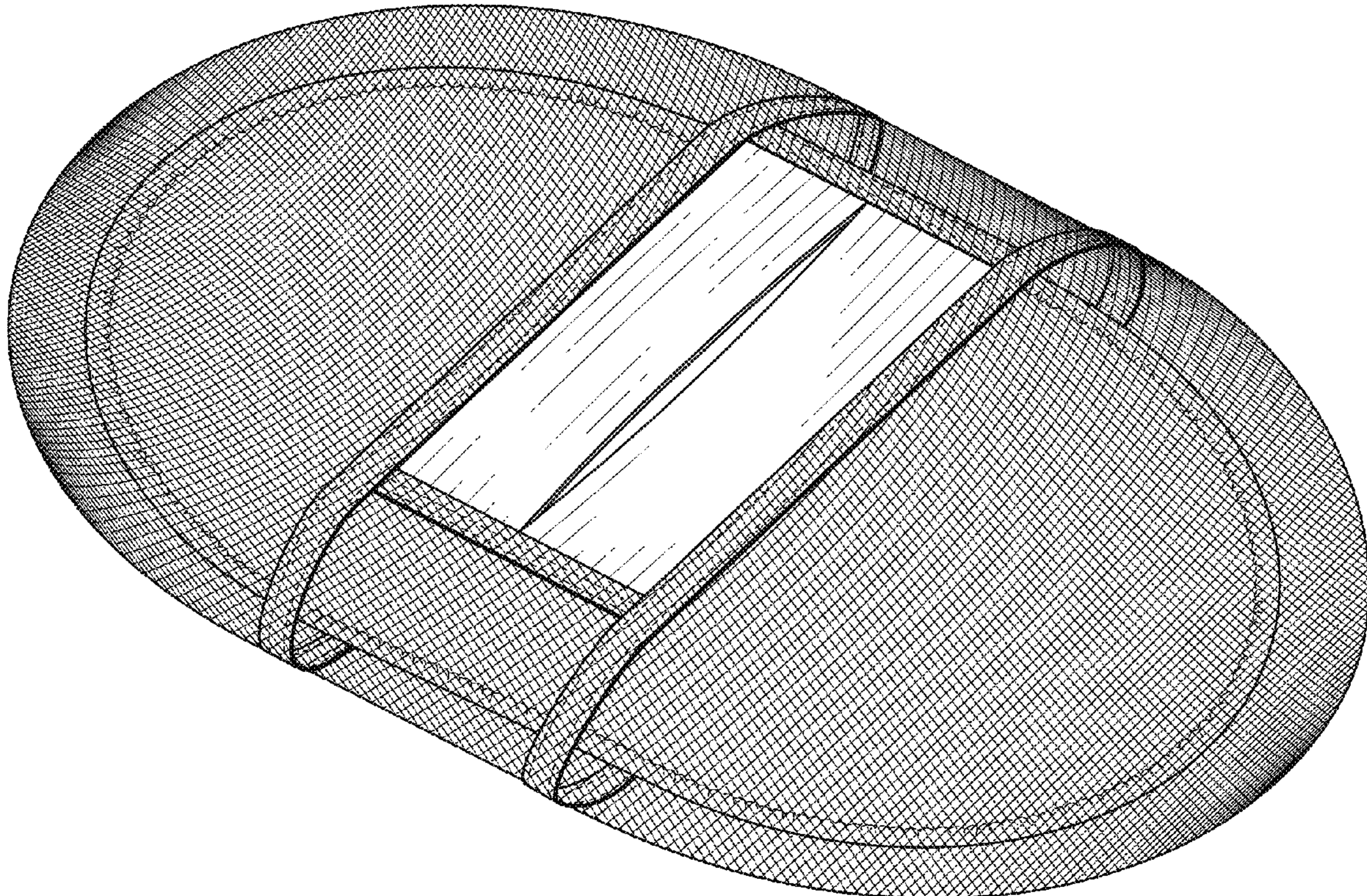
**DESCRIPTION**

FIG. 1 is a front perspective view of the mesh lid cover showing the new design;  
FIG. 2 is a front elevational view of the mesh lid cover thereof;  
FIG. 3 is a right side elevational view of the mesh lid cover thereof;  
FIG. 4 is a top plan view of the mesh lid cover thereof;  
FIG. 5 is a bottom plan view of the mesh lid cover; and,  
FIG. 6 is an environmental perspective view of the mesh lid cover thereof.

A left side elevational view is omitted as it is a mirror image of the left side view shown in FIG. 3.

The broken lines shown in FIG. 6 represent features which are not part of the claimed mesh lid cover.

**1 Claim, 5 Drawing Sheets**



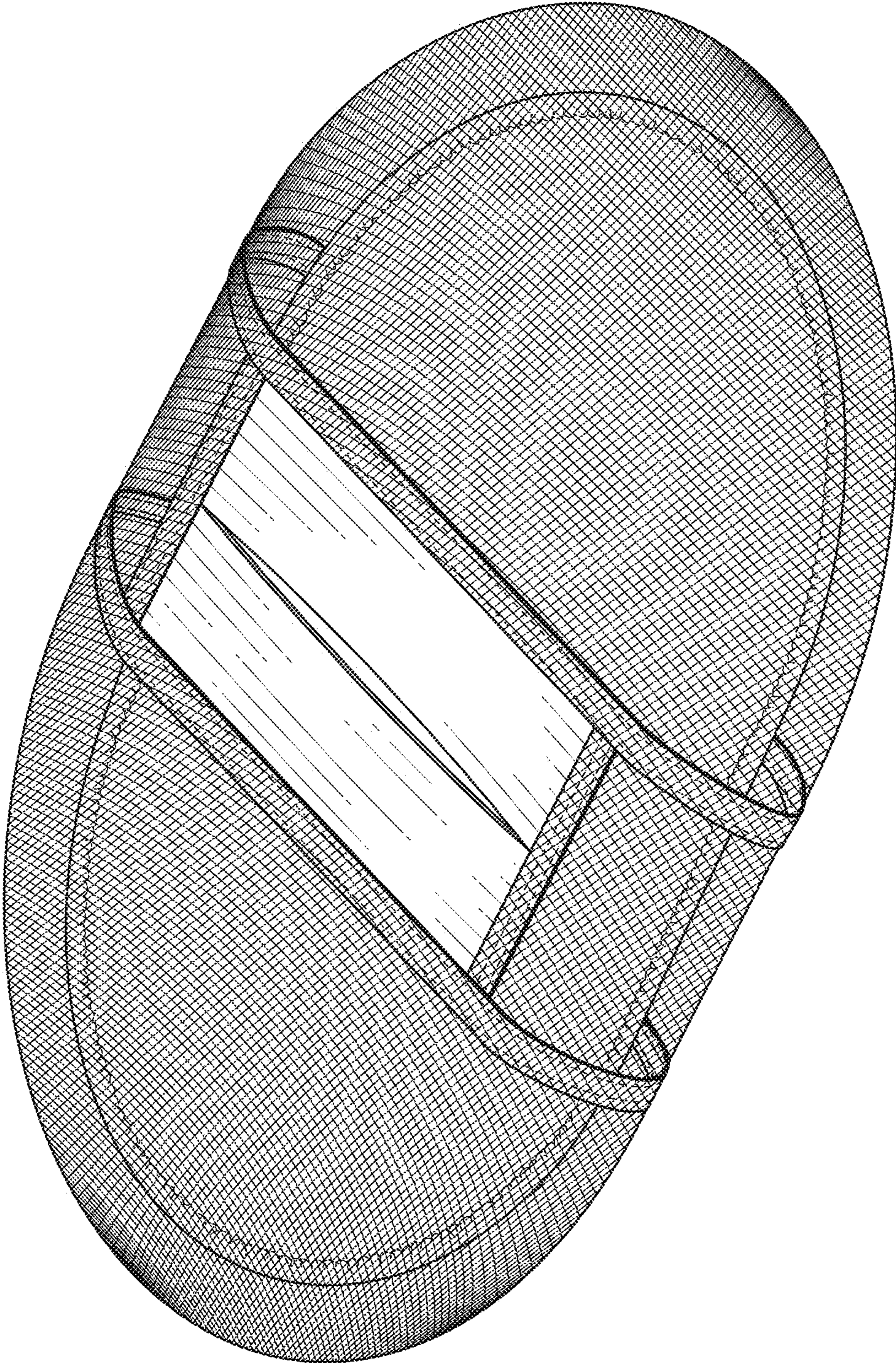
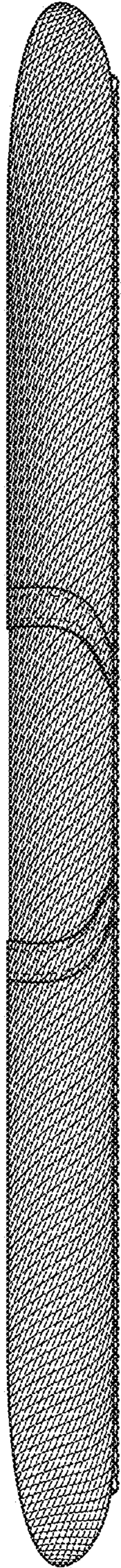
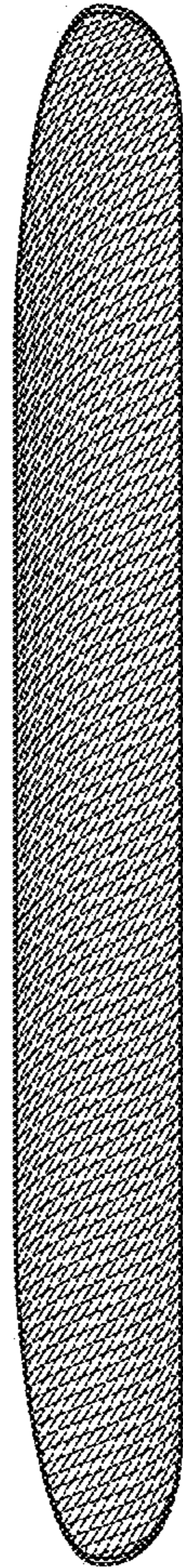


FIG. 1



*FIG. 2*



*FIG. 3*

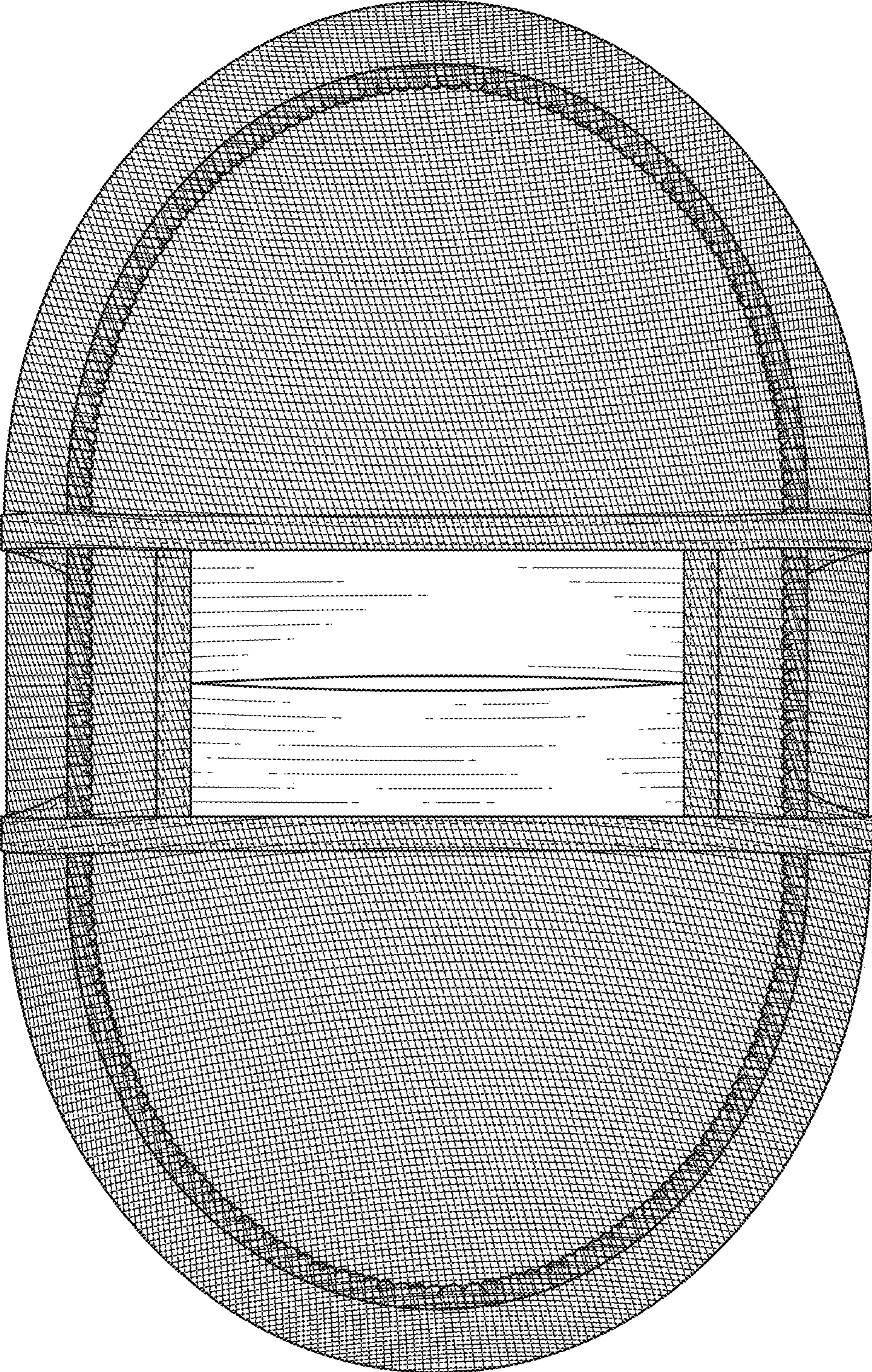
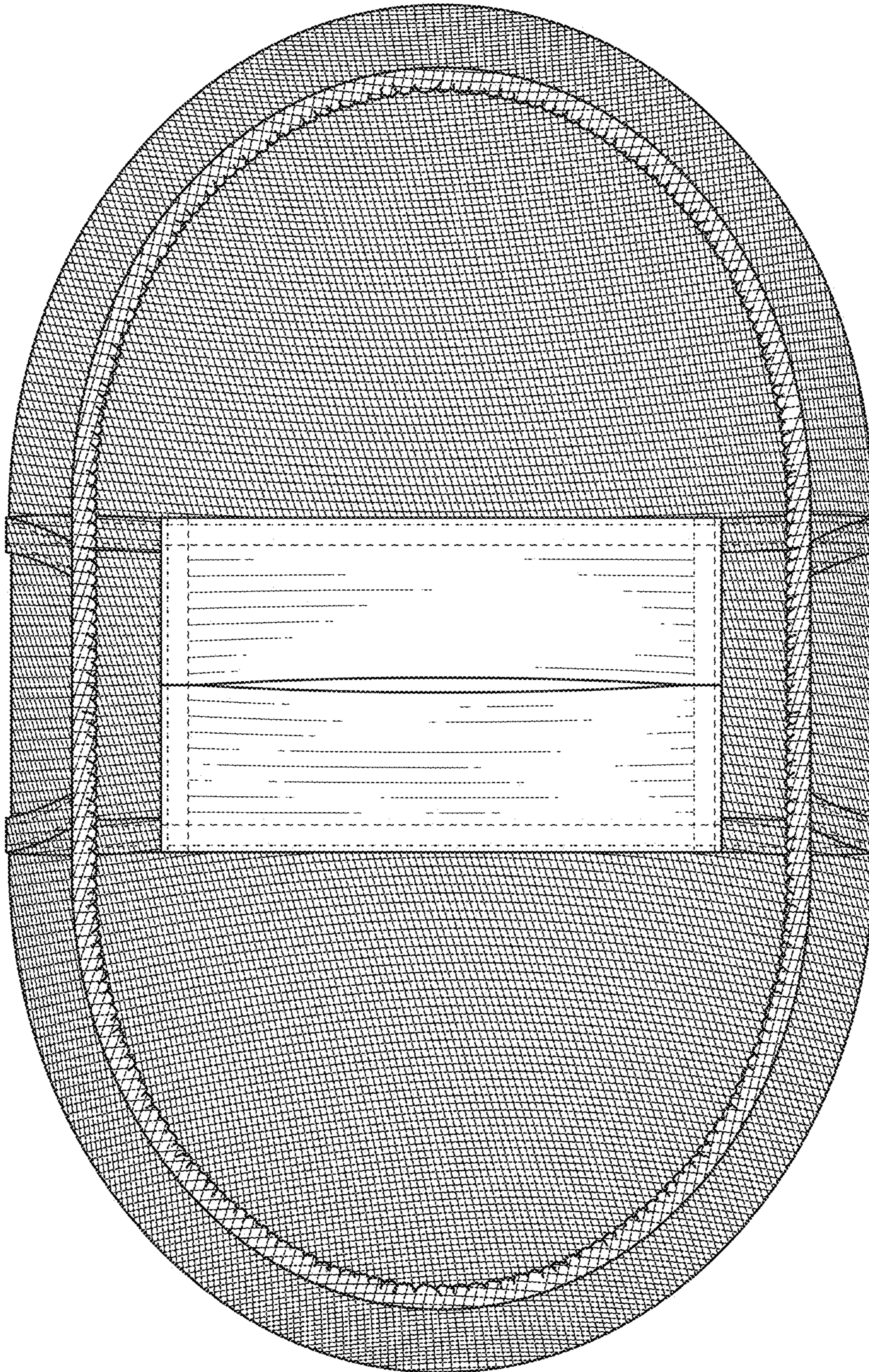
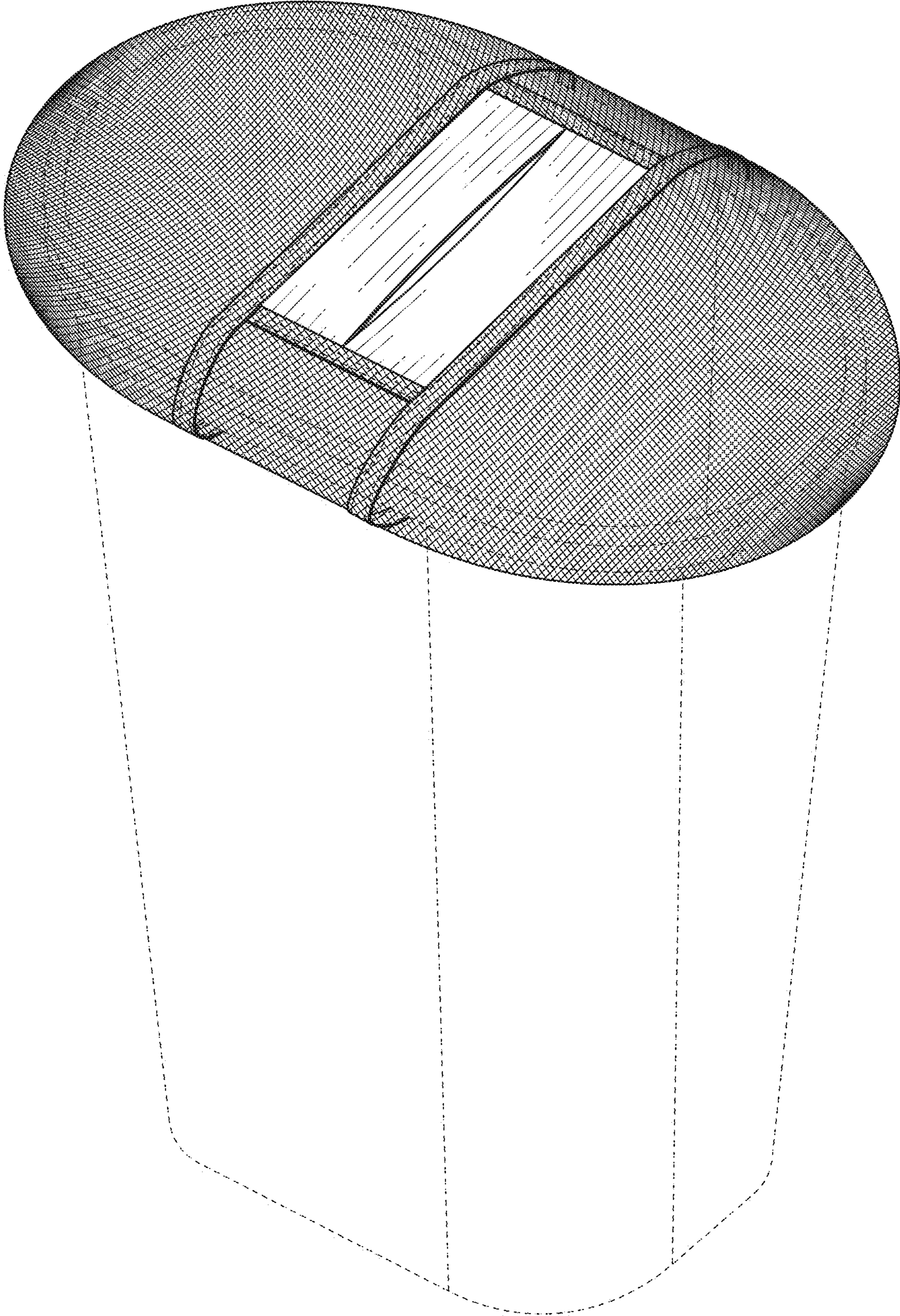


FIG. 4



*FIG. 5*



**FIG. 6**