

US00D907315S

(12) **United States Design Patent** (10) **Patent No.:** **US D907,315 S**
Tokoi (45) **Date of Patent:** **** Jan. 5, 2021**

(54) **VACUUM CLEANER**

(71) Applicant: **IRIS OHYAMA INC.**, Sendai (JP)

(72) Inventor: **Shohei Tokoi**, Kakuda (JP)

(73) Assignee: **IRIS OHYAMA INC.**, Sendai (JP)

(**) Term: **15 Years**

(21) Appl. No.: **29/671,769**

(22) Filed: **Nov. 29, 2018**

(30) **Foreign Application Priority Data**

May 29, 2018 (JP) 2018-011730

(51) **LOC (13) Cl.** **15-05**

(52) **U.S. Cl.**
USPC **D32/34; D32/22**

(58) **Field of Classification Search**
USPC D32/15-25, 29, 31-34
CPC . A47L 9/00; A47L 9/0063; A47L 9/02; A47L 9/04; A47L 9/0422; A47L 9/32; A47L 9/322; A47L 9/325; A47L 9/327; A47L 11/00; A47L 11/22; A47L 11/24; A47L 11/32; A47L 11/4075; A47L 11/4094; A47L 11/20; A47L 11/40; A47L 5/24; A47L 5/28; A47L 7/02; A47L 5/225; A47L 5/36; A47L 9/0018

See application file for complete search history.

(56) **References Cited**

U.S. PATENT DOCUMENTS

D280,033 S * 8/1985 Miyamoto D32/18
D290,894 S * 7/1987 Miyamoto D32/18
D743,125 S * 11/2015 Lee D32/22
D771,890 S * 11/2016 Kim D32/34
D772,512 S * 11/2016 Yoon D32/34
D789,633 S * 6/2017 Meyer D32/31
D792,040 S * 7/2017 Meyer D32/22
10,080,471 B2 * 9/2018 Reimer A47L 5/30
D861,268 S * 9/2019 Meyer D32/22

D862,011 S * 10/2019 Kim D32/22
2019/0021562 A1 * 1/2019 Shiozawa F04D 25/0606
2019/0167055 A1 * 6/2019 Tahara A47L 9/1666
2019/0208974 A1 * 7/2019 Oka A47L 9/246

FOREIGN PATENT DOCUMENTS

JP 1567165 S 1/2017
JP 1580527 S 7/2017

OTHER PUBLICATIONS

IRIS Ohyama cordless stick IC-SLDCP6 (on-line), no date available. Retrieved from Internet Jun. 17, 2020, URL: <https://global.rakuten.com/en/store/bandc/item/273762/> (6 pages).
Sharp Corporation; Cordless stick vacuum cleaner "Ractive Air (EC-Air)" released; Nov. 10, 2016; Total 4 pages; <http://www.sharp.co.jp/corporate/news/16110-a.html>; Japan, (Japan Patent Office Design Patent Department, publicly known reference No. HJ28055830).

* cited by examiner

Primary Examiner — Kimberly Barnes
(74) *Attorney, Agent, or Firm* — Studebaker & Brackett PC

(57) **CLAIM**

The ornamental design for a vacuum cleaner, as shown and described.

DESCRIPTION

FIG. 1 is a front, top and right-side perspective view of a vacuum cleaner showing my new design;
FIG. 2 is a front view thereof;
FIG. 3 is a rear view thereof;
FIG. 4 is a top view thereof;
FIG. 5 is a bottom view thereof;
FIG. 6 is a right-side view thereof; and,
FIG. 7 is a left-side view thereof.
The broken lines shown represent portions of the vacuum cleaner that form no part of the claimed design.

1 Claim, 6 Drawing Sheets

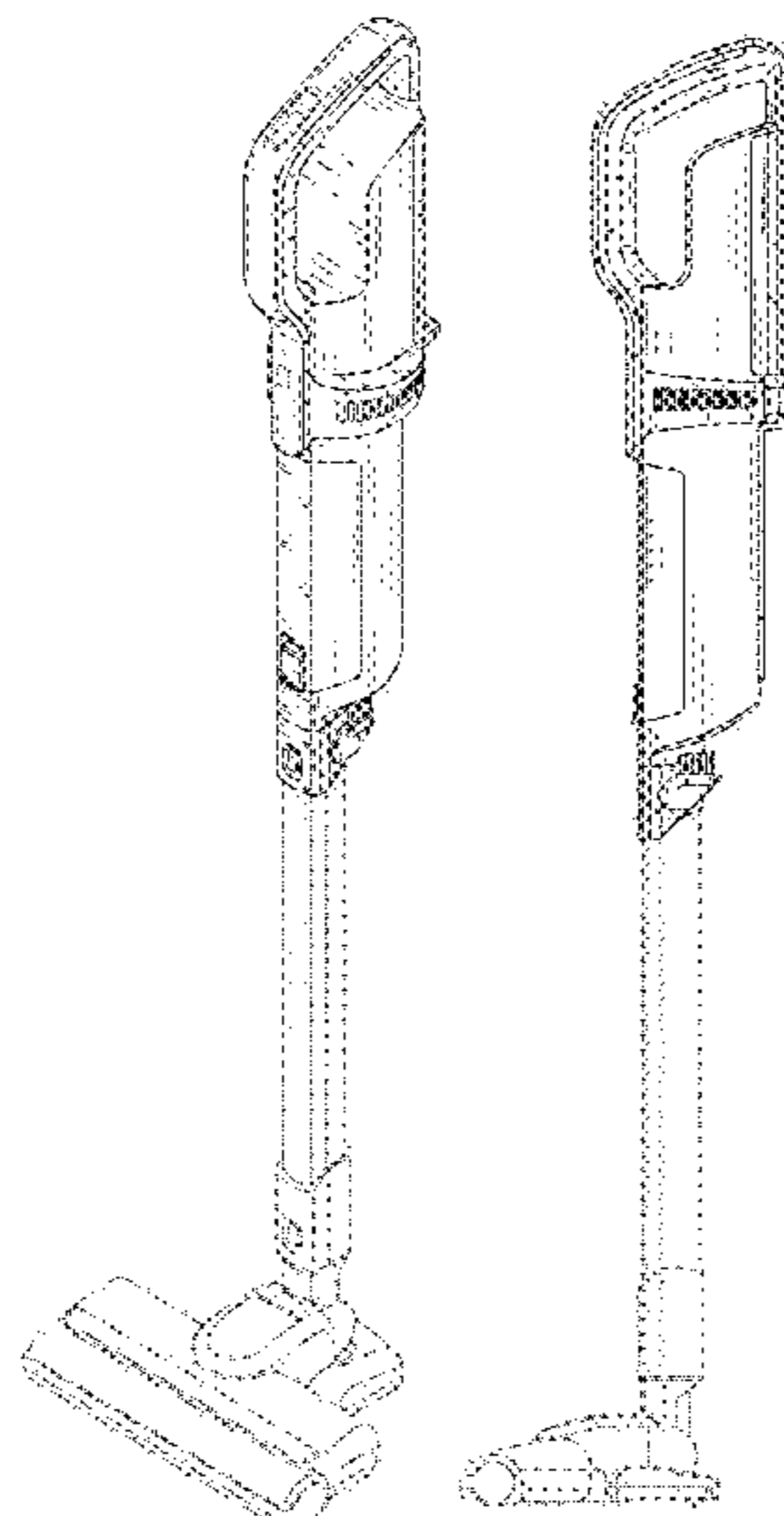


FIG. 1

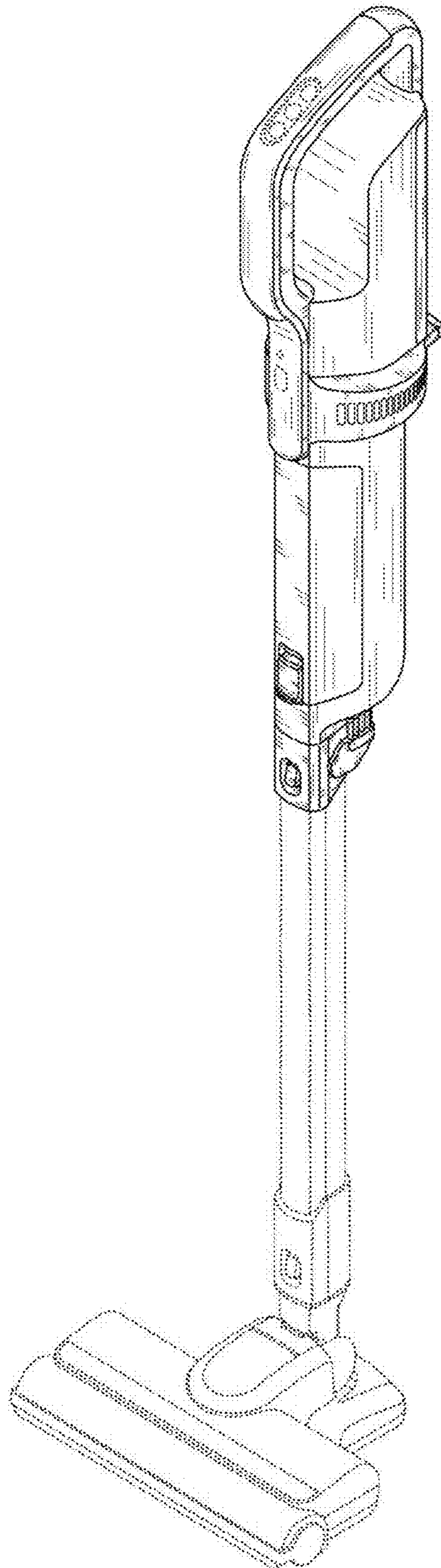


FIG. 2

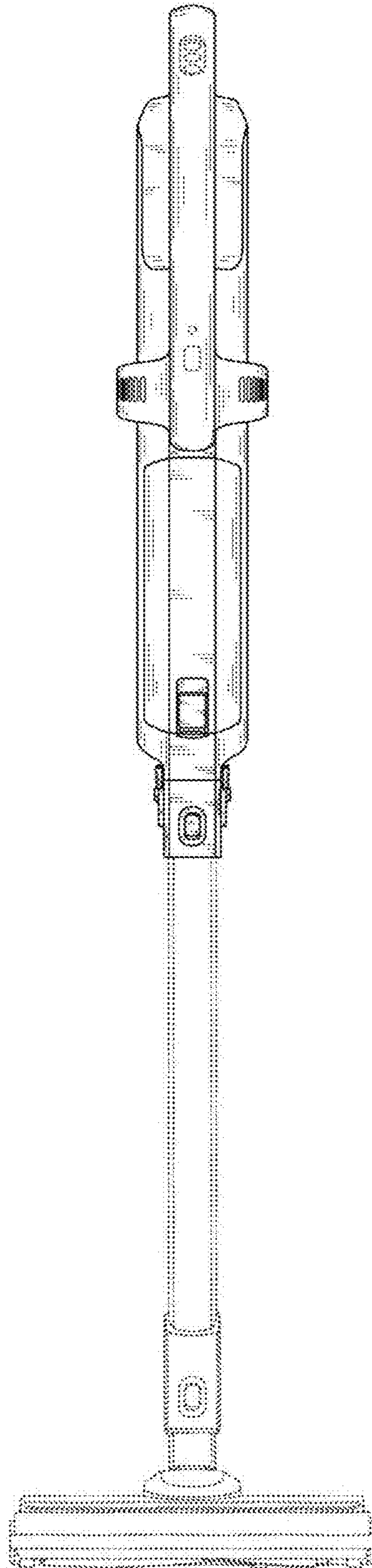


FIG. 3

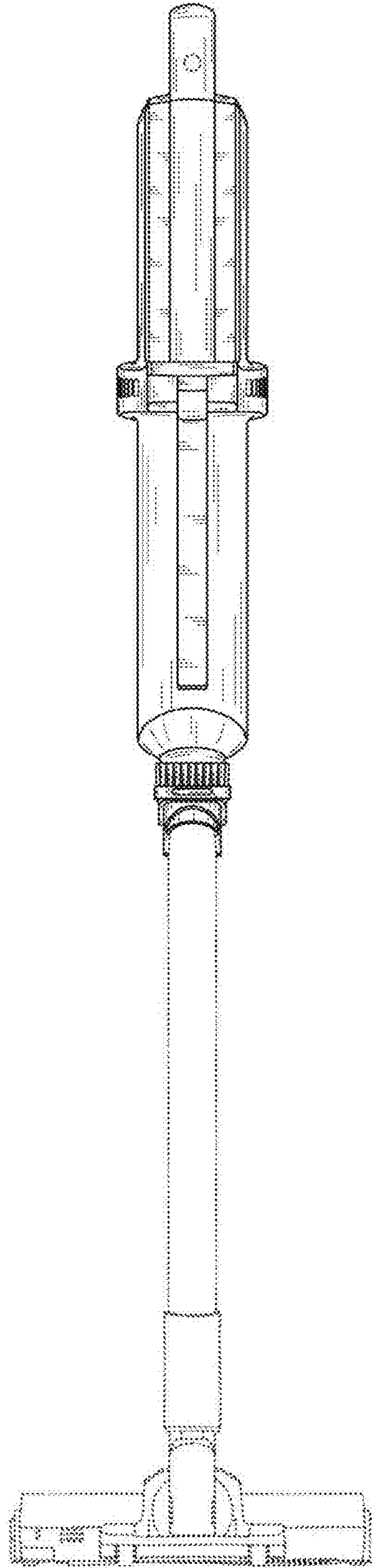


FIG. 4

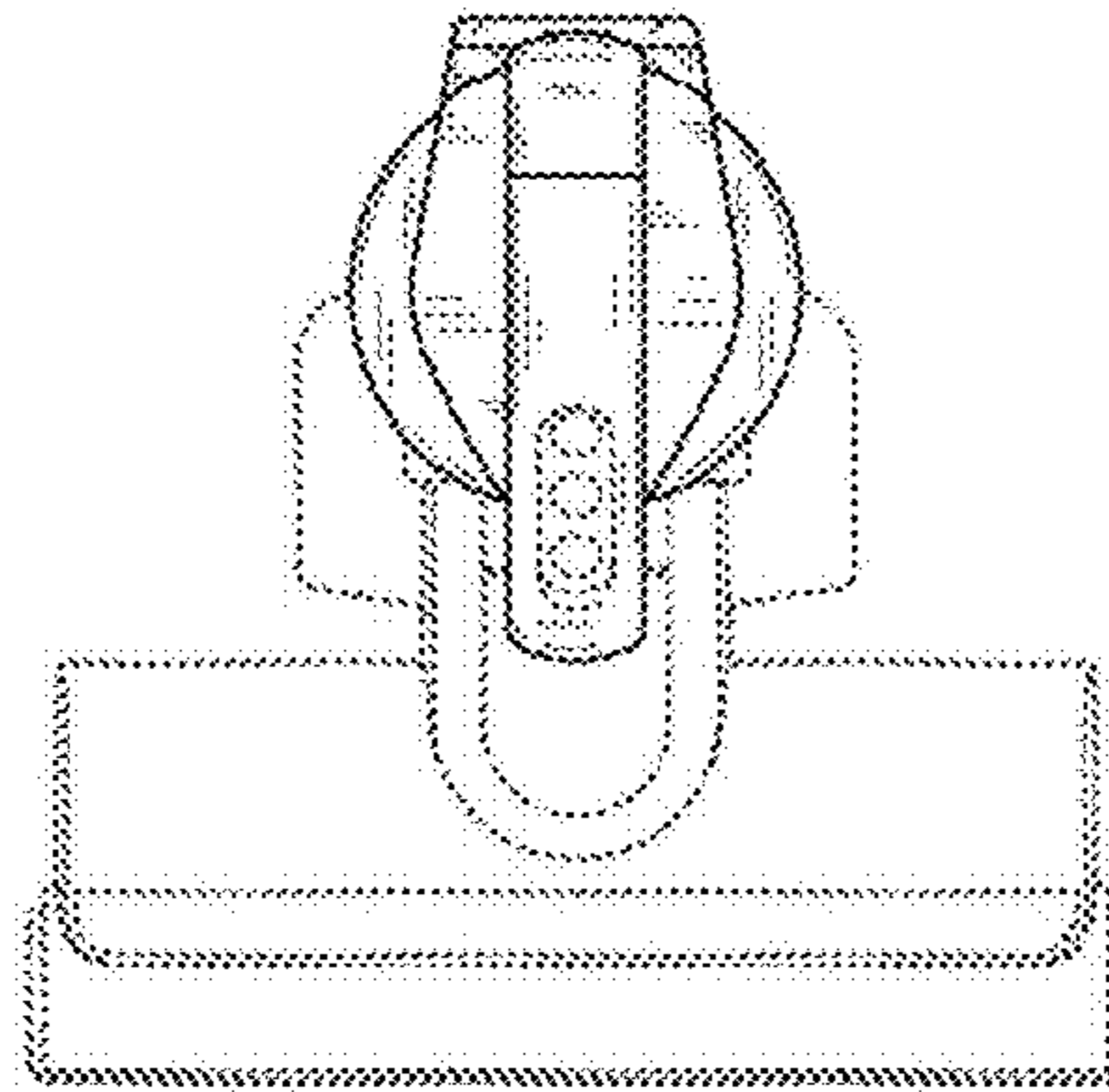


FIG. 5

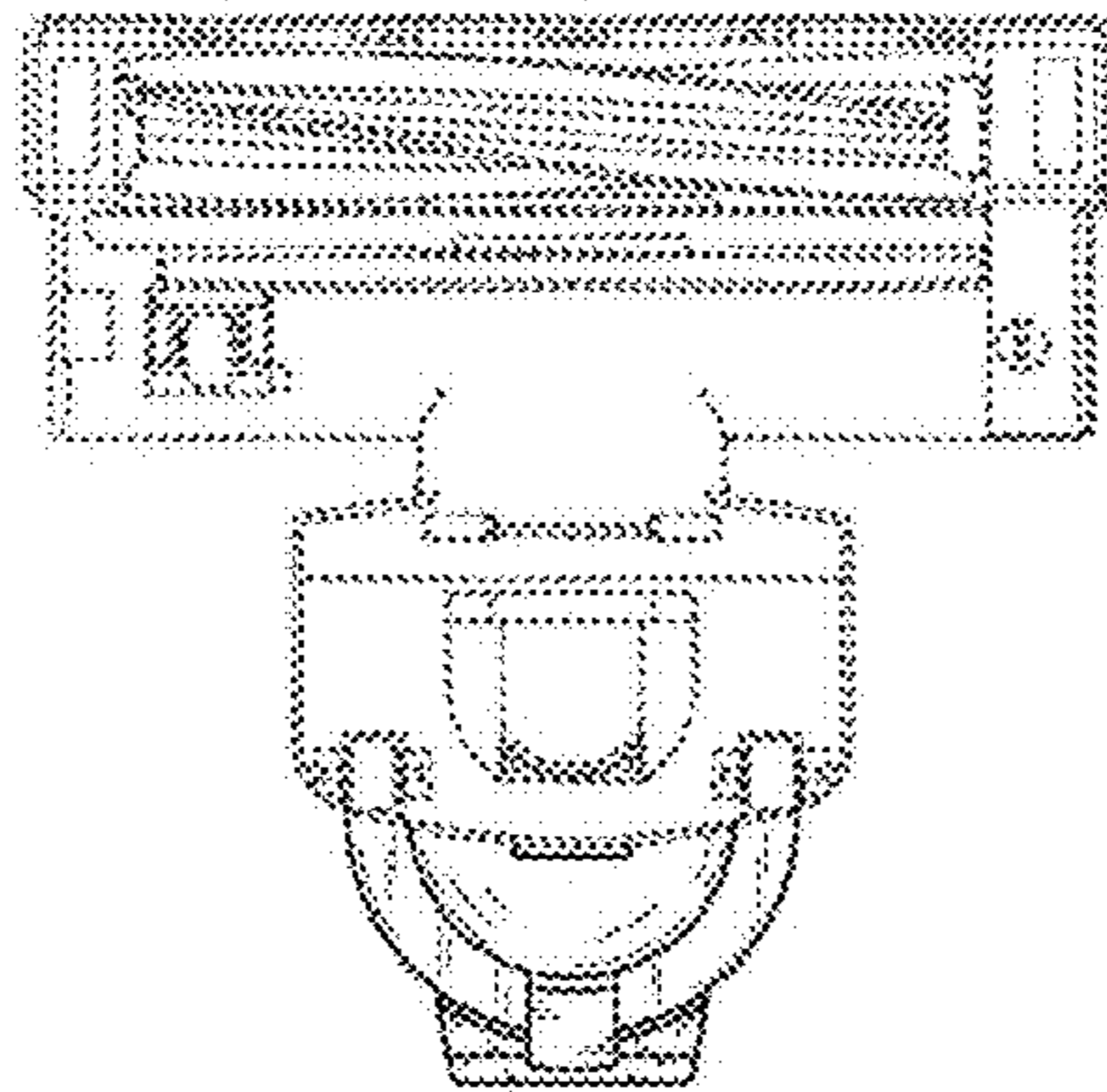


FIG. 6

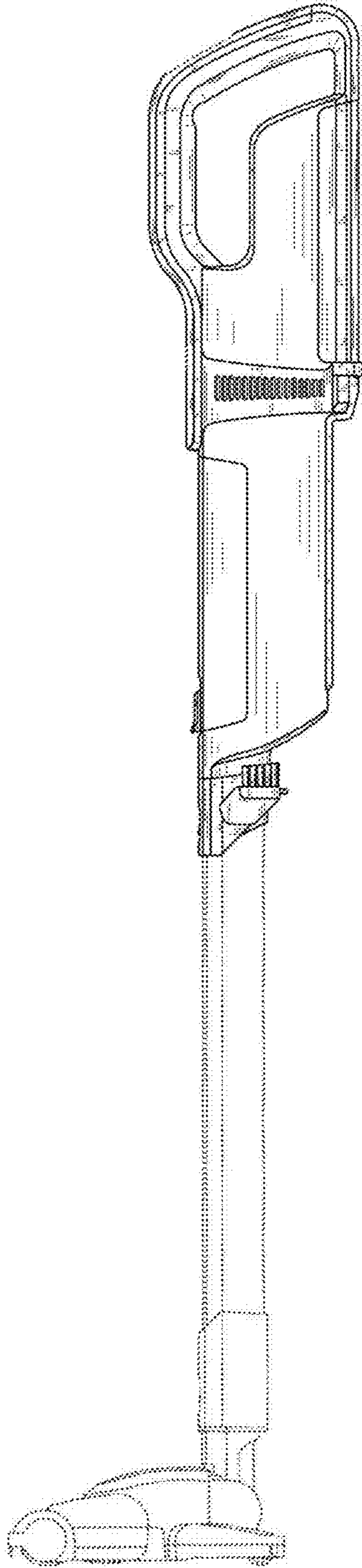


FIG. 7

