



US00D907313S

(12) **United States Design Patent** (10) **Patent No.:** **US D907,313 S**  
**Tu** (45) **Date of Patent:** **\*\* Jan. 5, 2021**

(54) **NAIL POLISHER FOR ANIMALS**

(71) Applicant: **Zhushi Tu**, Hubei (CN)

(72) Inventor: **Zhushi Tu**, Hubei (CN)

(\*\*) Term: **15 Years**

(21) Appl. No.: **29/719,638**

(22) Filed: **Jan. 6, 2020**

(30) **Foreign Application Priority Data**

Jul. 8, 2019 (CN) ..... 2019 3 0360918

(51) **LOC (13) Cl.** ..... **30-99**

(52) **U.S. Cl.**  
USPC ..... **D30/158**

(58) **Field of Classification Search**  
USPC ..... D30/158, 199; 119/600, 468, 607-611, 119/627, 633, 663, 601; D28/59, 36, 58, D28/44, 49, 50, 53, 85, 44.1, 51, 63; D8/61, 62, 82, DIG. 7; D24/147, 146, D24/214, 215, 200, 111, 133, 144, 156, D24/186; D4/100-102, 137, 119, 120; 132/73.6, 75.8, 76.4, 73.5, 75.3, 75.6, 132/76.5, 118, 119.1, 75.4, 75.5, 75; 30/26, 29.5, 43, 43.4-43.6, 41.5, 206, 30/133, 276, 29, 277.4, 240, 210, 43.92, 30/392, 167, 329, 169; 15/23, 28, 22.1, 15/101, 65, 104.04, 88, 104.095, 97.1, 15/179; 451/356, 162-164; 452/98; 81/3.42, 177.7, 57.26, 57.11, 58.3; 606/85, 131; 83/698.11, 520; 362/120; 206/368; 392/380, 384; 173/29, 217, 173/216; 310/50; 464/53; 601/70; D15/132; 433/133, 130, 125, 127, 166, 433/126, 132; 279/51, 147; D26/49, 37; D9/723, 529, 530, 548  
CPC ..... A01K 13/00; A01K 13/001; A45D 29/05; A45D 29/06; A45D 29/11; A45D 29/14; A45D 29/00

See application file for complete search history.

(56) **References Cited**

U.S. PATENT DOCUMENTS

D264,679 S *	6/1982	Funkhouser	.....	D19/901
D266,111 S *	9/1982	Doyel	.....	D28/58
D303,205 S *	9/1989	Gierke	.....	D8/61
D304,543 S *	11/1989	Somers	.....	D8/61
D316,216 S *	4/1991	Gierke	.....	D8/61
D320,727 S *	10/1991	Fushiya	.....	D8/62
D347,283 S *	5/1994	Von Winckler	.....	D24/200
D376,048 S *	12/1996	Gerhart	.....	D4/114
D380,658 S *	7/1997	Bruno	.....	D24/146
D423,897 S *	5/2000	Cooper	.....	D8/61
D452,589 S *	12/2001	Lie	.....	D28/58

(Continued)

*Primary Examiner* — Susan Moon Lee

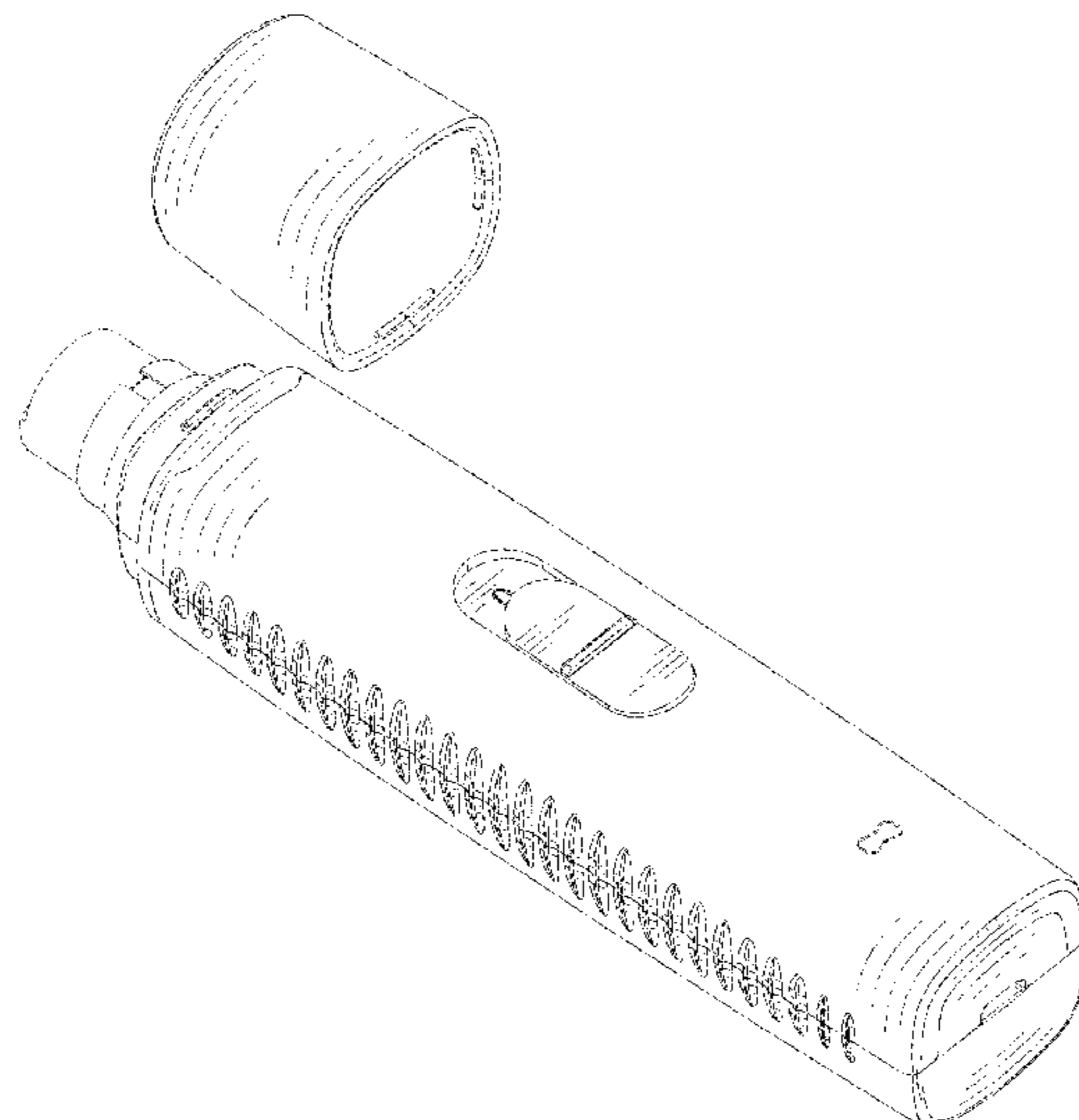
(57) **CLAIM**

The ornamental design for a nail polisher for animals, as shown and described.

**DESCRIPTION**

FIG. 1 is a front elevational view of a nail polisher for animals showing my new design; FIG. 2 is a rear elevational view thereof; FIG. 3 is a right side view thereof; FIG. 4 is a left side view thereof; FIG. 5 is a top plan view thereof; FIG. 6 is a bottom plan view thereof; FIG. 7 is a bottom, front and left side perspective view thereof; FIG. 8 is a bottom, front and left side perspective view showing the nail polisher for animals in an open state; and, FIG. 9 is an enlarged view of portion 9 in FIG. 7. The broken lines in the drawings illustrate portions of the nail polisher for animals which form no part of the claimed design.

**1 Claim, 8 Drawing Sheets**



(56)

References Cited

U.S. PATENT DOCUMENTS

D458,679 S *	6/2002	Thompson	.....	D24/133	D846,738 S *	4/2019	Kalina, Jr.	.....	D24/133
6,523,546 B2 *	2/2003	Jo	.....	A61B 17/54	D847,333 S *	4/2019	Theobald	.....	D24/133
				132/75	D850,638 S *	6/2019	Cha	.....	D24/200
D472,969 S *	4/2003	Wilden	.....	D24/133	D854,257 S *	7/2019	Hollinger	.....	D30/158
6,640,811 B2 *	11/2003	Cho	.....	A45D 29/05	D876,730 S *	2/2020	He	.....	D30/158
				132/73.6	2003/0102002 A1 *	6/2003	Cho	.....	A45D 29/05
D489,151 S *	4/2004	Krieger	.....	D32/15					132/73.6
D549,327 S *	8/2007	Aparici	.....	D24/133	2006/0150992 A1 *	7/2006	Nevakshonoff	.....	B24B 23/02
D592,746 S *	5/2009	Highley	.....	D24/133					132/73.6
D596,357 S *	7/2009	Rosen	.....	D30/158	2006/0289025 A1 *	12/2006	Nevakshonoff	.....	B24B 23/02
D600,413 S *	9/2009	Khubani	.....	D30/158					132/73.6
D601,873 S *	10/2009	Lau	.....	D8/62	2007/0186867 A1 *	8/2007	Mulloy	.....	A01K 13/00
D611,824 S *	3/2010	Akkermans	.....	D9/529					119/601
D619,707 S *	7/2010	East	.....	A61B 17/4241	2008/0099032 A1 *	5/2008	Jackson	.....	A45D 29/05
				D24/133					132/200
8,469,039 B2 *	6/2013	Jackson	.....	A45D 29/05	2008/0255586 A1 *	10/2008	Greenberg	.....	A61B 17/54
				132/200					606/131
D711,714 S *	8/2014	Sawaya	.....	D8/61	2010/0000557 A1 *	1/2010	Keene	.....	A45D 29/14
D736,999 S *	8/2015	Yiu	.....	D28/58					132/73.6
D748,784 S *	2/2016	Weitkamp	.....	D24/133	2011/0226268 A1 *	9/2011	Filonczuk	.....	A45D 29/05
D756,034 S *	5/2016	Yiu	.....	D28/58					132/73.6
D766,508 S *	9/2016	Wang	.....	D28/58	2011/0226270 A1 *	9/2011	Rivera	.....	A45D 29/05
D768,334 S *	10/2016	Langberg	.....	D28/58					132/73.6
D768,932 S *	10/2016	Langberg	.....	D28/58	2015/0051620 A1 *	2/2015	Presser	.....	A61B 17/54
D769,529 S *	10/2016	Langberg	.....	D28/58					606/131
D786,643 S *	5/2017	Valentini	.....	D8/62	2015/0150352 A1 *	6/2015	Yiu	.....	A61B 17/54
D788,980 S *	6/2017	Yiu	.....	D28/58					132/75.8
D788,982 S *	6/2017	Yiu	.....	D28/58	2015/0150353 A1 *	6/2015	Yiu	.....	A45D 29/14
D788,983 S *	6/2017	Yiu	.....	D28/62					132/75.6
D828,925 S *	9/2018	Levi	.....	D24/214	2015/0173484 A1 *	6/2015	Fitzsimons	.....	A45D 29/02
D842,987 S *	3/2019	Theobald	.....	D24/133					132/200
					2016/0029768 A1 *	2/2016	Dai	.....	A45D 29/02
									30/27

\* cited by examiner

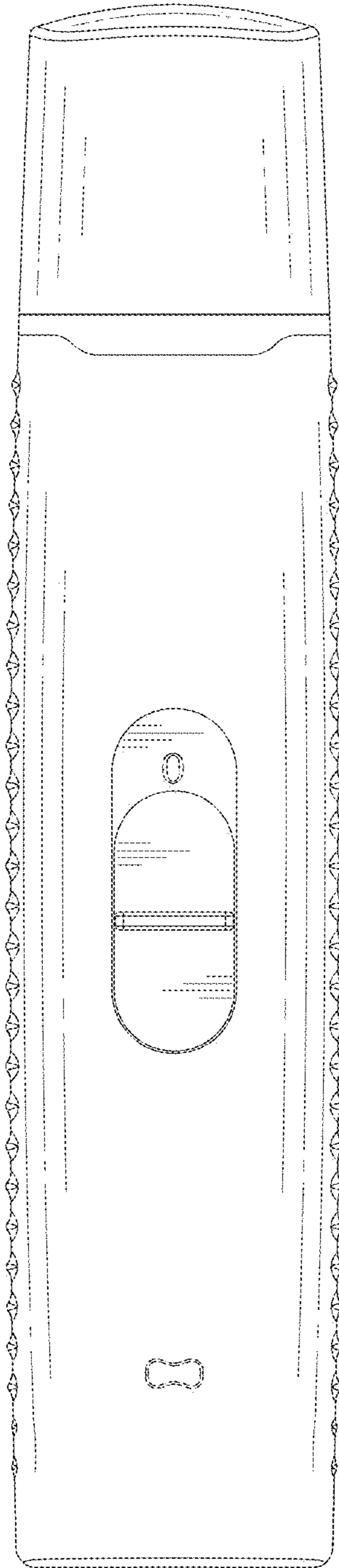


Fig.1

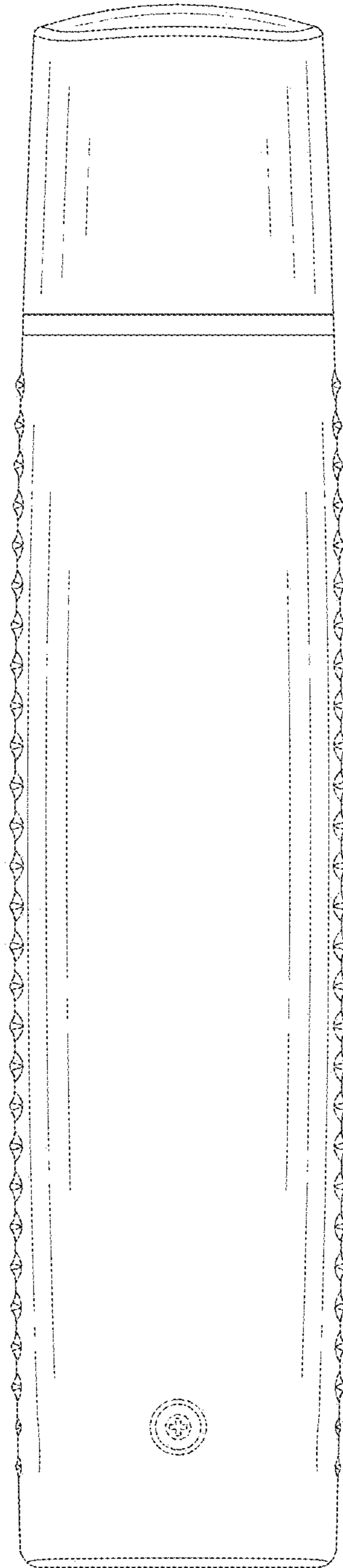


Fig.2

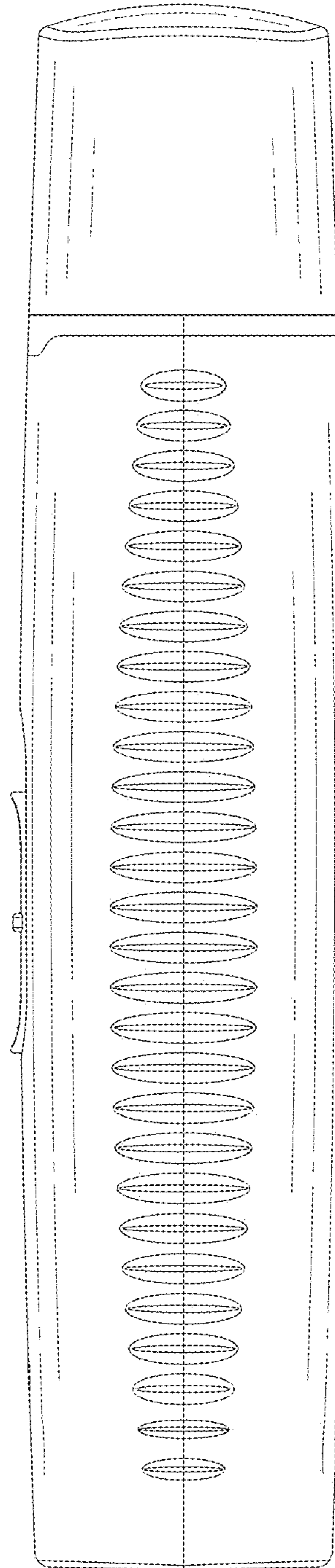


Fig.3

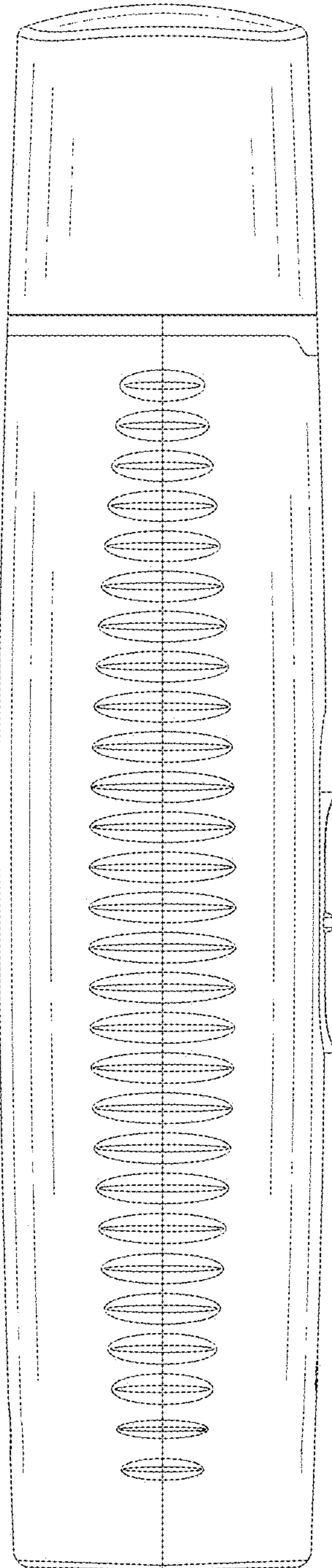


Fig.4

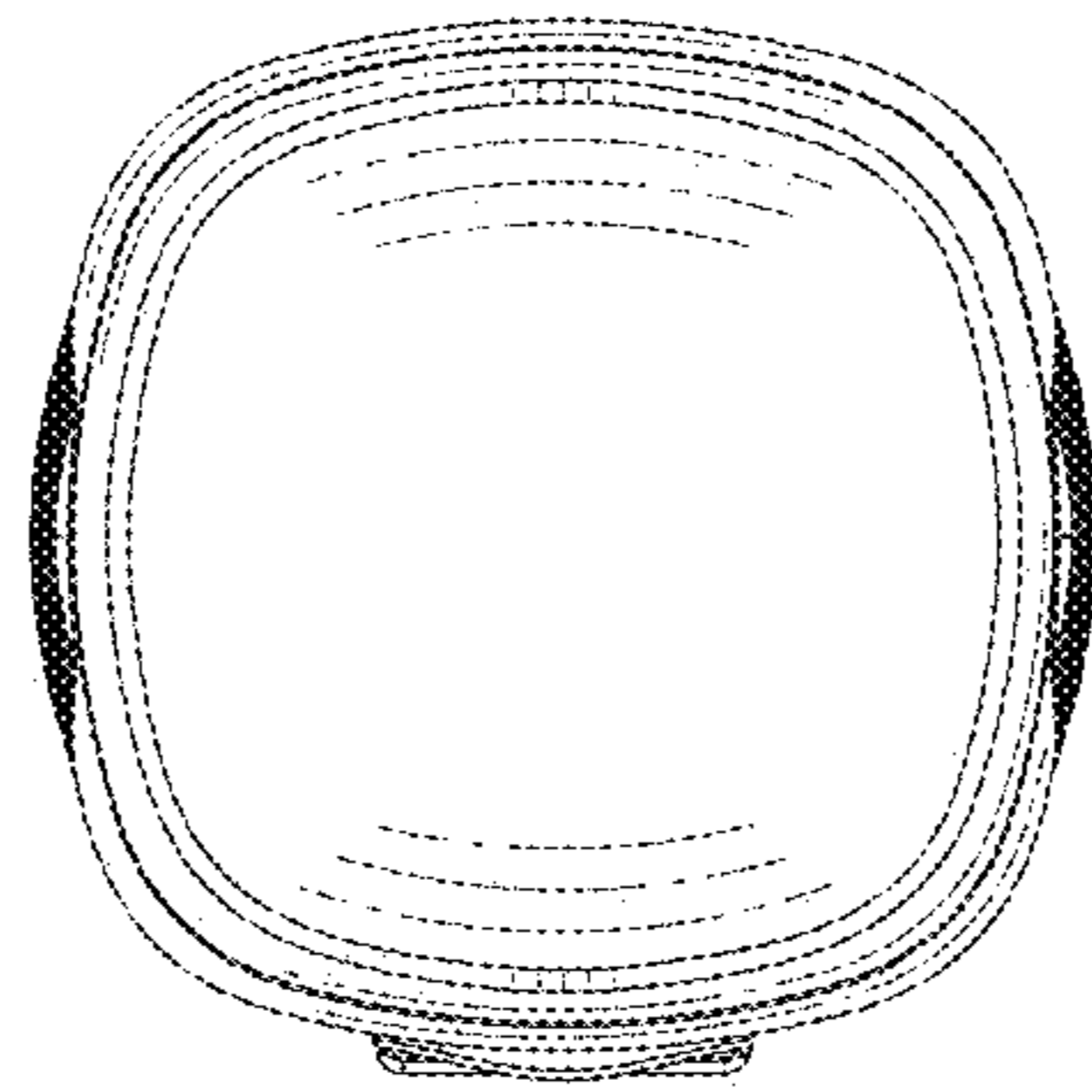


Fig.5

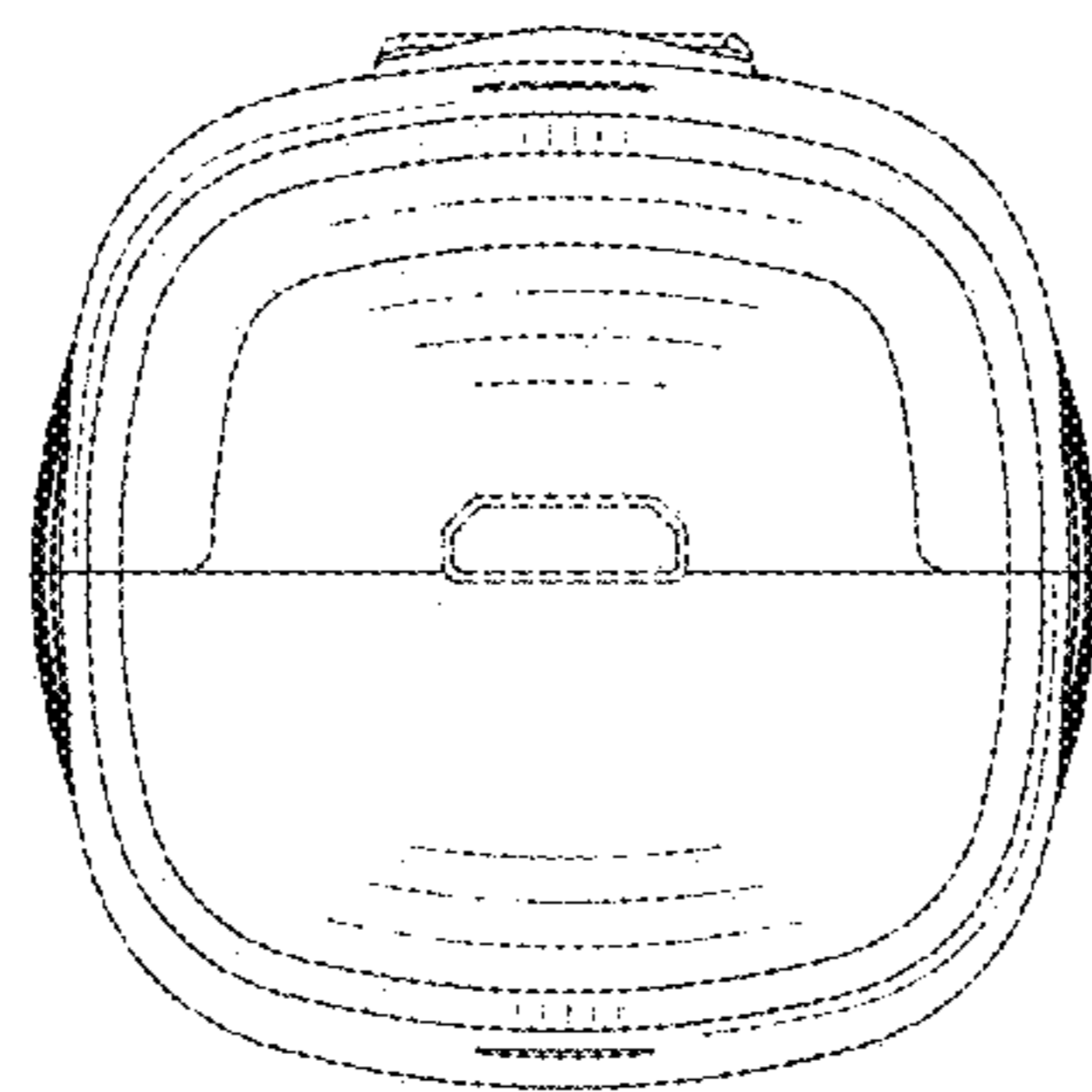


Fig.6

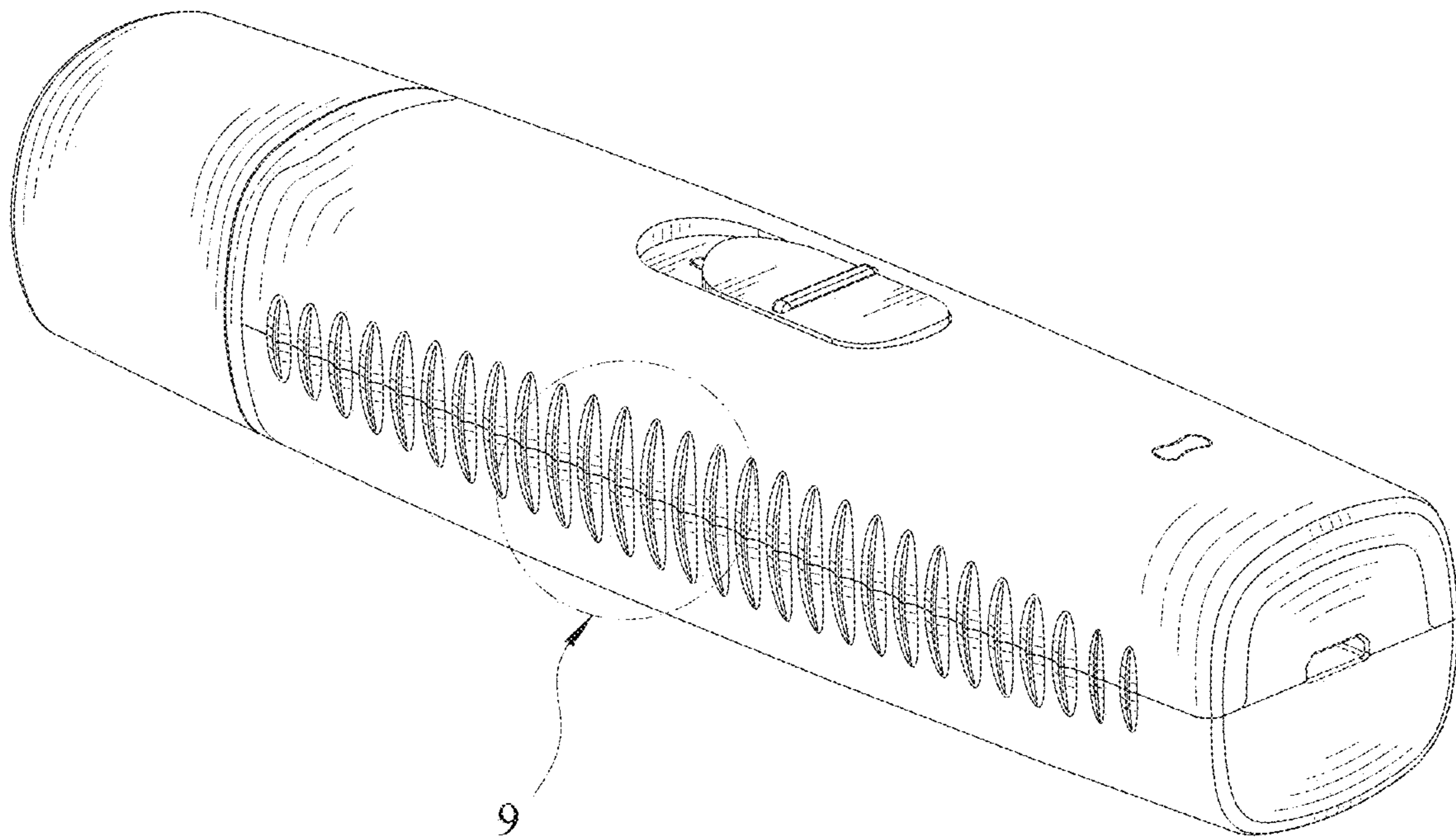


Fig.7



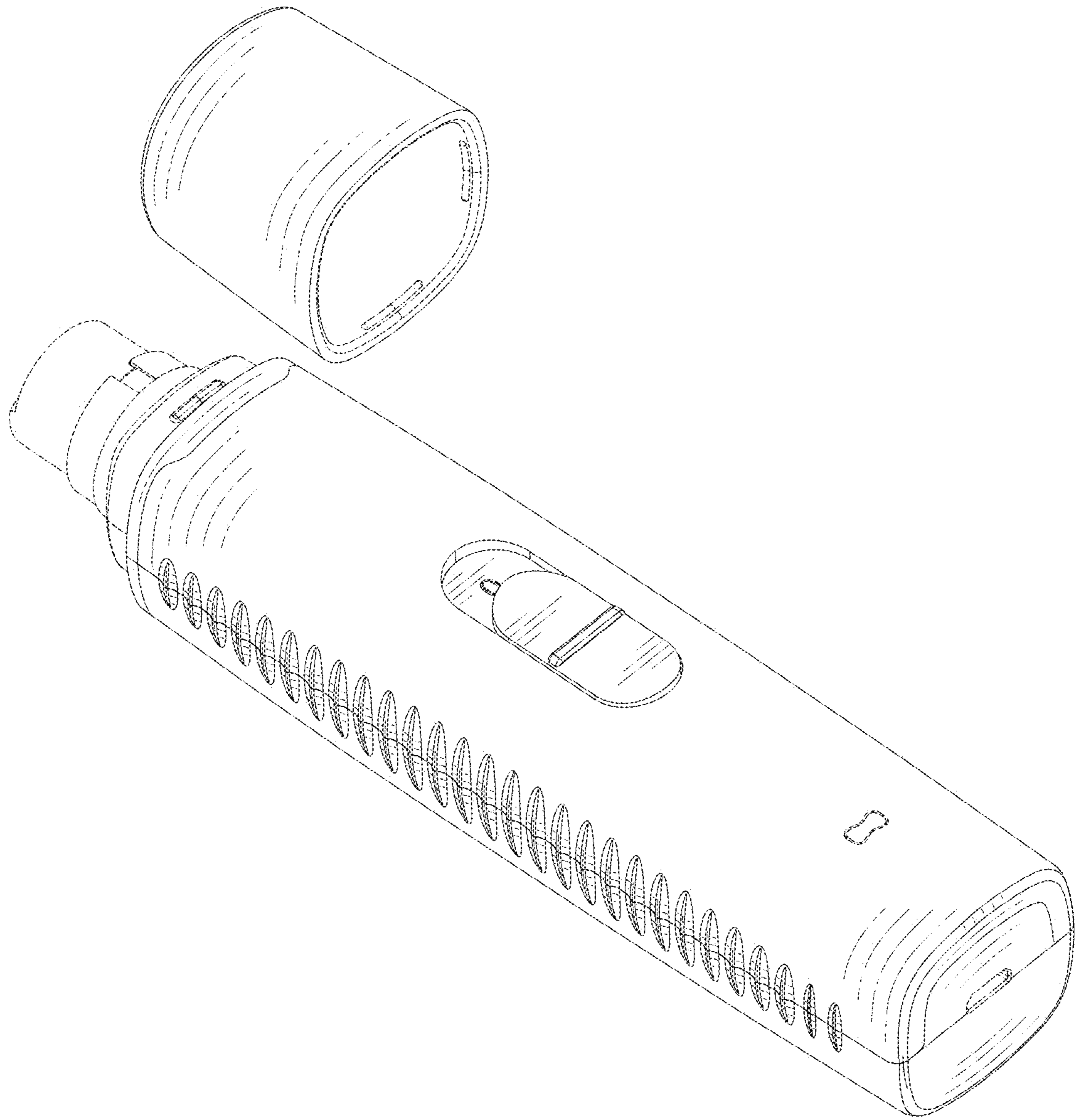


Fig.8

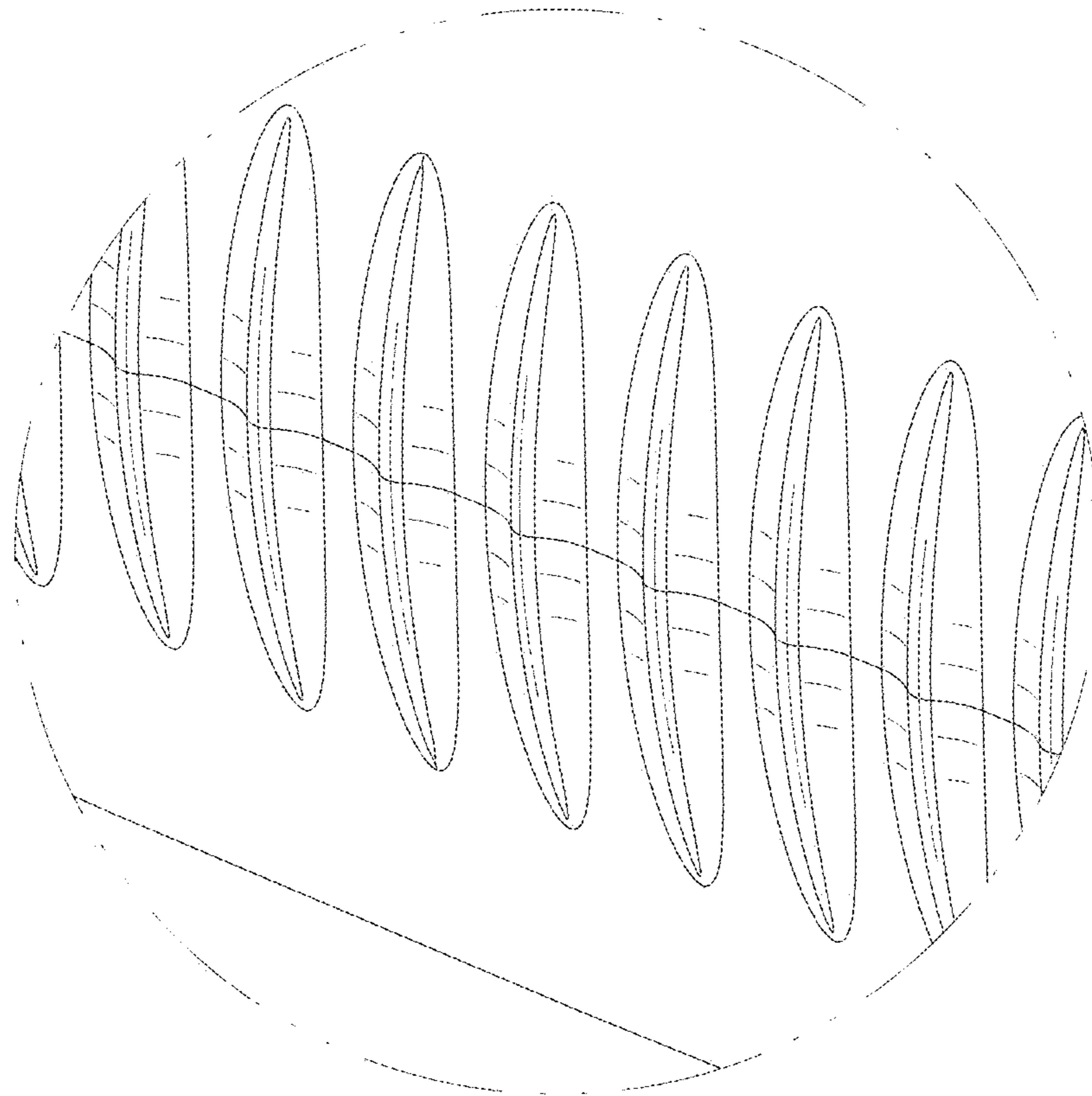


Fig.9