



US00D907308S

(12) **United States Design Patent** (10) **Patent No.:** **US D907,308 S**
Becattini, Jr. et al. (45) **Date of Patent:** **** Jan. 5, 2021**

(54) **BIFURCATED SLOW FEED BOWL**

(56) **References Cited**

(71) Applicant: **Towerstar Pets, LLC**, Malvern, PA (US)

U.S. PATENT DOCUMENTS

(72) Inventors: **Fernando Becattini, Jr.**, Malvern, PA (US); **Jacquelyn N. Becattini**, Malvern, PA (US); **Fernando Becattini, Sr.**, Devon, PA (US); **John D. Fiegenger**, Marblehead, MA (US); **William P. Liteplo**, Middleton, MA (US); **Steve A. Copeland**, Barrie (CA)

75,673 A *	3/1868	Gibson	A47J 37/10
				99/425
472,316 A *	4/1892	Smith	A01K 5/0114
				119/61.1
495,872 A *	4/1893	Ball	A21B 3/13
				249/117
1,900,290 A *	3/1933	Kudo	A21B 3/132
				249/57
2,097,356 A *	10/1937	Truesdale	A21B 3/132
				249/122

(73) Assignee: **Towerstar Pets, LLC**, Malvern, PA (US)

(Continued)

(**) Term: **15 Years**

Primary Examiner — Susan Moon Lee

(74) *Attorney, Agent, or Firm* — Sand, Sebolt & Wernow Co., LPA

(21) Appl. No.: **29/712,870**

(22) Filed: **Nov. 12, 2019**

(57) **CLAIM**

(51) **LOC (13) Cl.** **30-03**

The ornamental design for a bifurcated slow feed bowl, as shown and described.

(52) **U.S. Cl.**

USPC **D30/130**

(58) **Field of Classification Search**

DESCRIPTION

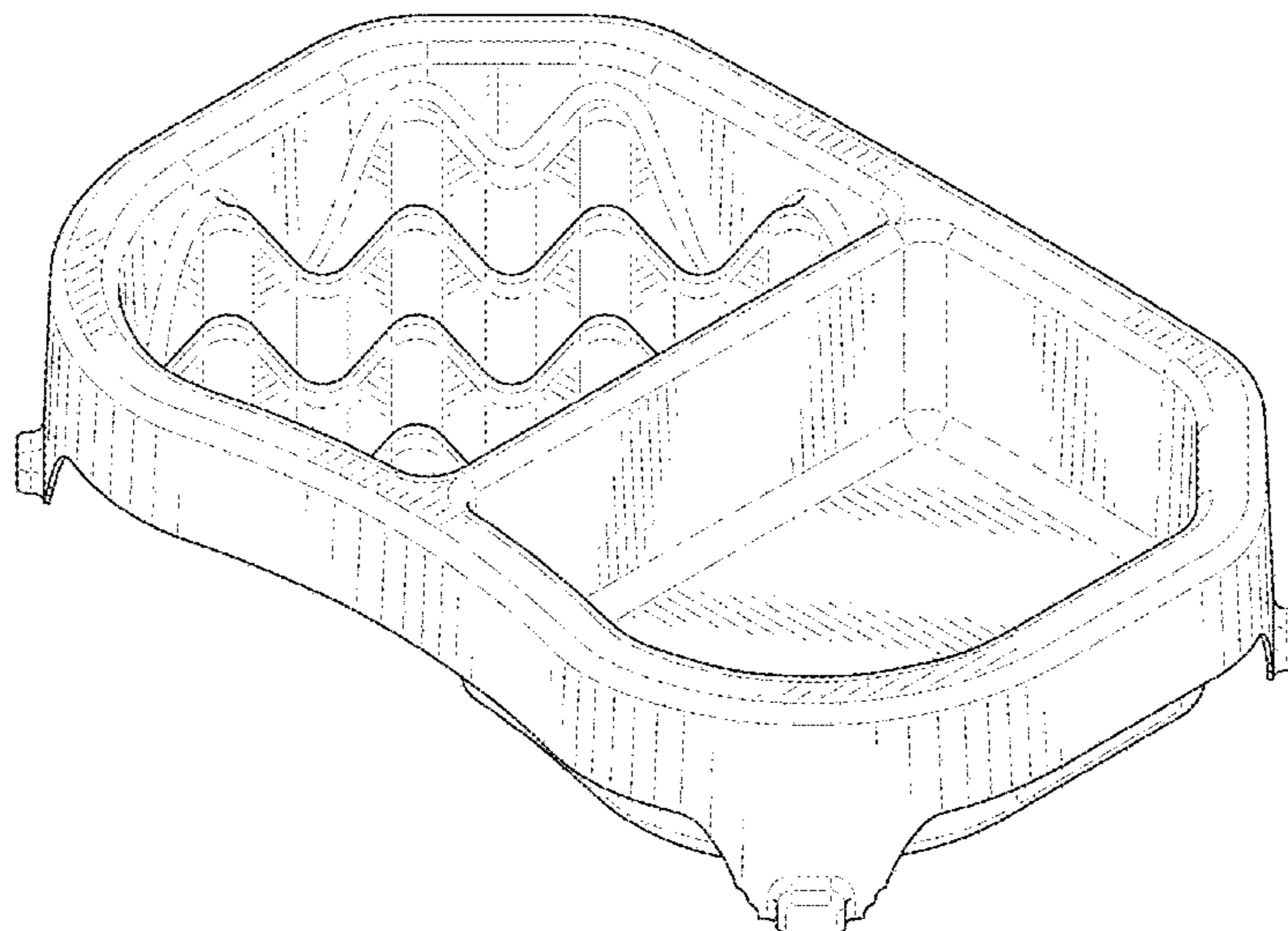
USPC D30/121, 122, 129-133; 119/61.5, 51.01, 119/61.56, 51.03, 59, 62, 63, 51.5, 57.8, 119/74, 61.54, 61.55; 312/204; 248/151, 248/188; 108/156, 153.1-157; 220/23.87, 630, 737, 743, 9.4, 495.01, 220/574, 212, 255, 23.83; 206/515; D7/586, 543, 550.1, 587, 505, 584, 545, D7/500, 553.1-553.8, 546, 555, 556, 504, D7/565, 562, 602; D9/429; 43/109; D22/122; 99/430, DIG. 15

CPC A01K 5/0114; A01K 5/01; A01K 5/0135; A01K 7/005; A01K 7/00; A01K 7/02; A01K 5/0142; A01K 5/0121; A01K 5/0128; A01K 27/004; A01K 39/014; A01K 39/00; A01K 39/02; A01K 39/0113; A47J 43/0727; A01M 29/34; B29C 65/48; B65D 81/36

FIG. 1 is an isometric perspective view of a bifurcated slow feed bowl in accordance with our design; FIG. 2 is a front elevation view thereof; FIG. 3 is a rear elevation view thereof; FIG. 4 is a right side elevation view thereof; FIG. 5 is a left side elevation view thereof; FIG. 6 is a top plan view thereof; FIG. 7 is a bottom plan view thereof; FIG. 8 is a cross section taken along line 8-8 of FIG. 6 thereof; and, FIG. 9 is a cross section taken along line 9-9 of FIG. 6. The broken lines in the FIG. 7 view depict environmental features for illustrative purposes only and form no part of the claimed design.

See application file for complete search history.

1 Claim, 6 Drawing Sheets



(56)

References Cited

U.S. PATENT DOCUMENTS

2014/0196671 A1* 7/2014 Taylor A01K 15/025
119/707
2015/0068461 A1* 3/2015 Lindskov A01K 5/00
119/51.01
2016/0255813 A1* 9/2016 Wolfe, Jr. A01K 5/0114
2017/0112093 A1* 4/2017 Glinsky A01K 5/0291
2017/0348082 A1* 12/2017 Ogleby A01K 15/026
2018/0133991 A1* 5/2018 Tsengas A01K 7/00
2018/0368357 A1* 12/2018 Yang A01K 15/025

* cited by examiner

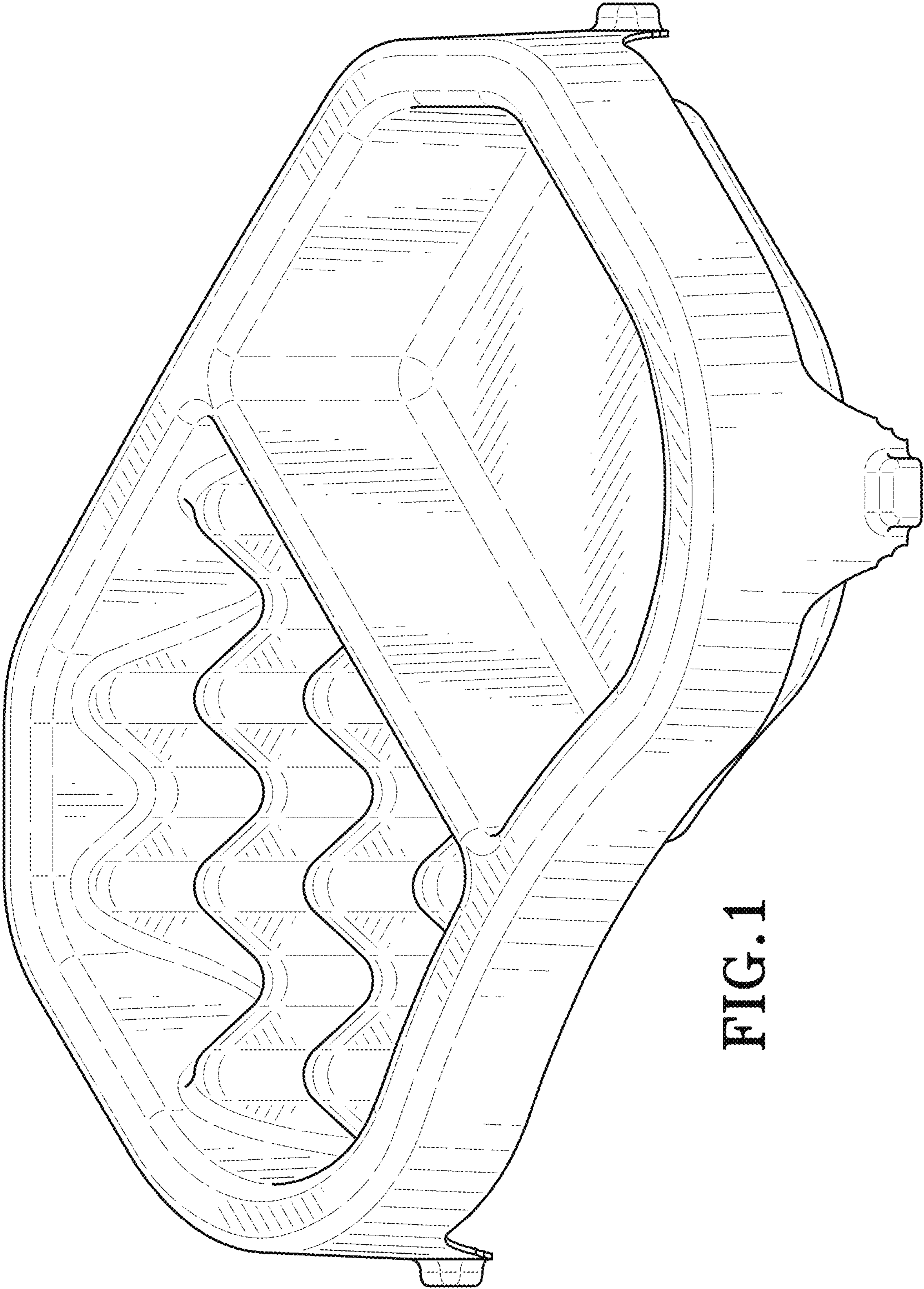


FIG. 1

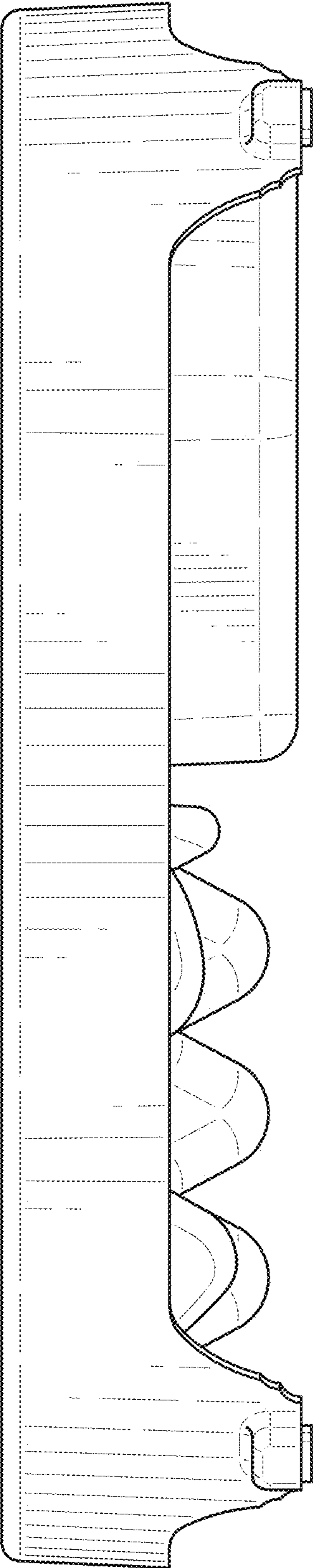


FIG. 2

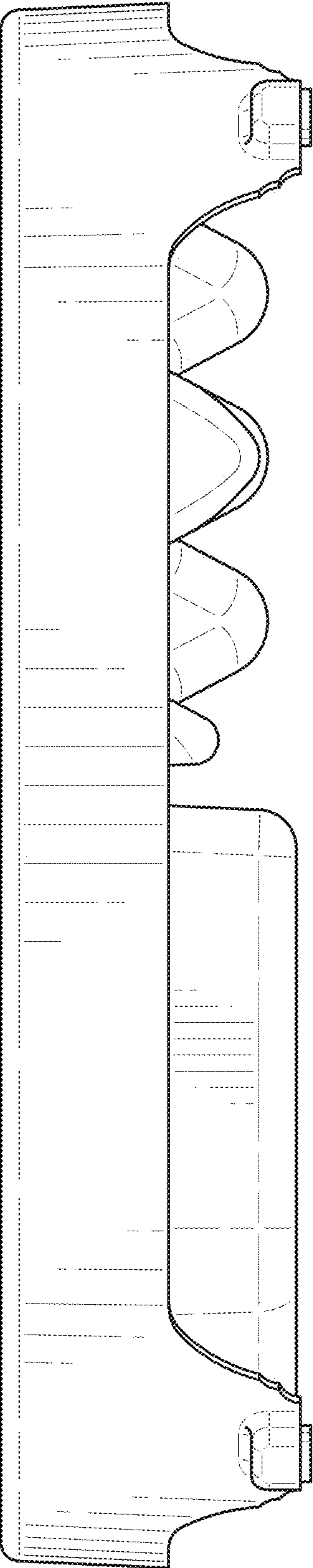


FIG. 3

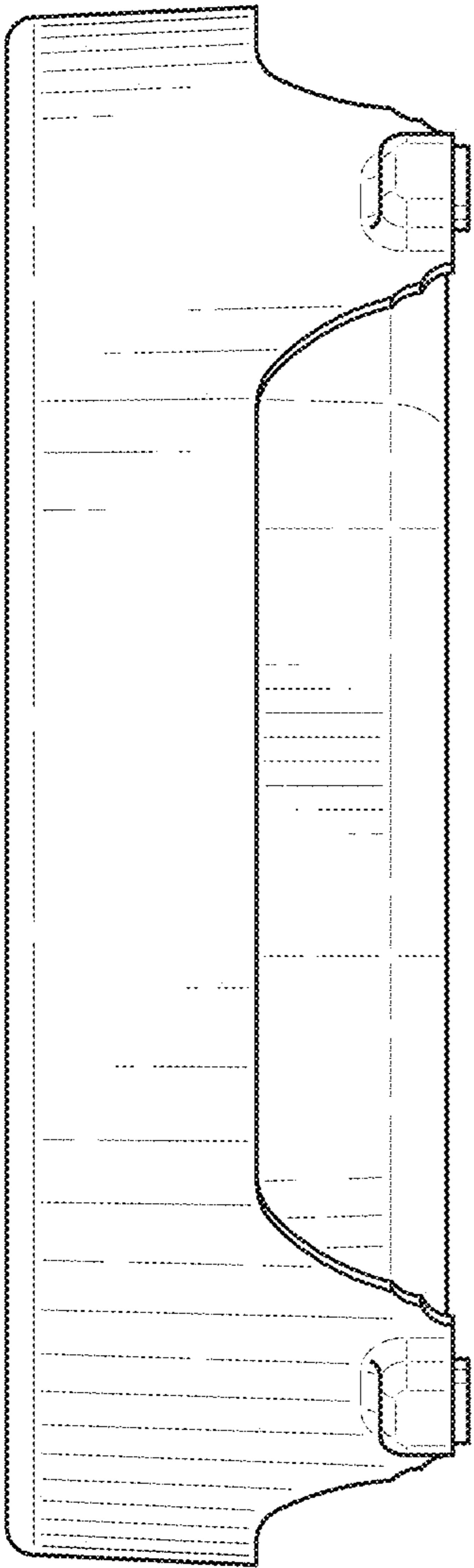


FIG. 4

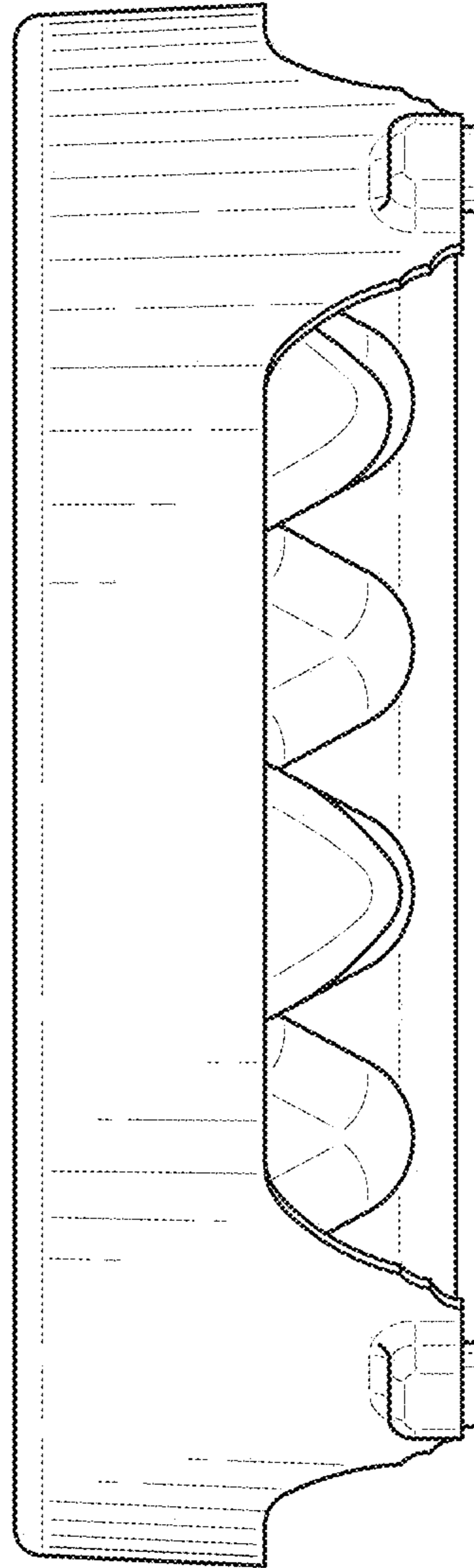


FIG. 5

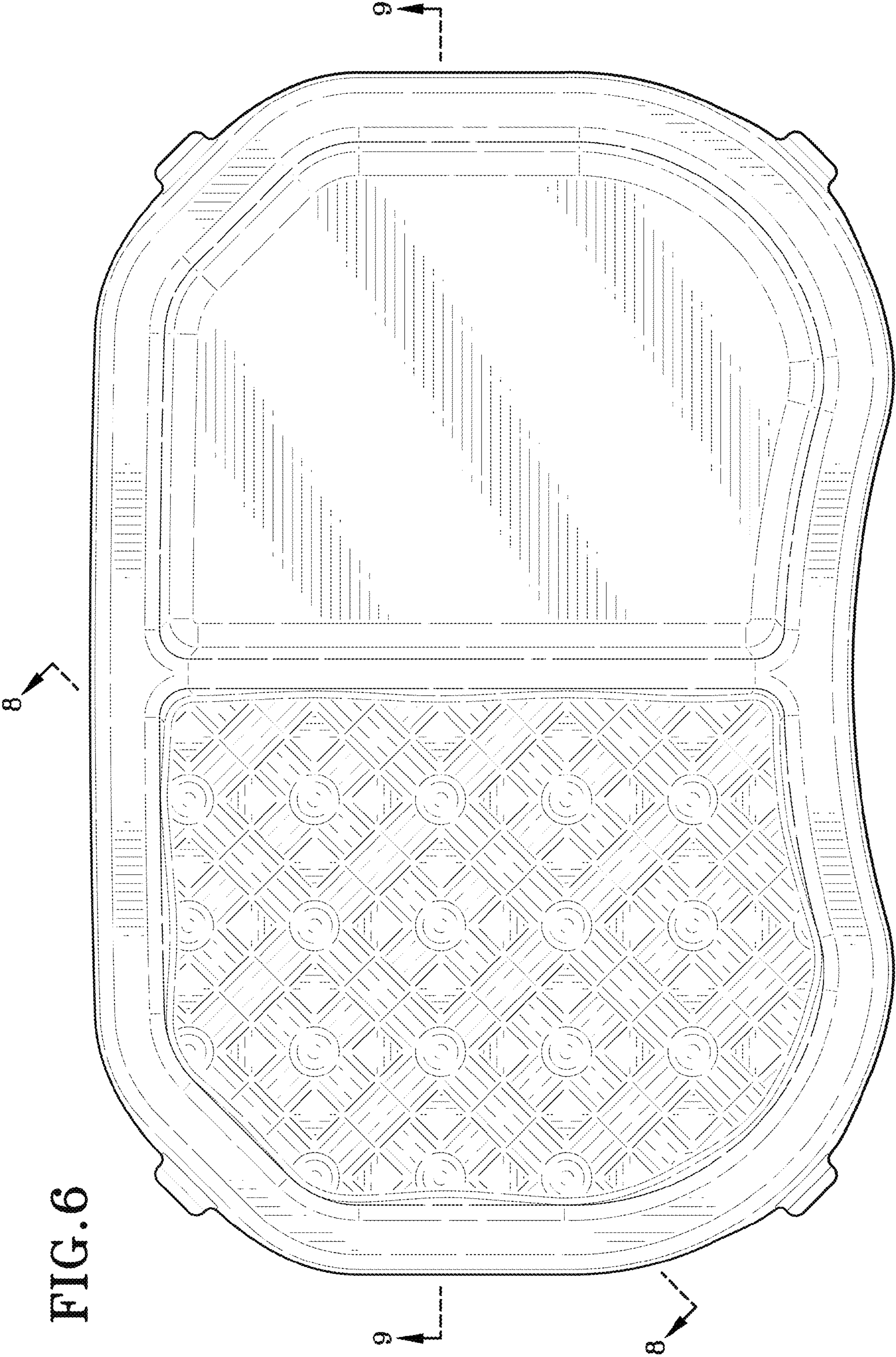


FIG. 6

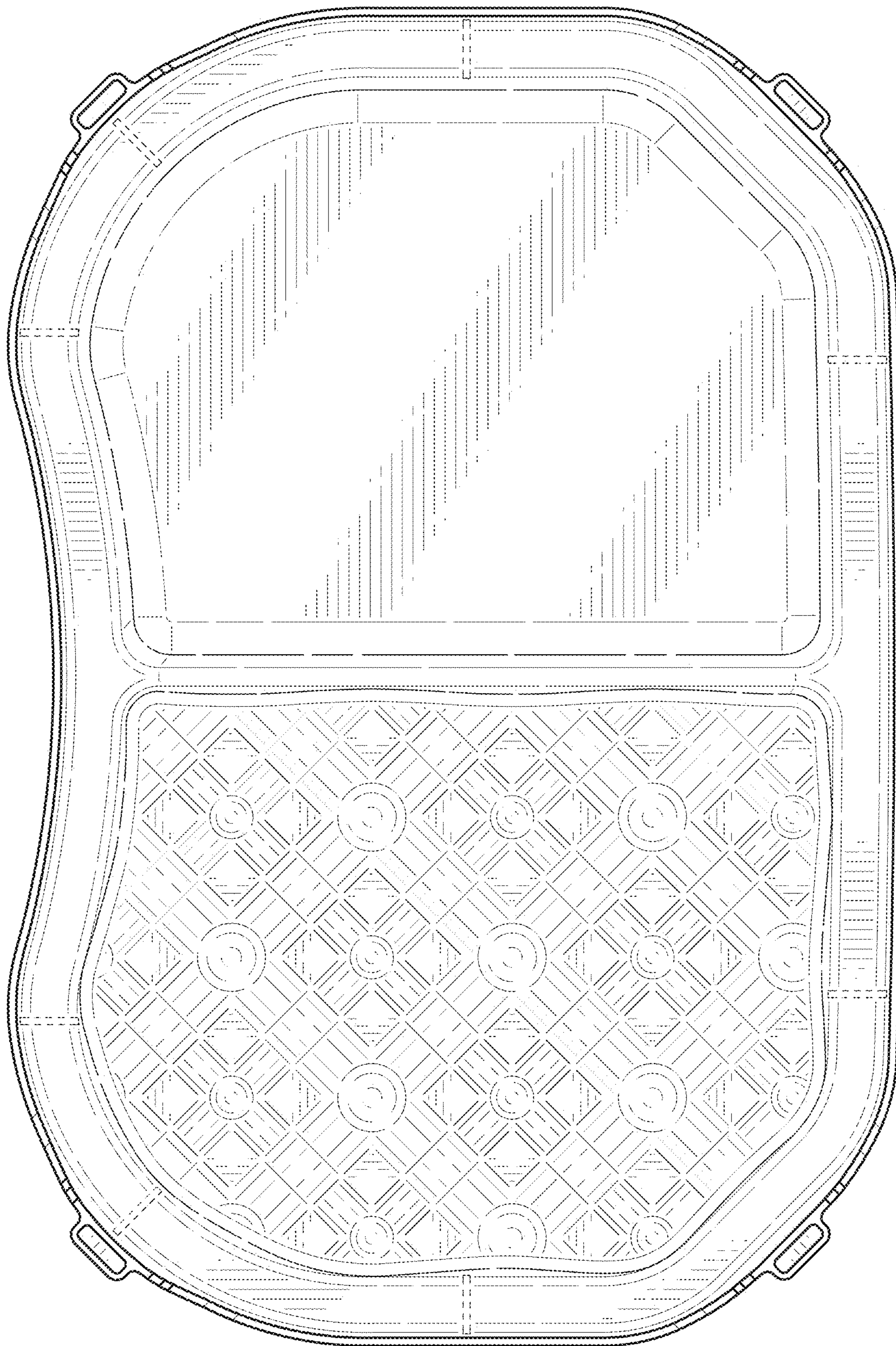


FIG. 7

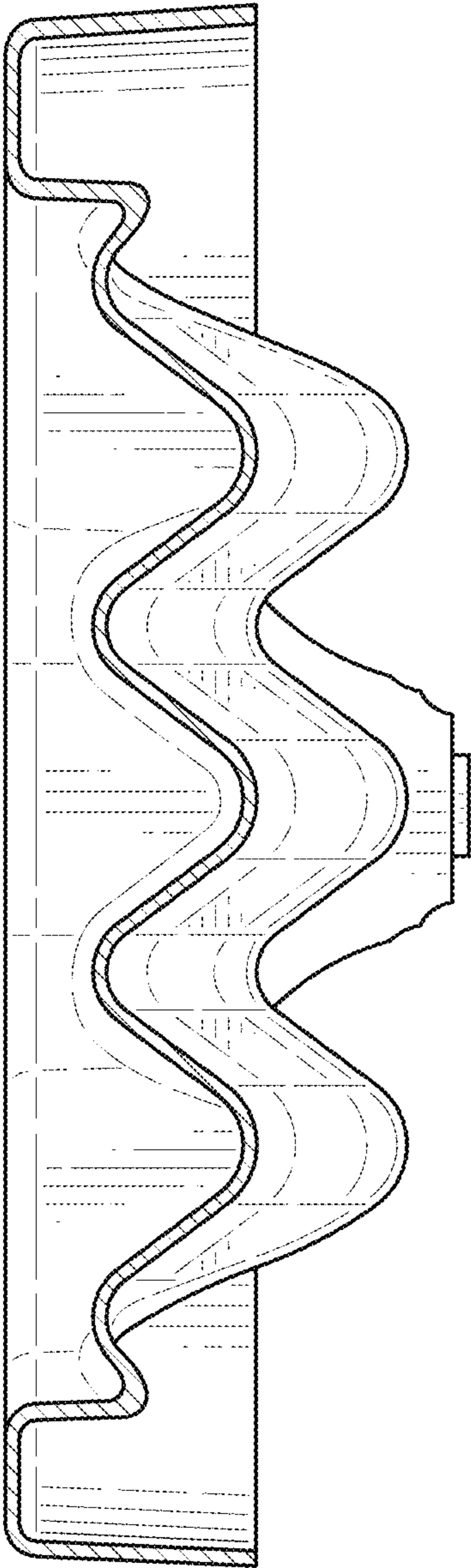


FIG. 8

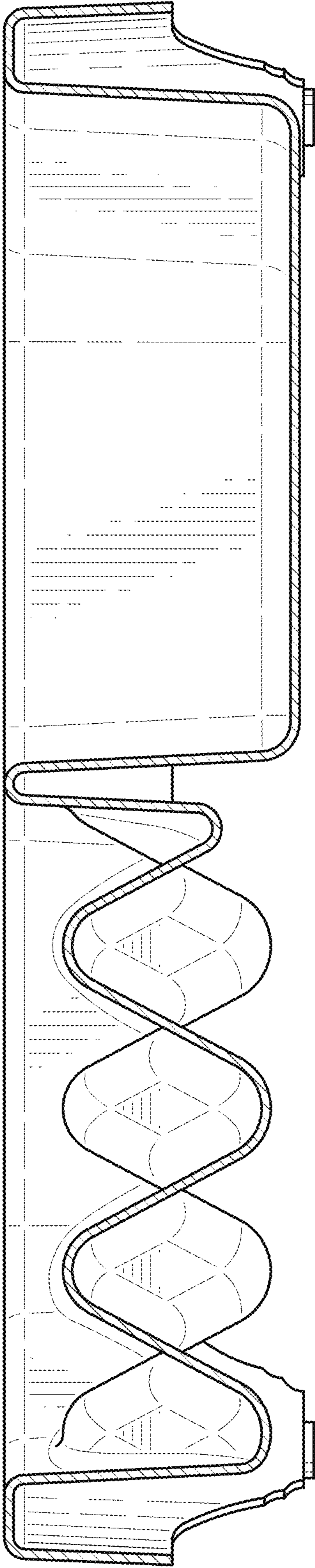


FIG. 9