



US00D907307S

(12) **United States Design Patent**
Lan et al.

(10) **Patent No.:** **US D907,307 S**
(45) **Date of Patent:** **** Jan. 5, 2021**

(54) **PET FEEDING BOWL**

(71) Applicant: **Shenzhen Xcho Technology Limited**,
Shenzhen (CN)

(72) Inventors: **Zhangli Lan**, Shenzhen (CN); **Yukun Yang**,
Shenzhen (CN); **Jian Li**, Shenzhen (CN)

(**) Term: **15 Years**

(21) Appl. No.: **29/666,544**

(22) Filed: **Oct. 14, 2018**

(30) **Foreign Application Priority Data**

Sep. 21, 2018 (CN) 2018 3 0534970

(51) **LOC (13) Cl.** **30-03**

(52) **U.S. Cl.**
USPC **D30/130**

(58) **Field of Classification Search**
USPC D30/121, 122, 129-133, 199
CPC A01K 5/00
See application file for complete search history.

(56) **References Cited**

U.S. PATENT DOCUMENTS

D259,669 S * 6/1981 Peterson D30/130
D659,297 S * 5/2012 Stygstra D30/130

D722,407 S * 2/2015 Roslonski D30/130
10,349,623 B1 * 7/2019 Stygstra A01K 5/00
D869,781 S * 12/2019 Han D30/130
D873,502 S * 1/2020 MacNeil D30/130
D873,503 S * 1/2020 MacNeil D30/133
2018/0199542 A1 * 7/2018 Foster A01K 5/0135
2018/0368594 A1 * 12/2018 Hakim A47G 23/0303
2019/0159426 A1 * 5/2019 Pyter A01K 5/0135

* cited by examiner

Primary Examiner — Michael C Stout

Assistant Examiner — Katrina N Gonzalez

(74) *Attorney, Agent, or Firm* — Prakash Nama; Global IP Services, PLLC

(57) **CLAIM**

The ornamental design for a pet feeding bowl, as shown and described.

DESCRIPTION

FIG. 1 is a top plan view of a pet feeding bowl, showing our new design.

FIG. 2 is a bottom plan view thereof;

FIG. 3 is a left side view thereof;

FIG. 4 is a right side view thereof;

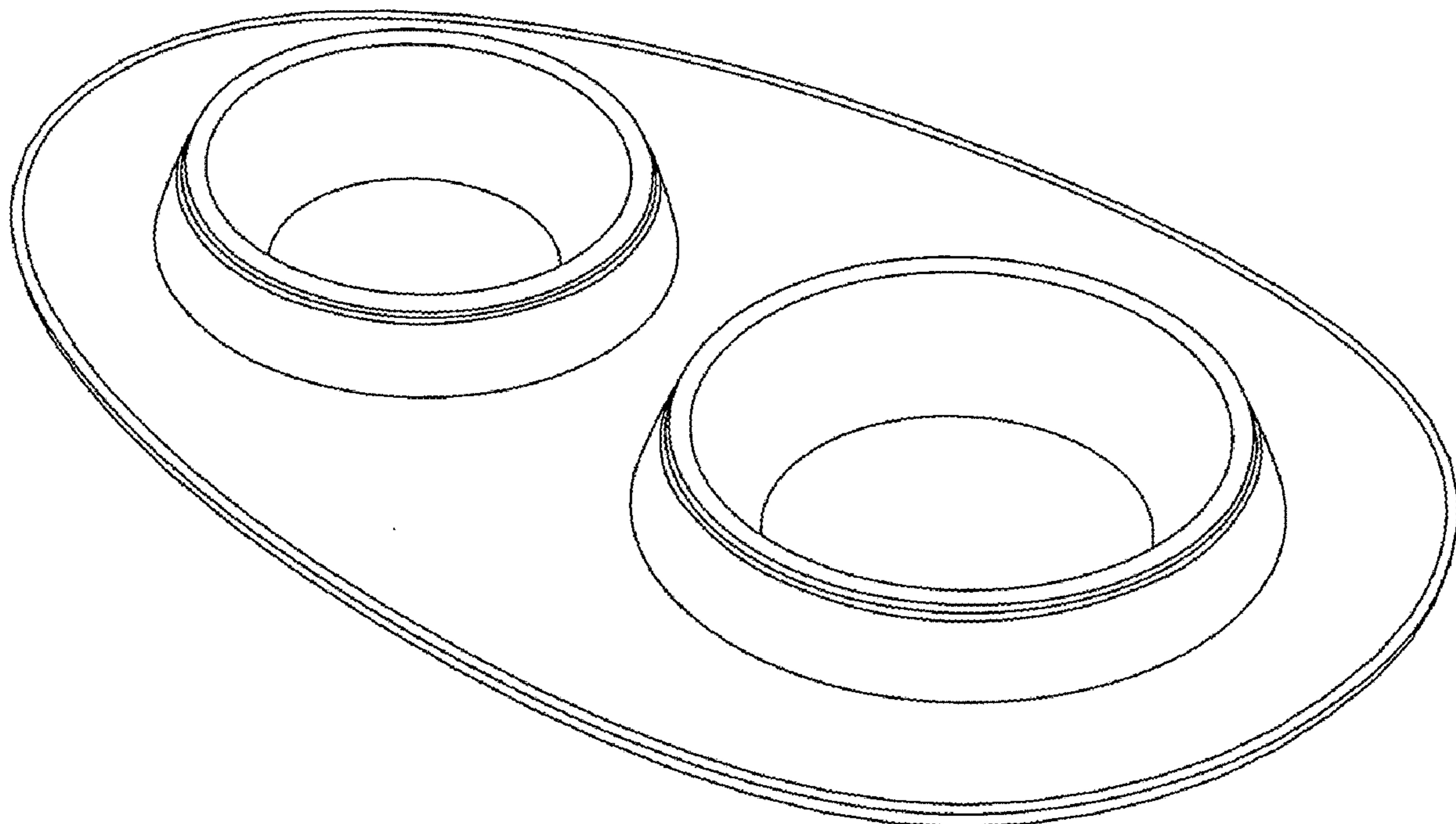
FIG. 5 is a front view thereof;

FIG. 6 is a rear view thereof;

FIG. 7 is a top perspective view thereof; and,

FIG. 8 is a bottom perspective view thereof.

1 Claim, 7 Drawing Sheets



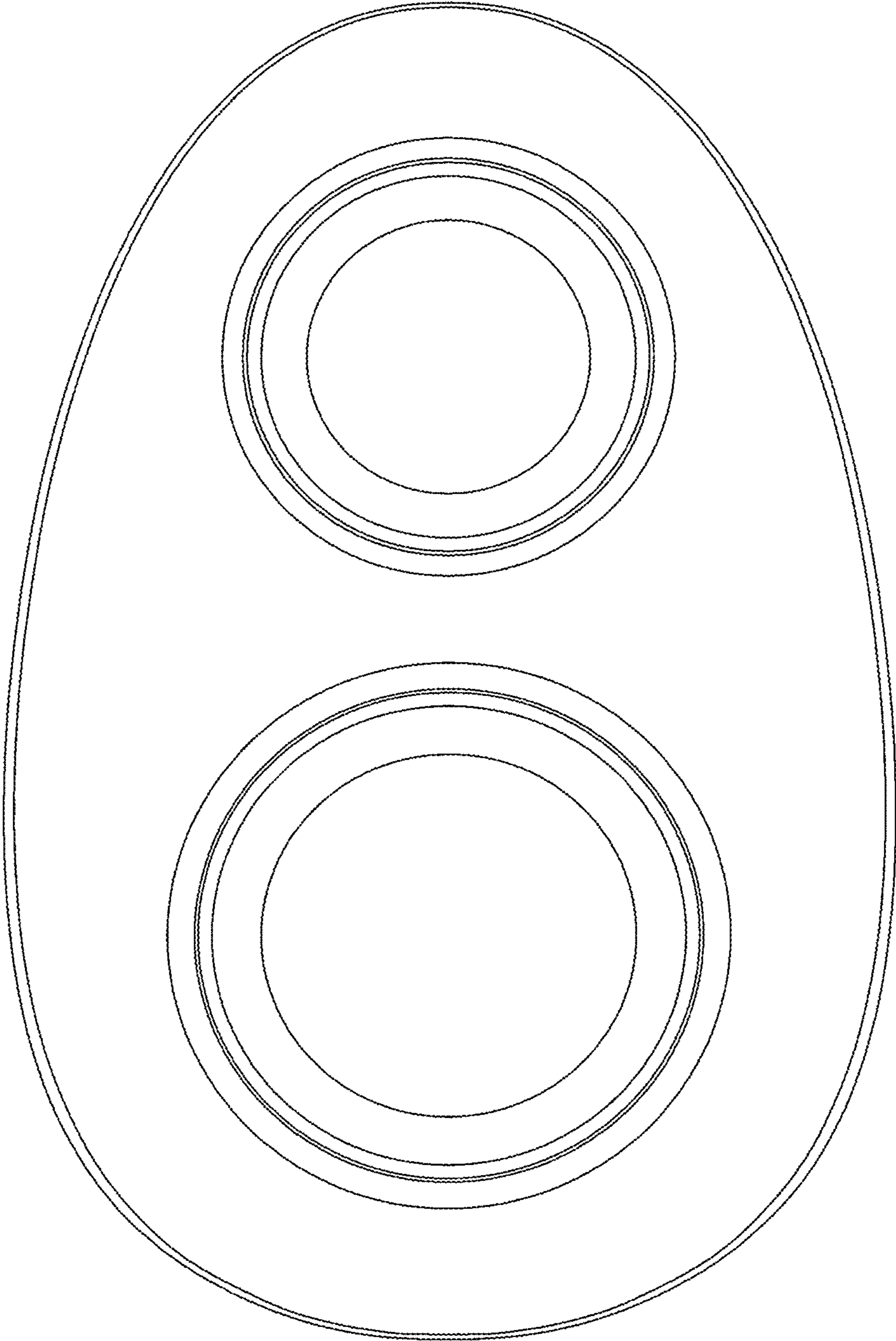


FIG.1

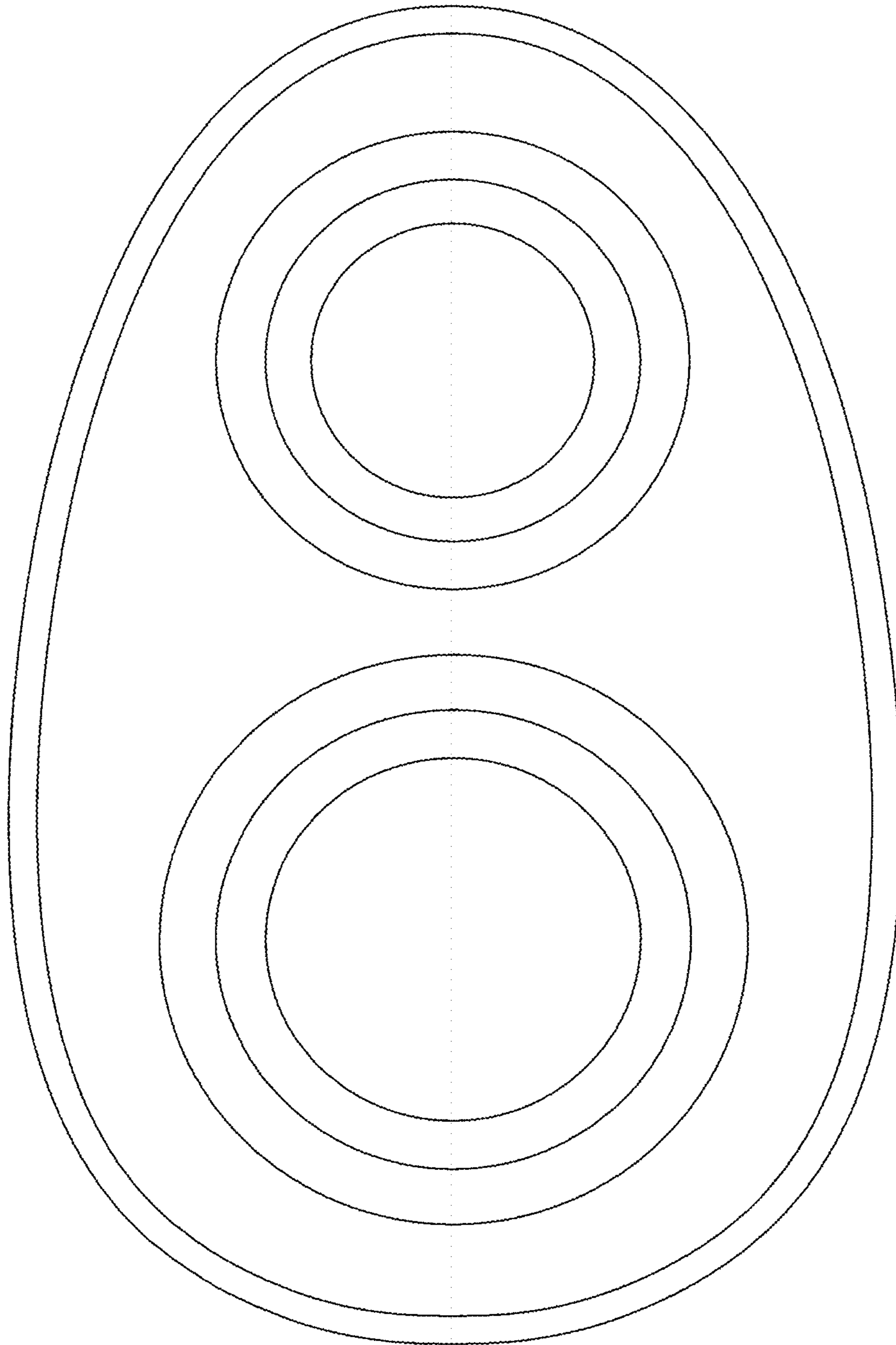


FIG. 2

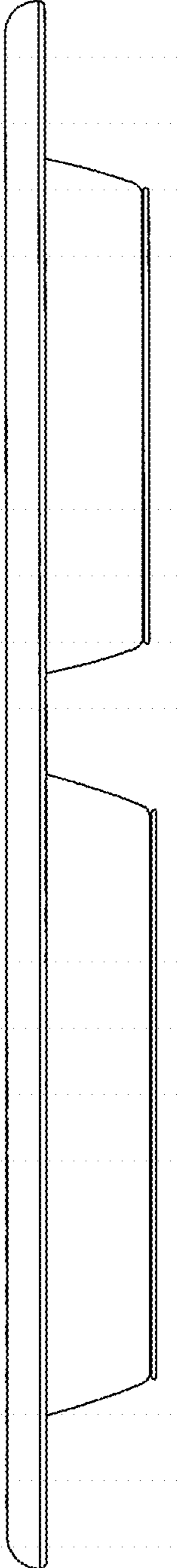


FIG.3

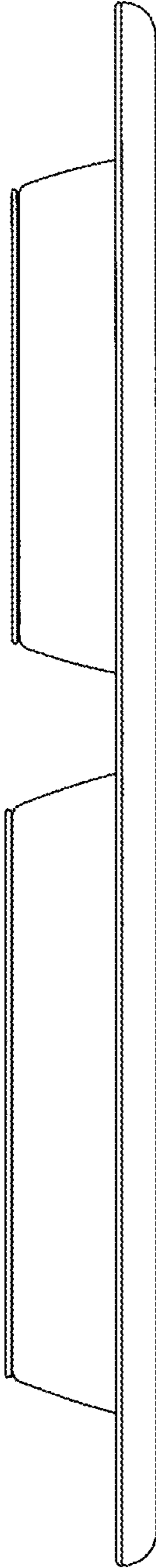


FIG.4

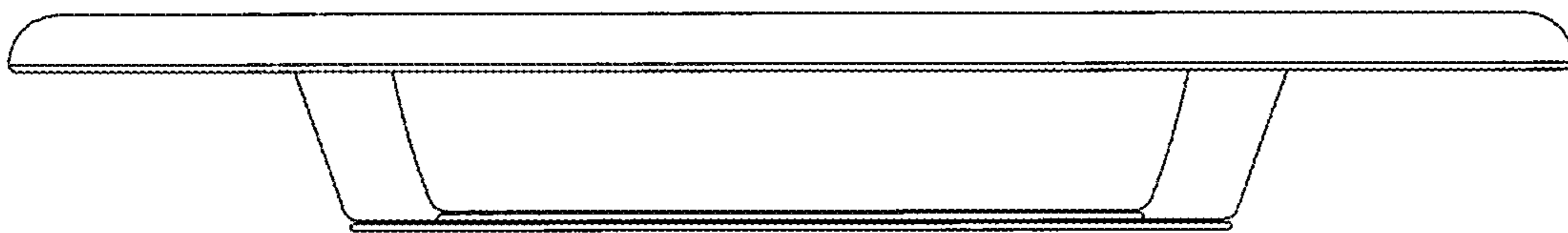


FIG. 5

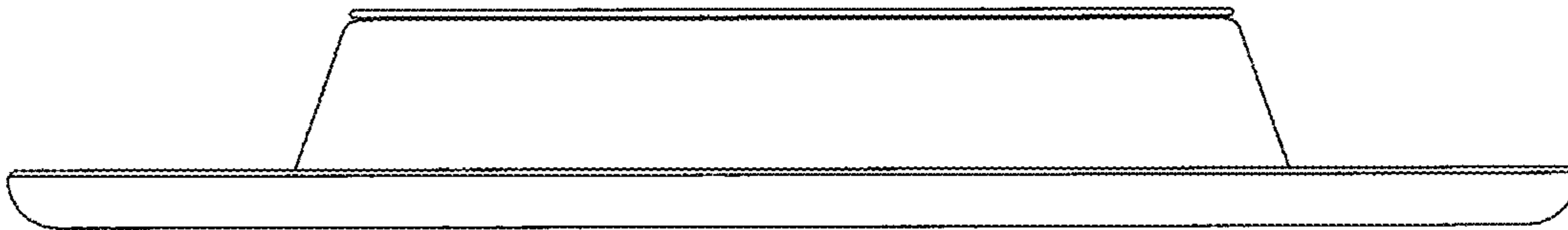


FIG. 6

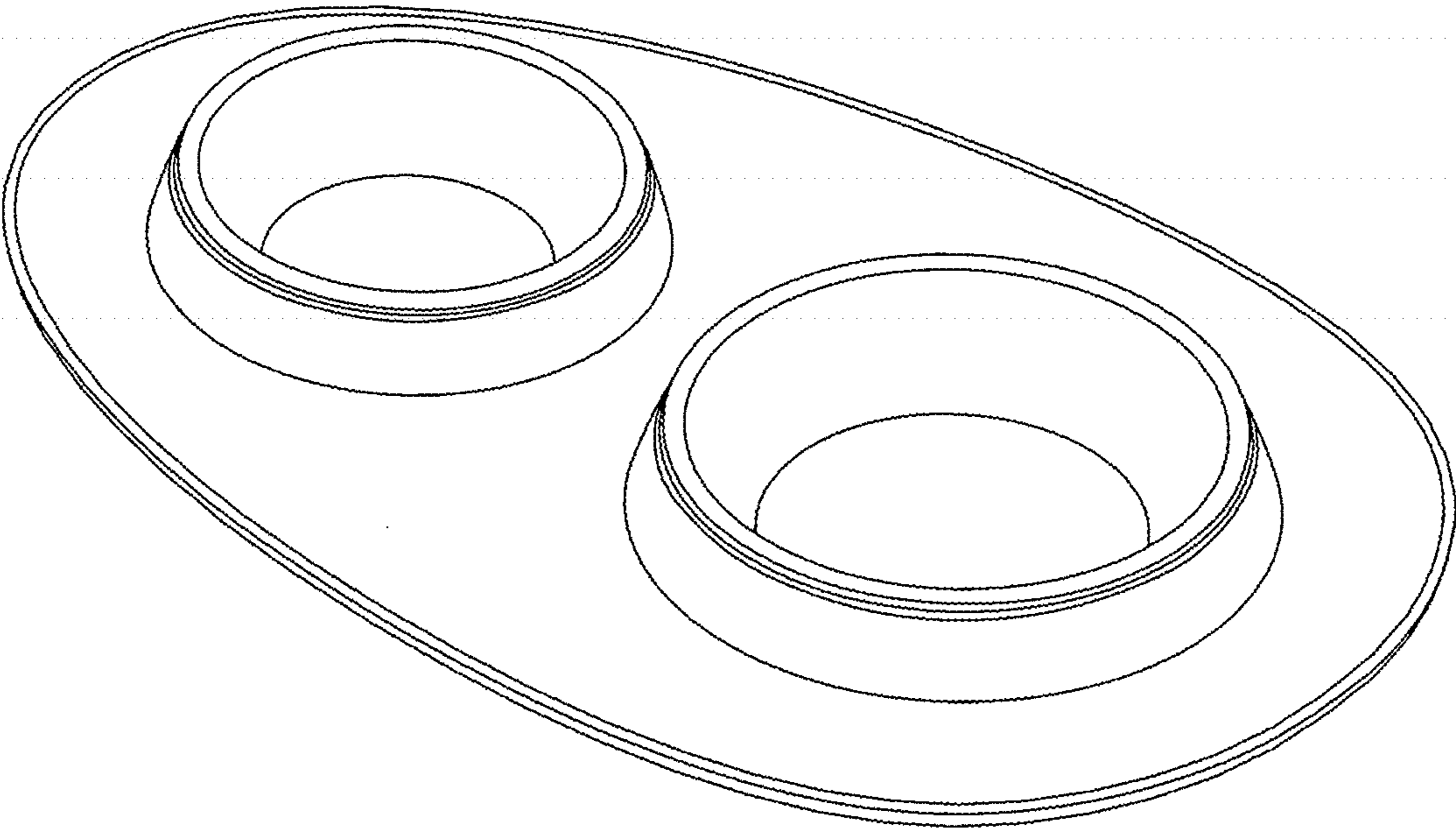


FIG. 7

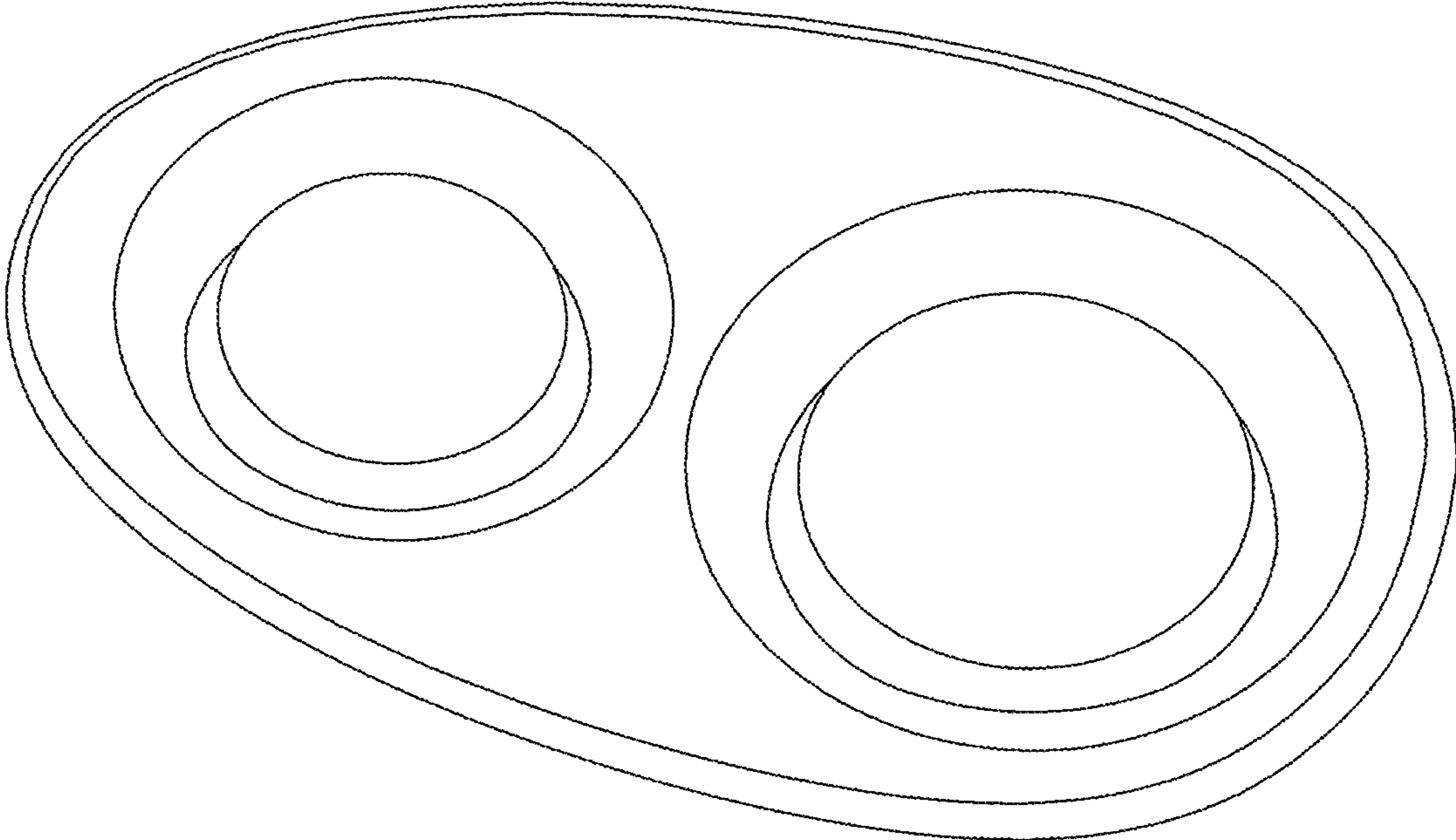


FIG.8