



US00D907306S

(12) **United States Design Patent** (10) **Patent No.:** **US D907,306 S**
Tang (45) **Date of Patent:** **** Jan. 5, 2021**

(54) **AUTOMATIC FEEDING DEVICE FOR ANIMALS**

(71) Applicant: **Wei Tang**, Guangdong (CN)

(72) Inventor: **Wei Tang**, Guangdong (CN)

(**) Term: **15 Years**

(21) Appl. No.: **29/720,787**

(22) Filed: **Jan. 15, 2020**

(30) **Foreign Application Priority Data**

Jul. 25, 2019 (CN) 2019 3 0400149

(51) **LOC (13) Cl.** **30-07**

(52) **U.S. Cl.**
USPC **D30/122**

(58) **Field of Classification Search**

USPC D30/121, 122, 129-133, 120; 119/61.5, 119/51.01, 61.56, 51.03, 59, 62, 63, 51.5, 119/57.8, 74, 61.54, 61.55, 53, 53.5, 75, 119/56.2, 51.02, 51.11, 51.12, 57.1, 52.1, 119/515; 312/204; 248/151, 188; 108/156, 153.1-157; 220/23.87, 630, 220/737, 743, 9.4, 495.01, 574, 212, 255, 220/23.83; 206/515; D7/586, 543, D7/550.1, 587, 505, 584, 545, 500, D7/553.1-553.8, 546, 555, 556, 504, 565, D7/562, 602, 605, 312, 313, 320, 307, D7/306, 309, 354, 311, 399, 397, 323, D7/332, 331, 347, 346, 322, 318, 317, D7/316, 619.1; D9/429; 43/109; D22/122; 99/430, DIG. 15, 280, 285, 99/312; 222/209, 131, 363, 349, 517, 222/153.13, 401, 1, 146.5, 23, 54, 64, 51, 222/156, 399, 400.8; 219/438, 439, 441, 219/385, 386, 402, 407; 210/94, 184, 210/474, 477; D21/578; D15/199

CPC A01K 5/02; A01K 5/0225; A01K 5/0114; A01K 5/025; A01K 5/0266; A01K 5/0275; A01K 5/0283; A01K 5/0291; A01K 5/0258; A01K 5/0142; A01K

5/0233; A01K 29/00; A01K 7/00; G01F 11/24; G01F 23/02; B67D 1/0425; B67D 1/04; B67D 1/00; B67D 1/02; B67D 1/0871; B67D 1/0802; A47J 41/0033; A47J 41/005; A47J 41/0088; A47J 41/0094; A47J 31/04; A47J 31/053; (Continued)

(56) **References Cited**

U.S. PATENT DOCUMENTS

4,717,364 A * 1/1988 Furukawa A63H 11/00 367/198
D348,336 S * 6/1994 Woo D30/122
(Continued)

OTHER PUBLICATIONS

Ajounis Robot Feeder https://ajlounis.com/product/automatic-robot-pet-feeder-with-voice-record?gclid=EALalQobChMlrskhuz07AIVtey1Ch1_Qg0YEAQYBSABEGlk9_D_BwE (Year: 2020).*

Primary Examiner — Susan Moon Lee

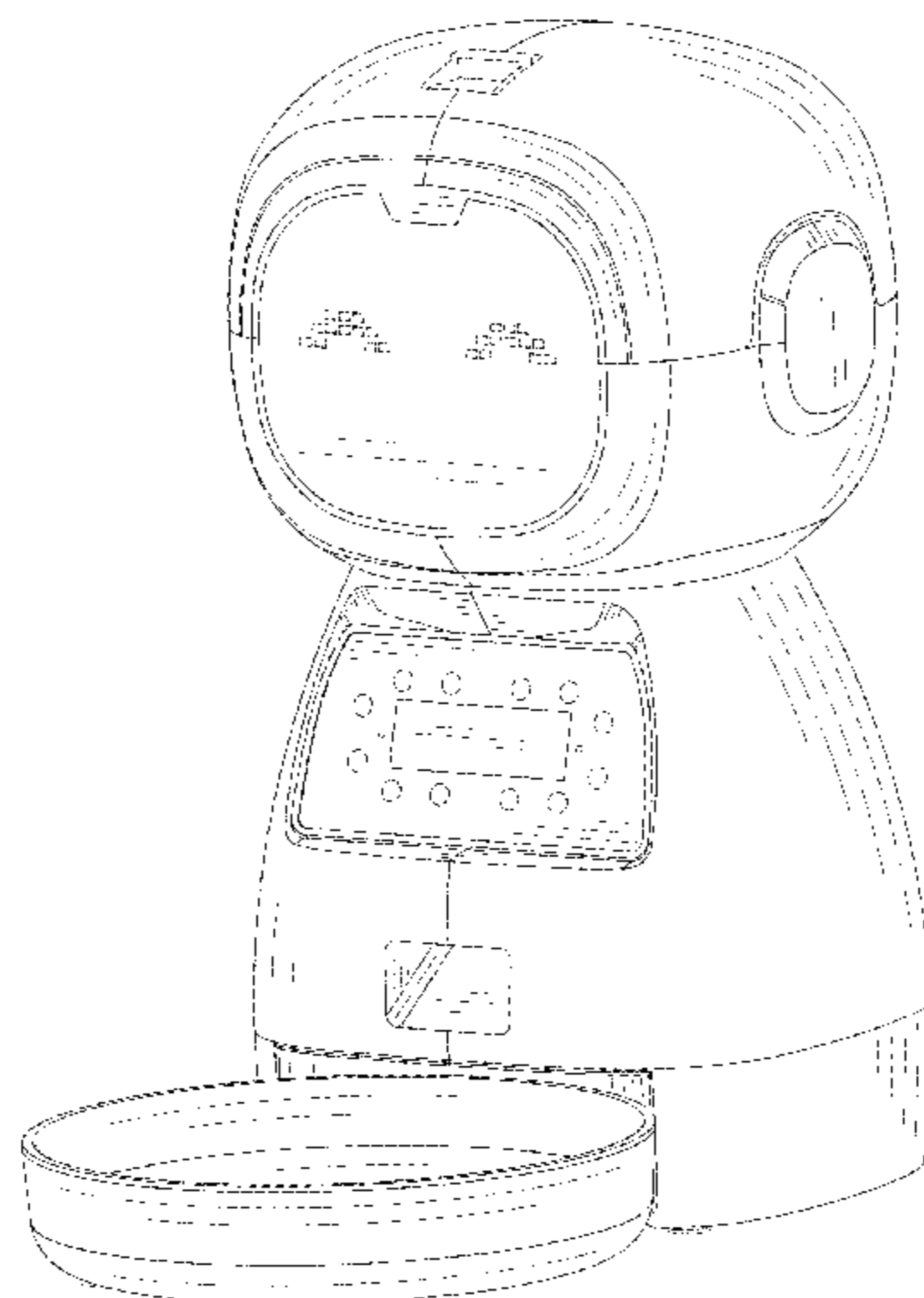
(57) **CLAIM**

The ornamental design for an automatic feeding device for animals, as shown and described.

DESCRIPTION

FIG. 1 is a front elevational view of an automatic feeding device for animals showing my new design; FIG. 2 is a rear elevational view thereof; FIG. 3 is a left side view thereof; FIG. 4 is a right side view thereof; FIG. 5 is a top plan view thereof; FIG. 6 is a bottom plan view thereof; and, FIG. 7 is a top, front and right side perspective view thereof. The broken lines in the drawings illustrate portions of the automatic feeding device for animals which form no part of the claimed design.

1 Claim, 7 Drawing Sheets



(58) **Field of Classification Search**

CPC . B05B 11/00; B05B 11/0002; B05B 11/0005;
B05B 11/001; C02F 1/003; C02F 1/283;
C02F 2307/02

See application file for complete search history.

(56) **References Cited**

U.S. PATENT DOCUMENTS

D450,788 S * 11/2001 Kawasaki D21/578
D464,382 S * 10/2002 Hornsby D21/578
D490,486 S * 5/2004 Hornsby D21/578
D504,545 S * 4/2005 Morosin A01K 5/0114
D30/122
7,111,581 B2 * 9/2006 Kubala A01K 5/0114
119/53.5
D572,239 S * 7/2008 Hoehn D14/218
7,426,901 B2 * 9/2008 Turner A01K 5/0114
119/51.02
D635,603 S * 4/2011 Paz Rodriguez D15/199
D663,333 S * 7/2012 Kitano D15/199
D663,334 S * 7/2012 Kitano D15/199
D677,744 S * 3/2013 Yu D21/578
D685,438 S * 7/2013 Fan D21/578
D687,907 S * 8/2013 Hoang D21/578
D688,329 S * 8/2013 Vinh Hoang D21/578
8,515,092 B2 * 8/2013 Rucker A63H 3/28
381/87
8,701,595 B2 * 4/2014 Jin A01K 5/0291
119/51.11

D710,953 S * 8/2014 Katsutani D21/578
D731,124 S * 6/2015 Shin D30/122
D739,614 S * 9/2015 Ausman D30/122
D764,604 S * 8/2016 Company D21/578
D795,363 S * 8/2017 Utsumi D21/578
D806,958 S * 1/2018 Maloney D30/122
D822,292 S * 7/2018 Hua D30/122
D822,770 S * 7/2018 Hsiao D21/578
D825,010 S * 8/2018 Osentoski D21/578
D840,115 S * 2/2019 Nieves D30/122
D843,498 S * 3/2019 Clerc D21/578
D843,665 S * 3/2019 Zeng D30/122
D852,286 S * 6/2019 Chen D21/578
D867,477 S * 11/2019 He D21/578
D868,907 S * 12/2019 Liu D21/578
D877,424 S * 3/2020 Xu D30/122
D878,490 S * 3/2020 Hayashi D21/578
D879,853 S * 3/2020 Baba D15/199
D882,705 S * 4/2020 Lee D21/578
D883,402 S * 5/2020 Lee D21/578
D884,986 S * 5/2020 Chen D30/122
D888,346 S * 6/2020 Jiang D30/122
D892,233 S * 8/2020 Miao D21/578
D894,248 S * 8/2020 Kim D15/199
D896,291 S * 9/2020 Xing D15/199
2005/0252457 A1 * 11/2005 Morosin A01K 5/0291
119/51.13
2013/0333622 A1 * 12/2013 Jin A01K 5/0291
119/51.01
2020/0100459 A1 * 4/2020 Chen A01K 5/0275

* cited by examiner

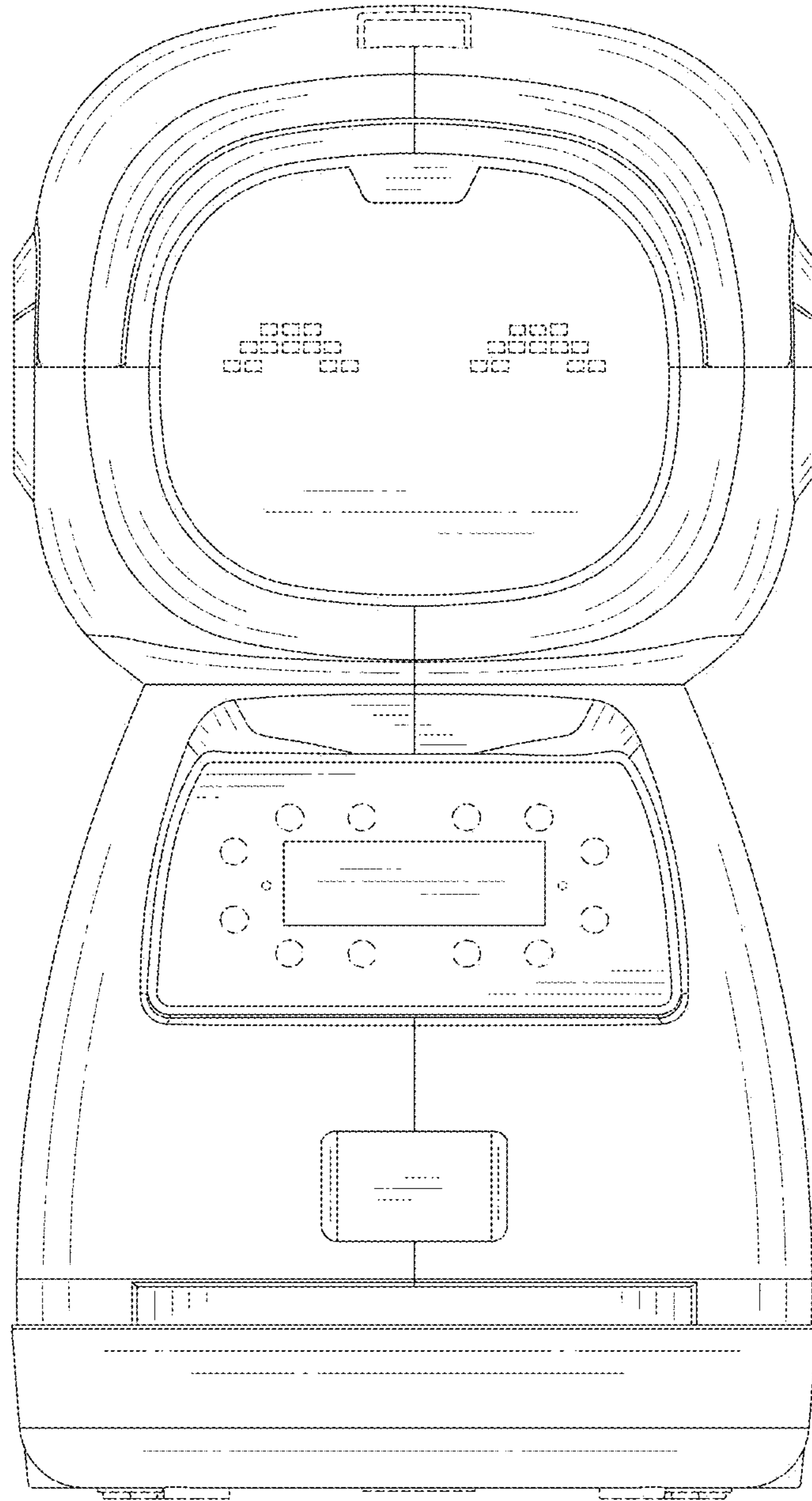


Fig. 1

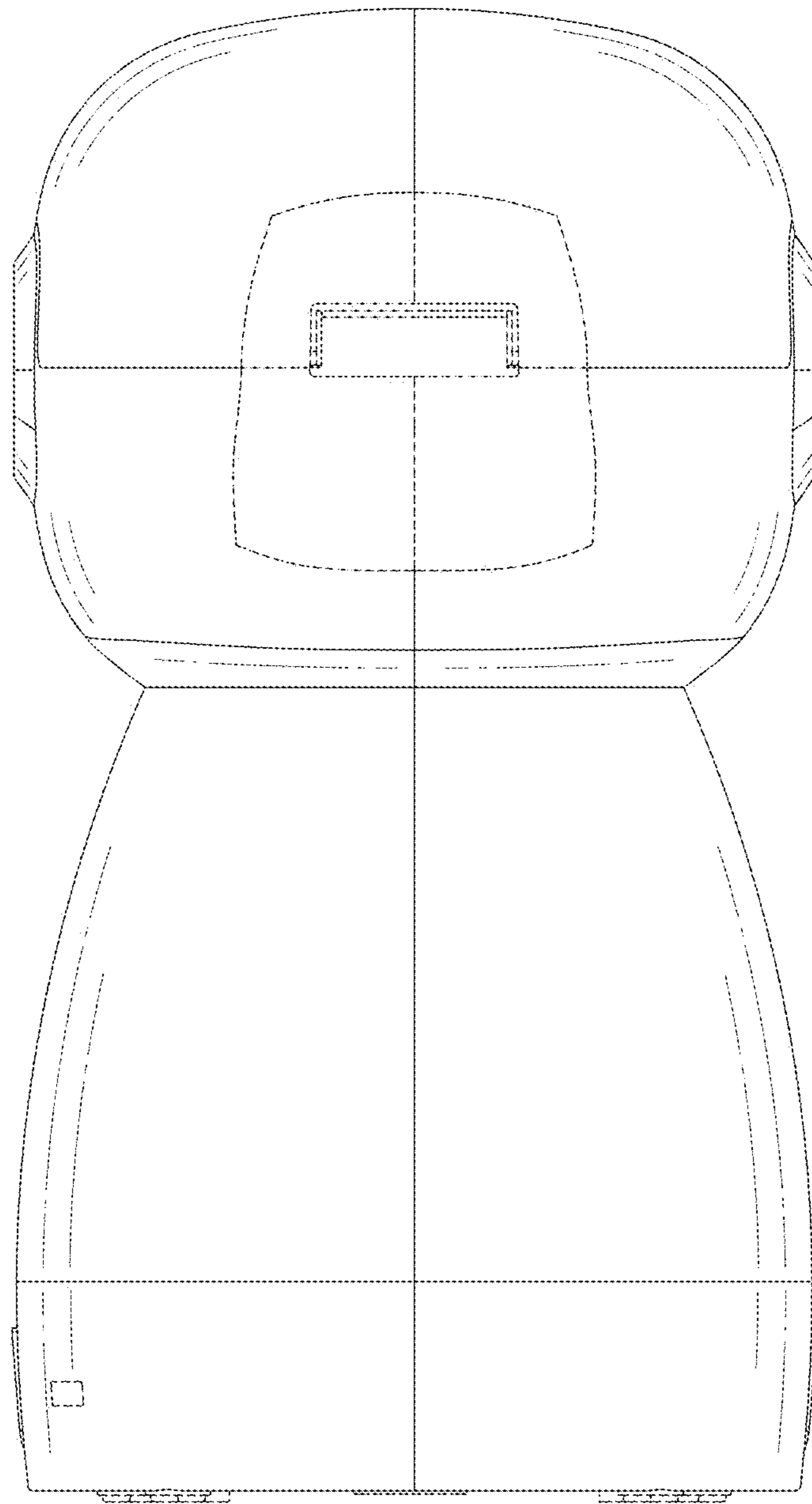


Fig. 2

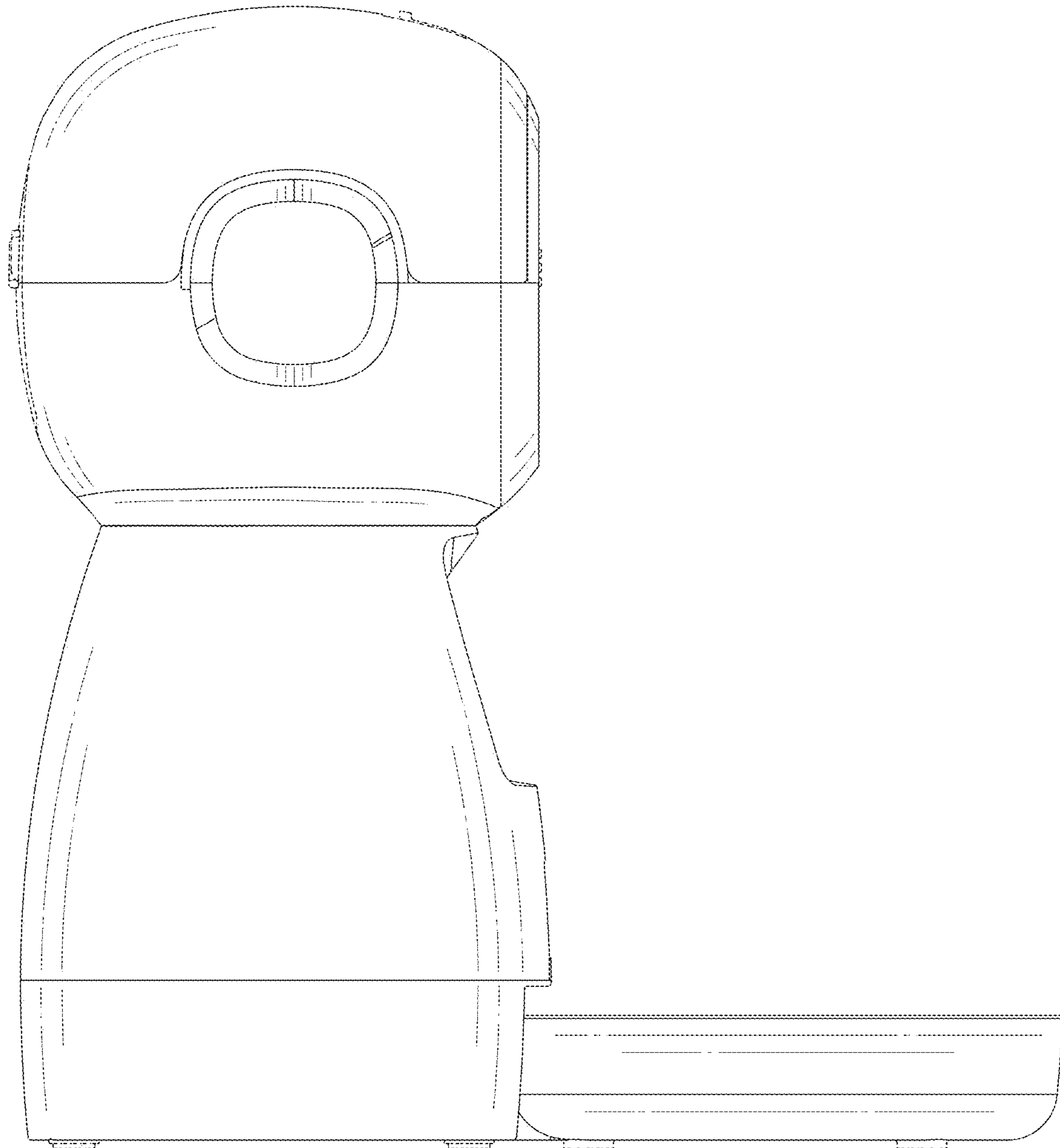


Fig. 3

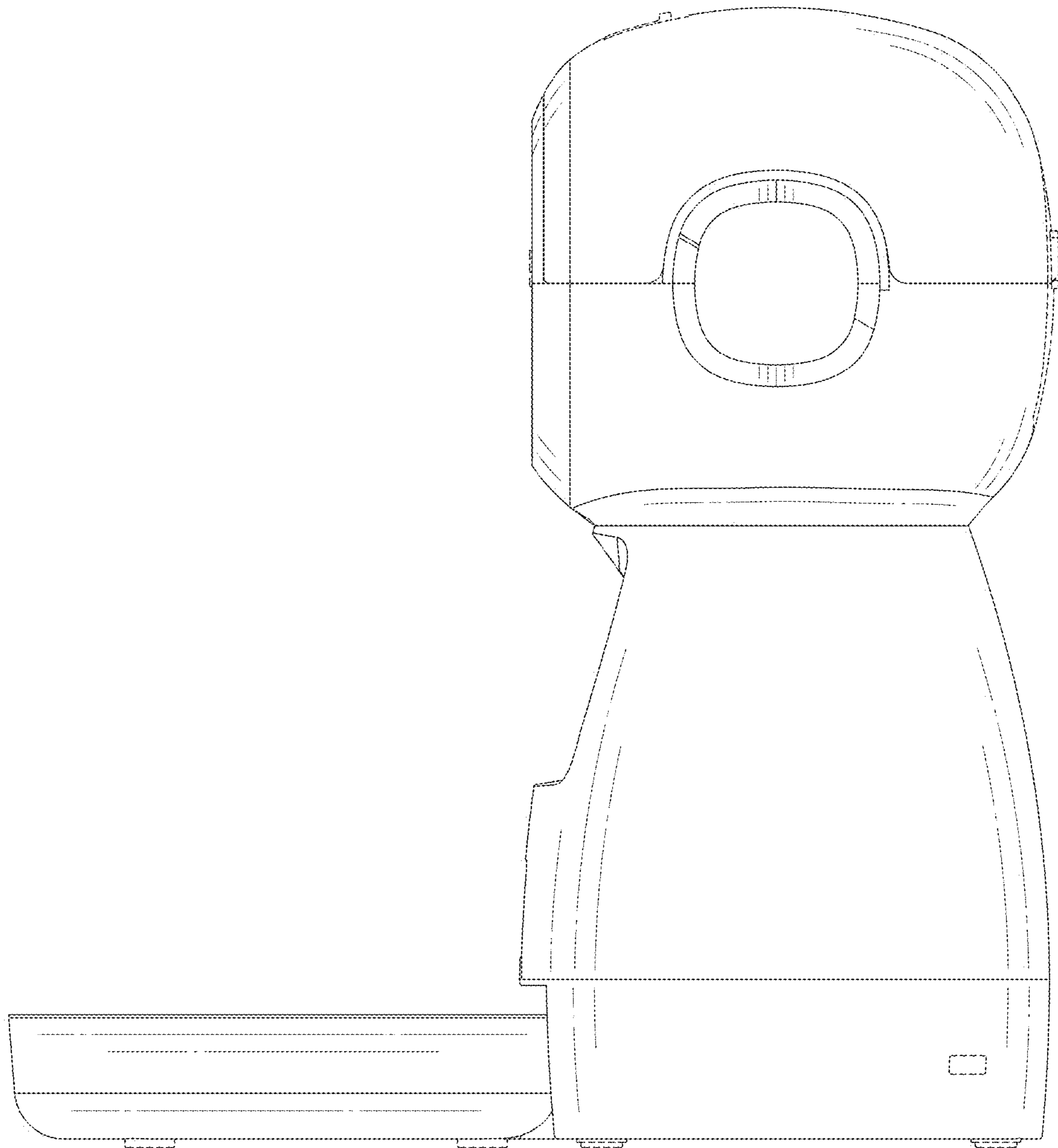


Fig. 4

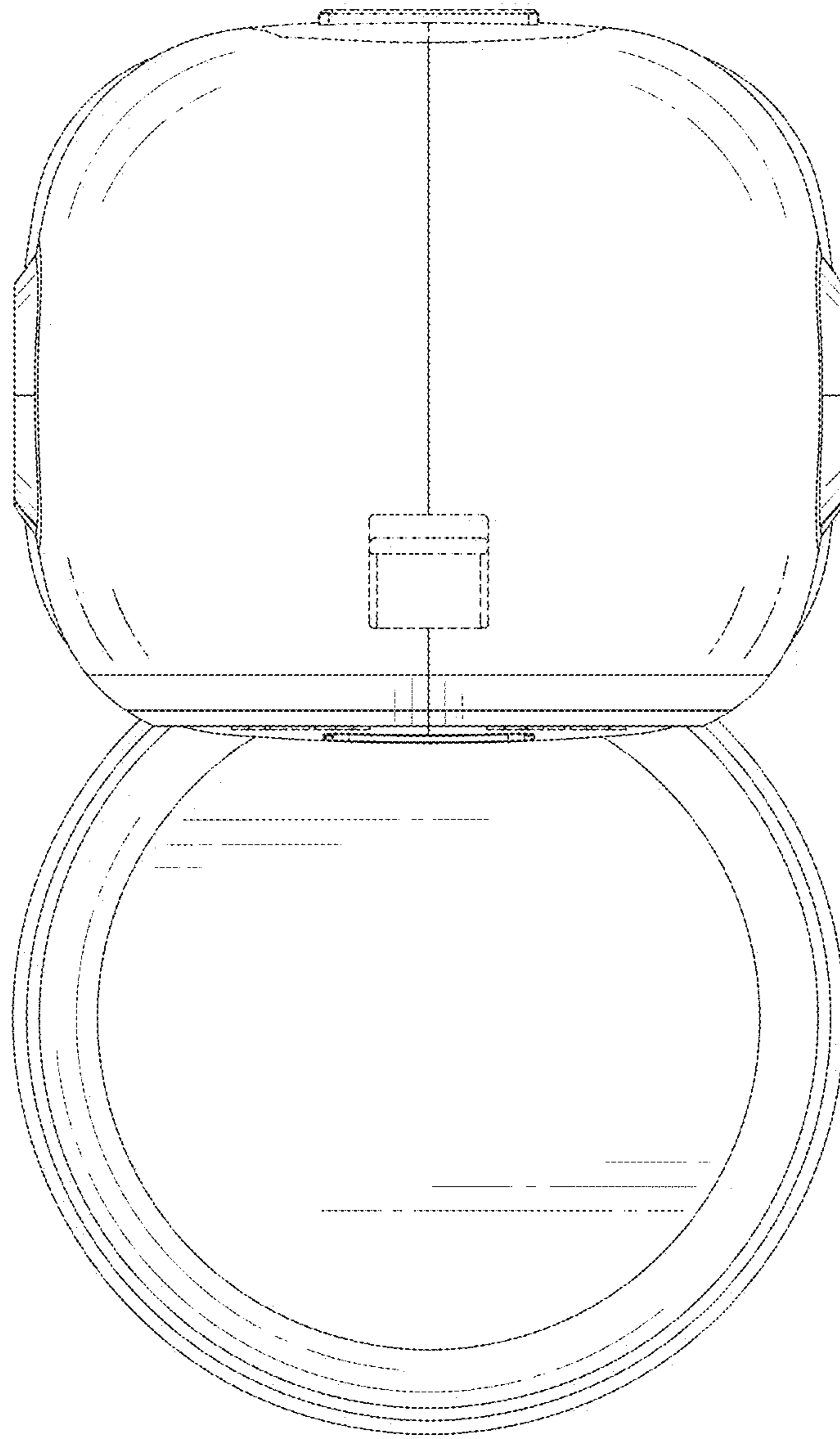


Fig. 5

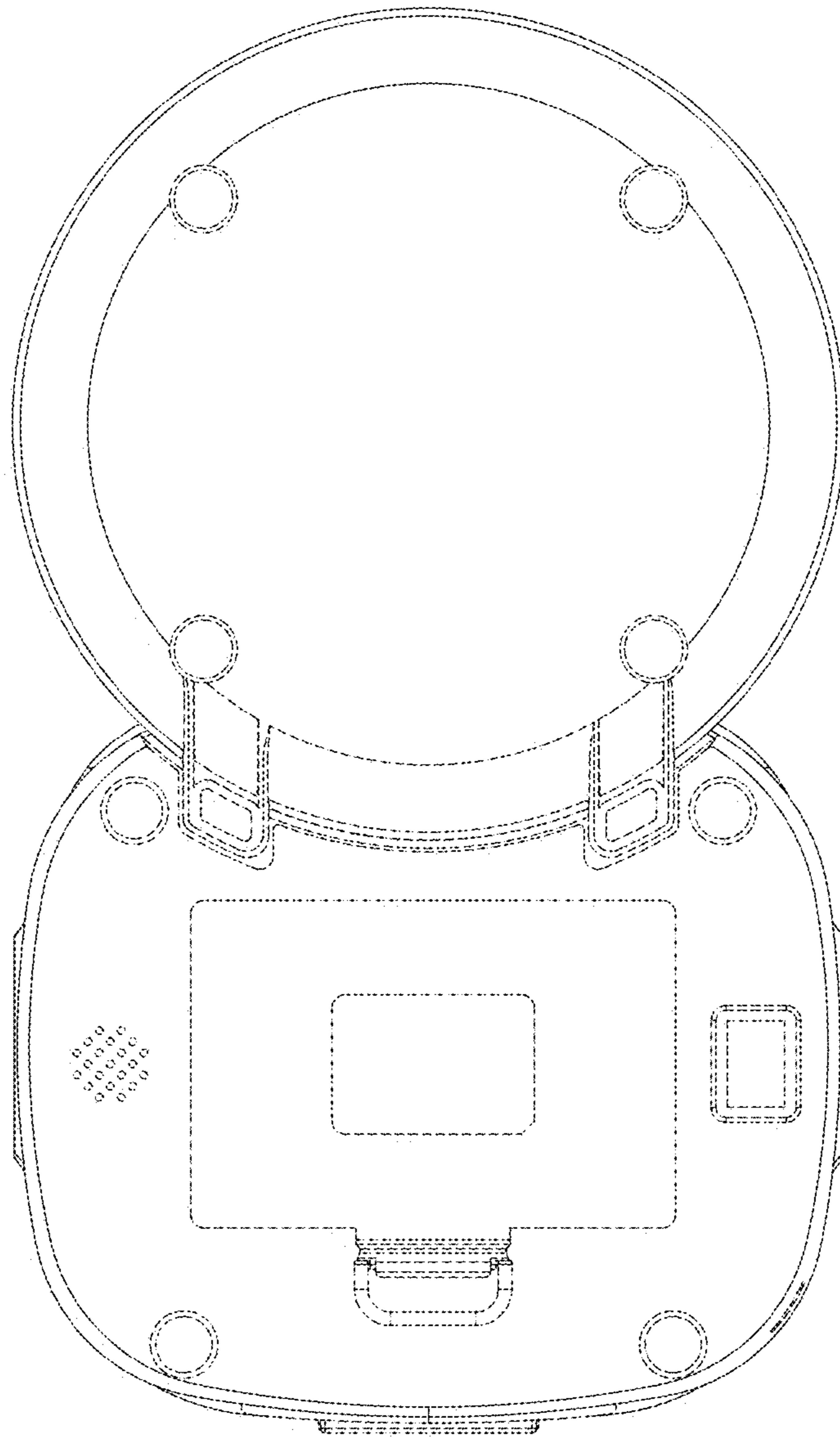


Fig. 6

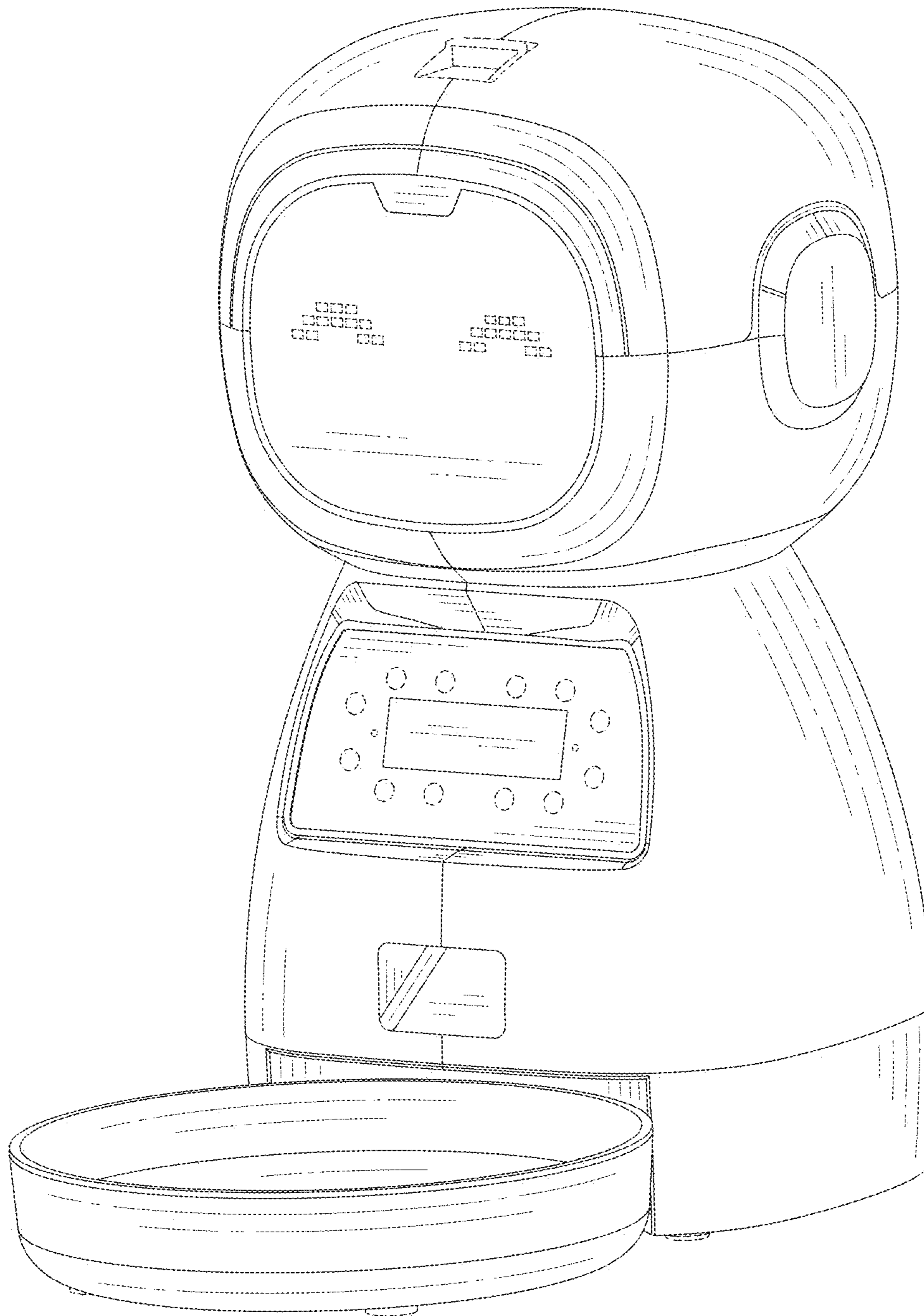


Fig. 7