



US00D907305S

(12) **United States Design Patent**  
**Wang**

(10) **Patent No.:** **US D907,305 S**

(45) **Date of Patent:** **\*\* Jan. 5, 2021**

(54) **PET FEEDER**

(71) Applicant: **Shenzhen Blue Koosound Technology Co., Ltd.**, Shenzhen (CN)

(72) Inventor: **Xuanyan Wang**, Shenzhen (CN)

(73) Assignee: **Shenzhen Blue Koosound Technology Co., Ltd.**, Shenzhen (CN)

(\*\*) Term: **15 Years**

(21) Appl. No.: **29/718,544**

(22) Filed: **Dec. 26, 2019**

(30) **Foreign Application Priority Data**

Nov. 29, 2019 (CN) ..... 2019 3 0663853

(51) **LOC (13) Cl.** ..... **30-07**

(52) **U.S. Cl.**  
USPC ..... **D30/122**

(58) **Field of Classification Search**

USPC ..... D30/121, 122, 129-133, 120; 119/61.5, 119/51.01, 61.56, 51.03, 59, 62, 63, 51.5, 119/57.8, 74, 61.54, 61.55, 53, 53.5, 75, 119/56.2, 51.02, 51.11, 51.12, 57.1, 52.1, 119/515; 312/204; 248/151, 188; 108/156, 153.1-157; 220/23.87, 630, 220/737, 743, 9.4, 495.01, 574, 212, 255, 220/23.83; 206/515; D7/586, 543, D7/550.1, 587, 505, 584, 545, 500, D7/553.1-553.8, 546, 555, 556, 504, 565, D7/562, 602, 605, 312, 313, 320, 307, D7/306, 309, 354, 311, 399, 397, 323, D7/332, 331, 347, 346, 322, 318, 317, D7/316, 619.1; D9/429; 43/109; D22/122; 99/430, DIG. 15, 280, 285, 99/312; 222/209, 131, 363, 349, 517, 222/153.13, 401, 1, 146.5, 23, 54, 64, 51, 222/156, 399, 400.8; 219/438, 439, 441, 219/385, 386, 402, 407; 210/94, 184, 210/474, 477

CPC ..... A01K 5/02; A01K 5/0225; A01K 5/0114; A01K 5/025; A01K 5/0266; A01K 5/0275; A01K 5/0283; A01K 5/0291; A01K 5/0258; A01K 5/0142; A01K 5/0233; A01K 29/00;

(Continued)

(56) **References Cited**

U.S. PATENT DOCUMENTS

867,621 A \* 10/1907 Tannehill ..... A01K 39/026  
119/77  
3,720,184 A \* 3/1973 Pearce ..... A01K 5/0225  
119/51.5

(Continued)

*Primary Examiner* — Susan Moon Lee

(74) *Attorney, Agent, or Firm* — Michael A. Bondi; Moss & Barnett

(57) **CLAIM**

I claim the ornamental design for a pet feeder, as shown and described.

**DESCRIPTION**

FIG. 1 is a front elevational view of a pet feeder showing our new design.

FIG. 2 is a rear elevational view thereof.

FIG. 3 is a left side elevational view thereof.

FIG. 4 is a right side elevational view thereof.

FIG. 5 is a top plan view thereof.

FIG. 6 is a bottom plan view thereof.

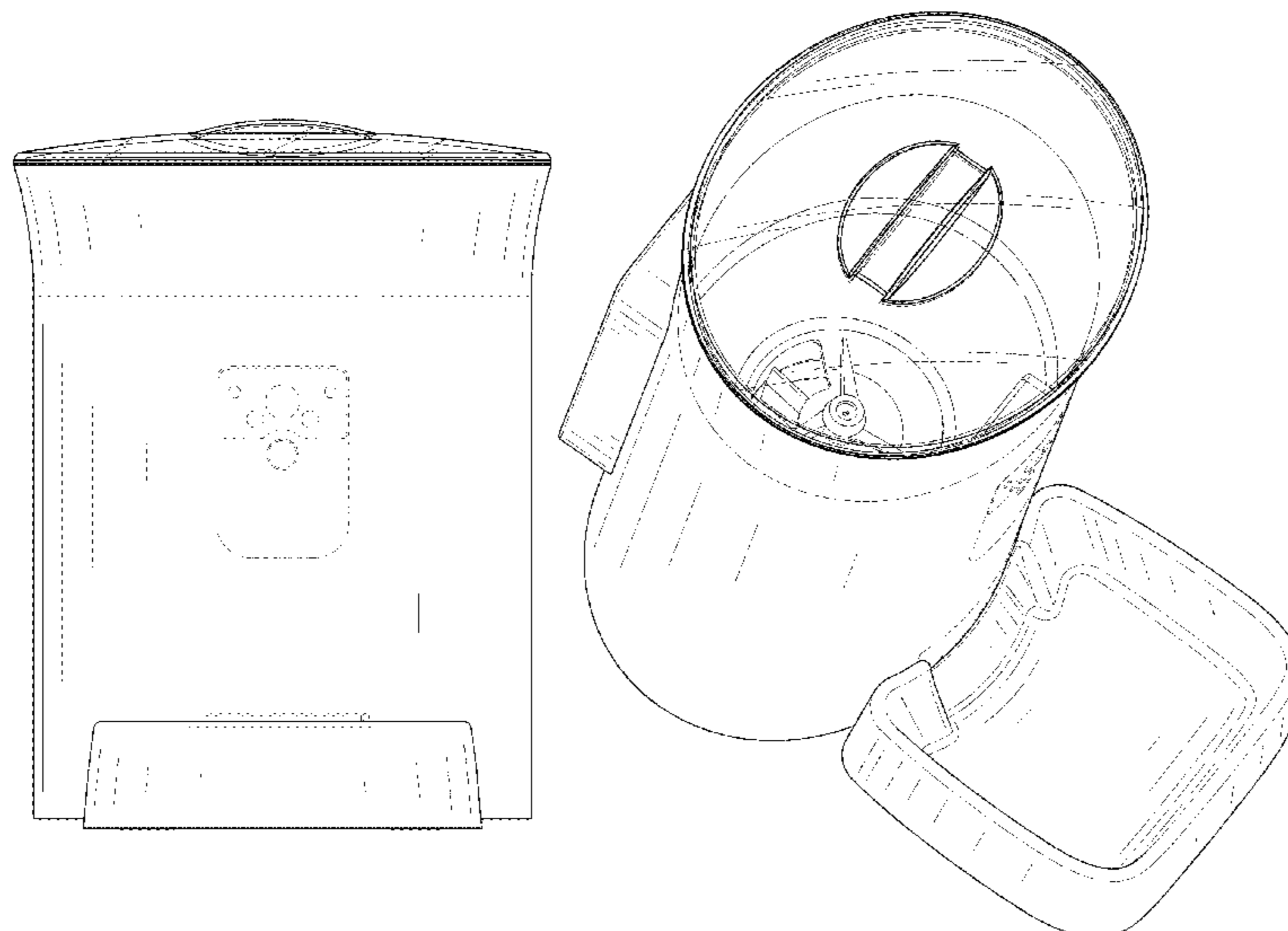
FIG. 7 is a front, left and top side perspective view thereof.

FIG. 8 is a rear, left and top side perspective view thereof; and,

FIG. 9 is a rear, left and bottom side perspective view thereof.

The broken lines shown in the drawings represent portions of the pet feeder that form no part of the claimed design.

**1 Claim, 9 Drawing Sheets**



(58) **Field of Classification Search**

CPC ..... A01K 7/00; G01F 11/24; G01F 23/02;  
 B67D 1/0425; B67D 1/04; B67D 1/00;  
 B67D 1/02; B67D 1/0871; B67D 1/0802;  
 A47J 41/0033; A47J 41/005; A47J  
 41/0088; A47J 41/0094; A47J 31/04;  
 A47J 31/053; B05B 11/00; B05B  
 11/0002; B05B 11/0005; B05B 11/001;  
 C02F 1/003; C02F 1/283; C02F 2307/02

See application file for complete search history.

(56) **References Cited**

U.S. PATENT DOCUMENTS

4,034,715 A \* 7/1977 Arner ..... A01K 5/0114  
 119/51.5  
 4,721,063 A \* 1/1988 Atchley ..... A01K 5/0114  
 119/52.1  
 4,735,171 A \* 4/1988 Essex ..... A01K 5/0291  
 119/51.12  
 4,840,143 A \* 6/1989 Simon ..... A01K 5/0225  
 119/52.1  
 D351,689 S \* 10/1994 VanSkiver ..... D30/121  
 D371,643 S \* 7/1996 Lillelund ..... D30/122  
 5,845,600 A \* 12/1998 Mendes ..... A01K 7/02  
 119/51.5  
 6,863,025 B2 \* 3/2005 Ness ..... A01K 7/02  
 119/51.5  
 6,880,484 B1 \* 4/2005 Lee ..... A01G 27/02  
 119/74  
 7,426,901 B2 \* 9/2008 Turner ..... A01K 5/0114  
 119/51.02  
 7,984,694 B2 \* 7/2011 Wu ..... A01K 5/0275  
 119/51.02  
 D664,304 S \* 7/2012 Whelan ..... D30/122  
 8,336,493 B1 \* 12/2012 Weber ..... A01K 5/0114  
 119/52.1  
 8,701,595 B2 \* 4/2014 Jin ..... A01K 5/0291  
 119/51.11

D731,124 S \* 6/2015 Shin ..... D30/122  
 9,198,398 B2 \* 12/2015 Rogers ..... A01K 7/06  
 D751,774 S \* 3/2016 Allen ..... D30/122  
 D806,958 S \* 1/2018 Maloney ..... D30/122  
 D814,124 S \* 3/2018 Ward ..... D30/122  
 D843,665 S \* 3/2019 Zeng ..... D30/122  
 D844,258 S \* 3/2019 Xu ..... D30/122  
 D846,815 S \* 4/2019 Darkwah ..... D30/132  
 D852,431 S \* 6/2019 Ma ..... D30/122  
 D876,022 S \* 2/2020 Hua ..... D30/122  
 D877,424 S \* 3/2020 Xu ..... D30/122  
 D884,986 S \* 5/2020 Chen ..... D30/122  
 D885,685 S \* 5/2020 Chen ..... D30/122  
 D897,610 S \* 9/2020 Baxter ..... D30/122  
 2002/0096120 A1 \* 7/2002 Busha ..... A01K 5/0291  
 119/51.5  
 2005/0252457 A1 \* 11/2005 Morosin ..... A01K 5/0291  
 119/51.13  
 2009/0173282 A1 \* 7/2009 Wu ..... A01K 5/0275  
 119/51.02  
 2011/0186585 A1 \* 8/2011 Lu ..... B65D 41/04  
 220/575  
 2012/0125263 A1 \* 5/2012 Northrop ..... A01K 5/0114  
 119/52.1  
 2013/0213308 A1 \* 8/2013 Koskey, Jr. .... A01K 7/027  
 119/74  
 2013/0269620 A1 \* 10/2013 Qiu ..... A01K 7/00  
 119/56.1  
 2013/0298839 A1 \* 11/2013 Richards ..... C02F 1/003  
 119/75  
 2014/0083364 A1 \* 3/2014 Anderson ..... A01K 5/01  
 119/51.01  
 2015/0068463 A1 \* 3/2015 Worry ..... A01K 5/0291  
 119/57.1  
 2015/0143750 A1 \* 5/2015 Jalbert ..... A01K 5/0291  
 49/25  
 2019/0029221 A1 \* 1/2019 Anderton ..... A01K 11/006  
 2019/0029222 A1 \* 1/2019 Anderton ..... A01K 5/0233  
 2019/0059322 A1 \* 2/2019 Xu ..... A01K 5/0225  
 2020/0100459 A1 \* 4/2020 Chen ..... A01K 5/0275  
 2020/0100460 A1 \* 4/2020 Chen ..... A01K 5/0225

\* cited by examiner

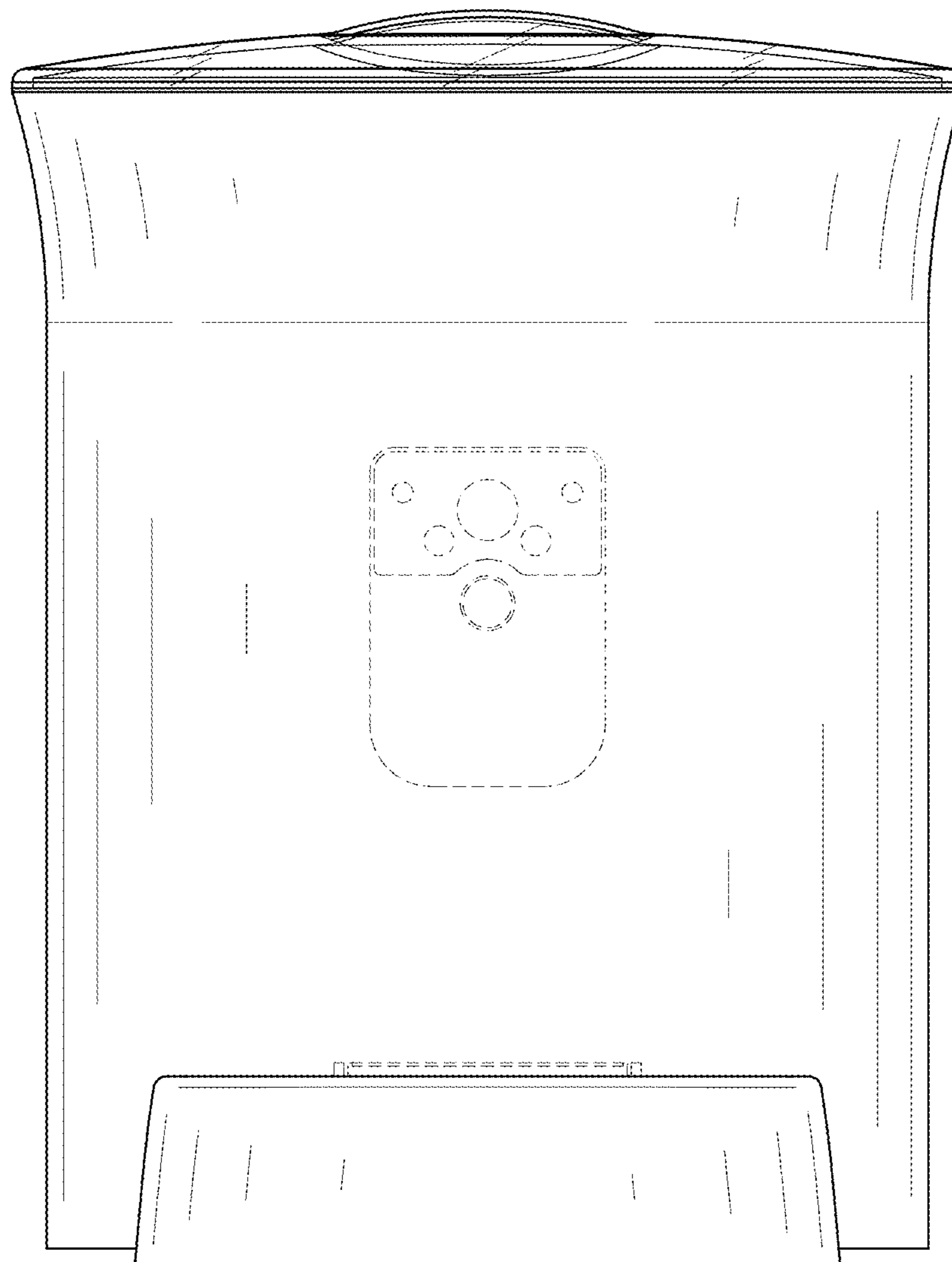


FIG. 1

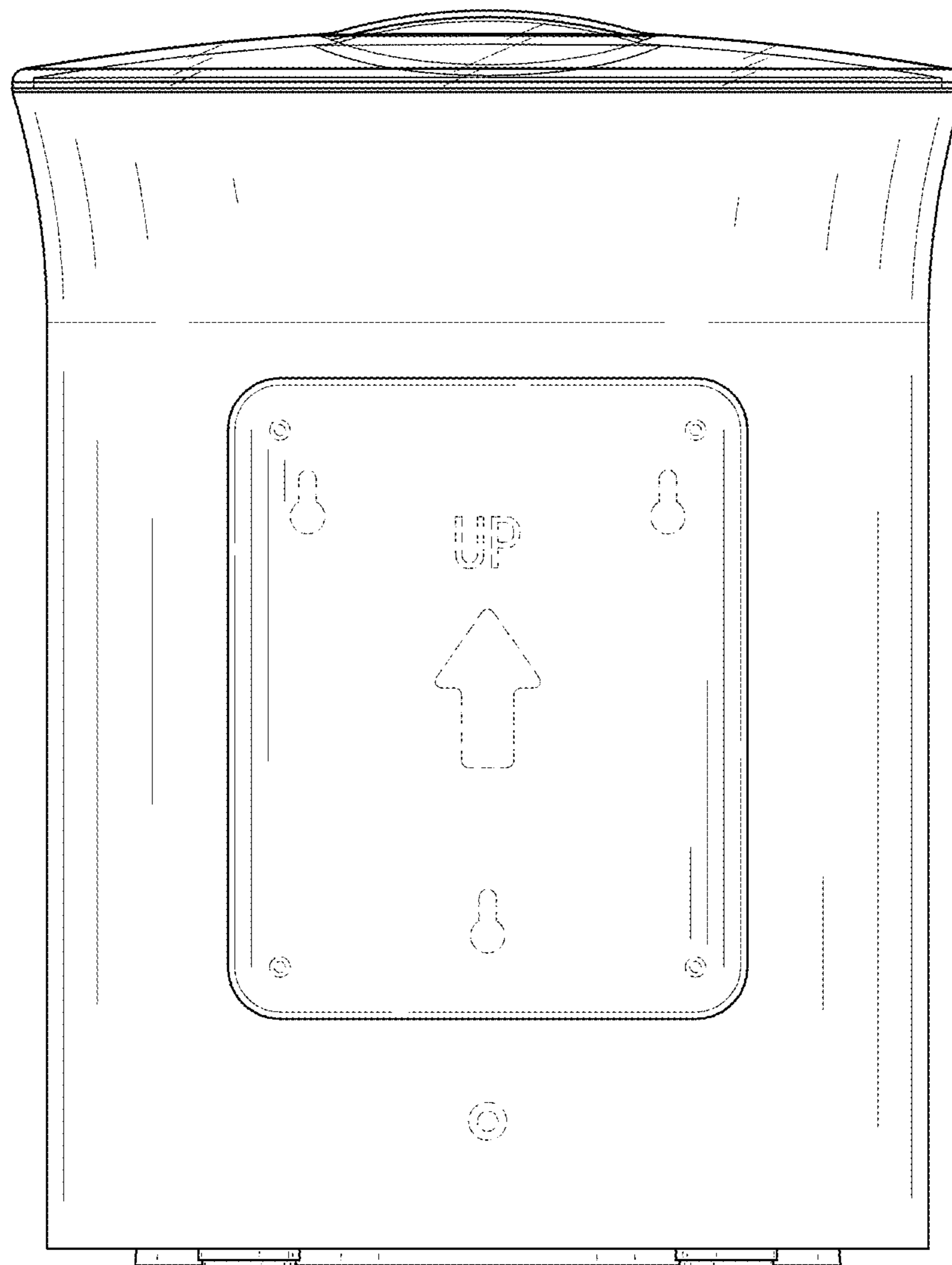


FIG. 2

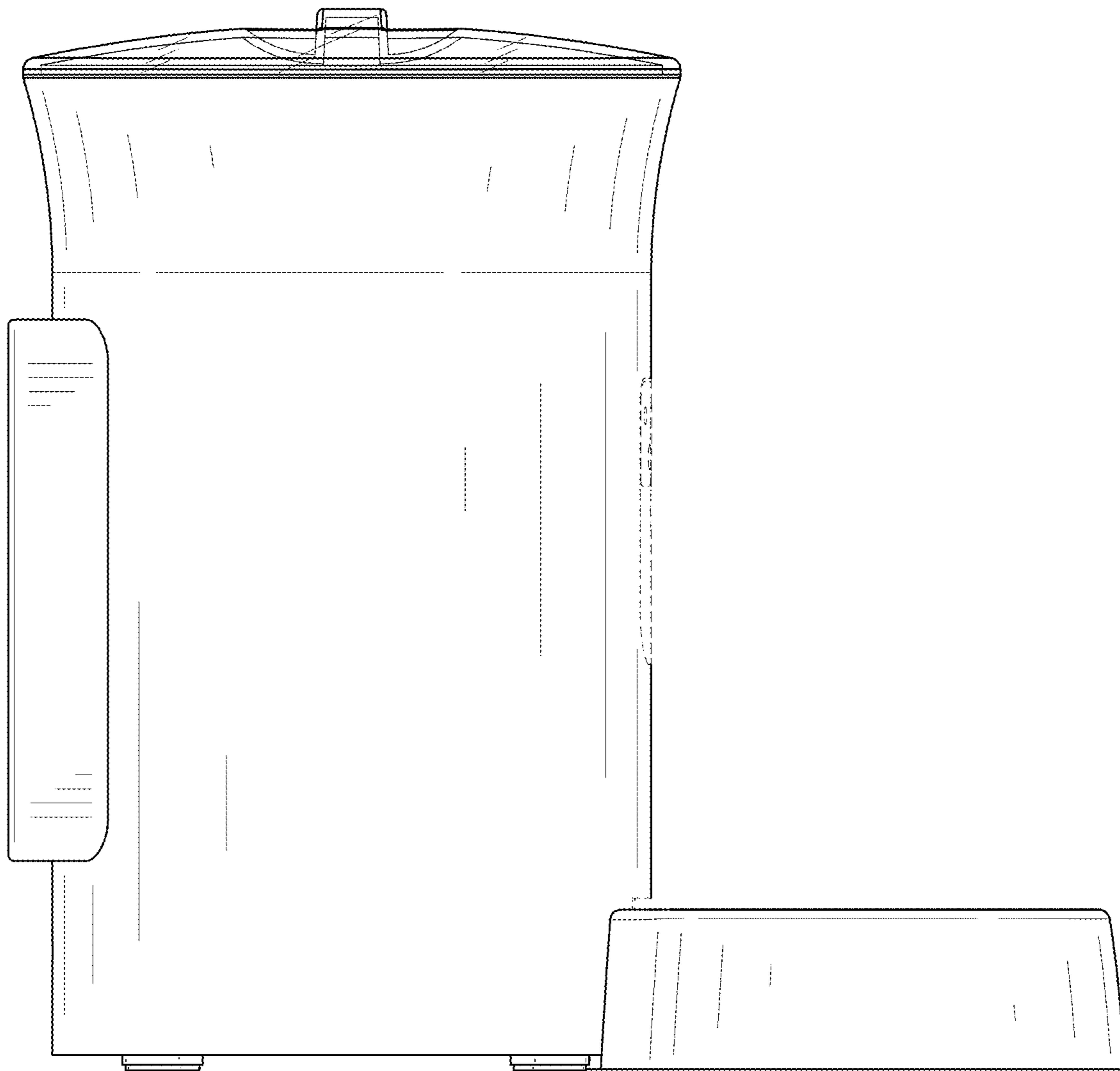


FIG. 3

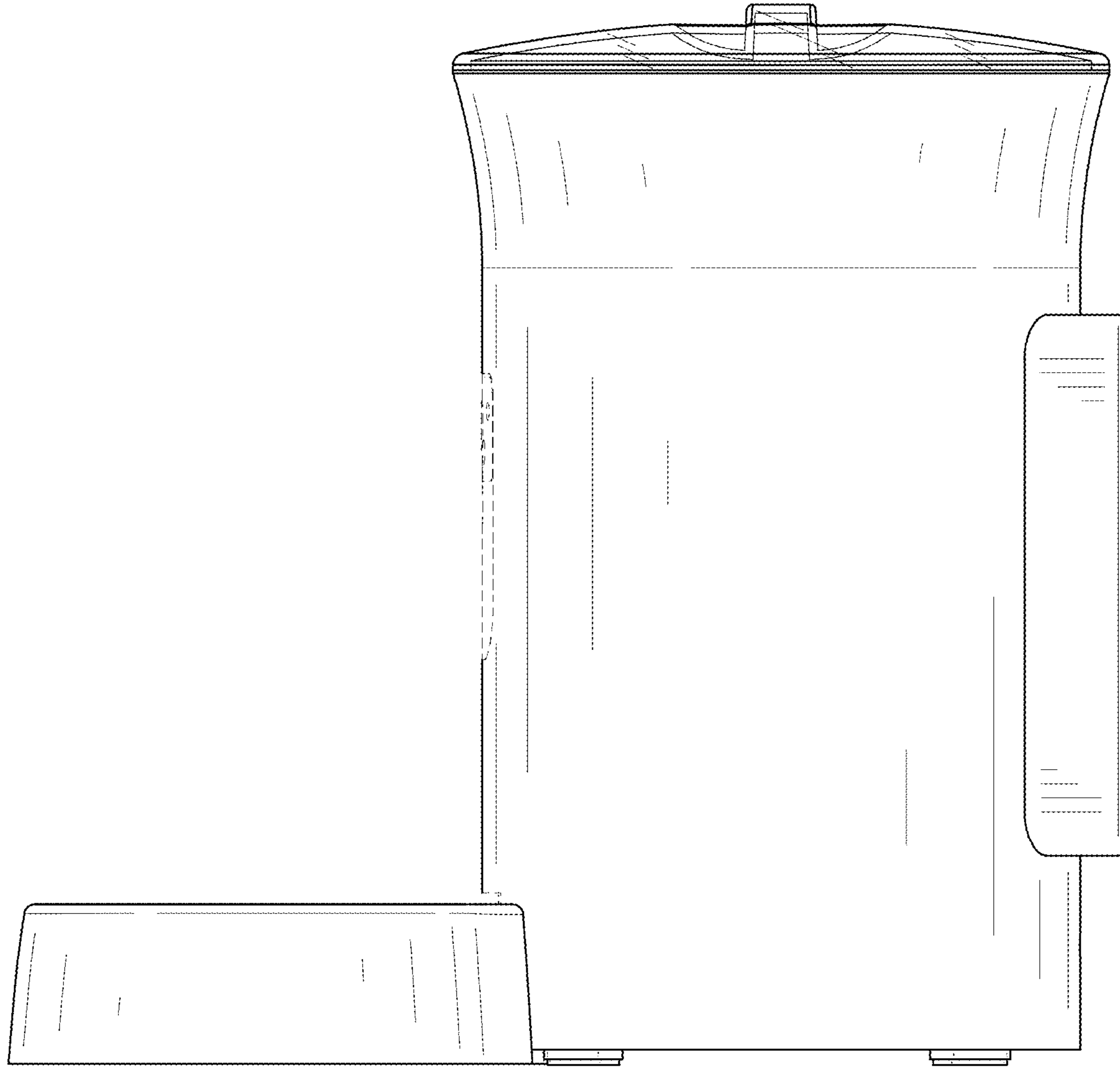


FIG. 4

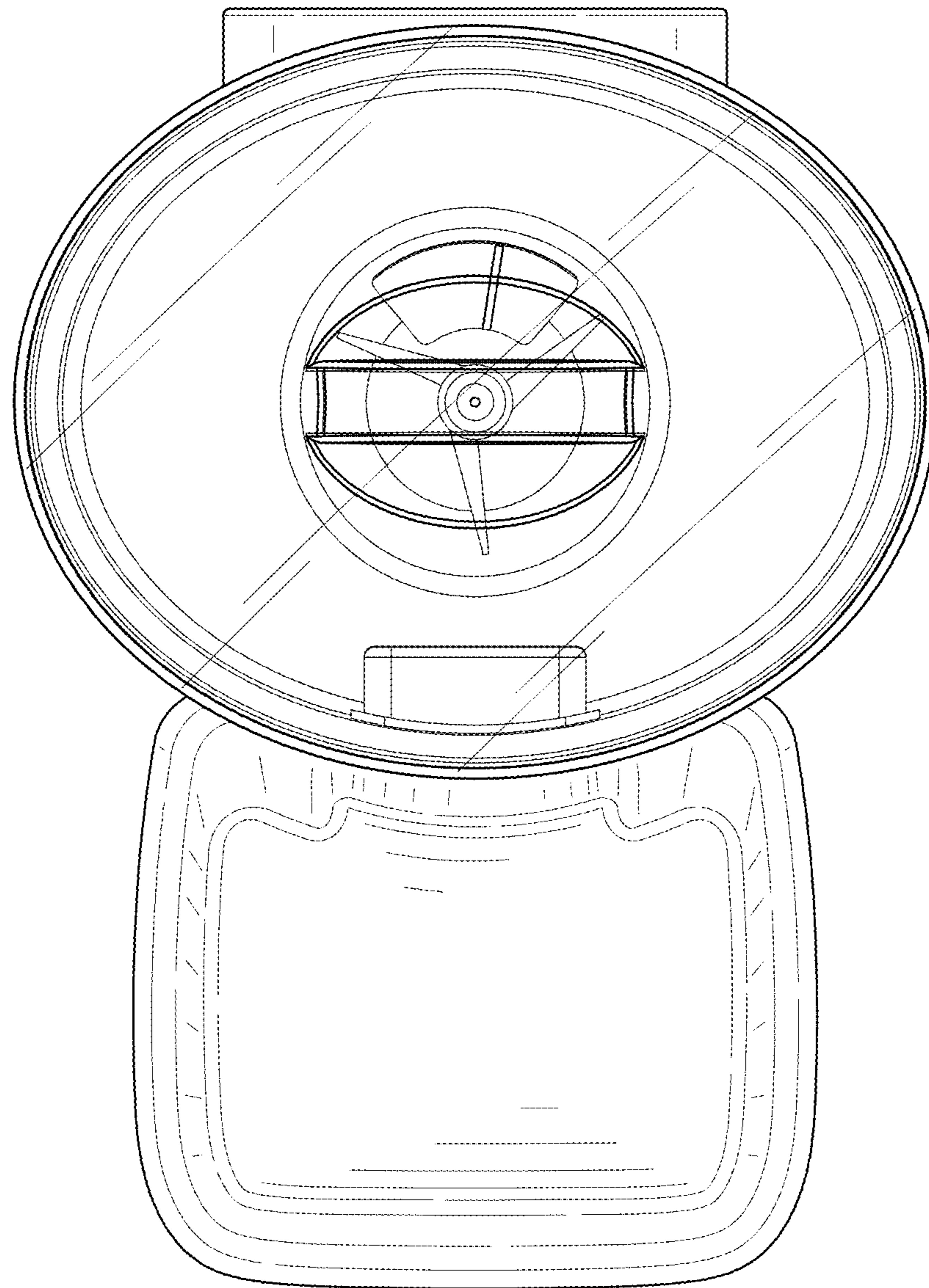


FIG. 5

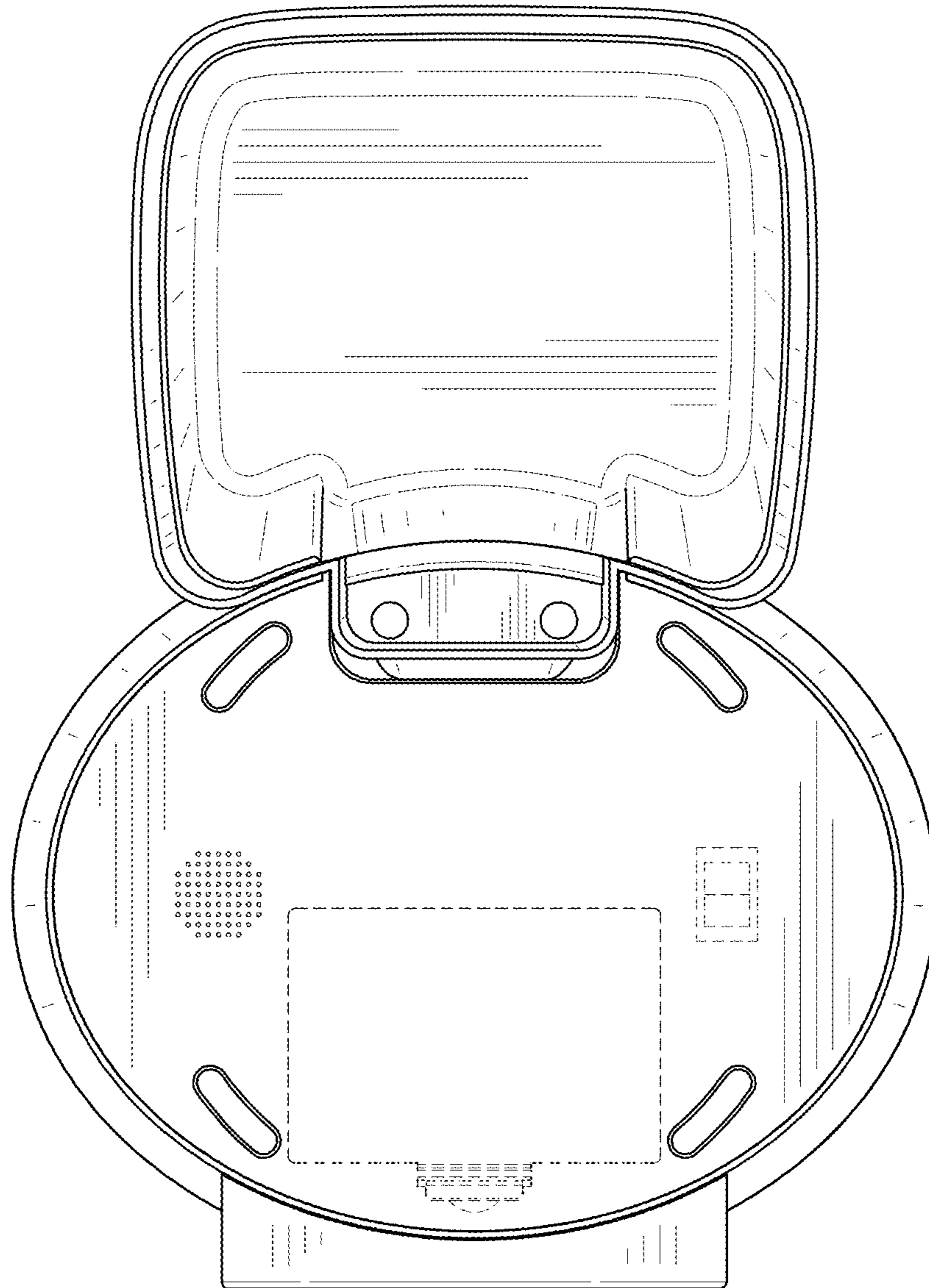


FIG. 6





FIG. 7

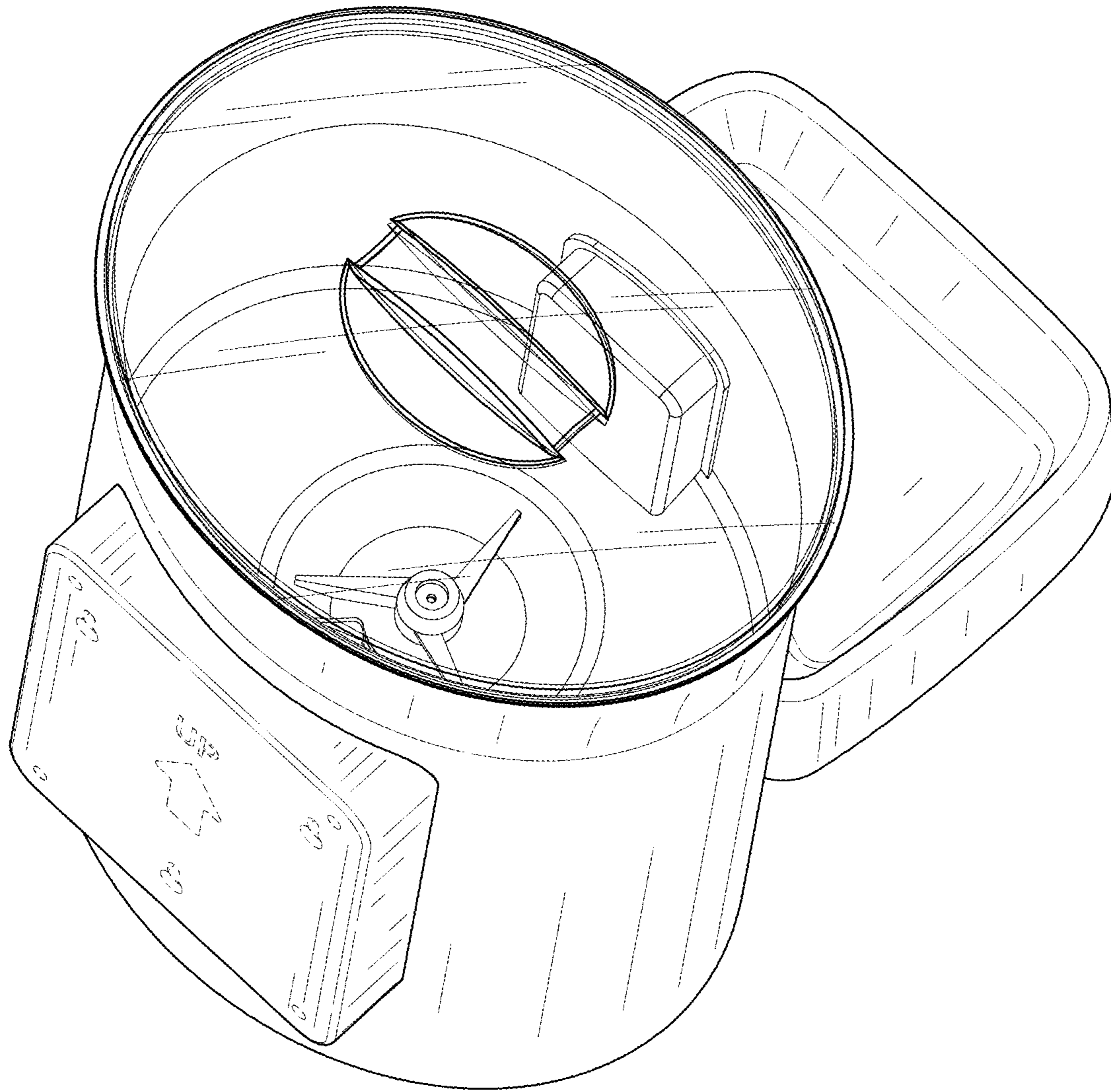


FIG. 8

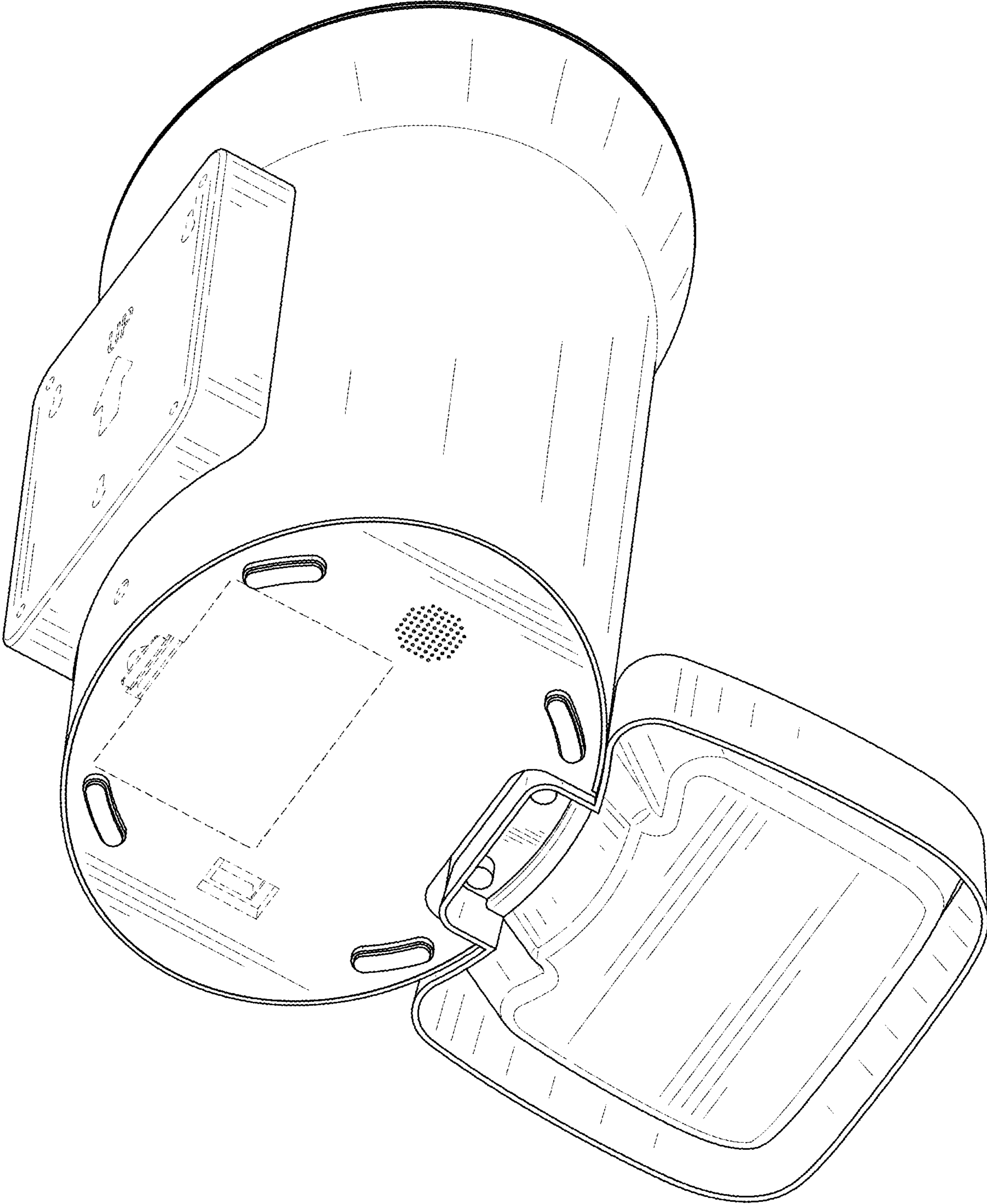


FIG. 9