



US00D907303S

(12) **United States Design Patent** (10) **Patent No.:** **US D907,303 S**
Wei (45) **Date of Patent:** **** Jan. 5, 2021**

(54) **FEEDING DEVICE** 6,694,917 B1 * 2/2004 Wang A01K 61/85
 119/51.11
 (71) Applicant: **MengHai Wei**, Shenzhen (CN) D487,535 S * 3/2004 Wang D30/122
 D561,406 S * 2/2008 Mayer D30/106
 (72) Inventor: **MengHai Wei**, Shenzhen (CN) D636,943 S * 4/2011 Pilz D30/122
 D736,481 S * 8/2015 Cornwell D30/122
 (**) Term: **15 Years** D747,047 S * 1/2016 Cornwell D30/122
 D823,456 S * 7/2018 Lacy D24/111
 D883,472 S * 5/2020 Hogerwerf D24/111
 (21) Appl. No.: **29/702,739** 2012/0227670 A1 * 9/2012 Hudson A01K 61/85
 119/51.04

(22) Filed: **Aug. 21, 2019**
 (51) **LOC (13) Cl.** **30-03**
 (52) **U.S. Cl.**
 USPC **D30/102; D30/106**
 (58) **Field of Classification Search**
 USPC D30/101-107, 199, 121, 122-124;
 D24/111; D15/28
 CPC A01K 61/85; A01K 61/80; A01K 61/02;
 Y02A 40/81
 See application file for complete search history.

* cited by examiner

Primary Examiner — Mark A Goodwin
 (74) *Attorney, Agent, or Firm* — Tsz Lung Yeung

(57) **CLAIM**

The ornamental design for a feeding device, as shown and described.

DESCRIPTION

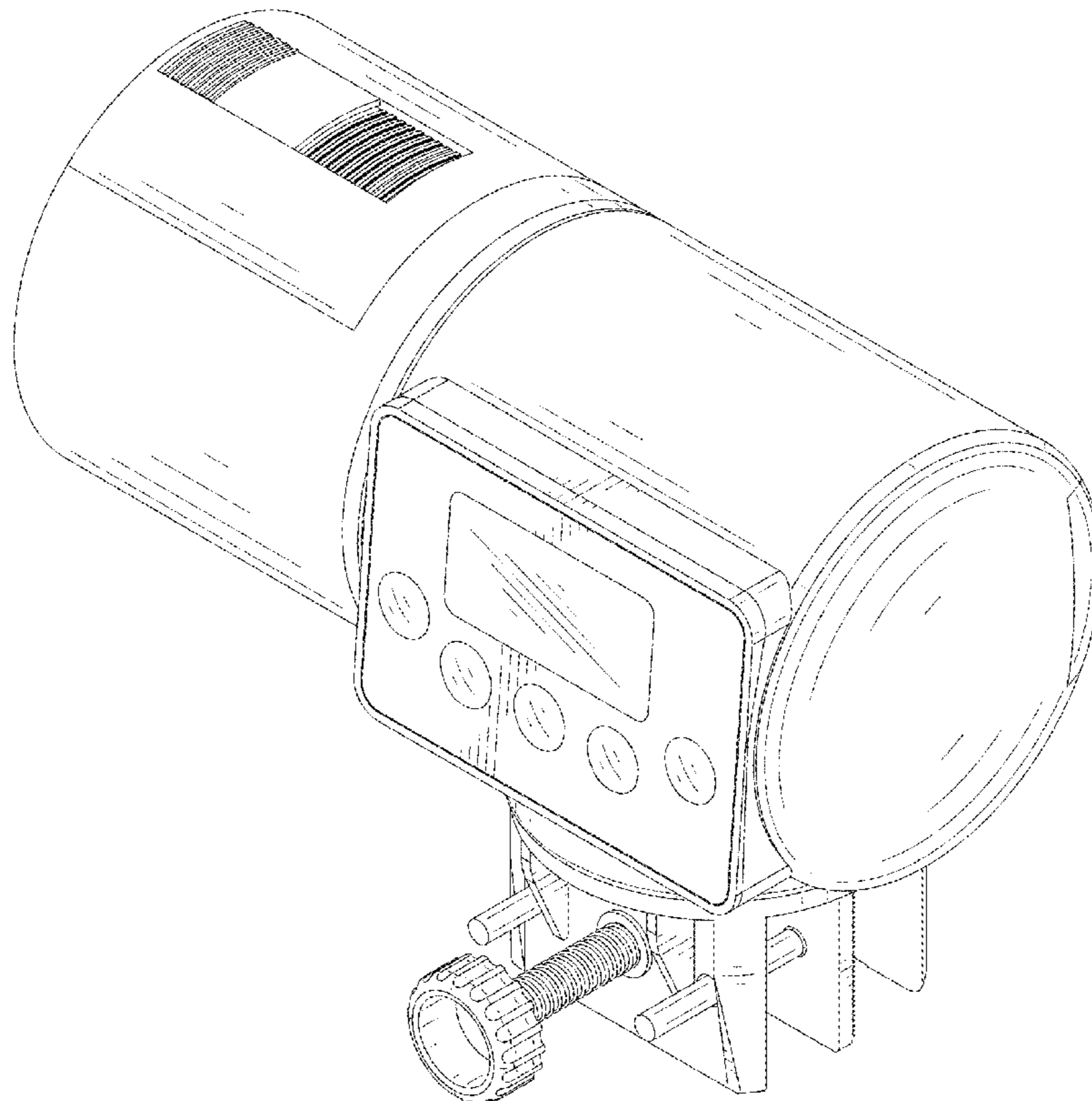
FIG. 1 is a perspective view of a feeding device showing my new design;
 FIG. 2 is a rear perspective view thereof;
 FIG. 3 is a front view thereof;
 FIG. 4 is a rear view thereof;
 FIG. 5 is a left side view thereof;
 FIG. 6 is a right side view thereof;
 FIG. 7 is a top view thereof; and,
 FIG. 8 is a bottom view thereof.

1 Claim, 8 Drawing Sheets

(56) **References Cited**

U.S. PATENT DOCUMENTS

2,785,831 A * 3/1957 Smolin A01K 61/85
 222/650
 3,140,693 A * 7/1964 Kaunzner A01K 61/85
 119/51.04
 D287,170 S * 12/1986 Goldman D30/122
 D312,149 S * 11/1990 Keil D30/106
 D313,093 S * 12/1990 Tanaka D30/106
 5,799,608 A * 9/1998 Beck A01K 61/85
 119/51.04
 D423,728 S * 4/2000 Brainard D30/106



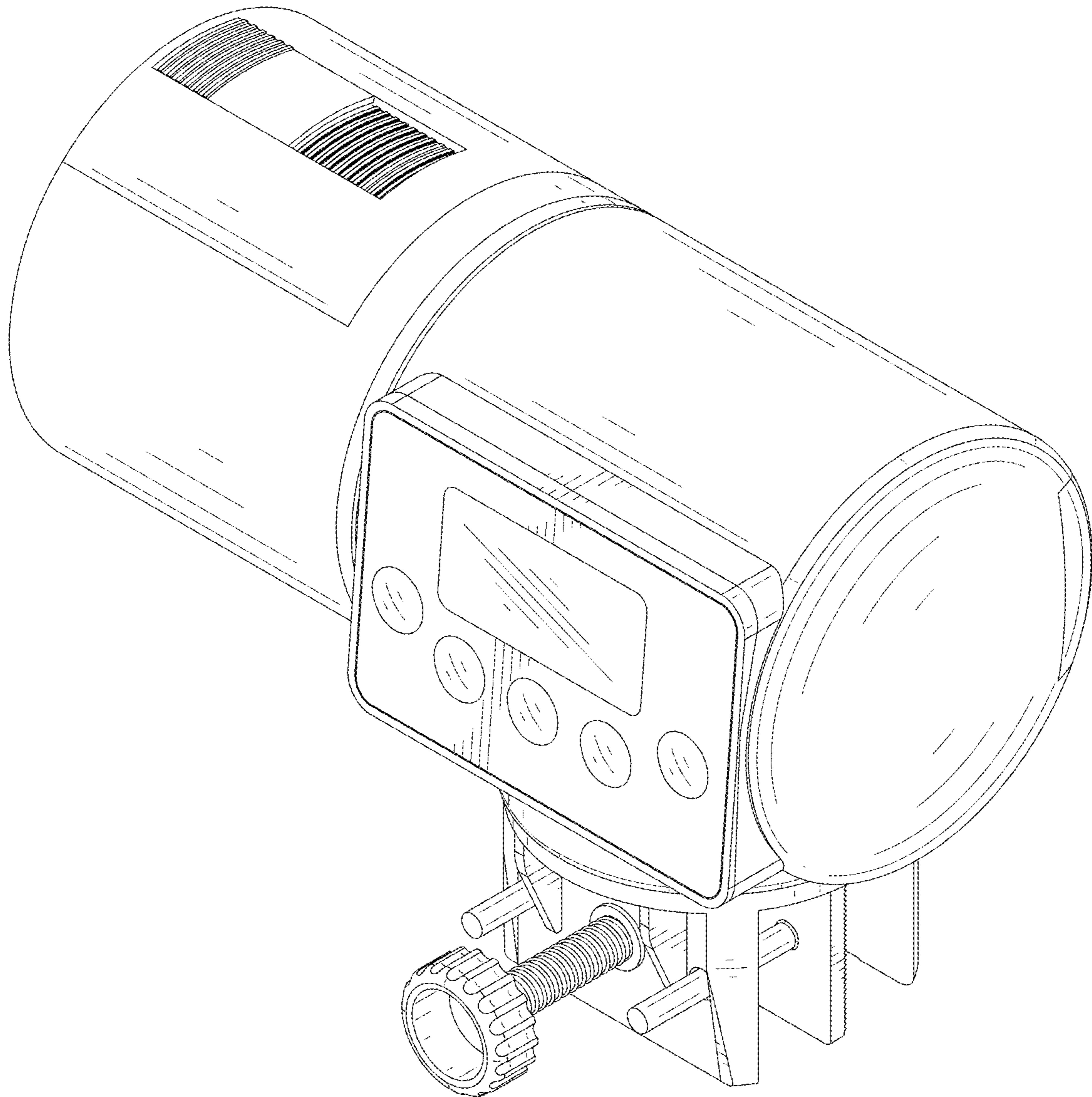


FIG.1

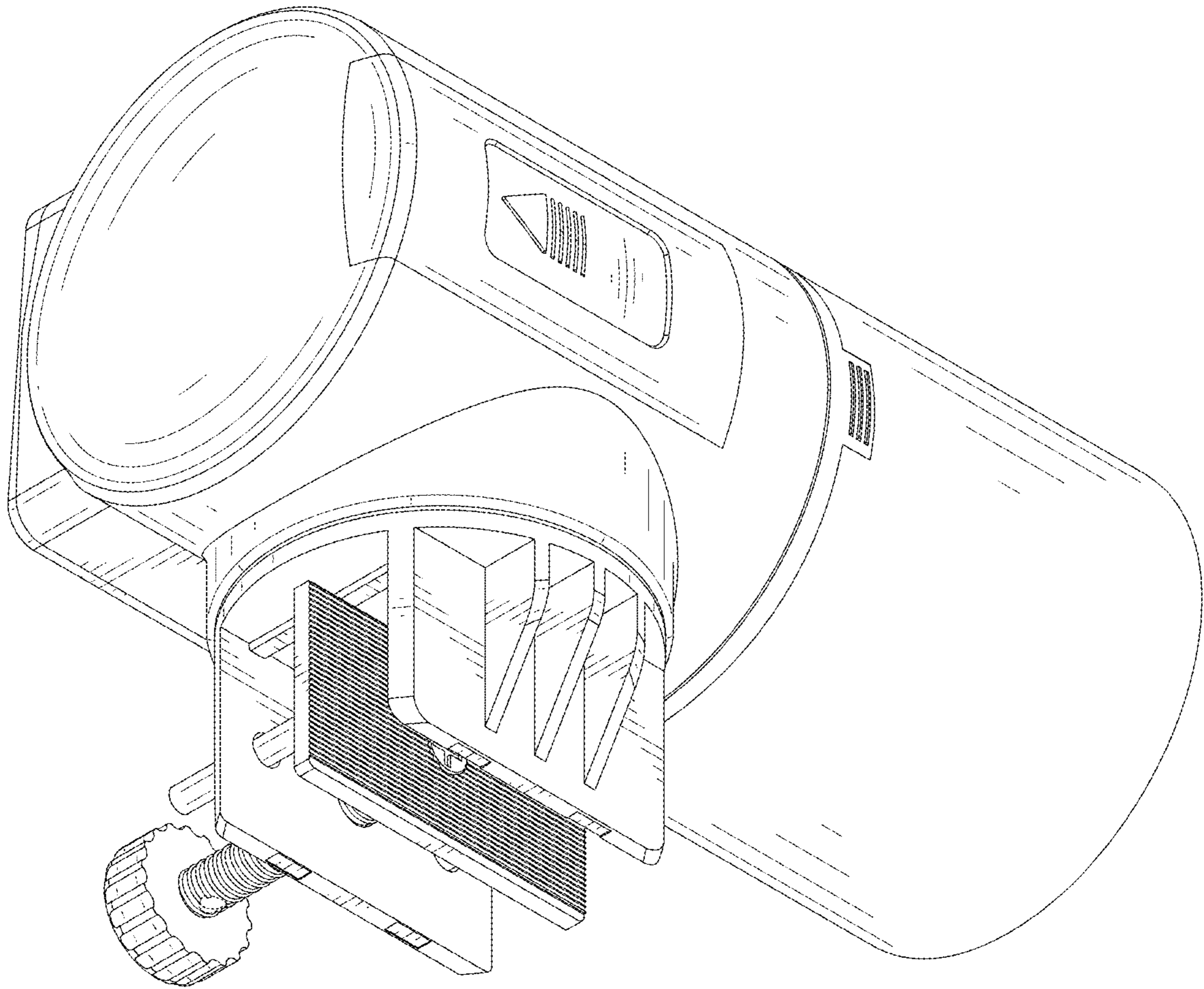


FIG.2

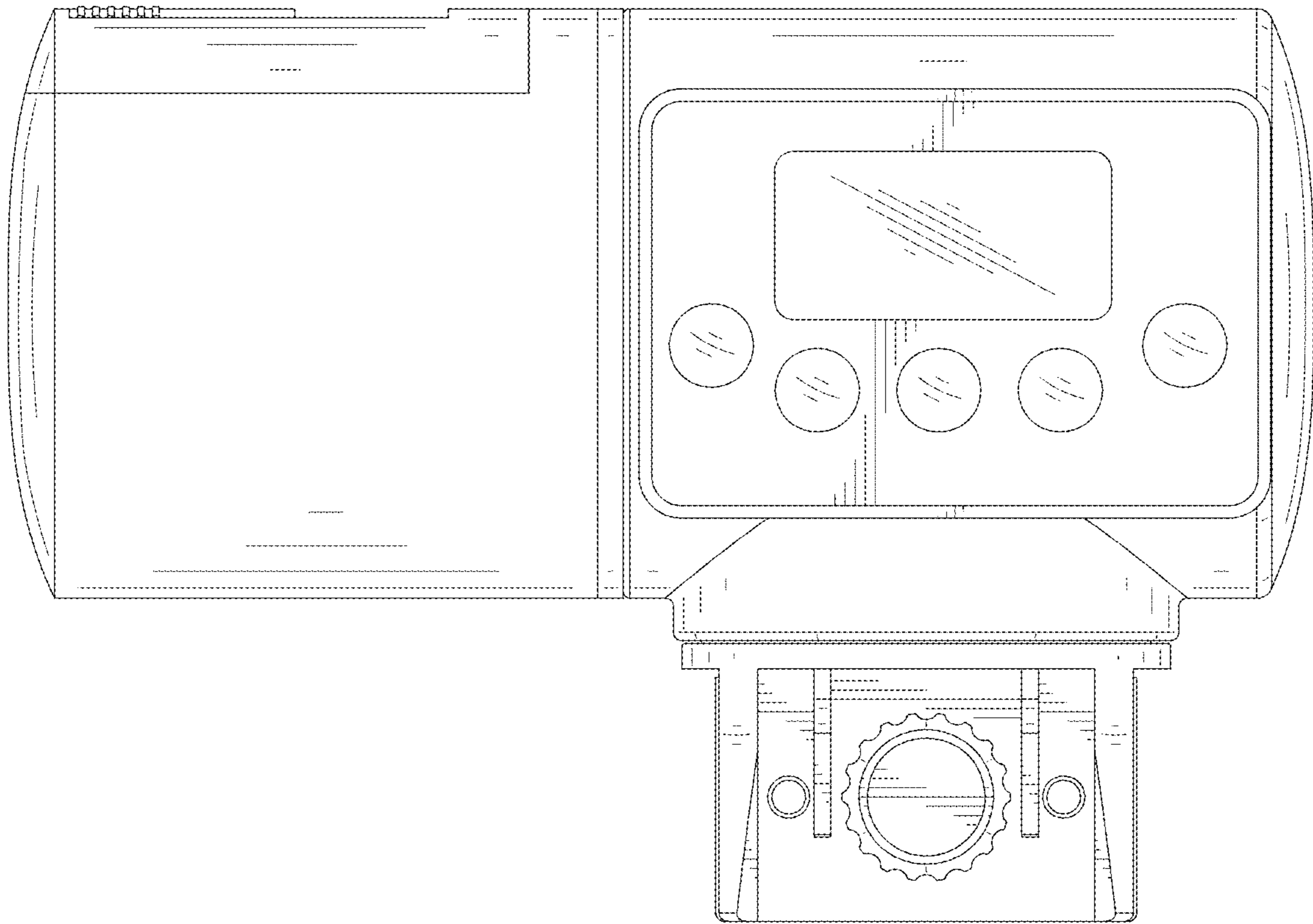


FIG.3

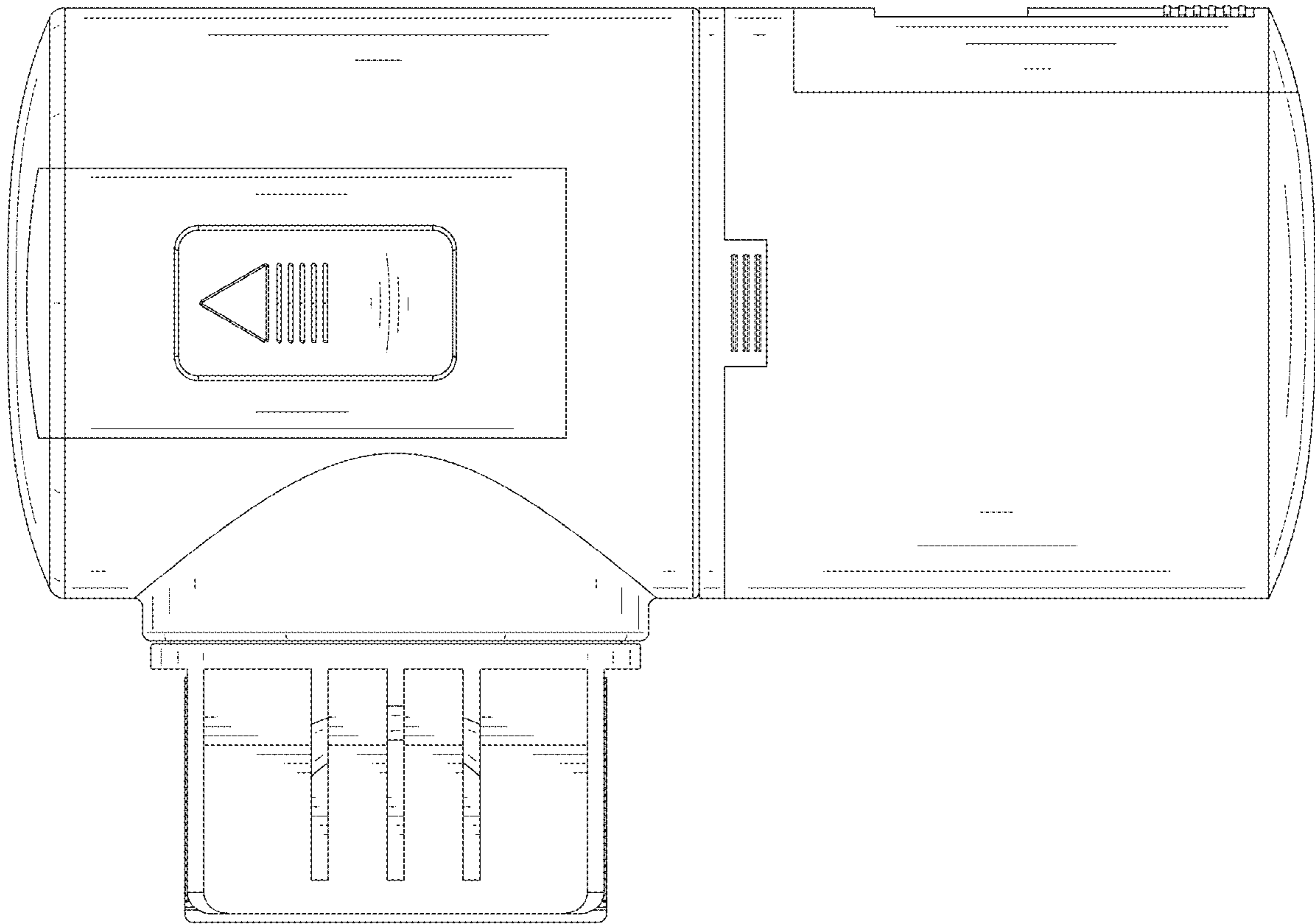


FIG.4

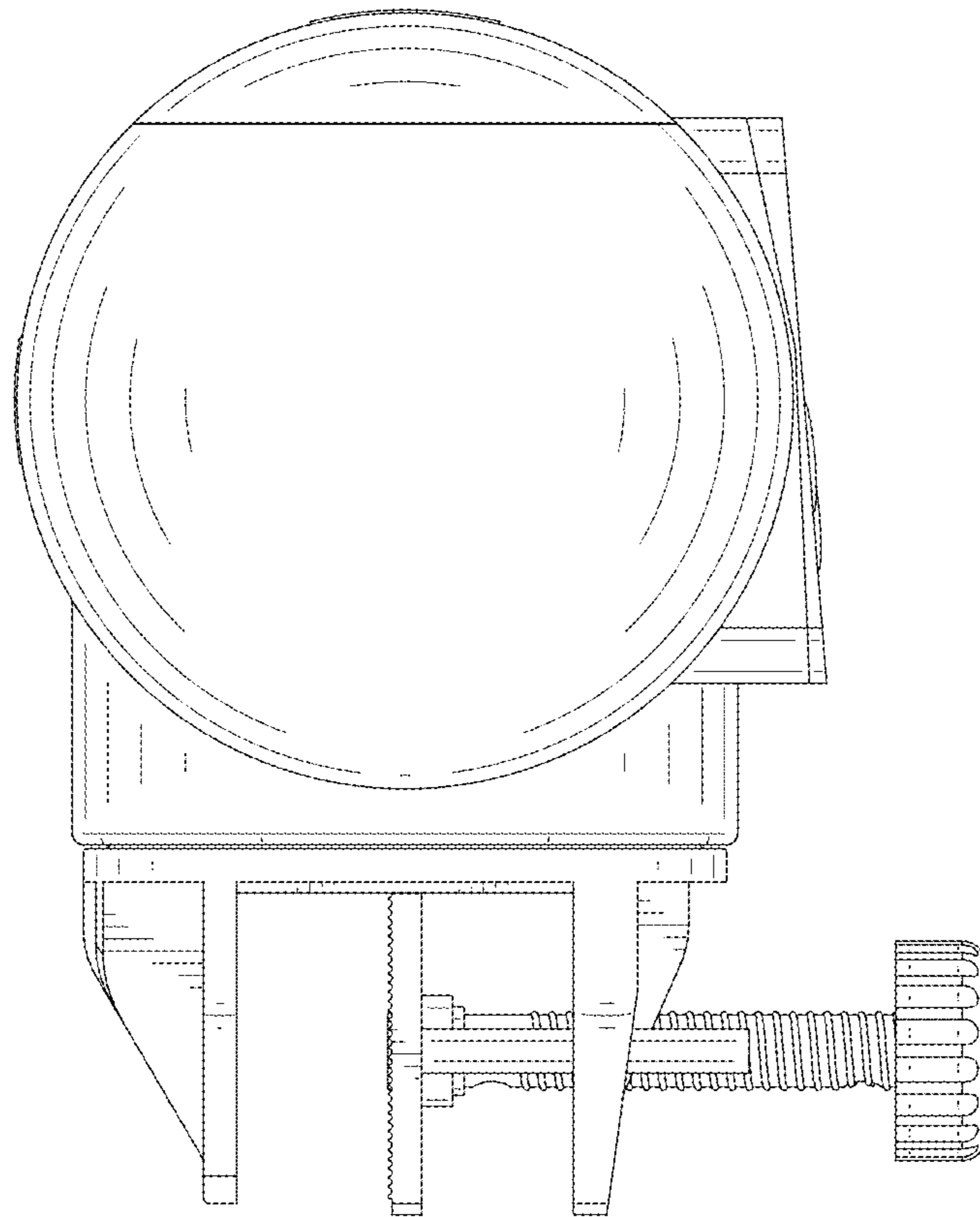


FIG.5

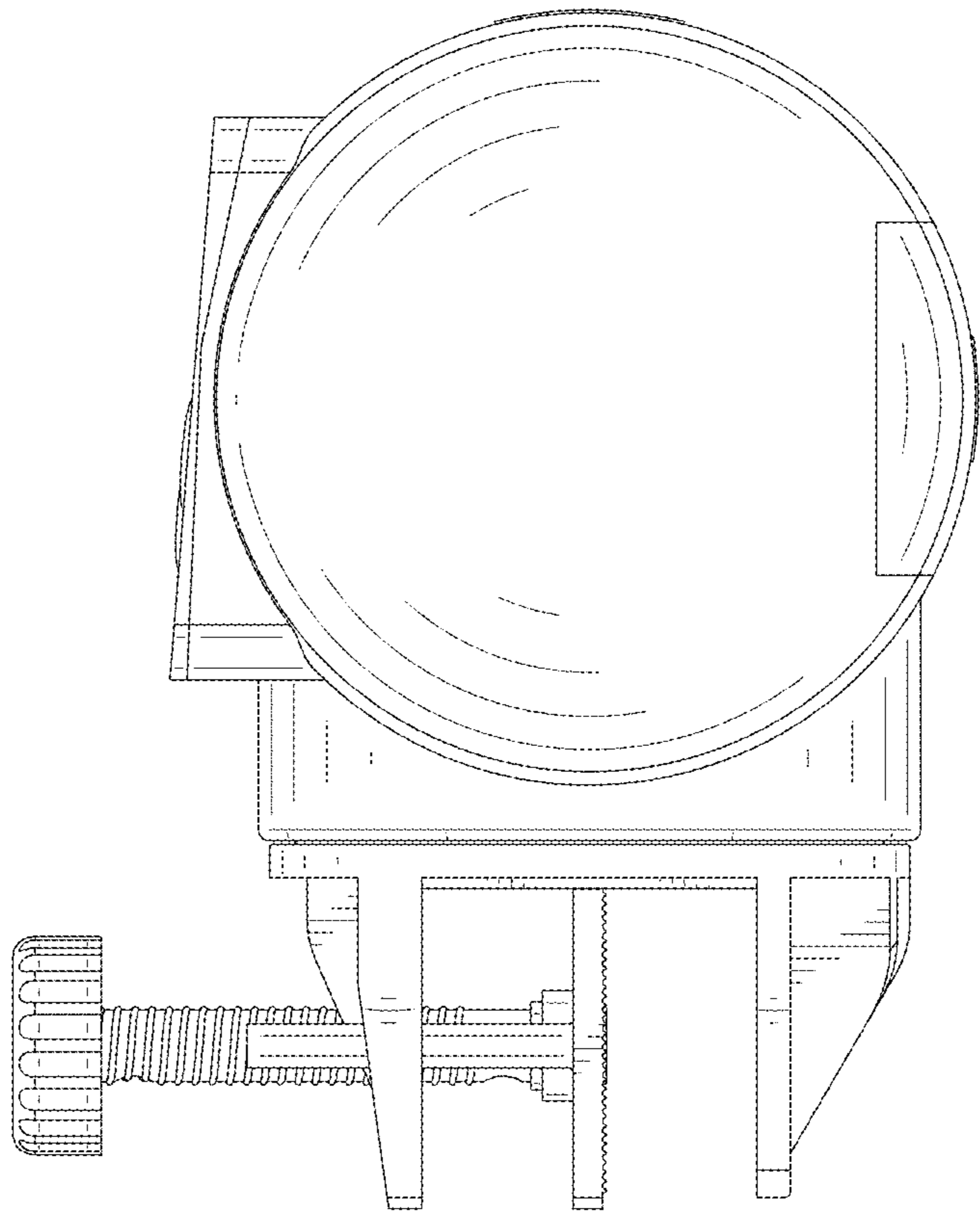


FIG.6

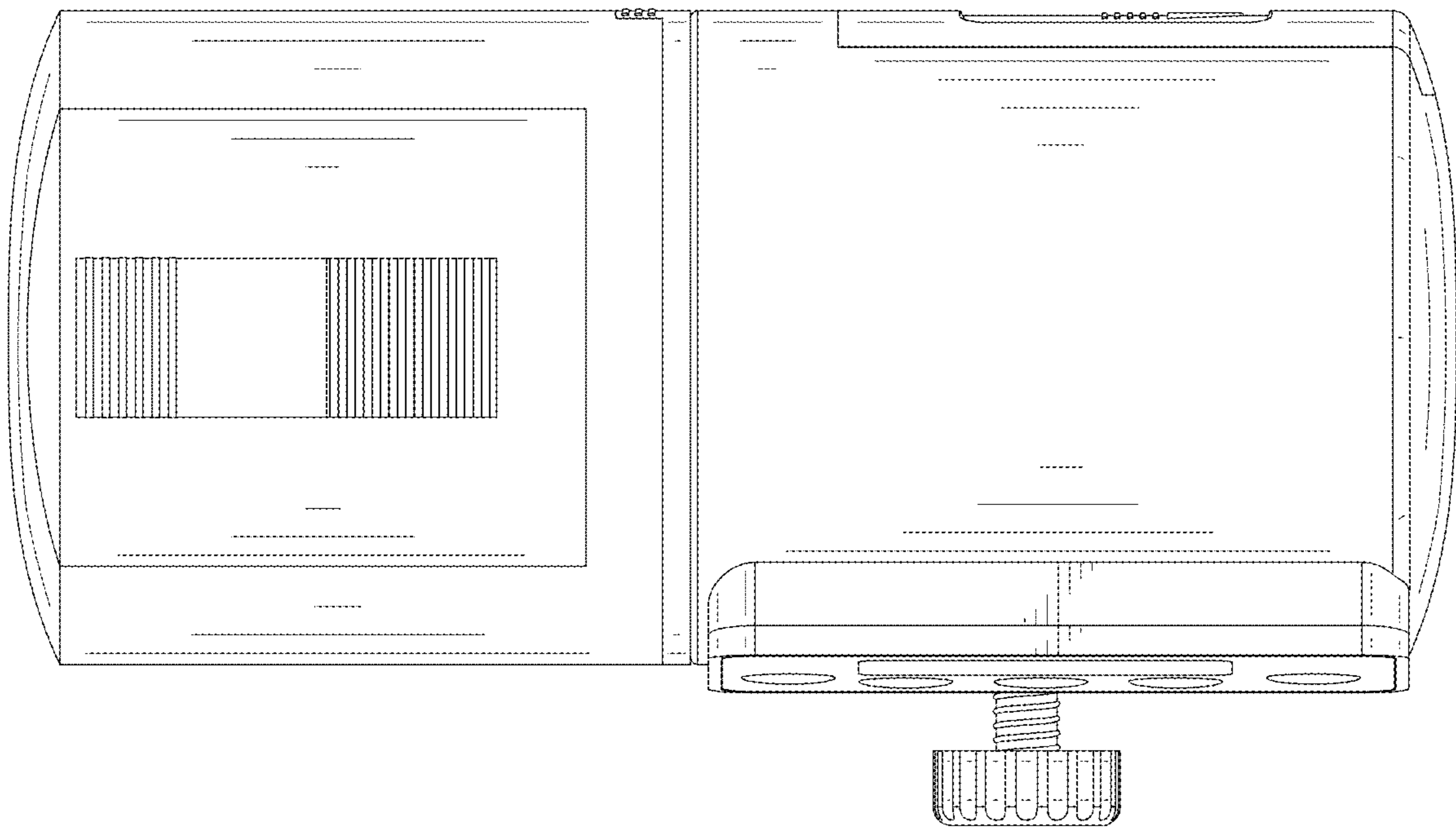


FIG.7

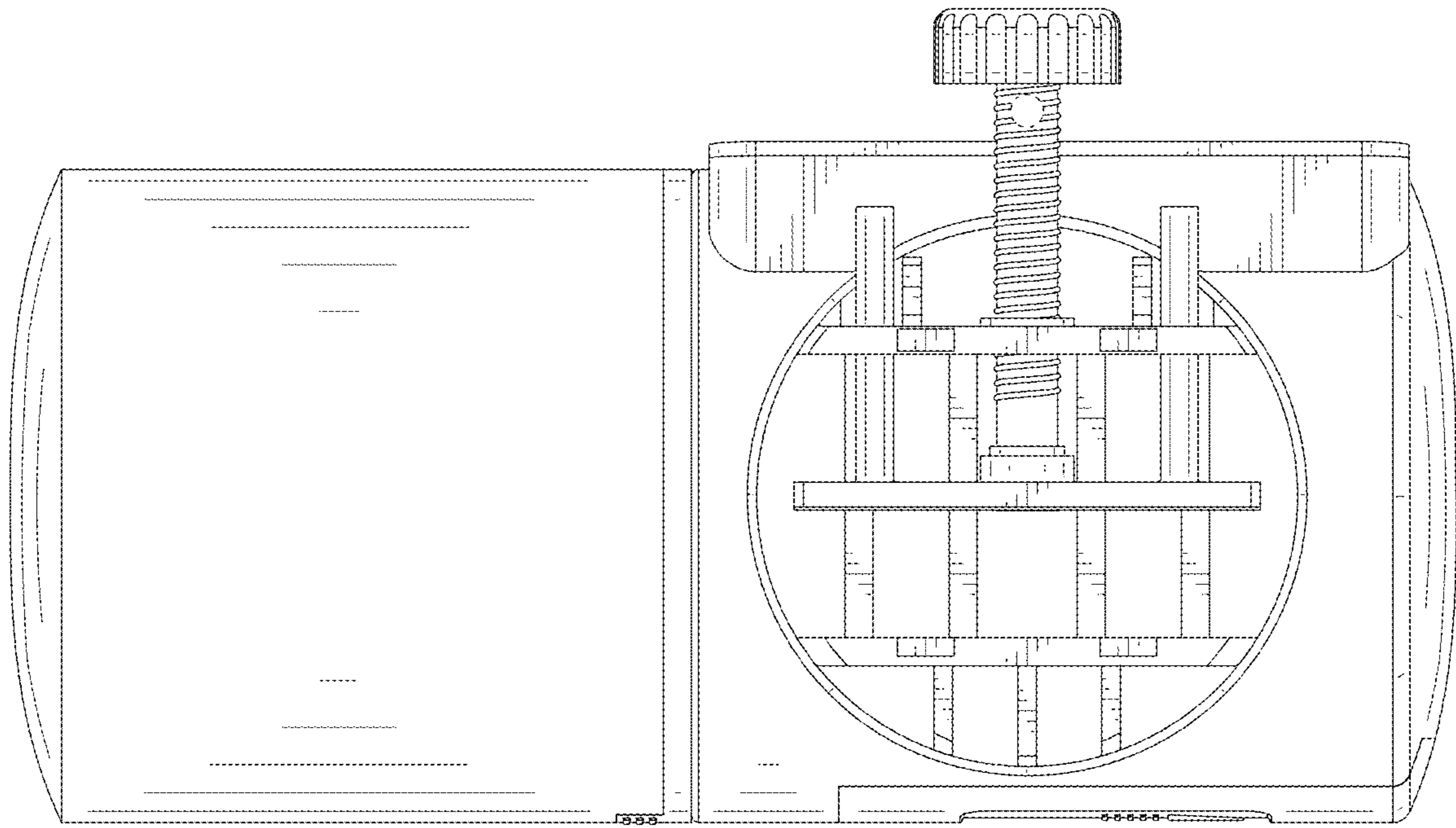


FIG.8