



US00D907302S

(12) **United States Design Patent** (10) **Patent No.:** **US D907,302 S**
Butts et al. (45) **Date of Patent:** **** Jan. 5, 2021**

- (54) **UTILITY GLOVE**
- (71) Applicant: **Big Time Products, LLC**, Rome, GA (US)
- (72) Inventors: **Mark Lee Butts**, Atlanta, GA (US); **Jing Li**, Shanghai (CN); **Christopher Matthew Weed**, Marietta, GA (US); **James Blake Fievet**, Decatur, GA (US); **Jarrod Thomas Streng**, Atlanta, GA (US)
- (73) Assignee: **BIG TIME PRODUCTS, LLC**, Rome, GA (US)
- (**) Term: **15 Years**
- (21) Appl. No.: **29/689,569**
- (22) Filed: **Apr. 30, 2019**
- (51) **LOC (13) Cl.** **02-06**
- (52) **U.S. Cl.**
USPC **D29/117.1**
- (58) **Field of Classification Search**
USPC D29/117.1; D2/617
CPC A41D 19/015
See application file for complete search history.

D880,812 S * 4/2020 Butts D2/617
D880,813 S * 4/2020 Butts D2/617
D880,814 S * 4/2020 Butts D2/617

(Continued)

OTHER PUBLICATIONS

Caterpillar Padded Palm Utility Glove, posted at amazon.com, posting date by Feb. 23, 2018, [online], [site visited May 22, 2020]. Available from Internet, URL: <https://www.amazon.com/Caterpillar-CAT012215J-Padded-Utility-Spandex/dp/B0052QOLZM?th=1> (Year: 2020).*

(Continued)

Primary Examiner — George D. Kirschbaum
Assistant Examiner — Maria J Edwards
(74) *Attorney, Agent, or Firm* — Thompson Hine LLP

(57) **CLAIM**

The ornamental design for a utility glove, as shown and described.

DESCRIPTION

FIG. 1 is a back perspective view of a utility glove showing our new design;
FIG. 2 is a front perspective view thereof;
FIG. 3 is a back elevation view thereof;
FIG. 4 is a front elevation view thereof;
FIG. 5 is a right side elevation view thereof;
FIG. 6 is a left side elevation view thereof;
FIG. 7 is a top plan view thereof; and,
FIG. 8 is a bottom view thereof.

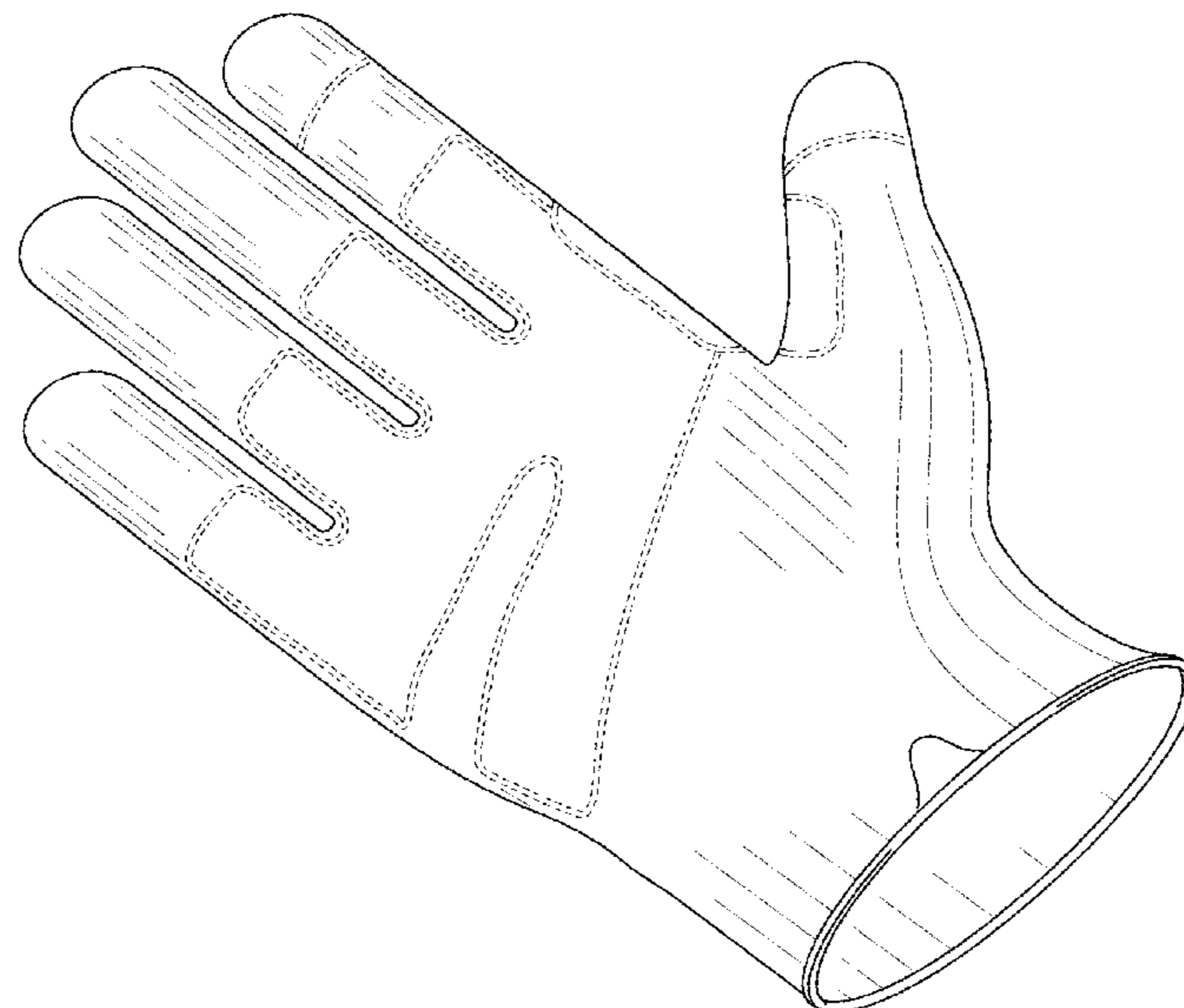
While a right-handed glove is shown and claimed, the right-handed glove is typically sold with a left-handed glove having a design that is a mirror image of the right handed glove.

The dash-dot-dash lines shown in the figures illustrate portions of the utility glove that form no part of the claimed design.

The dash-dash broken lines shown in the figures represent stitching and form part of the claimed design.

1 Claim, 7 Drawing Sheets

- (56) **References Cited**
U.S. PATENT DOCUMENTS
- | | | | | |
|--------------|---------|----------|-------|-----------|
| D319,900 S * | 9/1991 | Steele | | D29/117.1 |
| D468,074 S | 1/2003 | Votel | | |
| D514,771 S | 2/2006 | Jaeger | | |
| D515,782 S | 2/2006 | Mattesky | | |
| D651,359 S | 12/2011 | Bulan | | |
| D656,684 S * | 3/2012 | Carroll | | D29/117.1 |
| D742,600 S * | 11/2015 | Mathews | | D2/619 |
| D779,781 S | 2/2017 | Votel | | |
| D824,640 S | 8/2018 | Votel | | |
| D844,903 S | 4/2019 | Iacono | | |
| D880,811 S * | 4/2020 | Butts | | D2/617 |



(56)

References Cited

U.S. PATENT DOCUMENTS

D880,815 S * 4/2020 Butts D2/618
 2006/0212990 A1 9/2006 Mattesky
 2014/0059739 A1* 3/2014 Gellis A41D 19/01547
 2/168

OTHER PUBLICATIONS

Big time products XL Grip Pigskin Gloves, posted at amazon.com, posting date not given, [online], [site visited Dec. 12, 2019]. Available from Internet, URL: <https://www.amazon.com/big-time-products-llc-99518-23/dp/B07JZ4Q4WN> (Year: 2019).

Digz Women's Medium Fabric Gardener Touchscreen Gloves, posted at amazon.com, posting date Jan. 25, 2018, [online], [site visited Dec. 12, 2019]. Available from Internet, URL: <https://www.amazon.com/Wonnens-Medium-Fabric-Gardener-Touchscreen/dp/B0799PLDW8> (Year: 2018).

Firm Grip Extreme X-Large Gloves, posted at amazon.com, posting date Sep. 18, 2014, [online], [site visited Dec. 12, 2019]. Available

from Internet, URL: <https://www.amazon.com/Firm-Grip-Extreme-X-Large-Gloves/dp/B00NOXQ10G> (Year: 2014).

Thumb Saddle, <https://www.homedepot.com/p/Firm-Grip-Utility-Large-Multi-Color-Synthetic-Leather-Glove-3-Pack-33102-96/306085589>, Aug. 22, 2018.

Thumb Saddle, <https://www.homedepot.com/p/Husky-Large-Hi-Dex-Leather-Glove-HK86007-L/300984902>, May 17, 2017.

Chamfered Strap, <https://www.homedepot.com/p/Husky-Medium-Heavy-Duty-Glove-67811-06/302677959>, May 1, 2018.

Chamfered Strap, <https://www.homedepot.com/p/Husky-Large-Light-Duty-Glove-67607-06/302751269>, Jul. 4, 2018.

Chamfered Strap, <https://www.amazon.com/Vgo-Dexterity-Anti-vibration-Anti-abrasion-Touchscreen/dp/B0725QH9P1>, Sep. 24, 2017.

Chamfered Strap, https://www.amazon.com/125L-Resistant-Dexterity-Stretchable-Excellent/dp/B0002YPZL1/ref=sr_1_4?ie=UTF8&gid=1532313123&sr=8-4&keywords=work+gloves+men, Apr. 16, 2013.

Gel Pro With Index Finger Seam on Back Side, <https://www.homedepot.com/p/firm-Grip-Large-Gel-Pro-Carpenter-Work-Gloves-55232-06/300908999>, May 19, 2017.

* cited by examiner

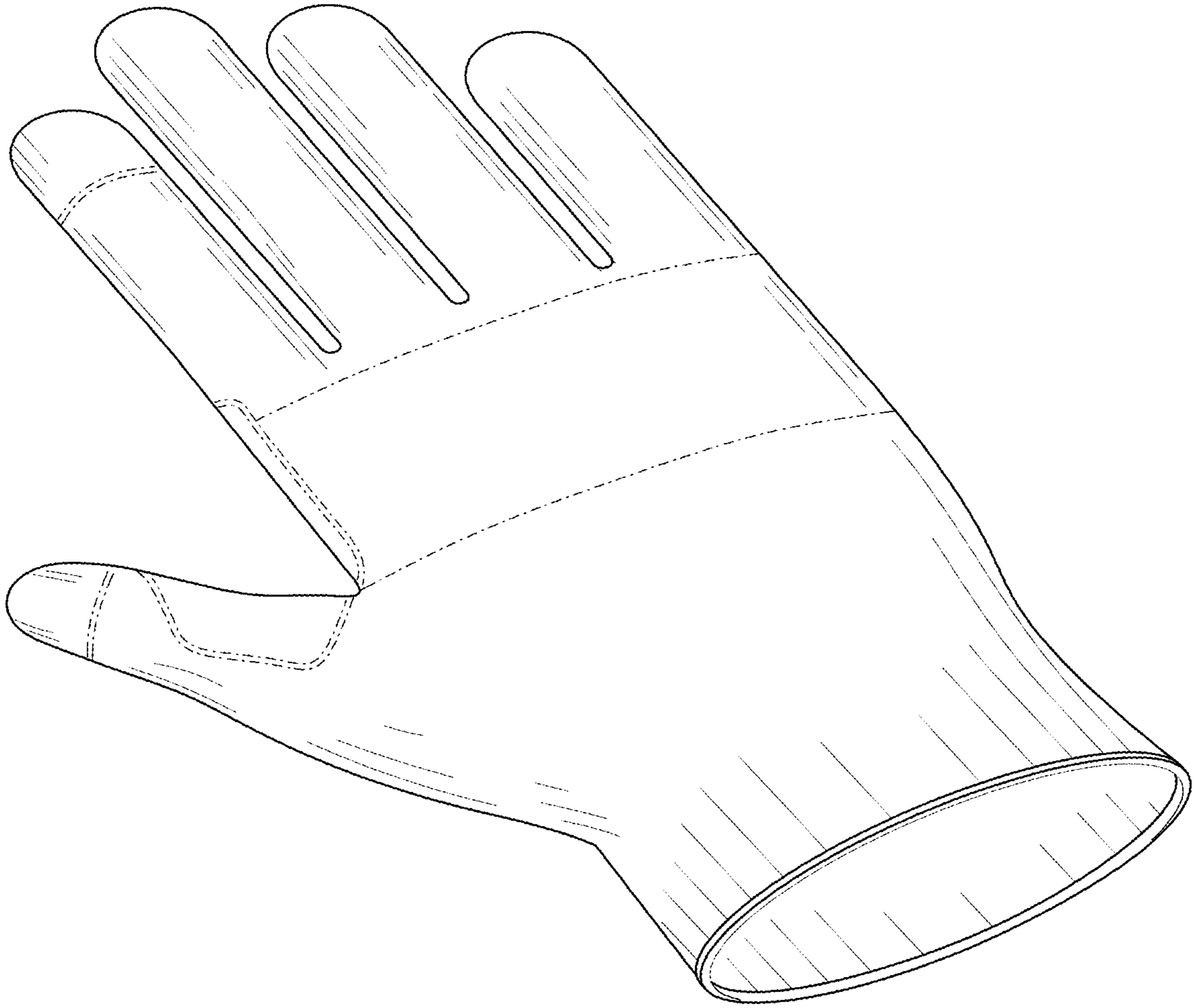


FIG. 1

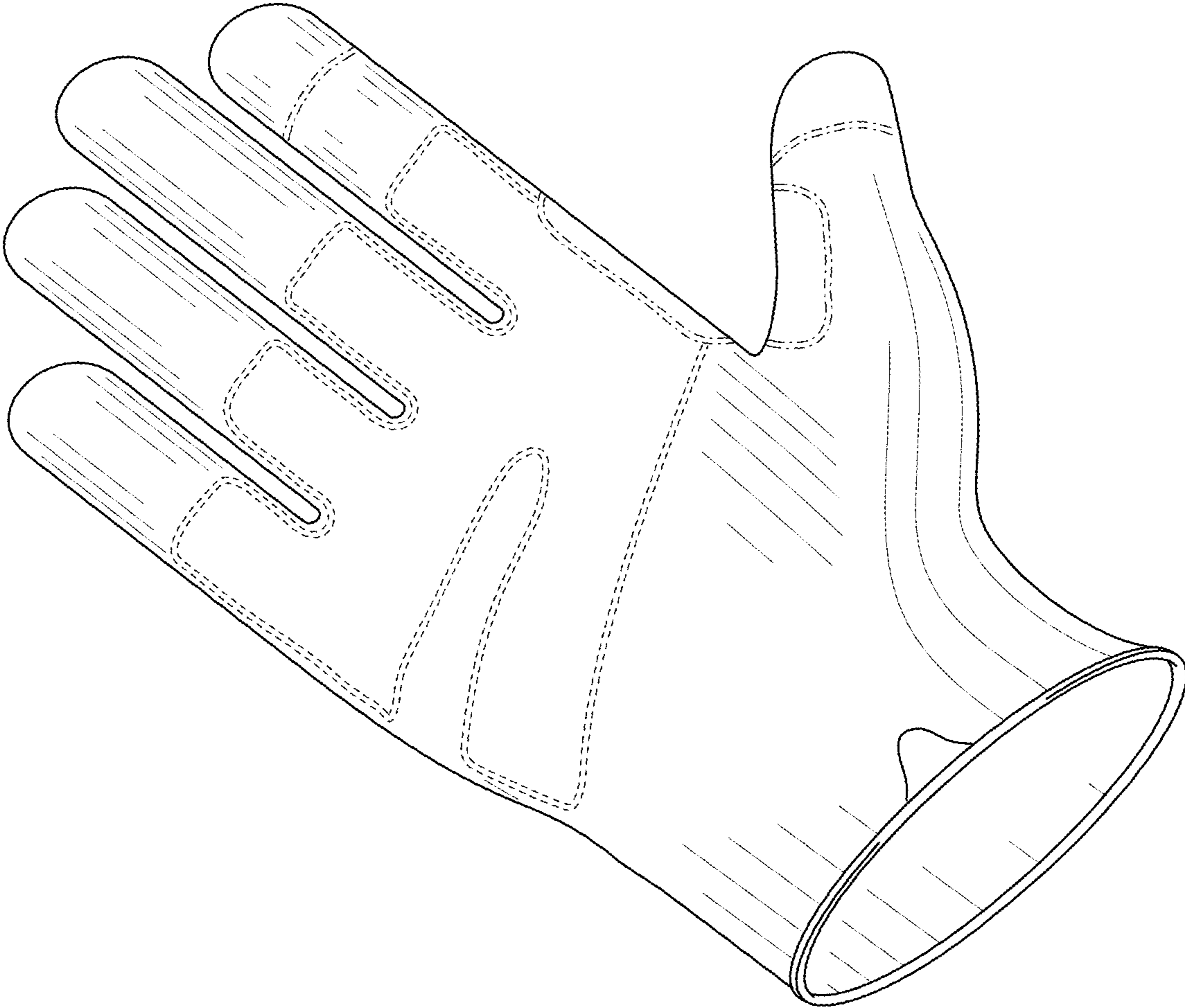


FIG. 2

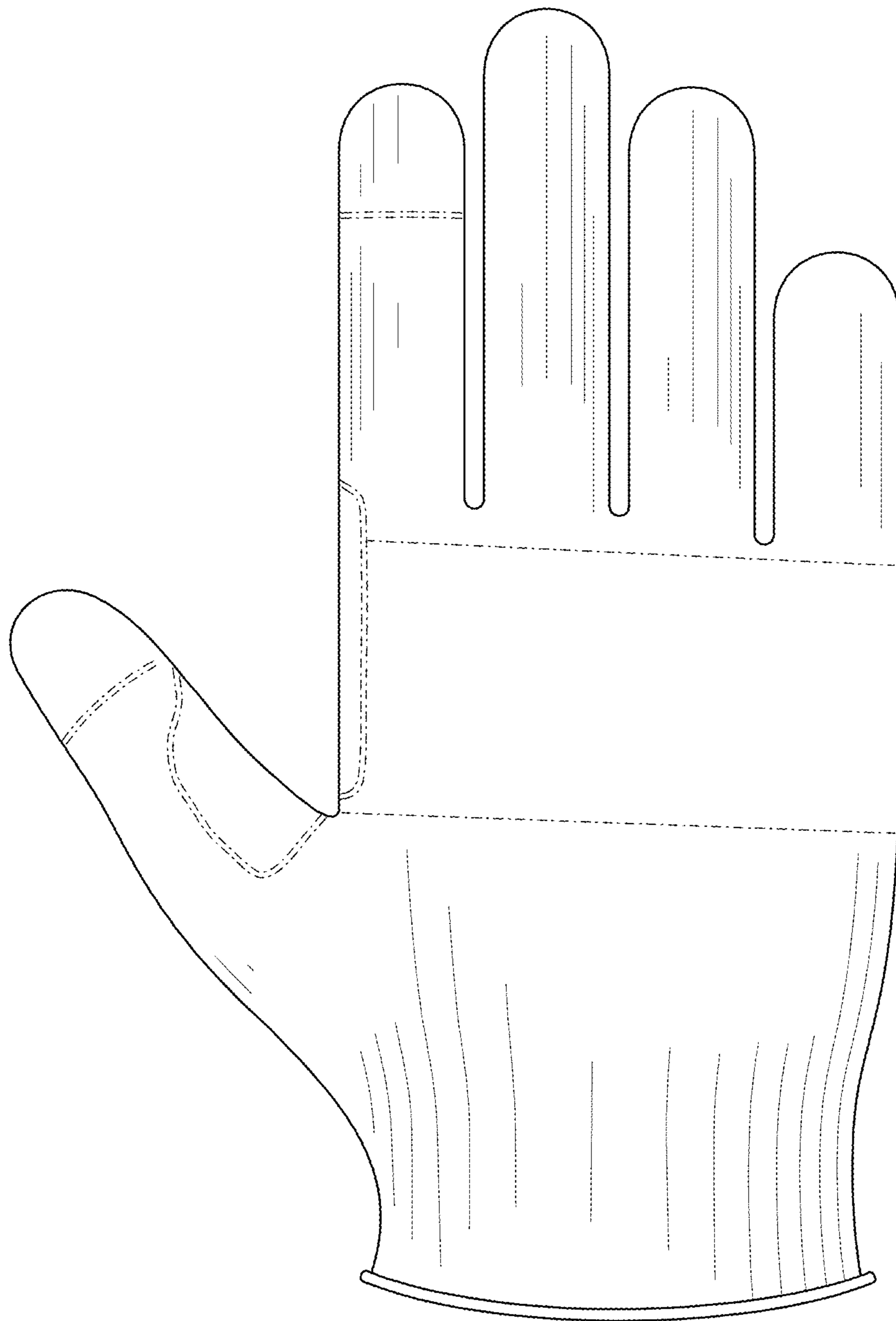


FIG. 3

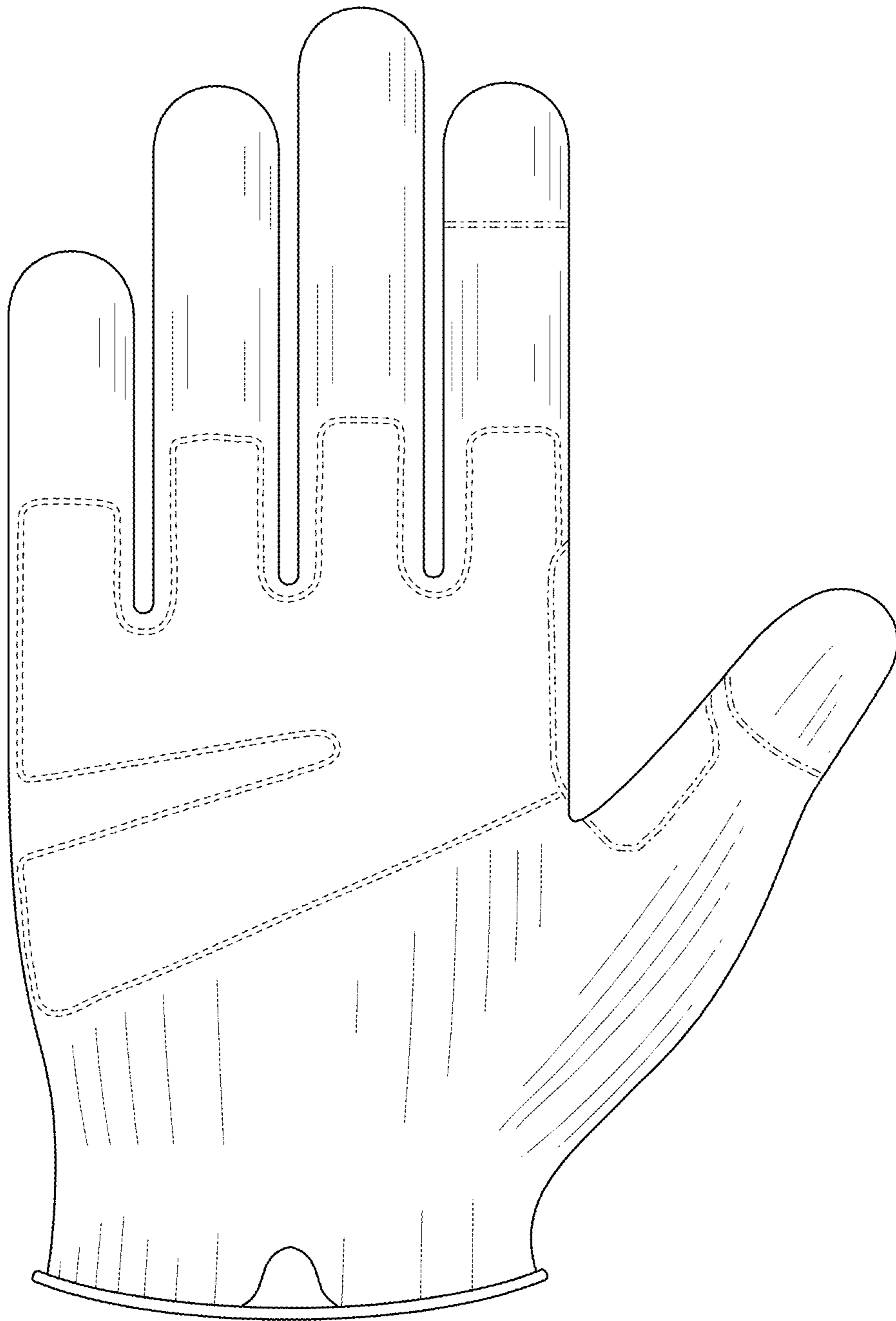


FIG. 4

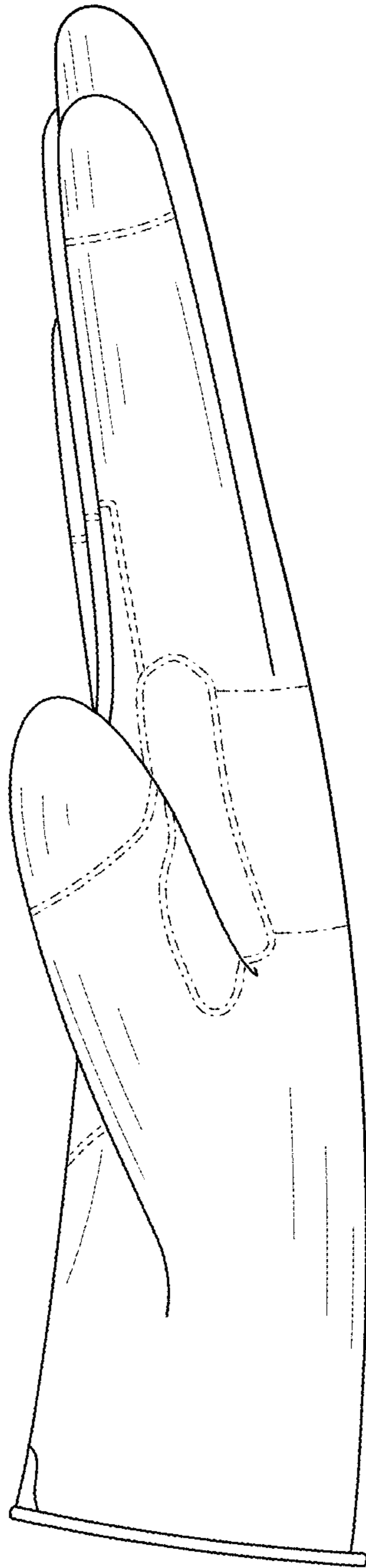


FIG. 5

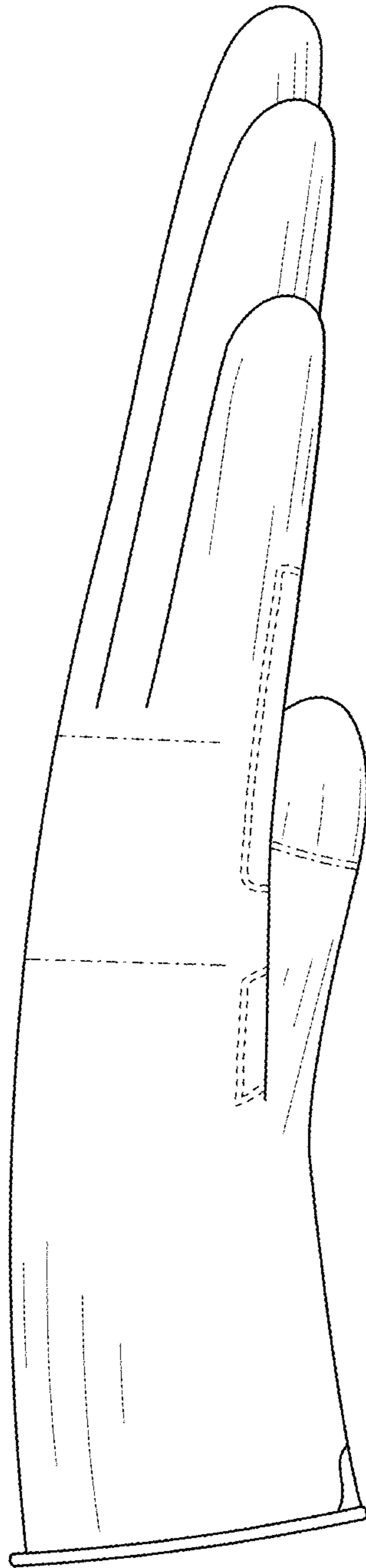


FIG. 6

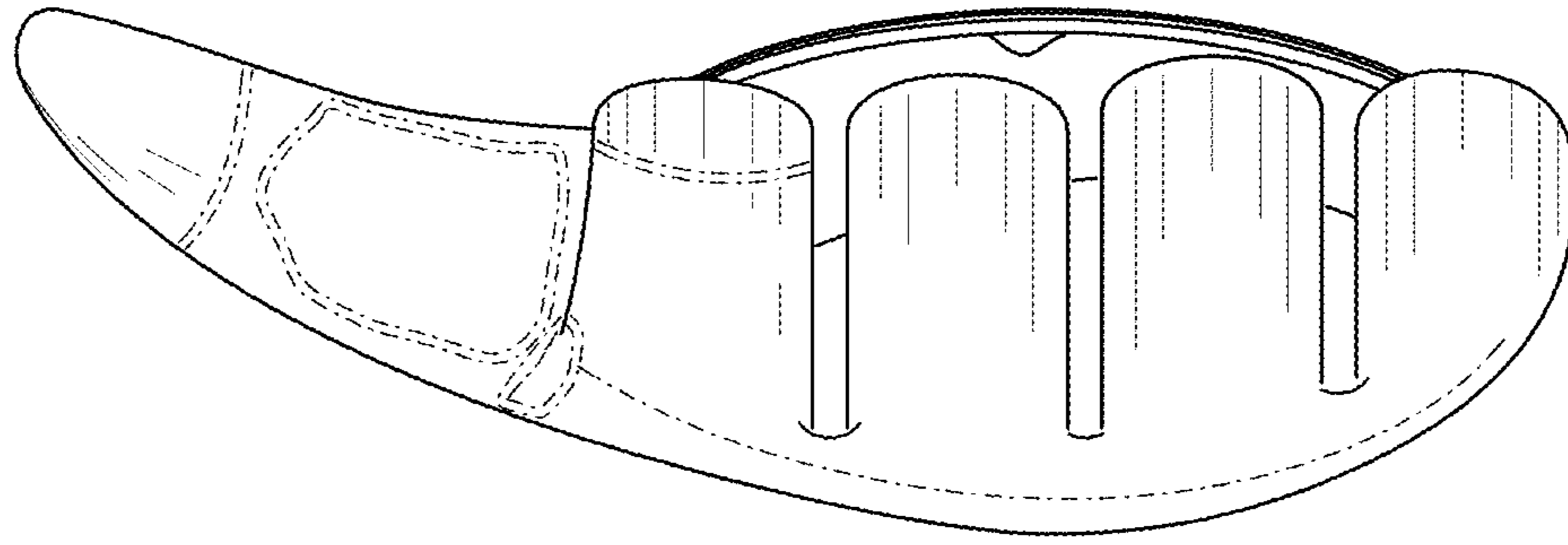


FIG. 7

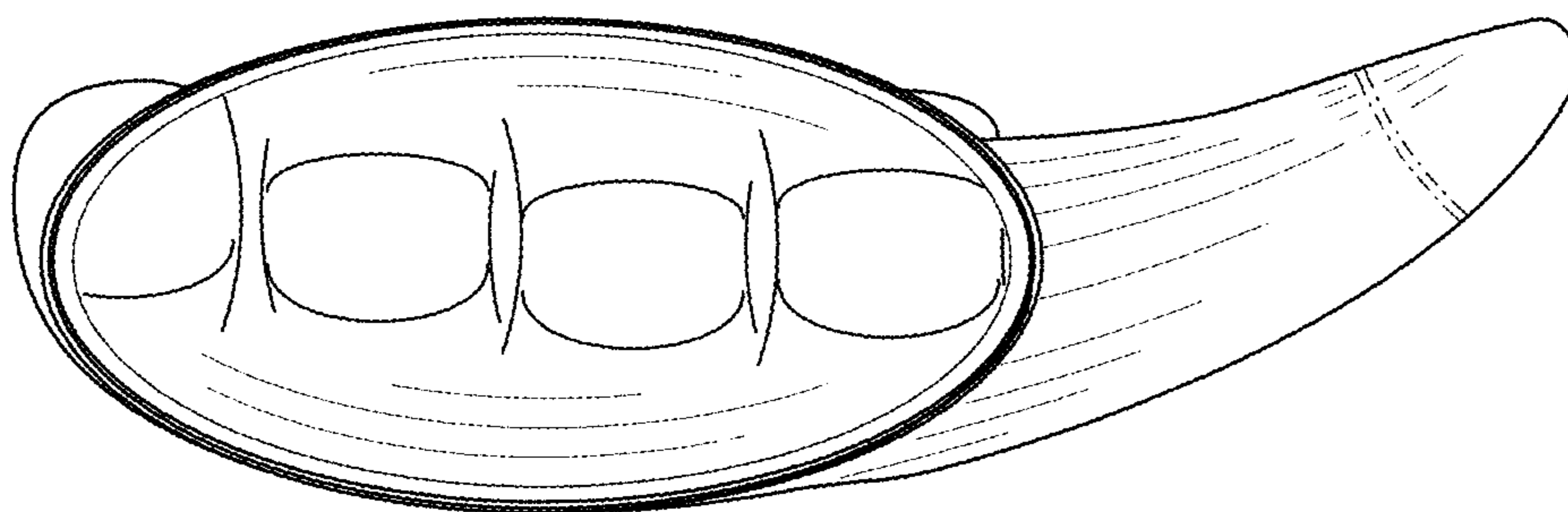


FIG. 8