



US00D907301S

(12) **United States Design Patent**  
**Zhu**

(10) **Patent No.:** **US D907,301 S**  
(45) **Date of Patent:** **\*\* Jan. 5, 2021**

(54) **BIONIC FINGER BLADE SET**

(71) Applicant: **Fuxing Zhu**, Xianning (CN)

(72) Inventor: **Fuxing Zhu**, Xianning (CN)

(\*\*) Term: **15 Years**

(21) Appl. No.: **29/741,671**

(22) Filed: **Jul. 15, 2020**

(51) **LOC (13) Cl.** ..... **02-06**

(52) **U.S. Cl.**  
USPC ..... **D29/114**

(58) **Field of Classification Search**  
USPC ..... D24/146, 147, 155; D29/114  
CPC .. A61F 2/586; A61F 2002/587; A41D 13/087  
See application file for complete search history.

(56) **References Cited**

**U.S. PATENT DOCUMENTS**

- 490,733 A \* 1/1893 Armat ..... A41D 13/087  
2/21
- 509,694 A \* 11/1893 Sindelar ..... B26B 27/007  
30/298
- 514,811 A \* 2/1894 Carder ..... B26B 27/007  
30/298

(Continued)

**OTHER PUBLICATIONS**

AliExpress.com, New silicone thumb knife vegetable picking potted trim silicone, undated online product page, retrieved Nov. 23, 2020 from <URL:https://www.aliexpress.com/i/1005001322802237.html> (Year: 2020).\*

(Continued)

*Primary Examiner* — Sheryl Lane  
*Assistant Examiner* — Calvin E Vansant

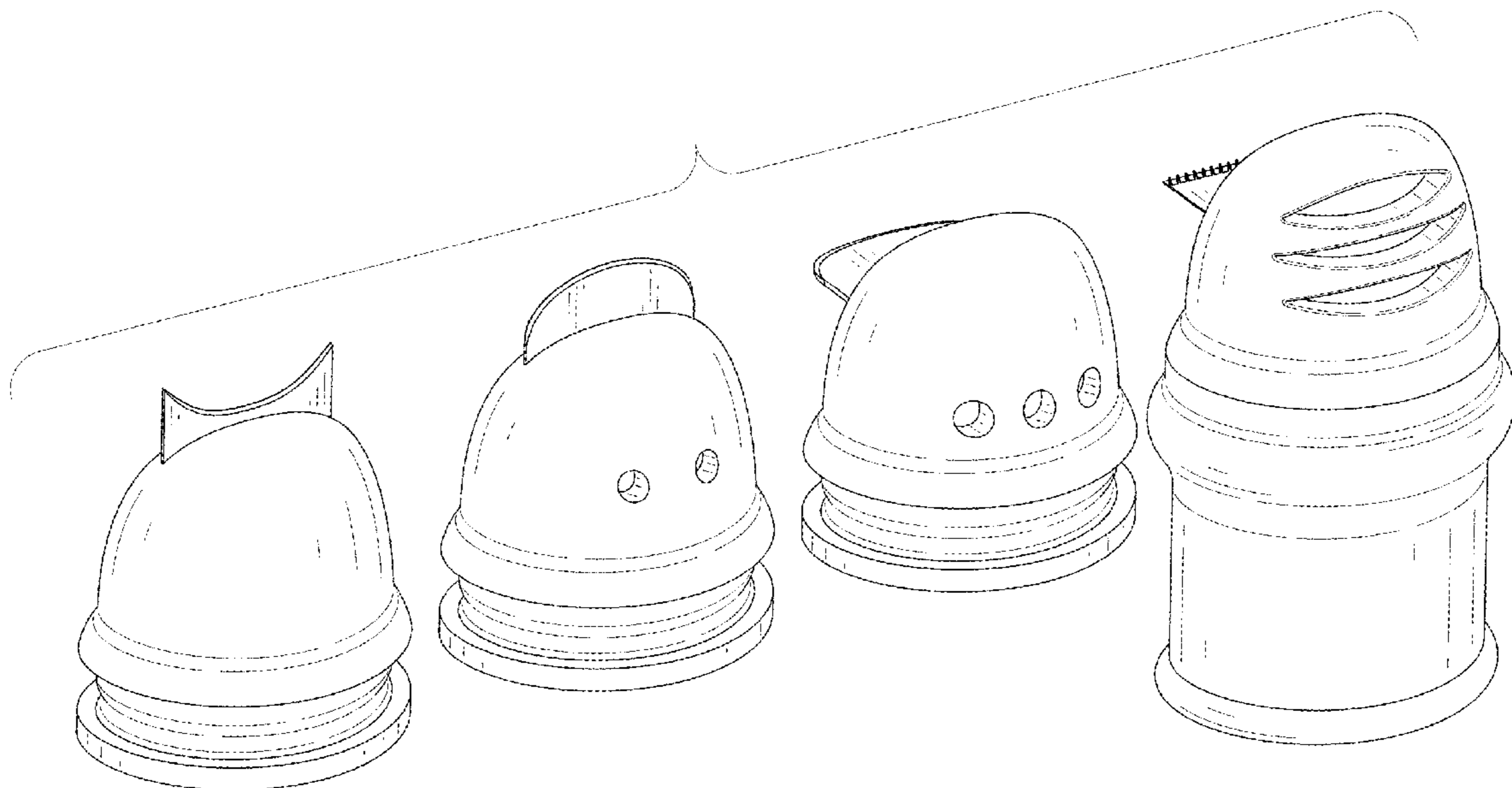
(57) **CLAIM**

The ornamental design for a bionic finger blade set, as shown and described.

**DESCRIPTION**

FIG. 1 is a perspective view of a base of a bionic finger blade set, shown separately for ease of illustration; FIG. 2 is another perspective view thereof; FIG. 3 is a front elevational view thereof; FIG. 4 is a rear elevational view thereof; FIG. 5 is a left side elevational view thereof; FIG. 6 is a right side elevational view thereof; FIG. 7 is a top plan view thereof; and FIG. 8 is a bottom plan view thereof; FIG. 9 is a perspective view of four blade heads of the bionic finger blade set, the base of the bionic finger blade set is removed for ease of illustration; FIG. 10 is another perspective view thereof; FIG. 11 is a front elevational view thereof; FIG. 12 is a rear elevational view thereof; FIG. 13 is a top plan view thereof; FIG. 14 is a bottom plan view thereof; FIG. 15 is a perspective view of the bionic finger blade set where the first blade head is connected with the base; FIG. 16 is a perspective view of the bionic finger blade set where the second blade head is connected with the base; FIG. 17 is a perspective view of the bionic finger blade set where the third blade head is connected with the base; FIG. 18 is a perspective view of the bionic finger blade set where the fourth blade head is connected with the base; FIG. 19 is an enlarged view of portion 19 shown in FIG. 9; and, FIG. 20 is an enlarged view of portion 20 shown in FIG. 13. In the drawing, the dashed broken lines depict portions of the bionic finger blade set that form no part of the claimed design. The dot-dash lines represent boundaries of the enlarged figures and form no part of the claimed design.

**1 Claim, 20 Drawing Sheets**



(56)

References Cited

U.S. PATENT DOCUMENTS

931,511 A \* 8/1909 Southworth ..... B26B 27/007  
30/298  
1,000,226 A \* 8/1911 Arwine ..... B26B 27/007  
30/298  
2,502,266 A \* 3/1950 Mateo ..... A61F 13/105  
2/21  
2,774,978 A \* 12/1956 Gribble ..... B26B 27/007  
7/121  
4,339,878 A \* 7/1982 Tozzi ..... B26B 27/007  
30/291  
D277,998 S \* 3/1985 Van Noy ..... 223/101  
5,234,142 A \* 8/1993 Loewen ..... A41D 13/087  
2/21  
5,647,063 A \* 7/1997 Bates ..... A41D 13/087  
2/21  
D459,808 S \* 7/2002 Safieh ..... D24/152  
D503,802 S \* 4/2005 Bjarnason ..... B26B 27/007  
D24/155  
D531,726 S \* 11/2006 Blanco ..... B26B 27/007  
D24/146

D537,165 S \* 2/2007 Leite ..... B26B 27/007  
D24/147  
D545,163 S 6/2007 Russell  
D605,407 S \* 12/2009 Wagner ..... A41D 13/087  
D4/103  
D770,182 S \* 11/2016 Hunter ..... D4/103  
2004/0231167 A1 \* 11/2004 Miklos ..... B26B 27/007  
30/298  
2007/0006469 A1 \* 1/2007 Williams ..... B26B 27/007  
30/298  
2013/0134197 A1 \* 5/2013 Siebert ..... B26B 27/007  
225/1  
2015/0113703 A1 \* 4/2015 Crear ..... A41D 19/01594  
2/160  
2016/0120707 A1 \* 5/2016 Ramirez ..... A41D 13/087  
2/21

OTHER PUBLICATIONS

Youtube.com, Eastwood Specialty Dies for Motorized Bead Roller—  
Hem edge, bead tubing, tip edges, Jan. 2020, online product  
demonstration, retrieved Nov. 23, 2020 from <URL:https://www.  
youtube.com/watch?v=f9kLMVuxqOM> (Year: 2020).\*

\* cited by examiner

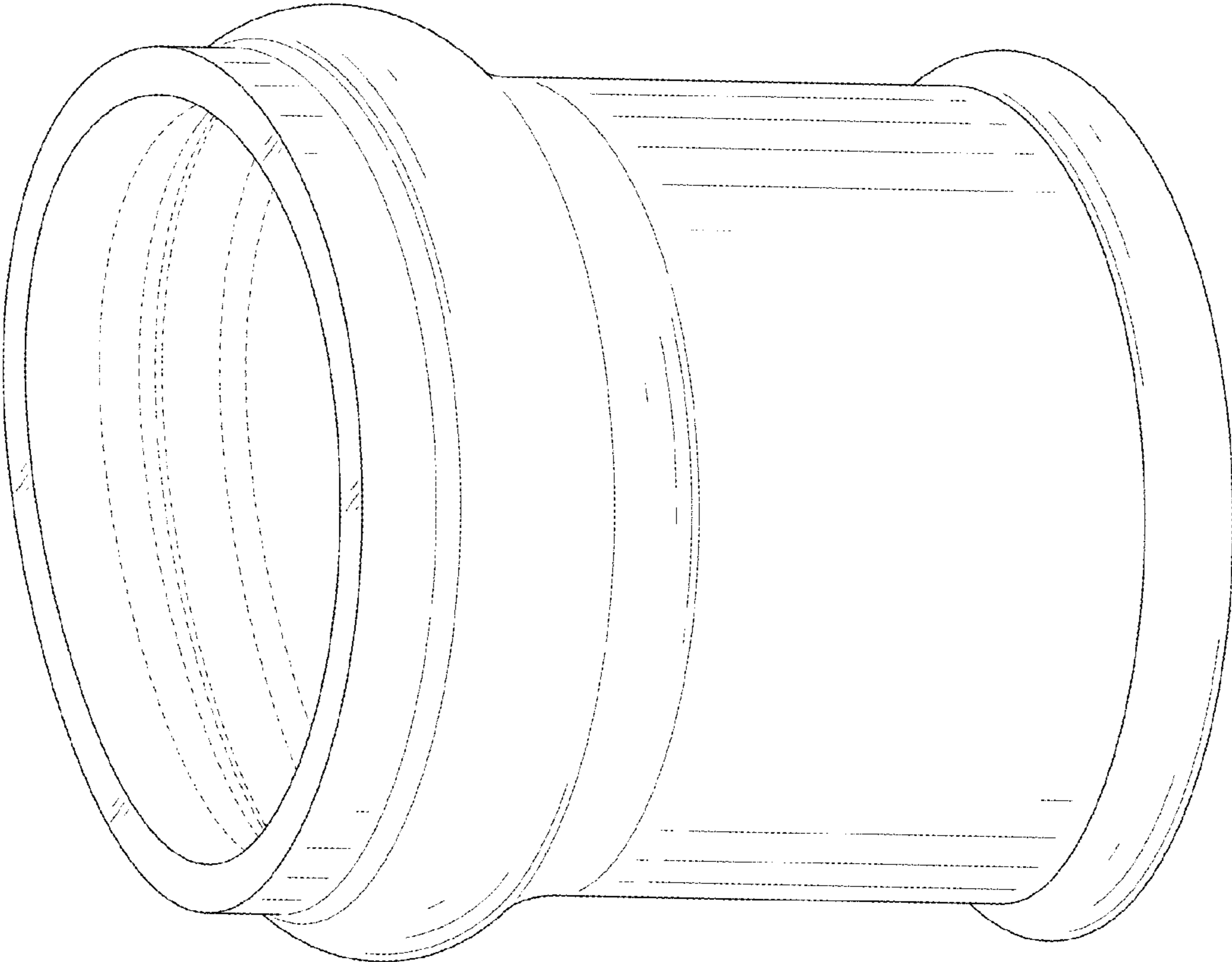


FIG. 1

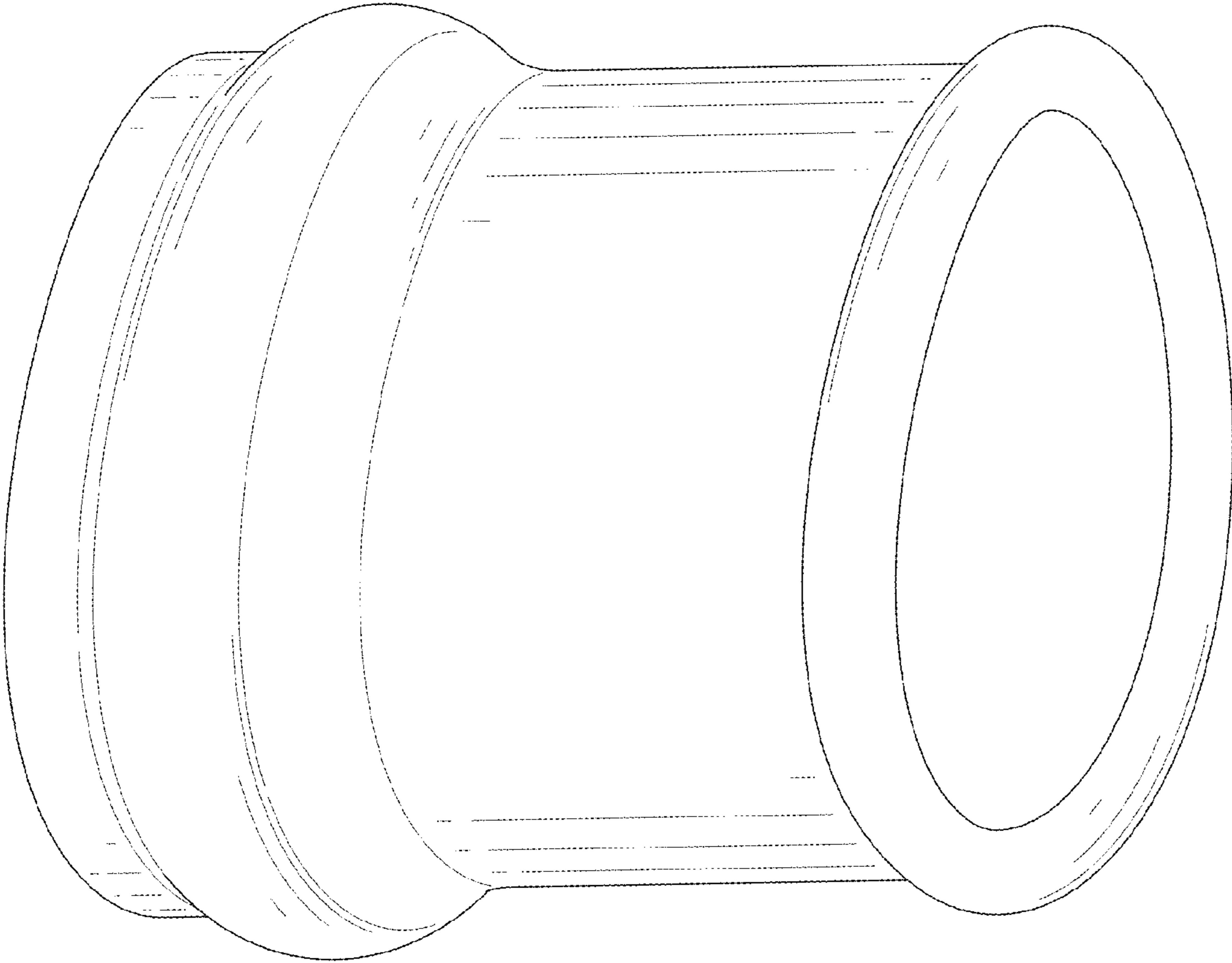


FIG. 2

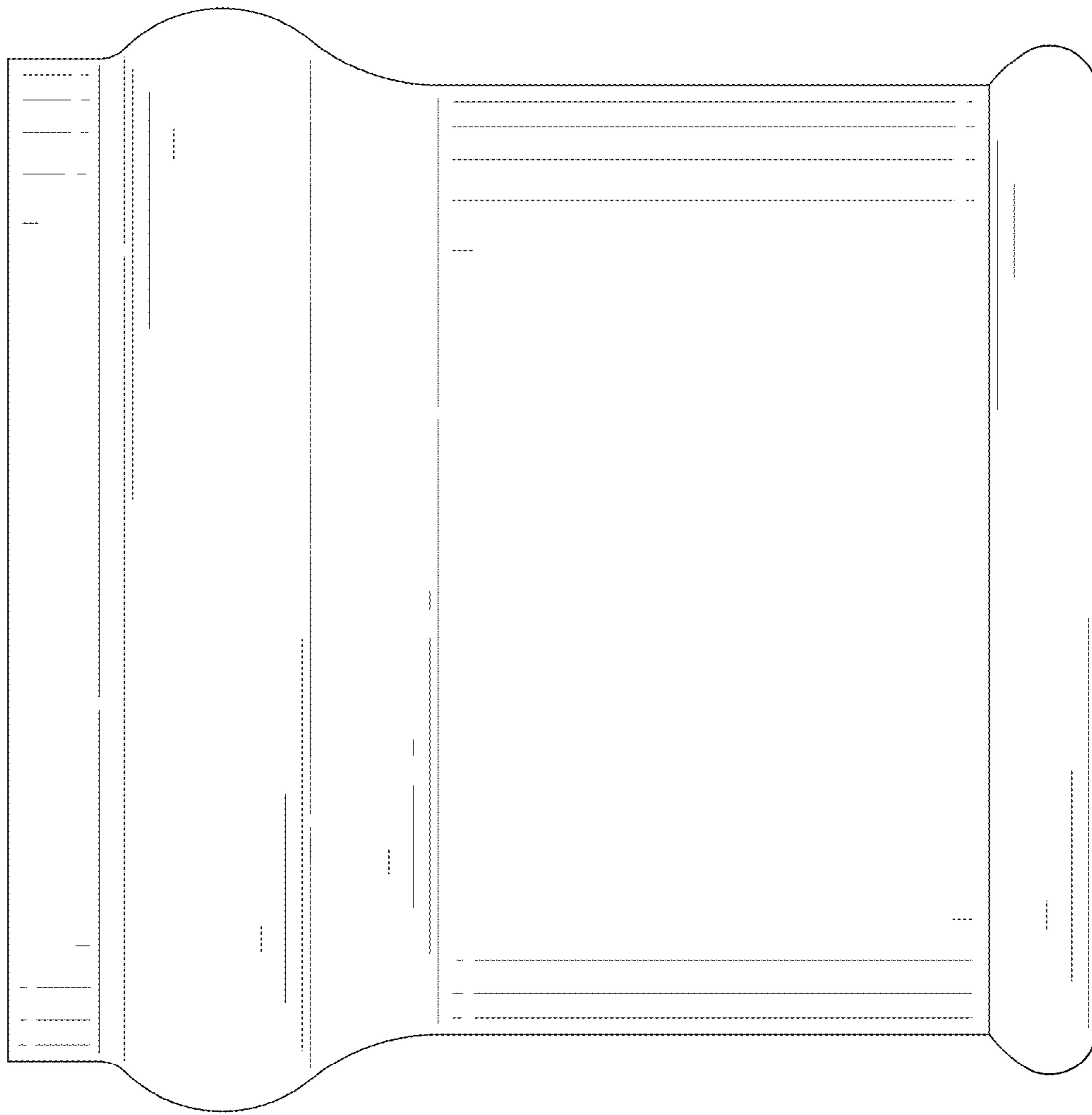


FIG. 3



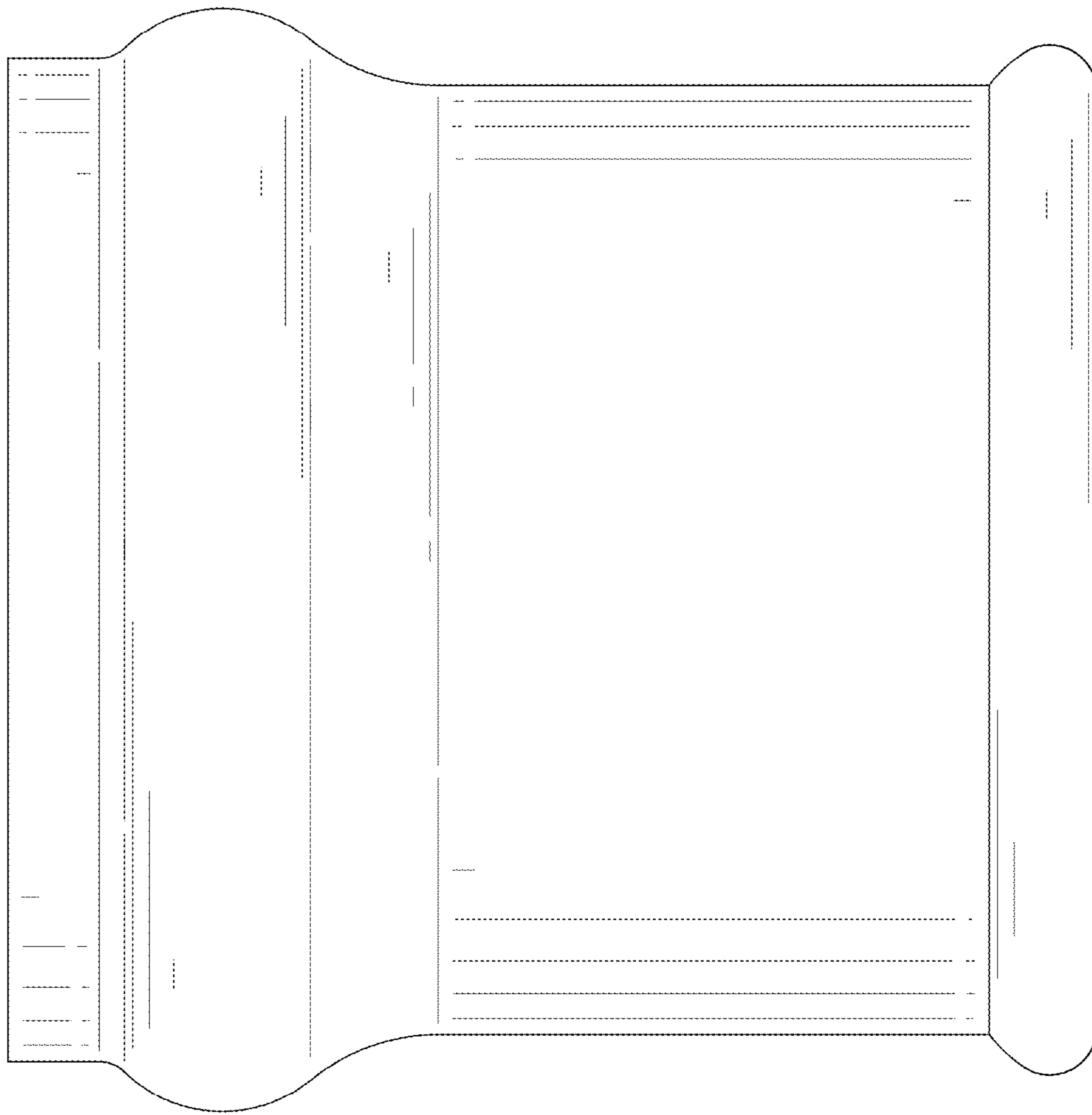


FIG. 4

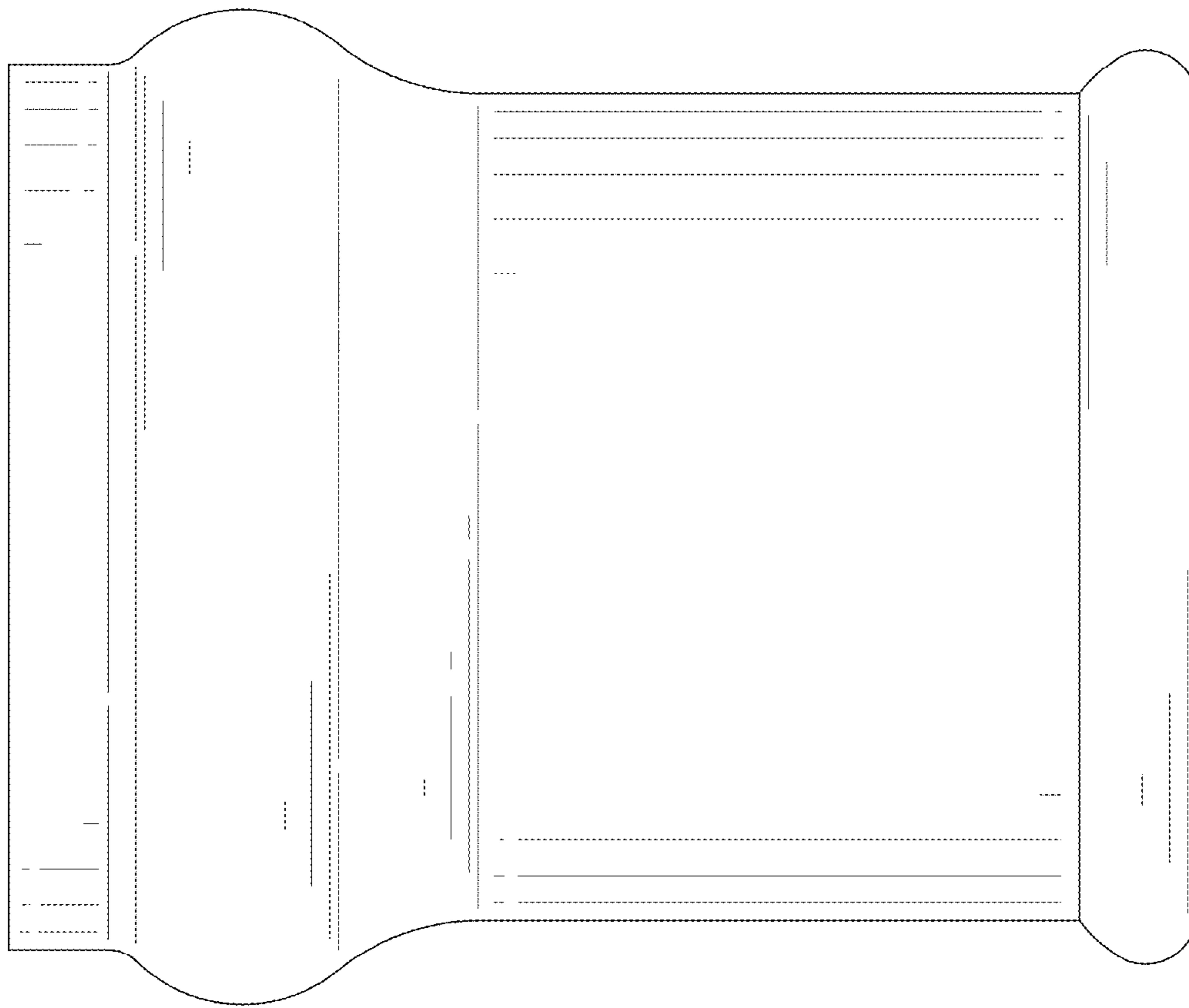


FIG. 5

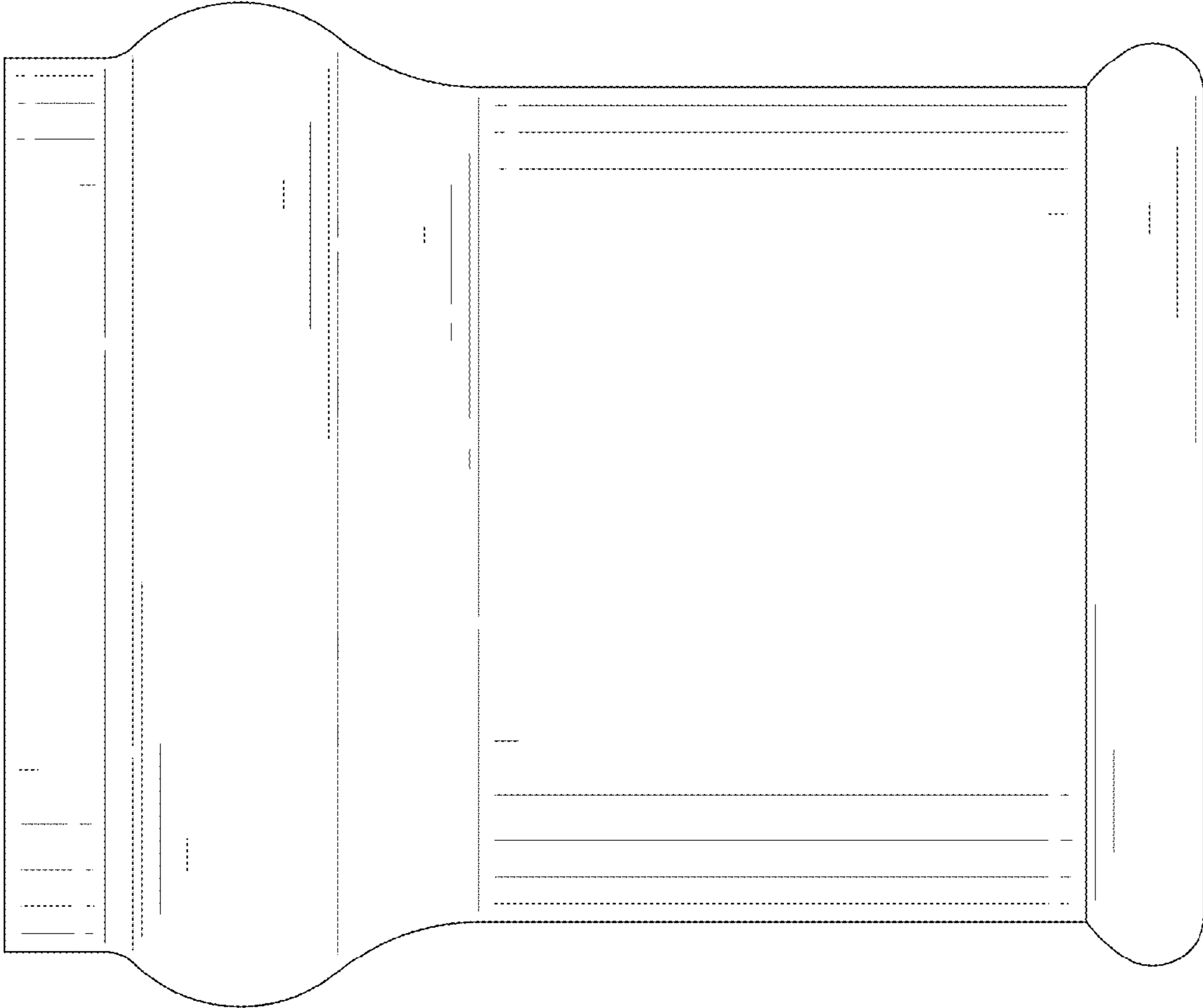


FIG. 6



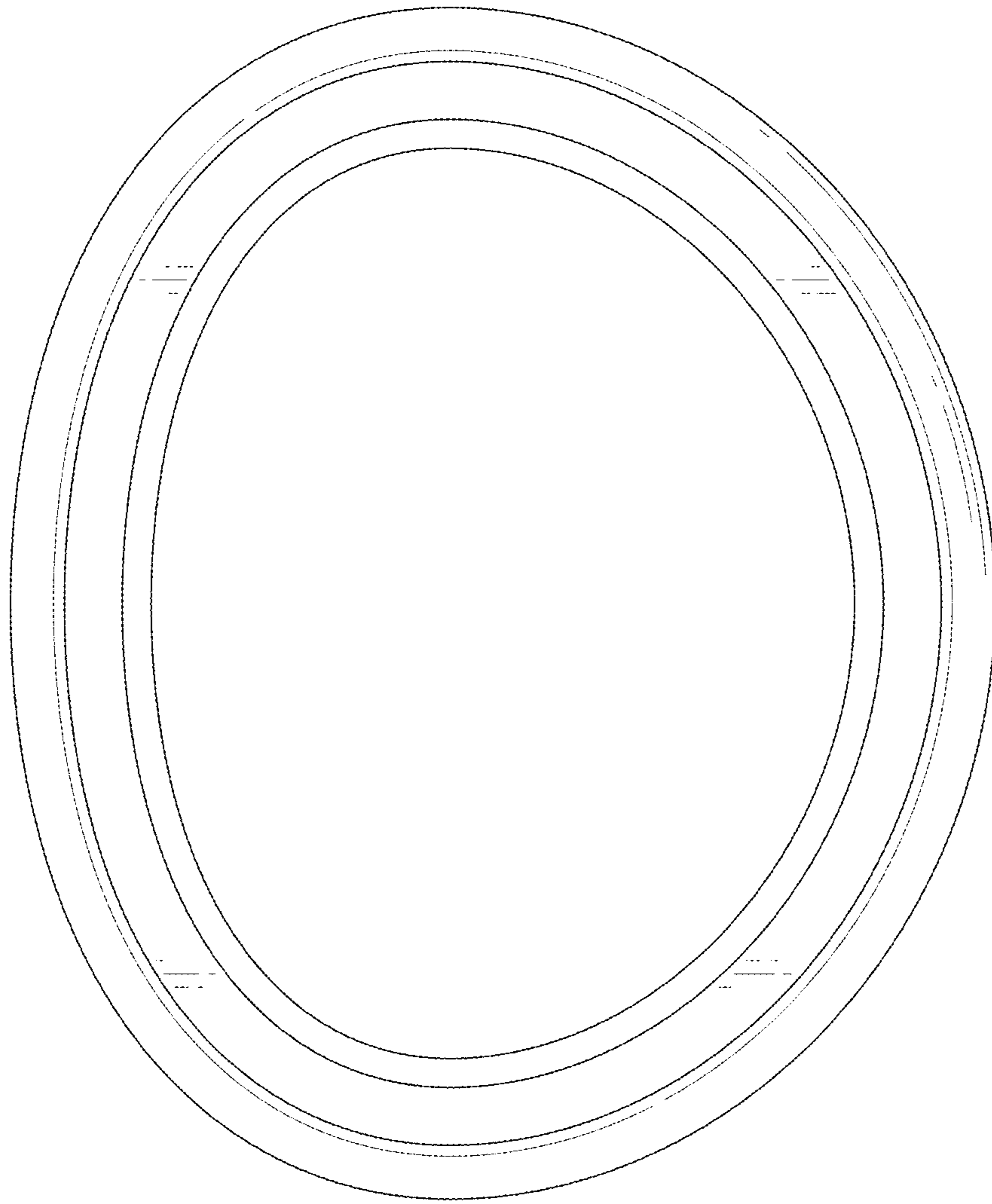


FIG. 7

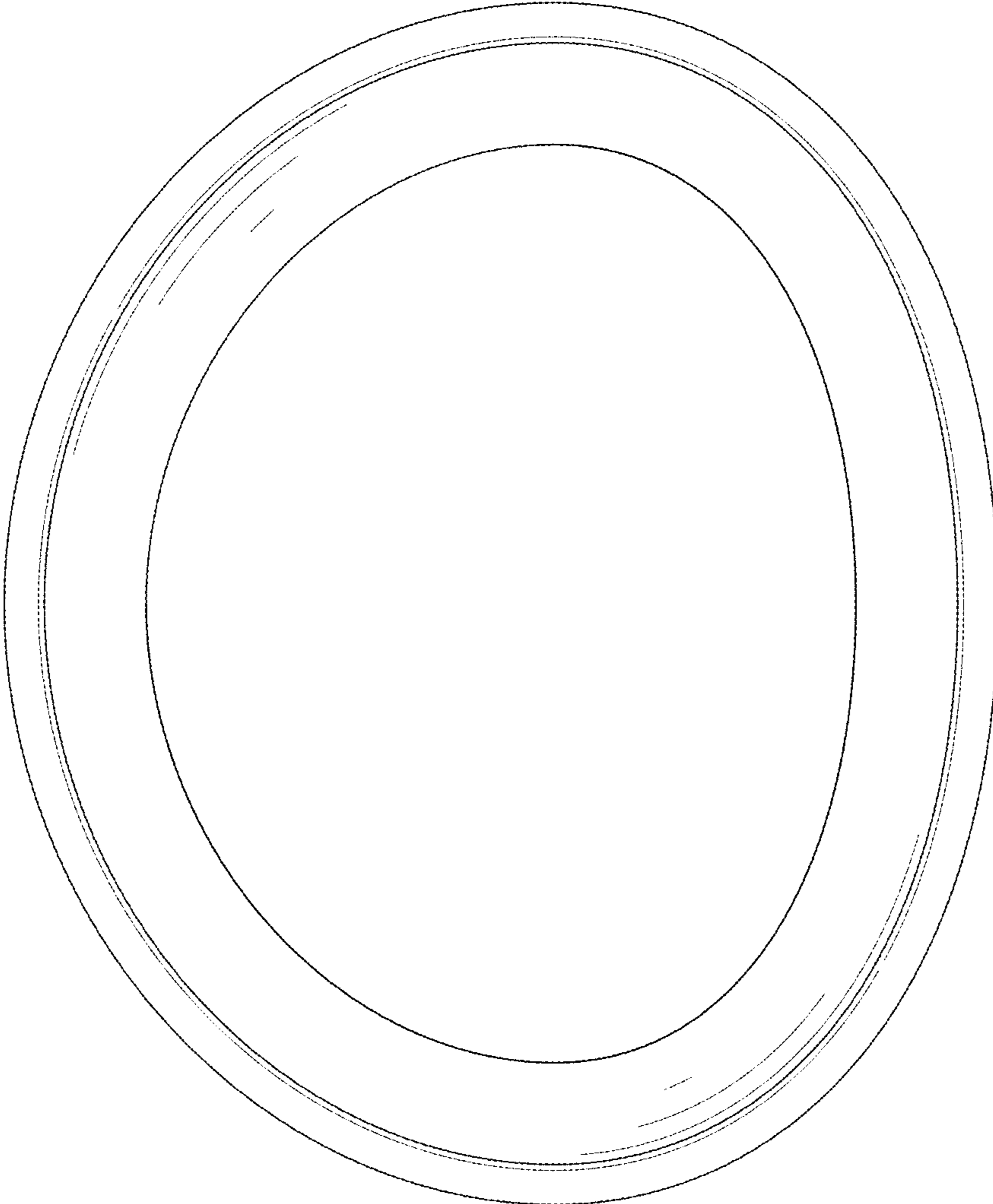


FIG. 8

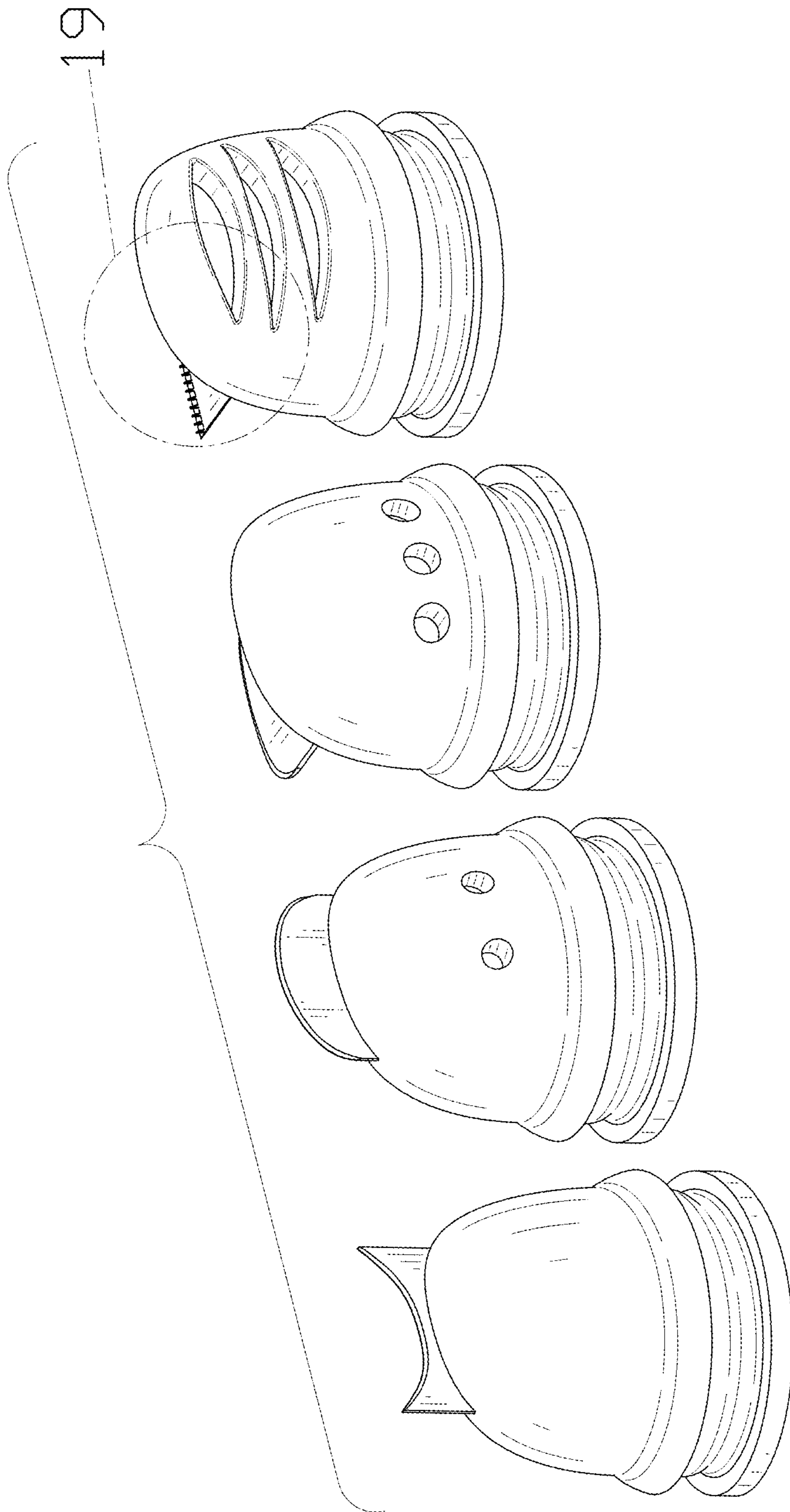


FIG. 9

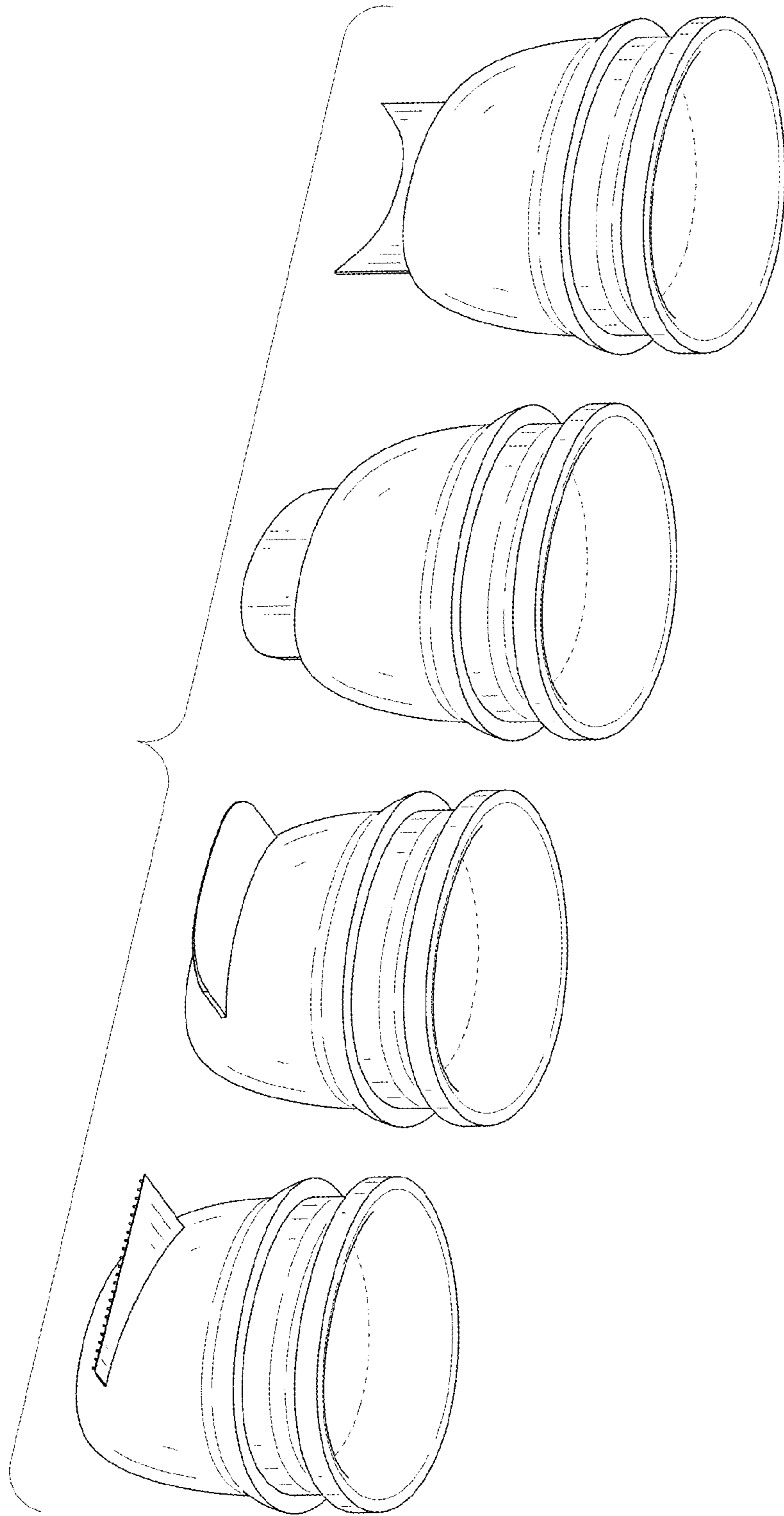


FIG. 10

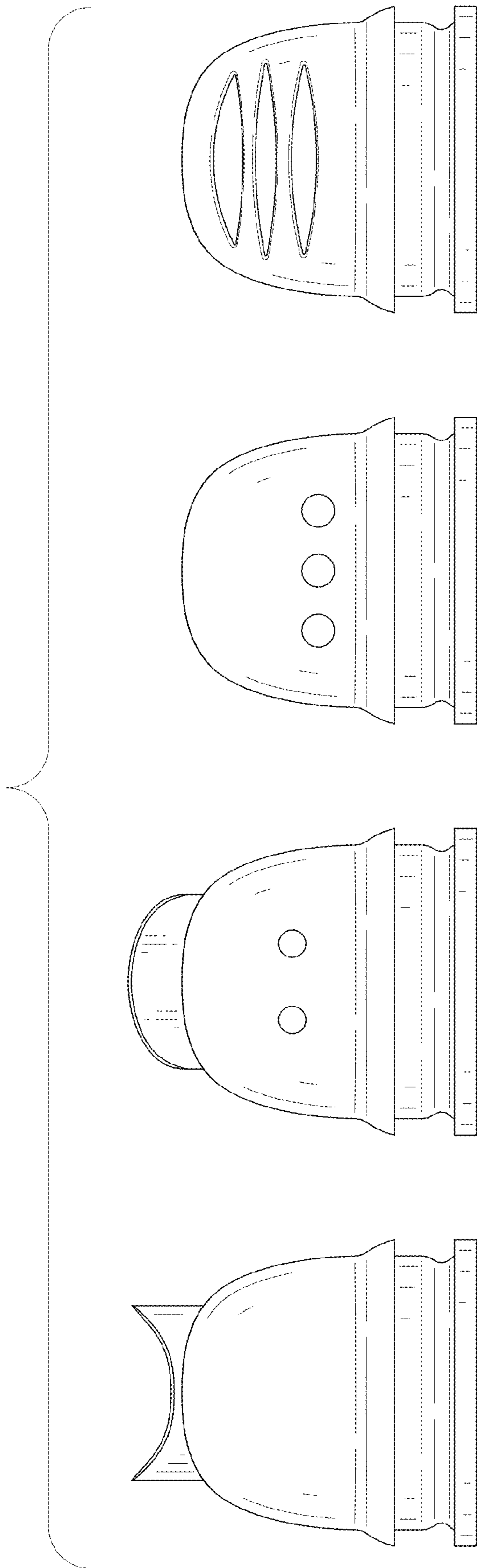


FIG. 11

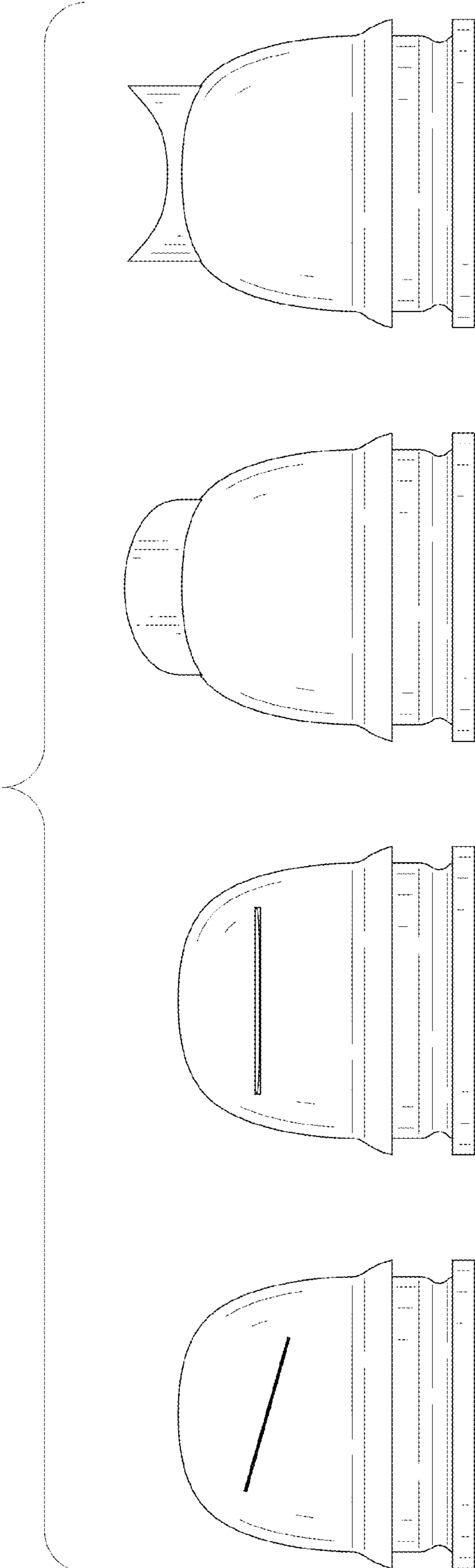


FIG. 12



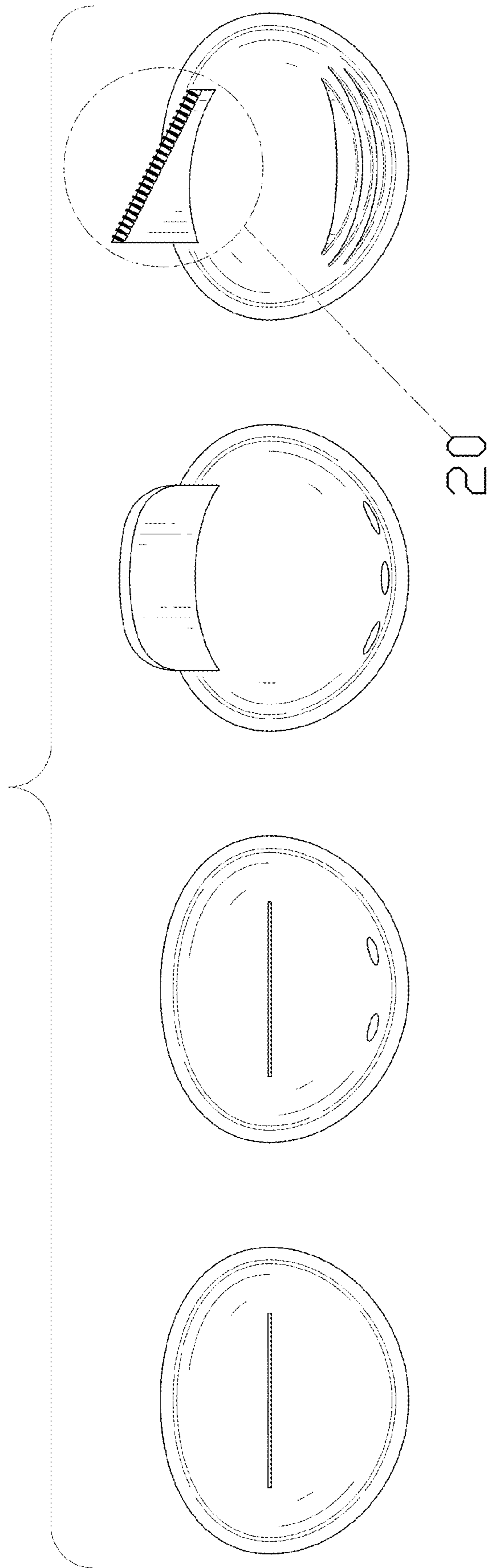


FIG. 13

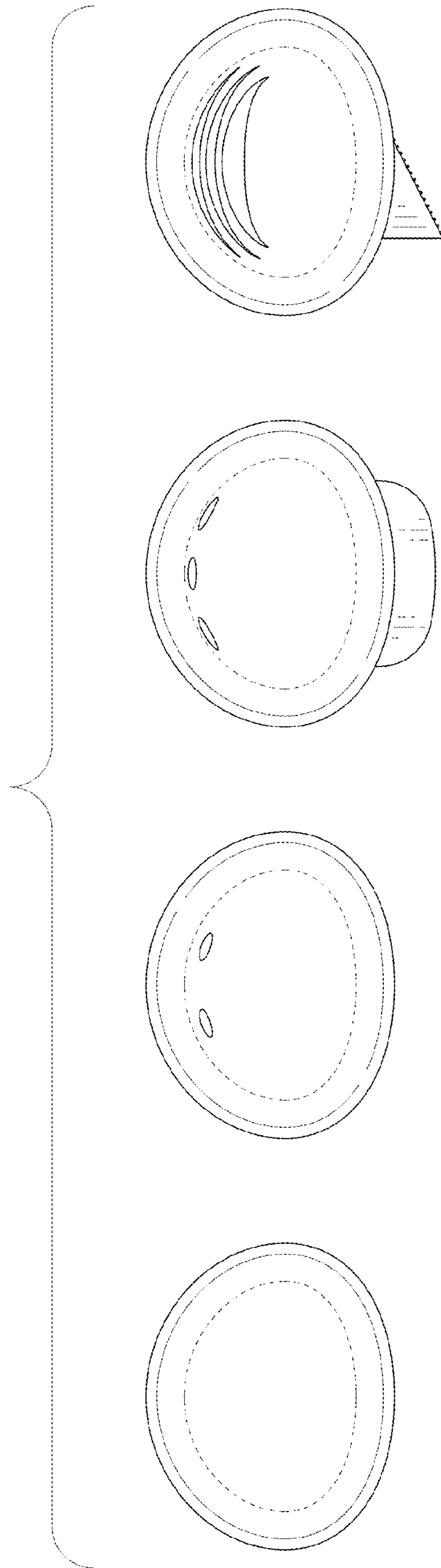


FIG. 14

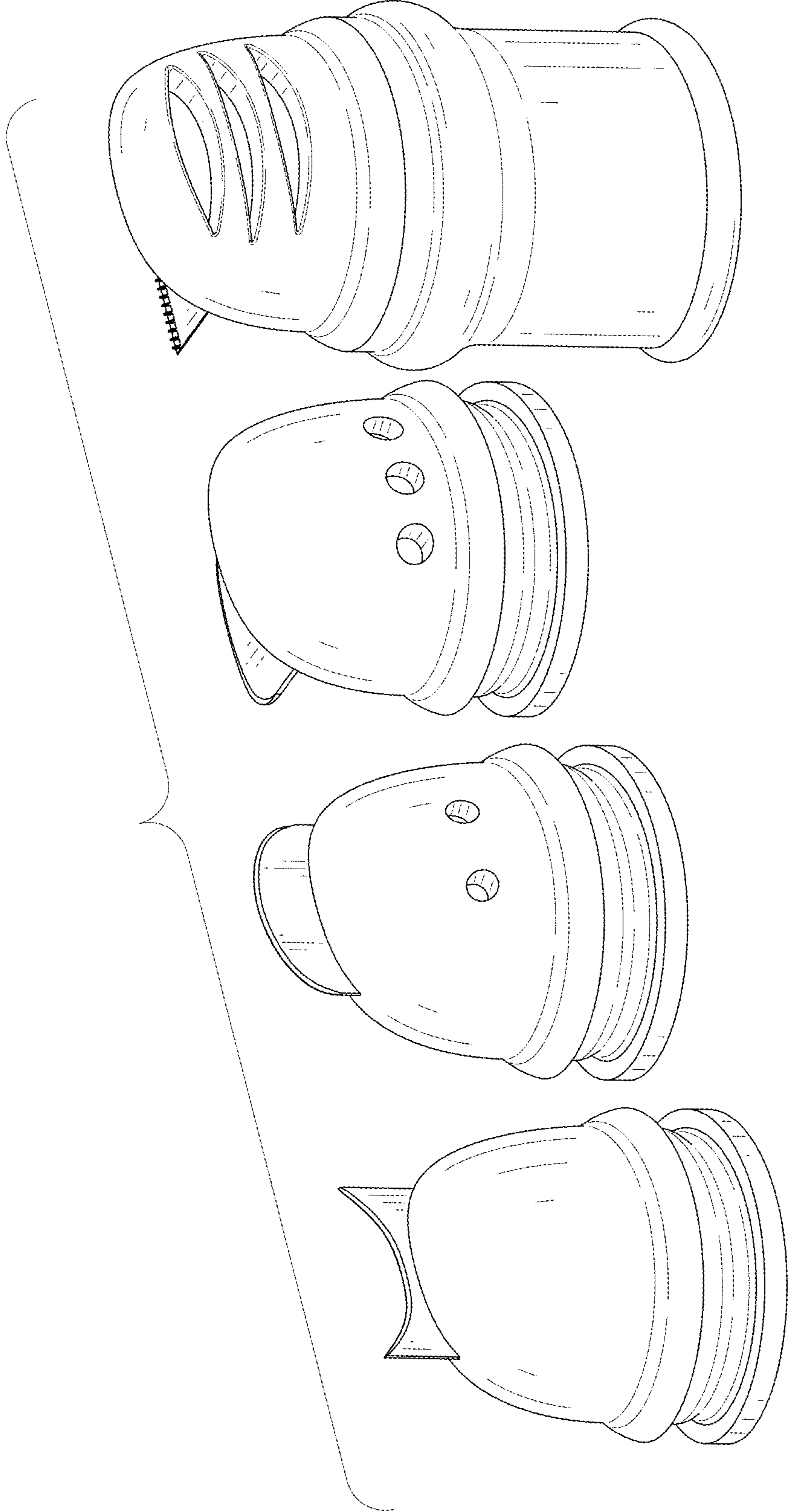


FIG. 15

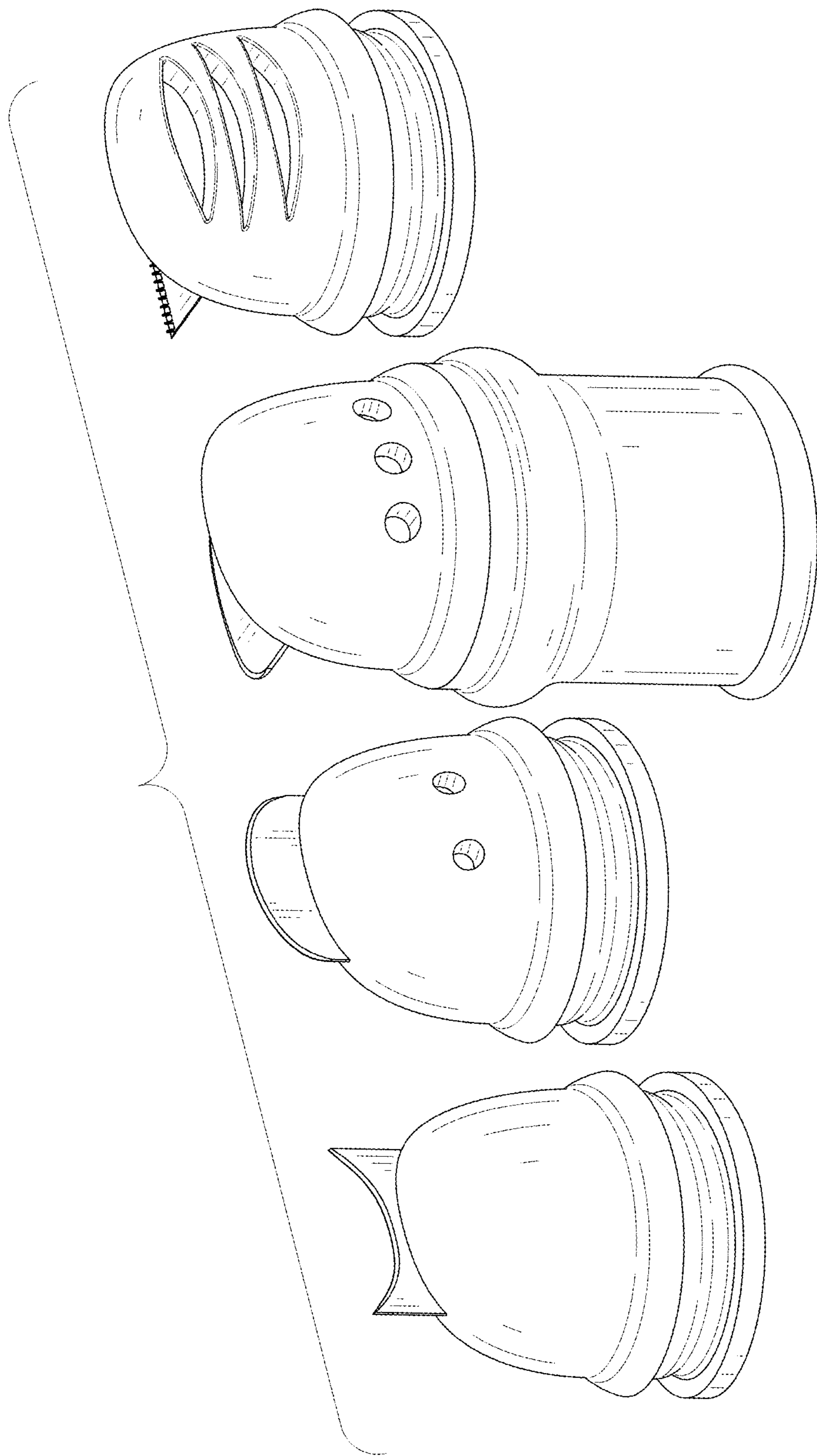


FIG. 16

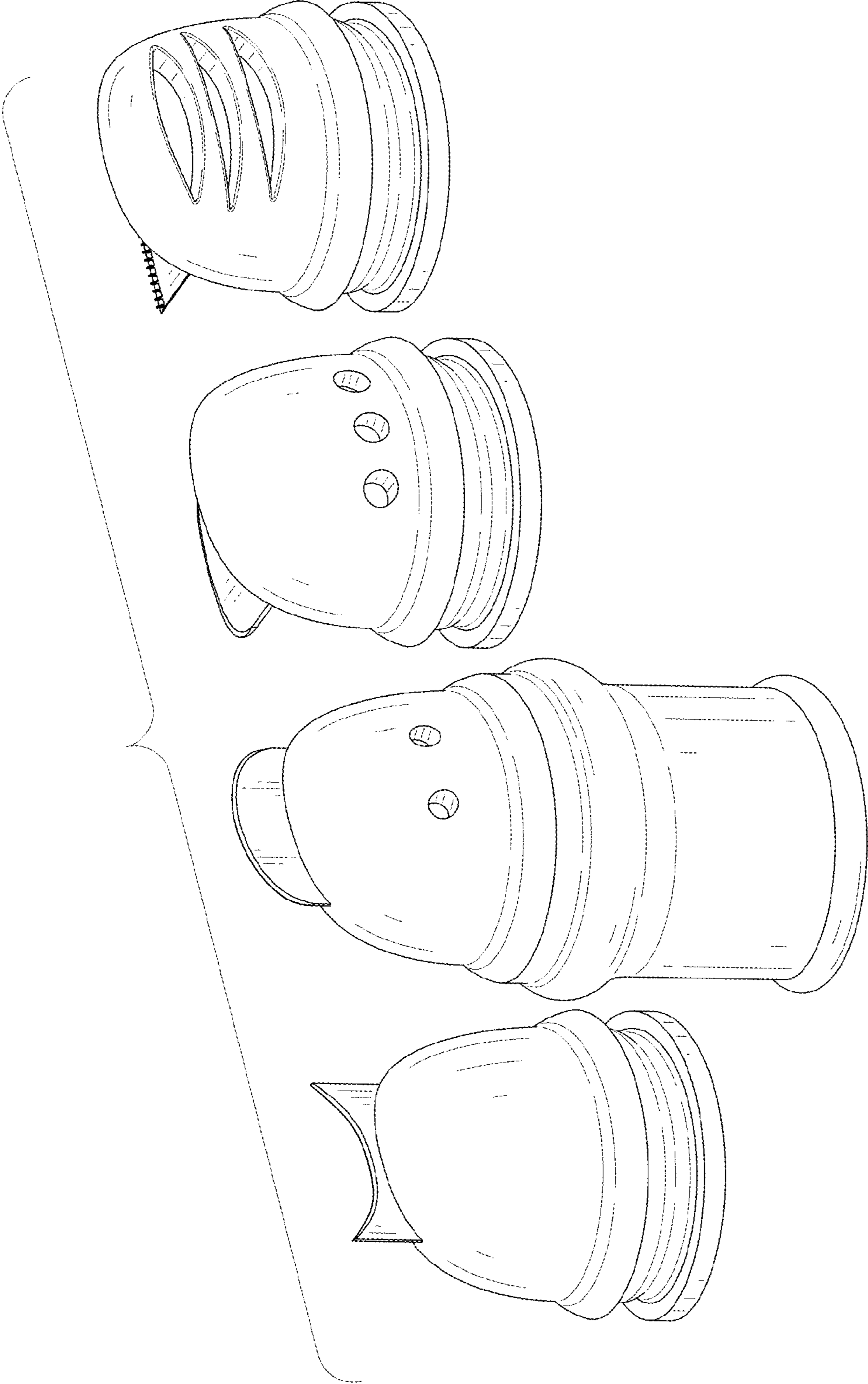


FIG. 17



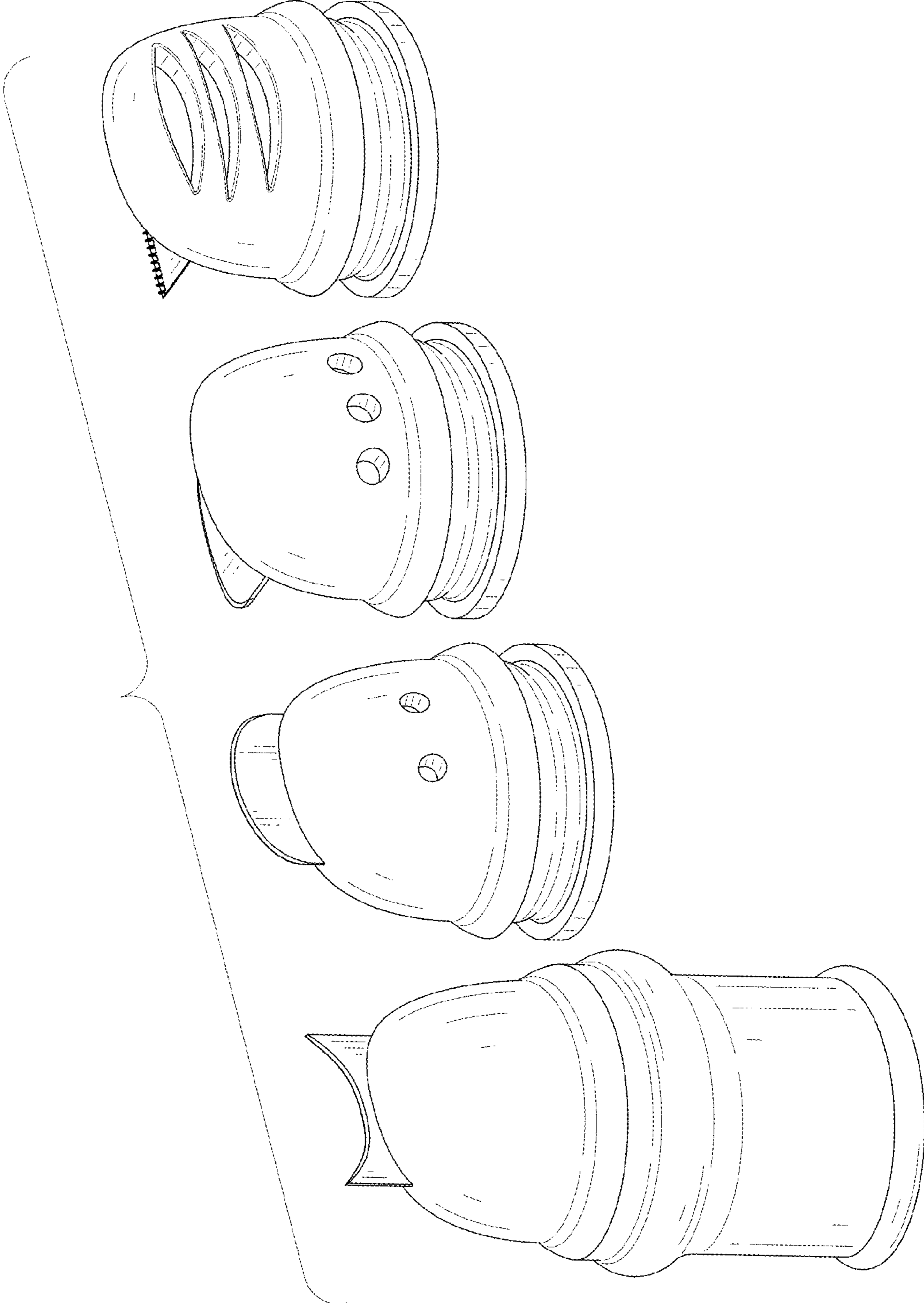


FIG. 18



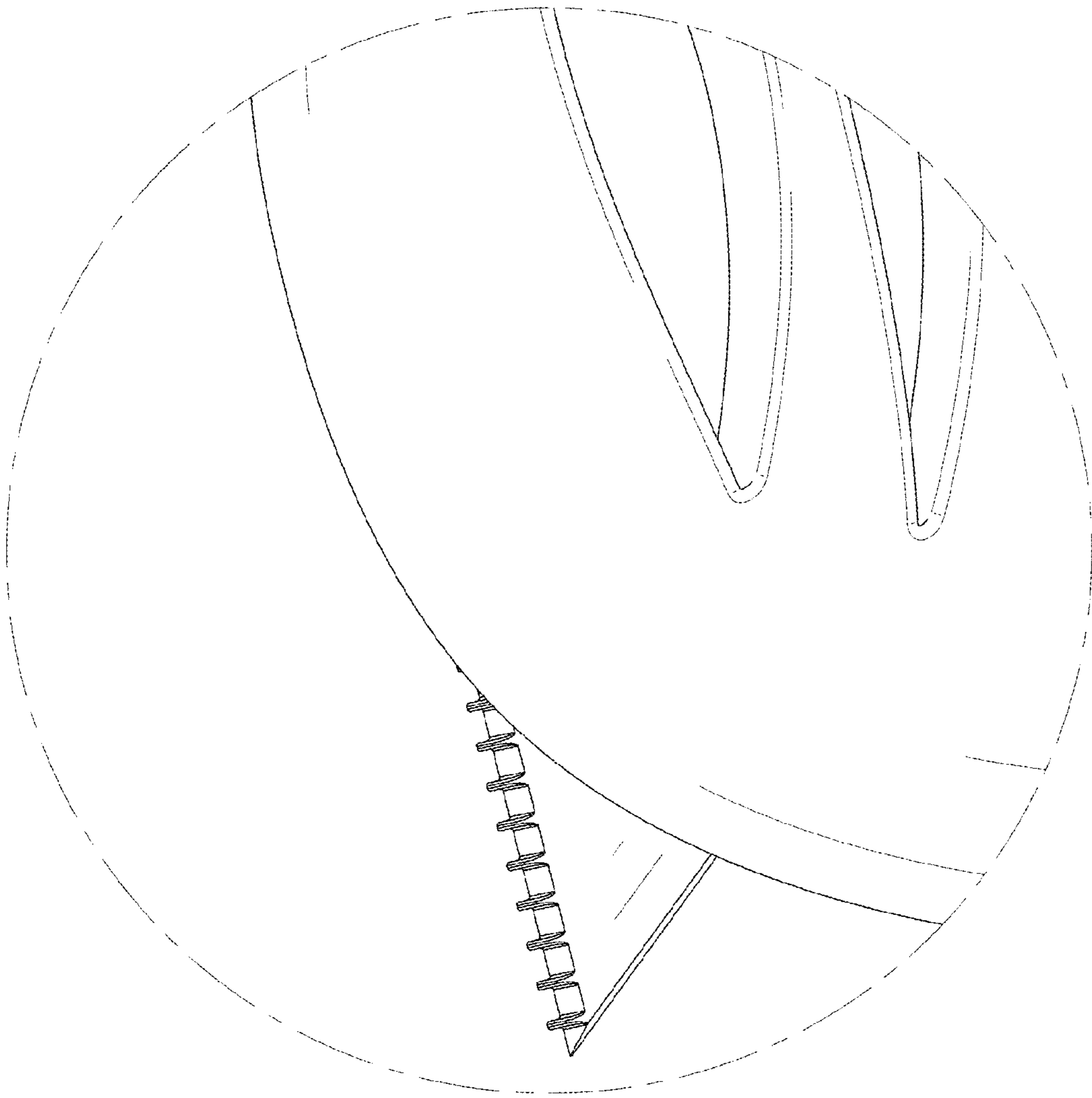


FIG. 19

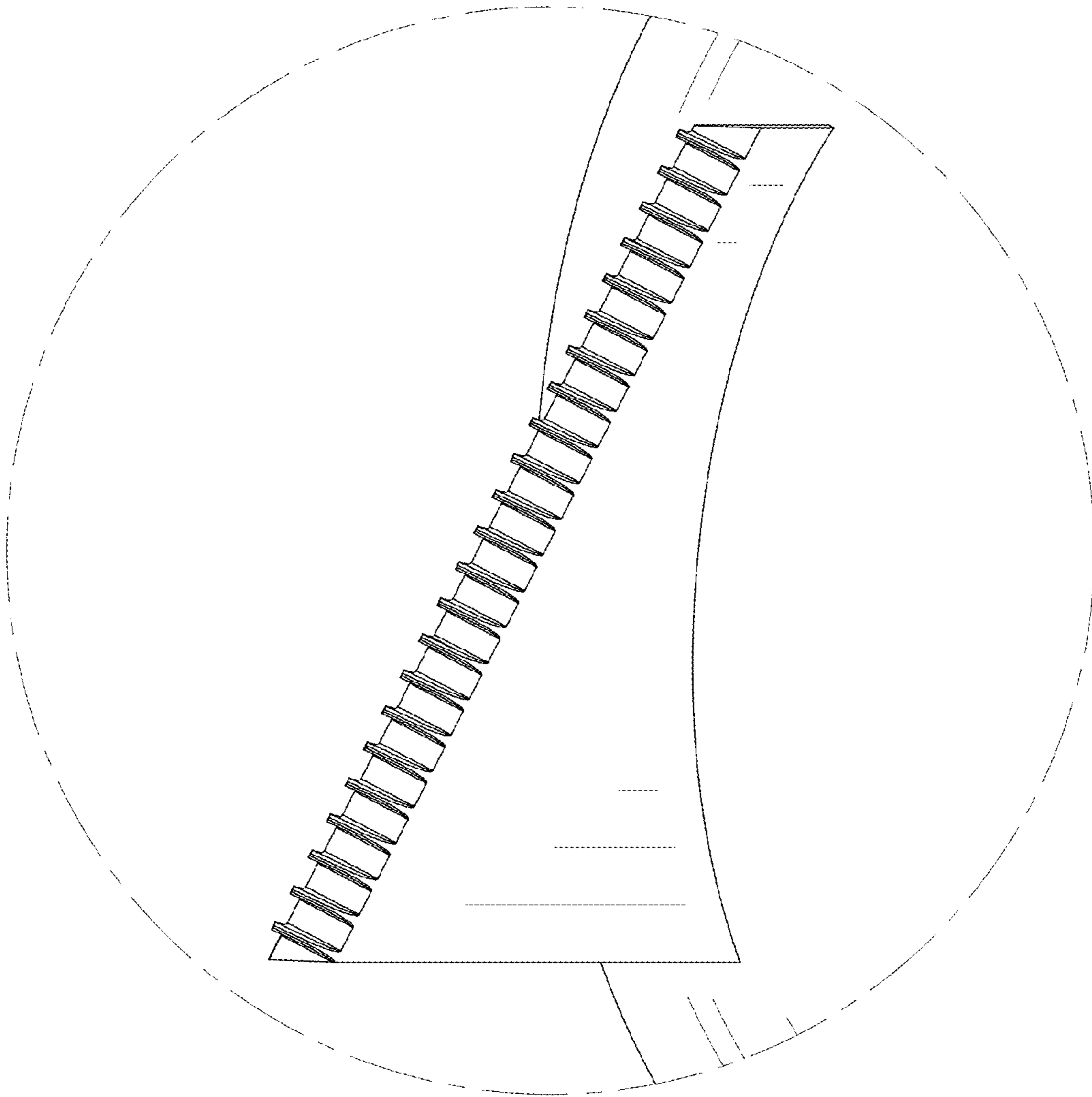


FIG. 20