



US00D907300S

(12) **United States Design Patent** (10) **Patent No.:** **US D907,300 S**
Brown, II et al. (45) **Date of Patent:** **** Jan. 5, 2021**

(54) **BRIM MOUNTED FACE SHIELD**
 (71) Applicants: **Daniel Patrick Brown, II**, Evanston, IL (US); **Daniel Patrick Brown, III**, Palos Park, IL (US)

4,965,887 A 10/1990 Paoluccio et al.
 5,161,259 A * 11/1992 Shorts A42B 1/067
 2/171
 5,341,513 A * 8/1994 Klein A61F 9/027
 2/9

(Continued)

(72) Inventors: **Daniel Patrick Brown, II**, Evanston, IL (US); **Daniel Patrick Brown, III**, Palos Park, IL (US)

FOREIGN PATENT DOCUMENTS

CN 2756188 Y 2/2006
 CN 203538464 U 4/2014

(Continued)

(**) Term: **15 Years**
 (21) Appl. No.: **29/734,591**
 (22) Filed: **May 13, 2020**

Primary Examiner — Robert A Delehanty
 (74) *Attorney, Agent, or Firm* — Vedder Price P.C.

(57) **CLAIM**

The ornamental design for the brim mounted face shield, as shown and described.

Related U.S. Application Data

(63) Continuation-in-part of application No. 29/730,714, filed on Apr. 7, 2020.
 (51) **LOC (13) Cl.** **29-02**
 (52) **U.S. Cl.**
 USPC **D29/110**
 (58) **Field of Classification Search**
 USPC D29/105–110, 123; D24/110.1–110.2;
 D2/866, 893; D28/10; D16/310–312
 See application file for complete search history.

DESCRIPTION

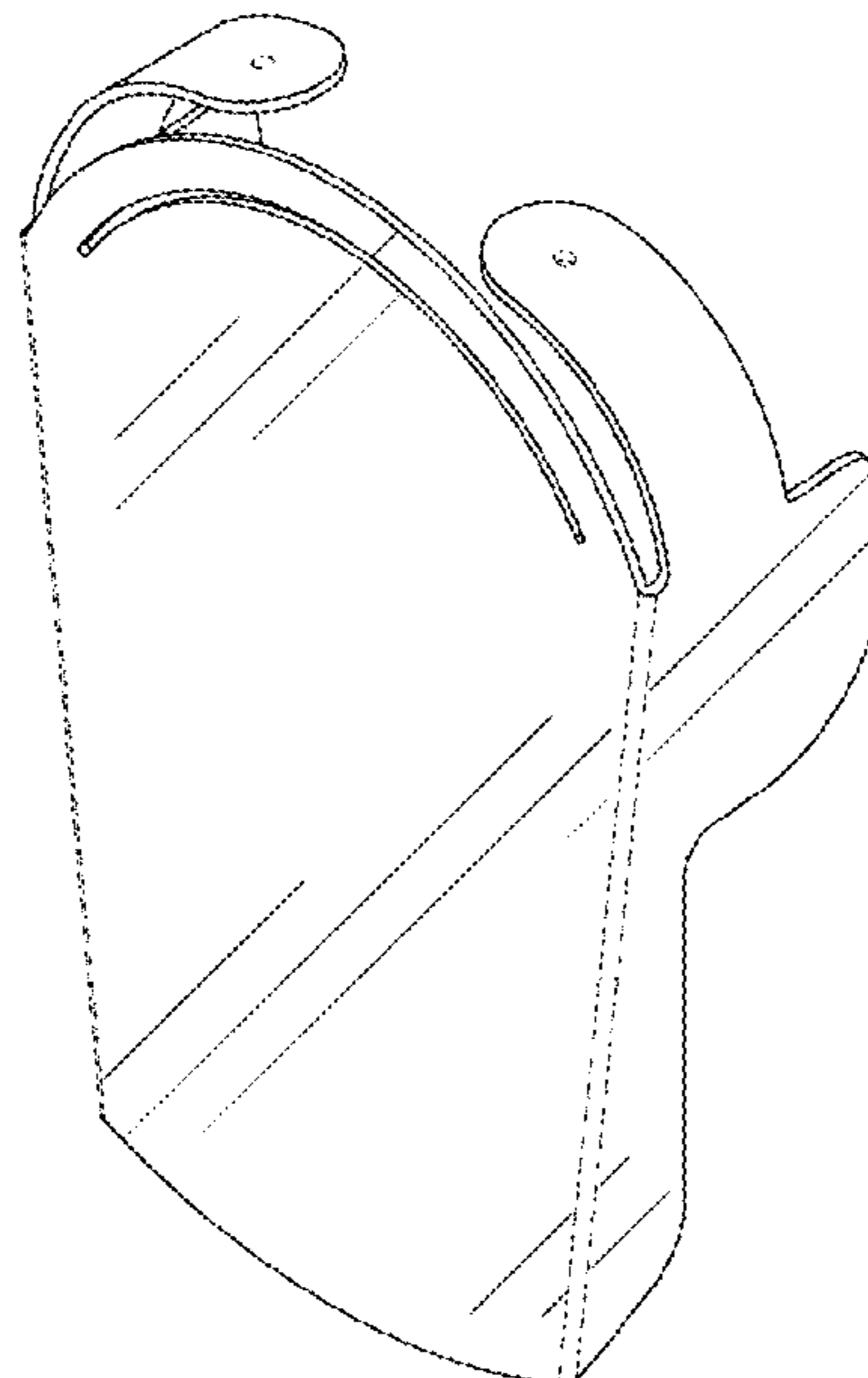
FIG. 1 is a top perspective view of the brim mounted face shield;
 FIG. 2 is a bottom perspective view of the brim mounted face shield of FIG. 1;
 FIG. 3 is a front view of the brim mounted face shield of FIG. 1;
 FIG. 4 is a back view of the brim mounted face shield of FIG. 1;
 FIG. 5 is a right side view of the brim mounted face shield of FIG. 1;
 FIG. 6 is a left side view of the brim mounted face shield of FIG. 1;
 FIG. 7 is a top view of the brim mounted face shield of FIG. 1;
 FIG. 8 is a bottom view of the brim mounted face shield of FIG. 1; and,
 FIG. 9 is a front view of the brim mounted face shield of FIG. 1 in a flat, unfolded configuration.
 Broken lines in the drawings illustrate unclaimed portions of the design and form no part of the claimed design.

(56) **References Cited**

U.S. PATENT DOCUMENTS

2,758,307 A * 8/1956 Treiber A61F 9/025
 2/9
 2,774,970 A * 12/1956 Du Bois A61F 9/025
 2/9
 2,883,669 A 4/1959 Rafowitz et al.
 3,035,270 A 5/1962 Boerner
 D228,700 S * 10/1973 Gager, Jr. D29/110
 4,063,740 A * 12/1977 Mader A63B 69/3608
 473/210

1 Claim, 7 Drawing Sheets



(56)

References Cited

U.S. PATENT DOCUMENTS

5,544,361	A	8/1996	Fine et al.	
5,933,871	A	8/1999	Kraft	
5,950,241	A	9/1999	Gomez	
6,041,435	A	3/2000	Paulson et al.	
6,584,614	B2	7/2003	Hogg	
7,103,920	B1	9/2006	Otterson	
D541,991	S	5/2007	Lawrence	
D638,205	S	5/2011	Castillo	
9,078,483	B1	7/2015	Snyder	
9,894,952	B2	2/2018	Hayes	
D833,121	S *	11/2018	Darby	D2/891
D835,890	S	12/2018	Swank	
2008/0066214	A1	3/2008	O'Hare	
2009/0151049	A1	6/2009	Conrardy et al.	
2010/0146679	A1	6/2010	Heil	
2010/0257659	A1	10/2010	Hitch	
2013/0145525	A1	6/2013	Arenson et al.	
2019/0037950	A1 *	2/2019	Prezioso	A61F 9/045
2019/0174855	A1 *	6/2019	D'ambrosio	A61F 9/045
2020/0281301	A1 *	9/2020	Wynalda, Jr.	A42B 3/225

FOREIGN PATENT DOCUMENTS

CN	104783344	A	7/2015
DE	3635019	A1	4/1988
DE	202020101562	U1	5/2020
EP	1344466	B1	3/2007
EP	2323509	B1	9/2012
EP	2713789	B1	2/2019
GB	2515122	A	12/2014
JP	05952752	B2	7/2016
JP	2017025426	A	2/2017
KR	2064687	B1	1/2020
WO	2020044020	A1	3/2020

* cited by examiner

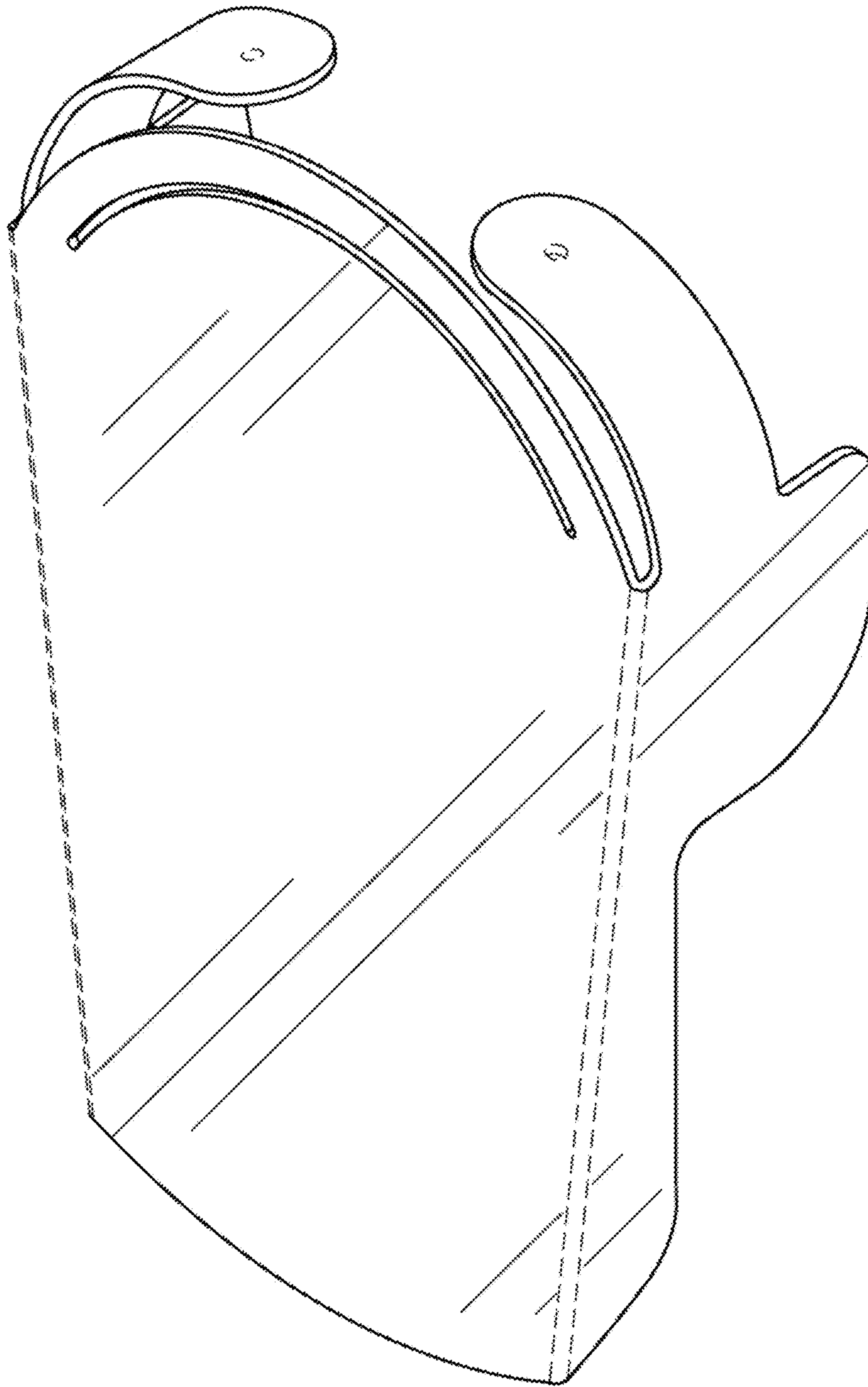


FIG. 1

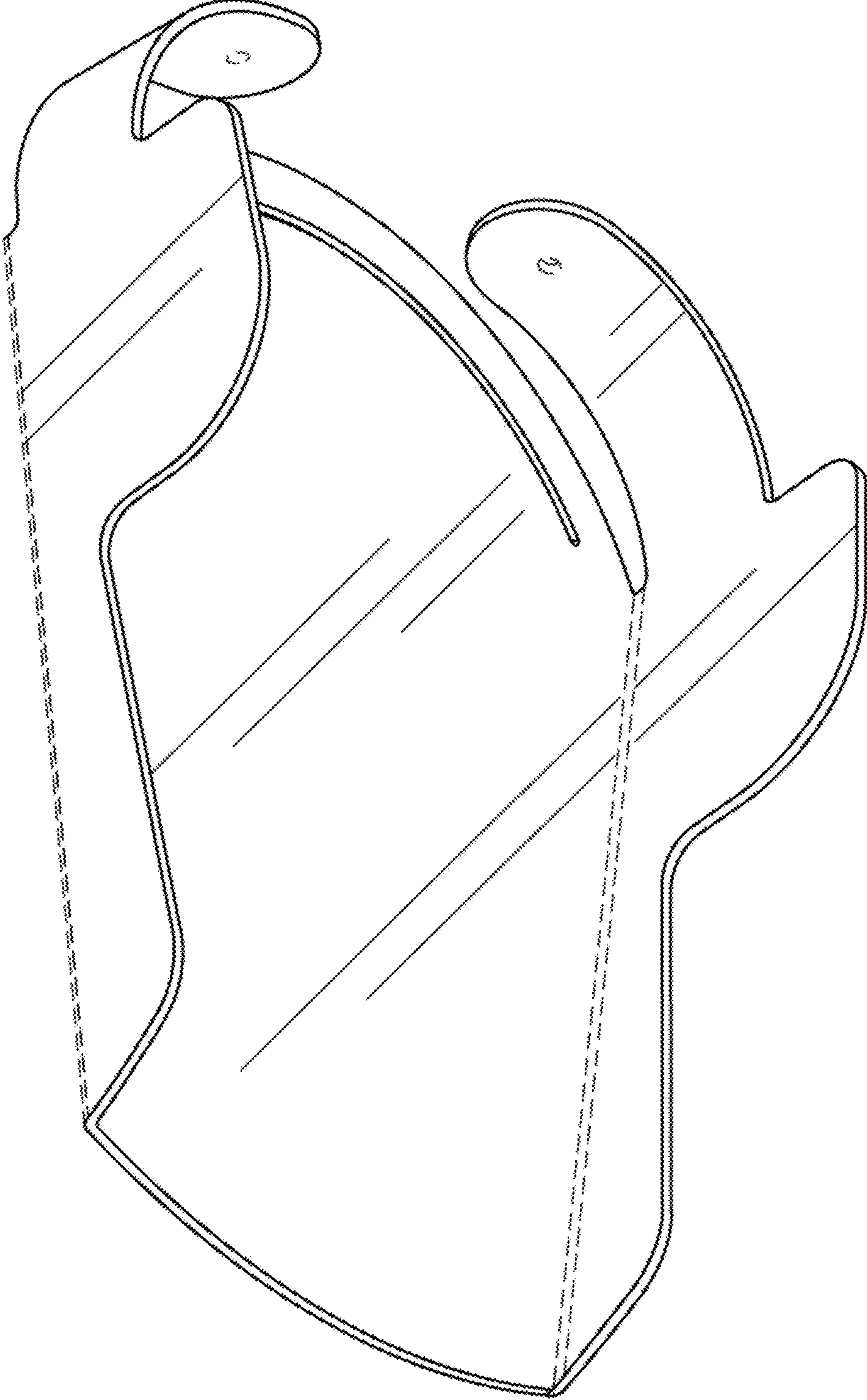


FIG. 2

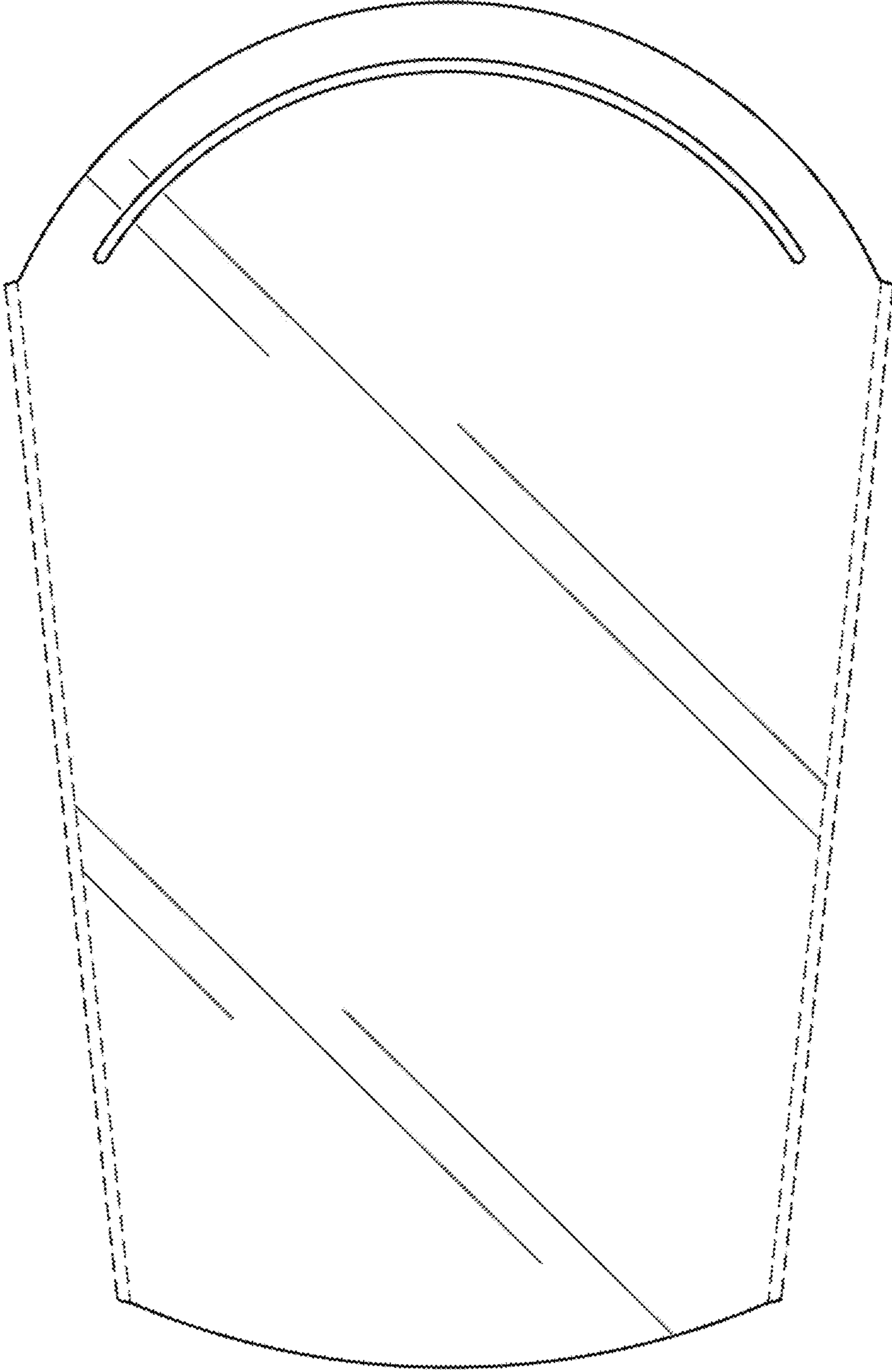


FIG. 3

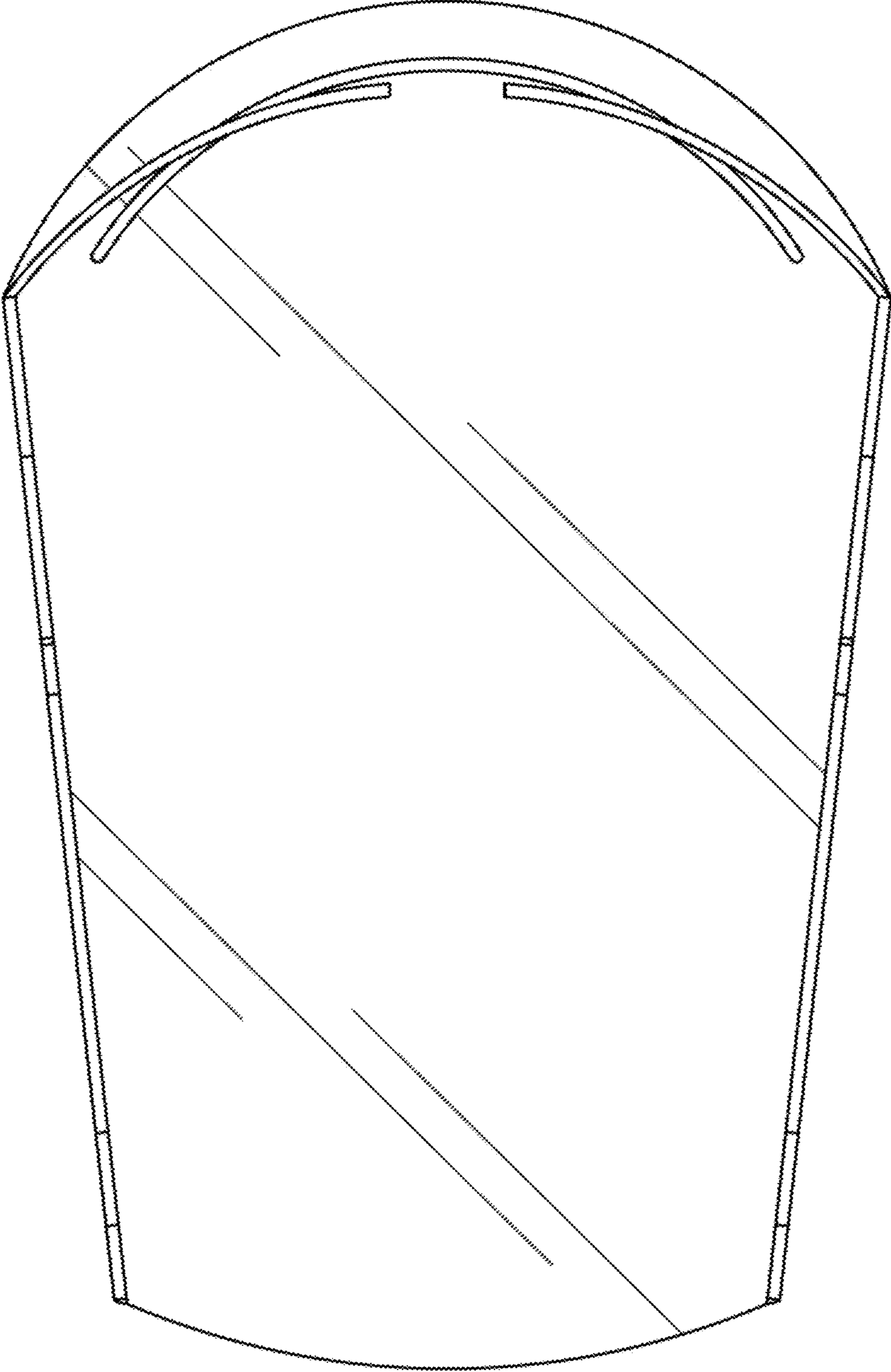


FIG. 4

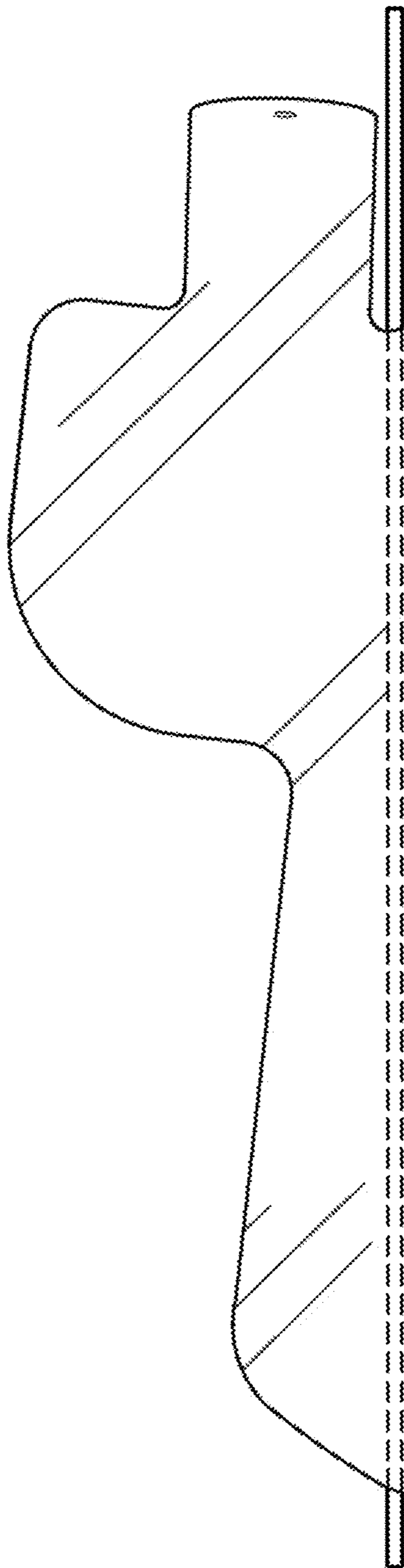


FIG. 5

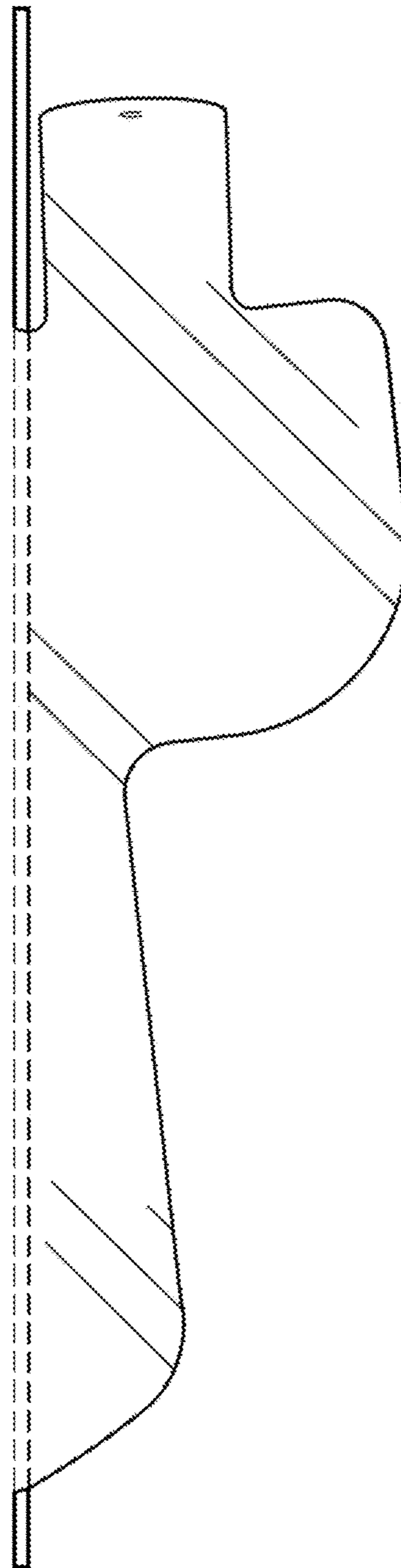


FIG. 6

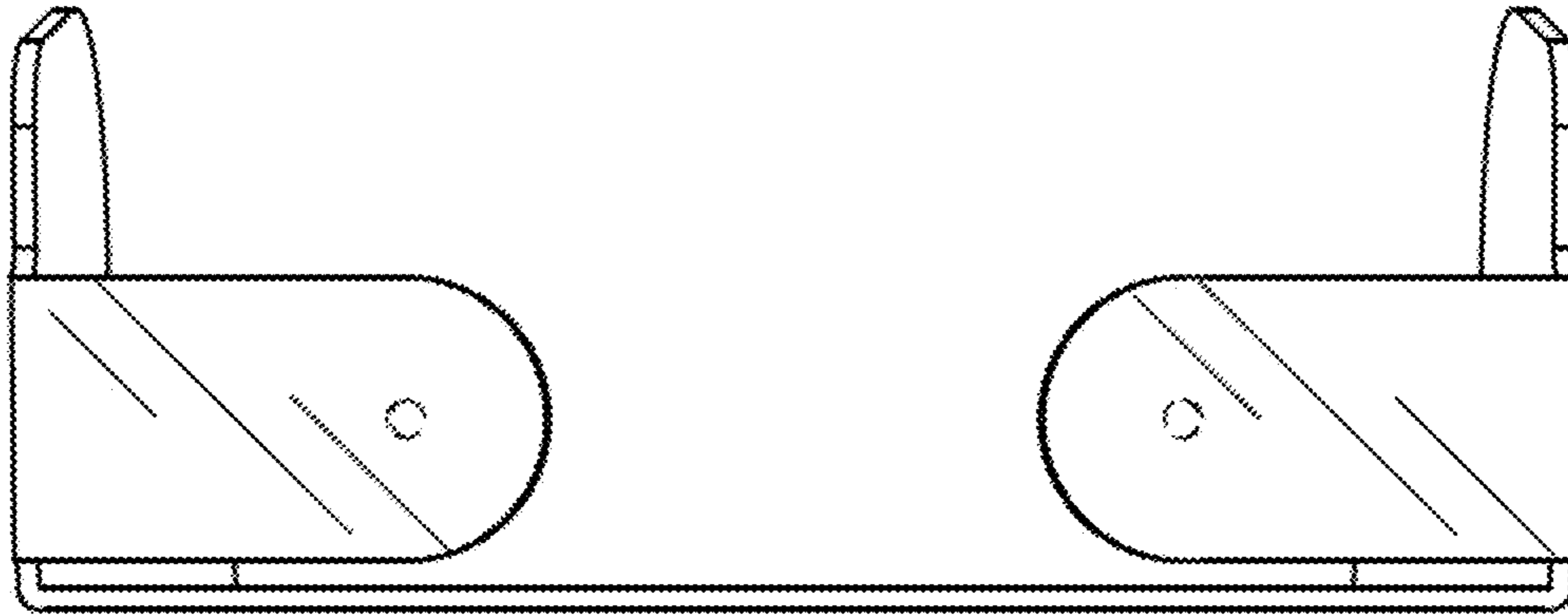


FIG. 7

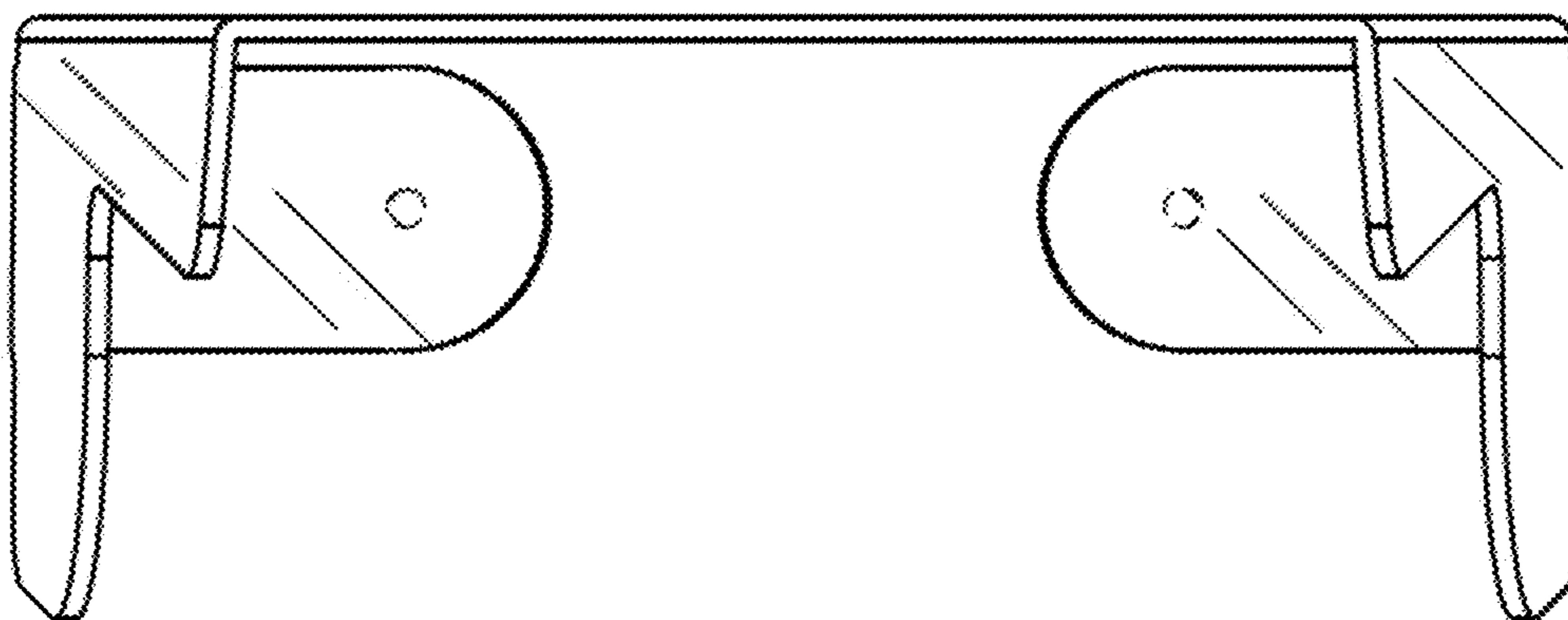


FIG. 8

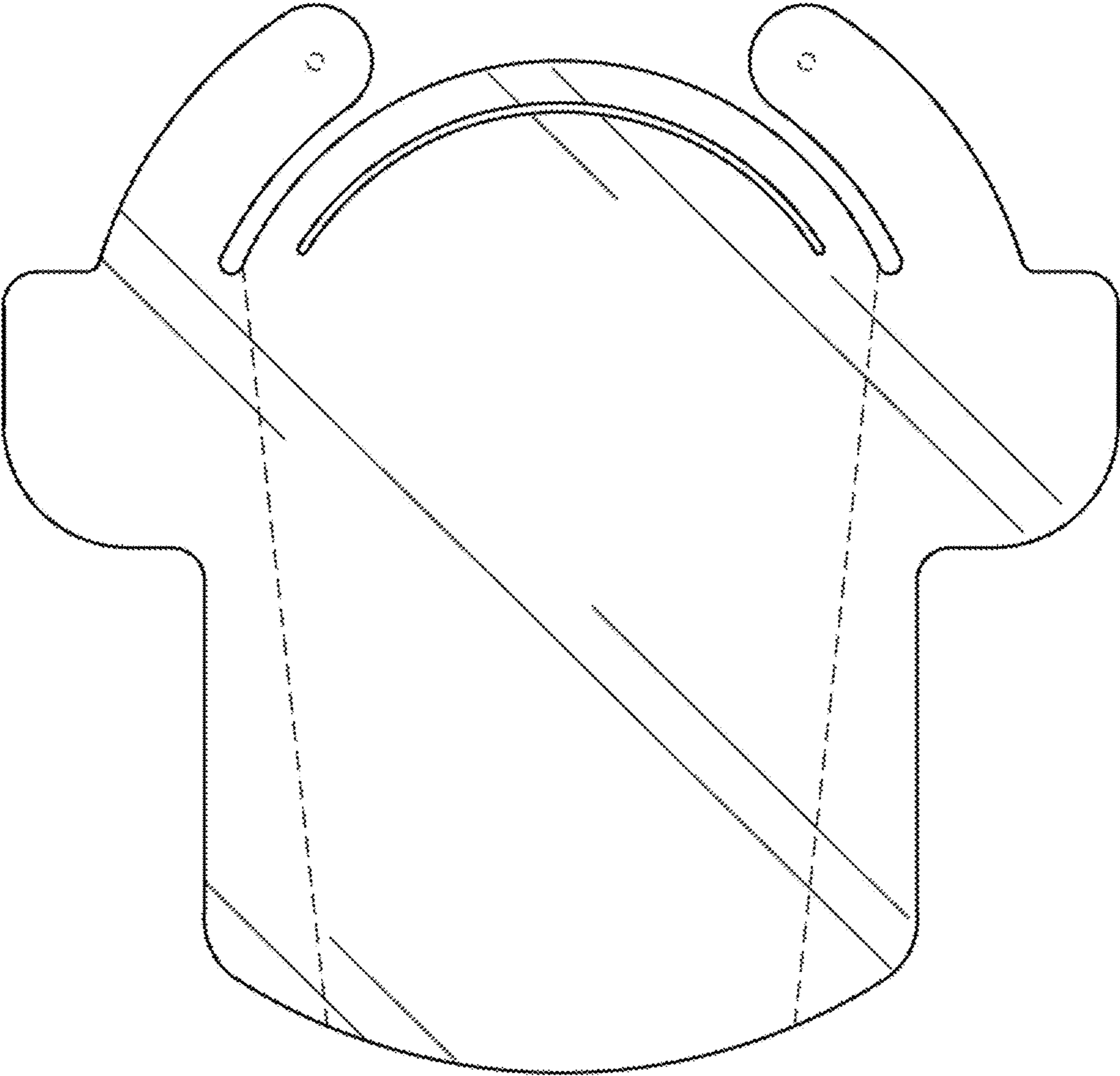


FIG. 9