



US00D907299S

(12) **United States Design Patent**
Brown, II et al.

(10) **Patent No.:** **US D907,299 S**
(45) **Date of Patent:** **** Jan. 5, 2021**

(54) **BRIM MOUNTED FACE SHIELD**

DESCRIPTION

- (71) Applicants: **Daniel Patrick Brown, II**, Evanston, IL (US); **Daniel Patrick Brown, III**, Palos Park, IL (US)
- (72) Inventors: **Daniel Patrick Brown, II**, Evanston, IL (US); **Daniel Patrick Brown, III**, Palos Park, IL (US)
- (**) Term: **15 Years**
- (21) Appl. No.: **29/730,714**
- (22) Filed: **Apr. 7, 2020**
- (51) **LOC (13) Cl.** **29-02**
- (52) **U.S. Cl.**
USPC **D29/110**
- (58) **Field of Classification Search**
USPC D29/105–110, 123; D24/110.1–110.2;
D2/866, 893; D28/10; D16/310–312
See application file for complete search history.

(56) **References Cited**

U.S. PATENT DOCUMENTS

- 2,774,970 A * 12/1956 Du Bois A61F 9/025
2/9
- 2,883,669 A 4/1959 Rafowitz et al.
(Continued)

FOREIGN PATENT DOCUMENTS

- CN 2756188 Y 2/2006
- CN 203538464 U 4/2014
- (Continued)

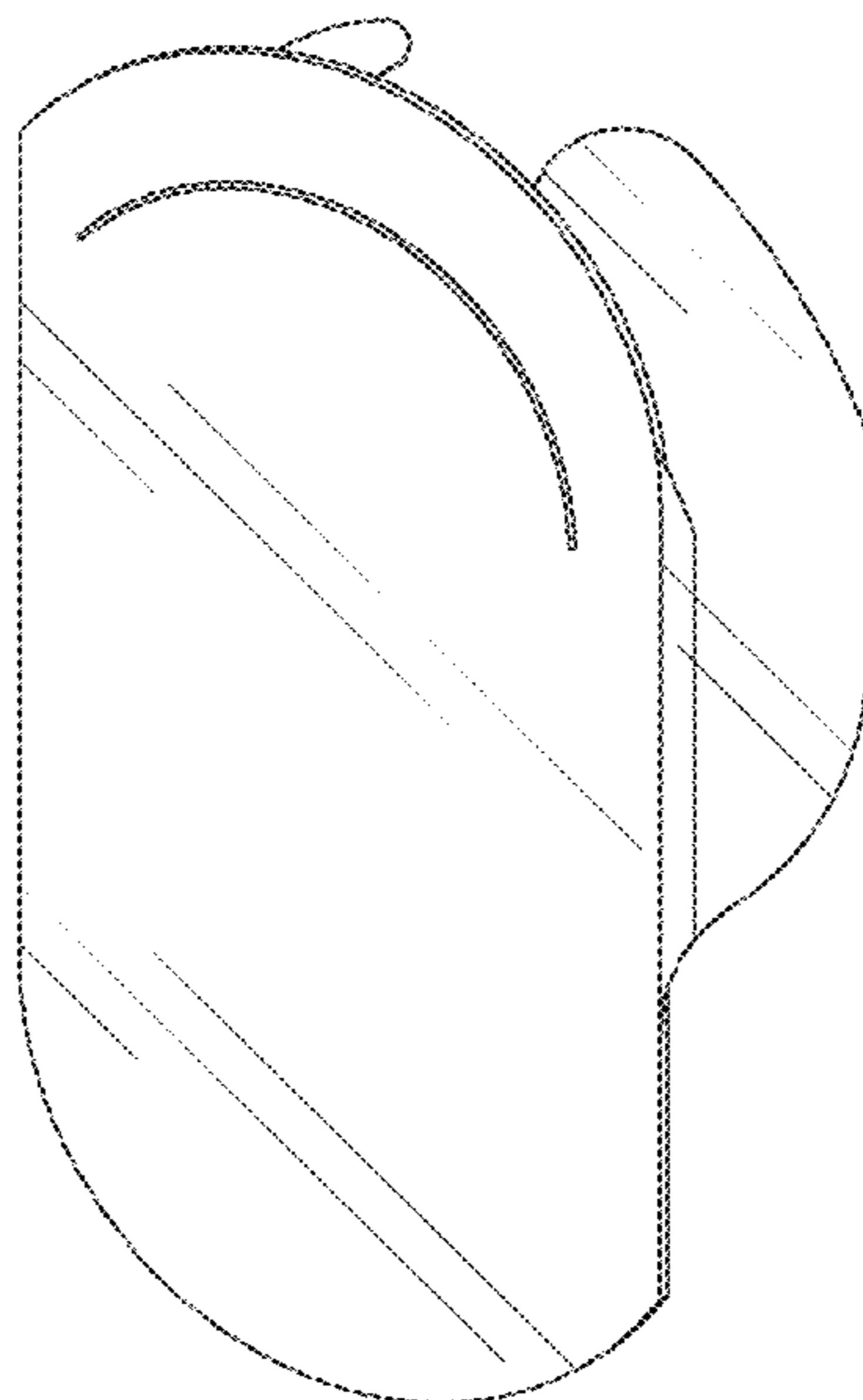
Primary Examiner — Robert A Delehanty
(74) *Attorney, Agent, or Firm* — Vedder Price P.C.

(57) **CLAIM**

The ornamental design for the brim mounted face shield, as shown and described.

FIG. 1 is a top perspective view of the brim mounted face shield attached to a hat shown in broken lines; FIG. 2 is a bottom perspective view of the brim mounted face shield of FIG. 1 attached to a hat shown in broken lines; FIG. 3 is a front view of the brim mounted face shield of FIG. 1 attached to a hat shown in broken lines; FIG. 4 is a back view of the brim mounted face shield of FIG. 1 attached to a hat shown in broken lines; FIG. 5 is a right side view of the brim mounted face shield of FIG. 1 attached to a hat shown in broken lines; FIG. 6 is a left side view of the brim mounted face shield of FIG. 1 attached to a hat shown in broken lines; FIG. 7 is a top view of the brim mounted face shield of FIG. 1 attached to a hat shown in broken lines; FIG. 8 is a bottom view of the brim mounted face shield of FIG. 1 attached to a hat shown in broken lines; FIG. 9 is a top perspective view of the brim mounted face shield; FIG. 10 is a bottom perspective view of the brim mounted face shield of FIG. 9; FIG. 11 is a front view of the brim mounted face shield of FIG. 9; FIG. 12 is a back view of the brim mounted face shield of FIG. 9; FIG. 13 is a right side view of the brim mounted face shield of FIG. 9; FIG. 14 is a left side view of the brim mounted face shield of FIG. 9; FIG. 15 is a top view of the brim mounted face shield of FIG. 9; FIG. 16 is a bottom view of the brim mounted face shield of FIG. 9; and, FIG. 17 is a front view of the brim mounted face shield of FIG. 1 in a flat, unfolded configuration. Broken lines in the drawings illustrate unclaimed portions of the design and environment and form no part of the claimed design.

1 Claim, 16 Drawing Sheets



(56)

References Cited

U.S. PATENT DOCUMENTS

3,035,270 A 5/1962 Boerner
 D228,700 S * 10/1973 Gager D29/110
 4,063,740 A * 12/1977 Mader A63B 69/3608
 4,965,887 A 10/1990 Paoluccio et al.
 D314,452 S * 2/1991 Accardi D29/110
 5,161,259 A * 11/1992 Shorts A42B 1/067
 5,341,513 A * 8/1994 Klein A61F 9/027
 5,544,361 A 8/1996 Fine et al.
 5,933,871 A 8/1999 Kraft
 5,950,241 A 9/1999 Gomez
 6,041,435 A 3/2000 Paulson et al.
 6,584,614 B2 7/2003 Hogg
 7,103,920 B1 9/2006 Otterson
 D541,991 S 5/2007 Lawrence
 D638,205 S 5/2011 Castillo
 9,078,483 B1 7/2015 Snyder
 9,894,952 B2 2/2018 Hayes
 D833,121 S * 11/2018 Darby D2/891

D835,890 S 12/2018 Swank
 2008/0066214 A1 3/2008 O'Hare
 2009/0151049 A1 6/2009 Conrardy et al.
 2010/0146679 A1 6/2010 Heil
 2010/0257659 A1 10/2010 Hitch
 2013/0145525 A1 6/2013 Arenson et al.
 2019/0174855 A1 * 6/2019 D'ambrosio A61F 9/045
 2020/0100657 A1 * 4/2020 Lee A41D 13/1184
 2020/0281301 A1 * 9/2020 Wynalda, Jr. A42B 3/225

FOREIGN PATENT DOCUMENTS

CN 104783344 A 7/2015
 DE 3635019 A1 4/1988
 DE 202020101562 U1 5/2020
 EP 1344466 B1 3/2007
 EP 2323509 B1 9/2012
 EP 2713789 B1 2/2019
 GB 2515122 A 12/2014
 JP 05952752 B2 7/2016
 JP 2017025426 A 2/2017
 KR 2064687 B1 1/2020
 WO 2020044020 A1 3/2020

* cited by examiner

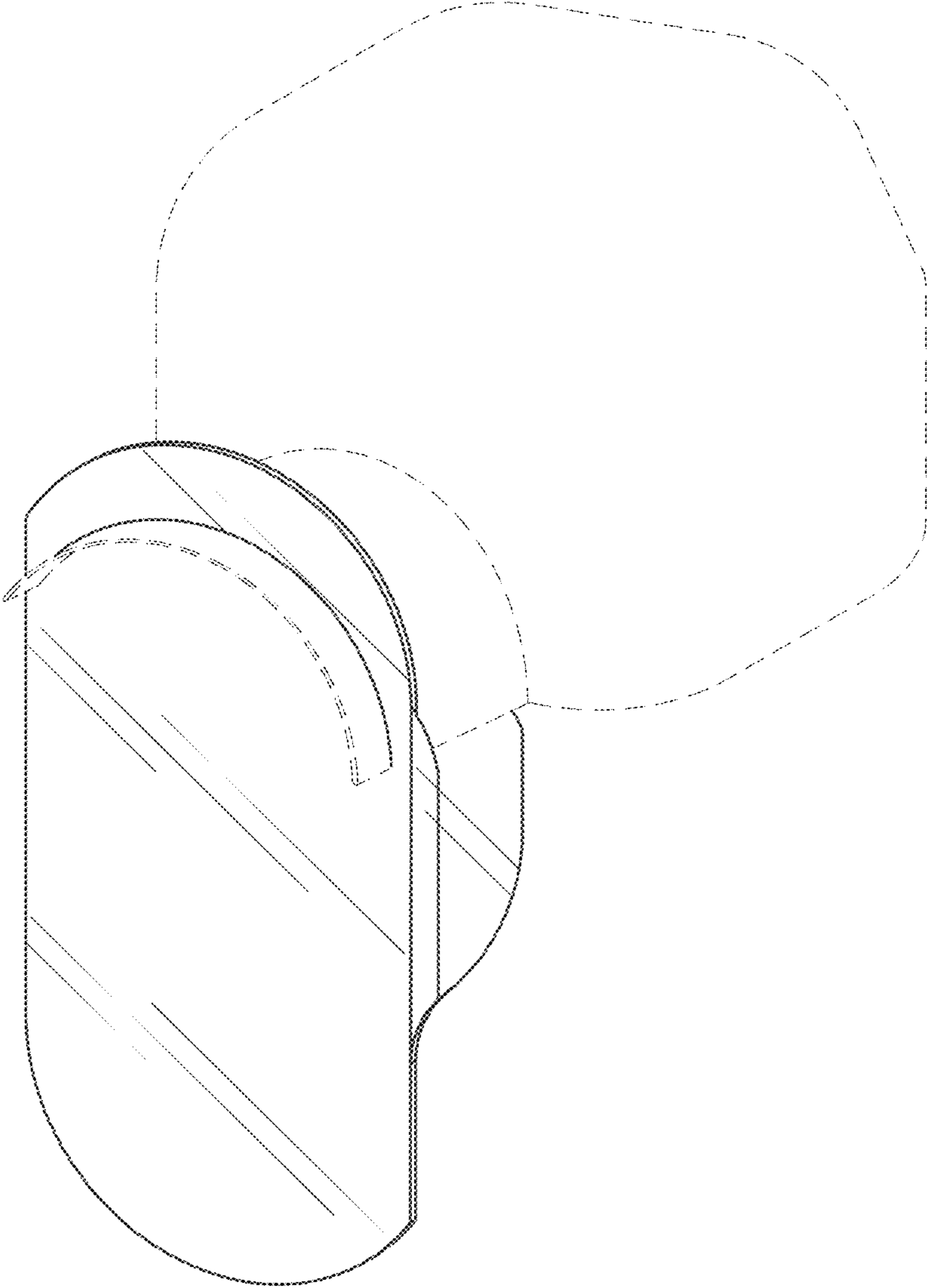


FIG. 1

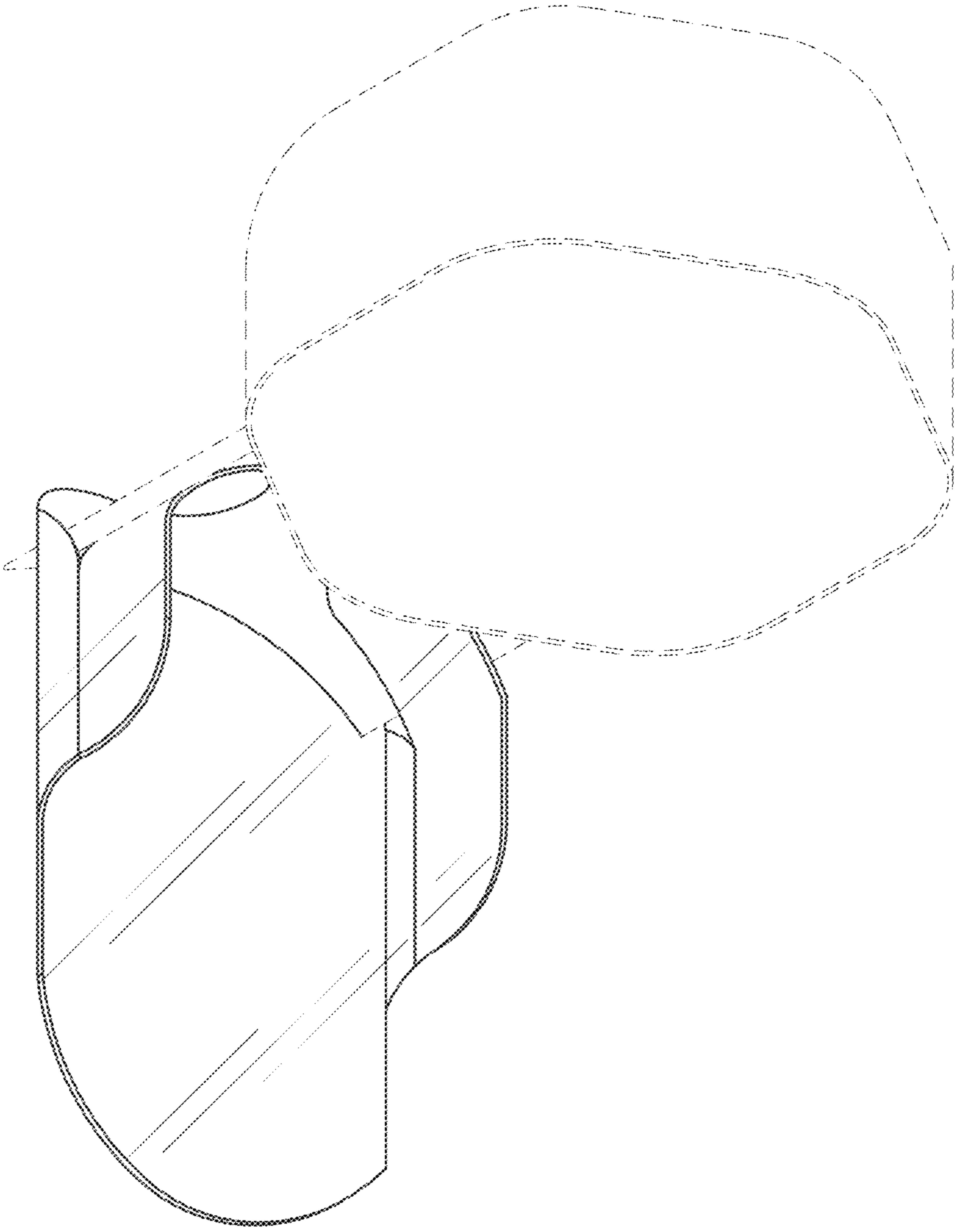


FIG. 2

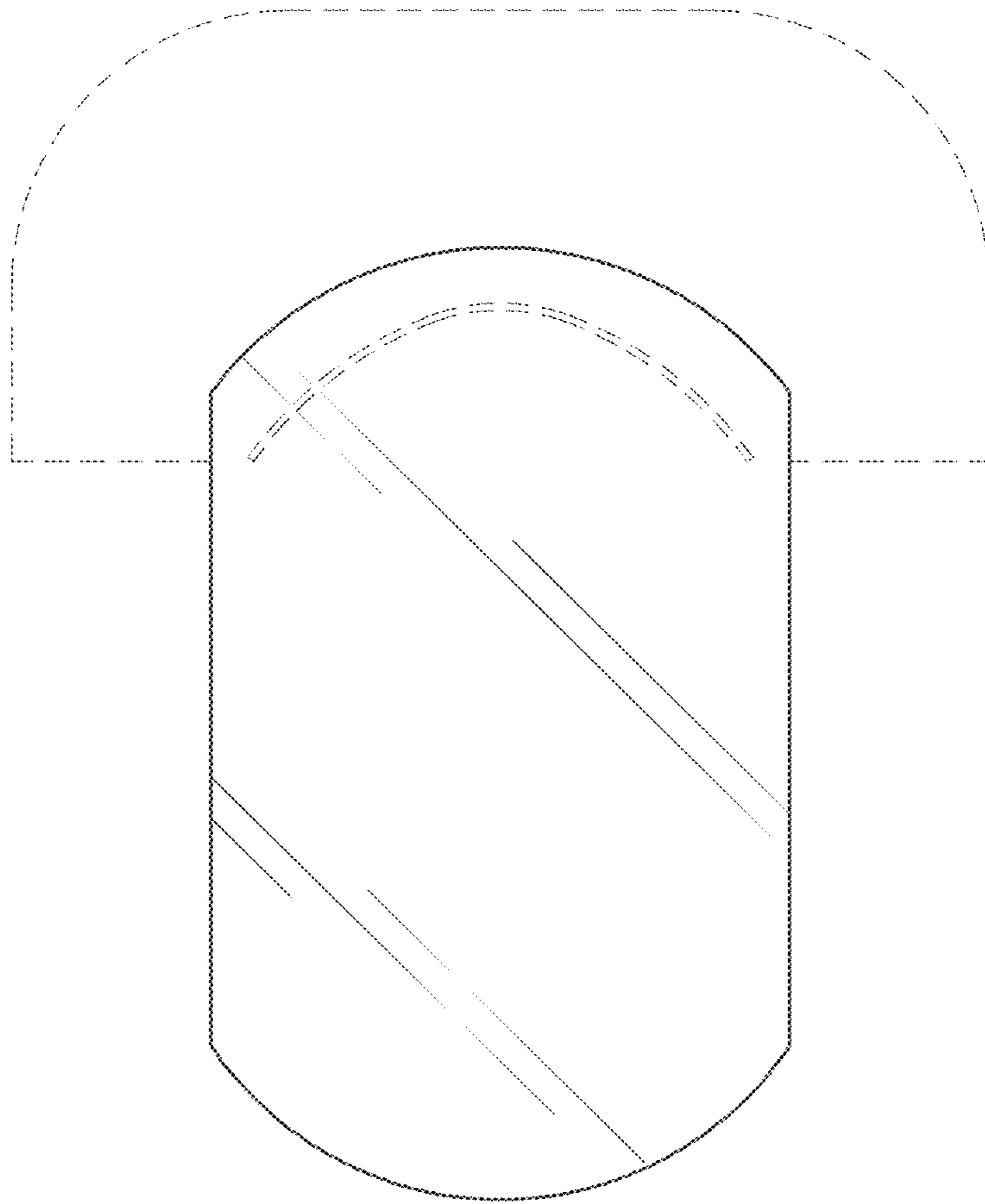


FIG. 3

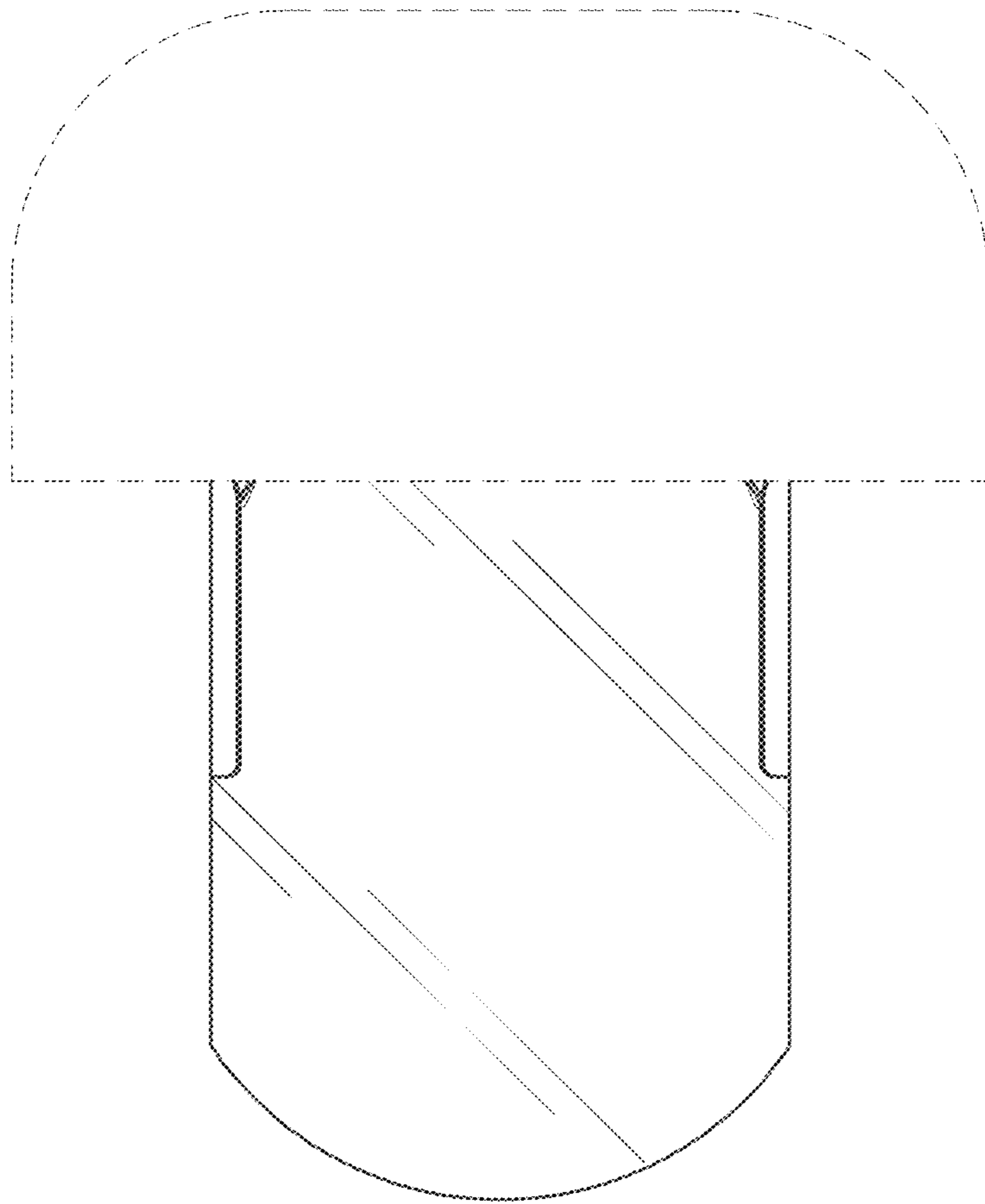


FIG. 4

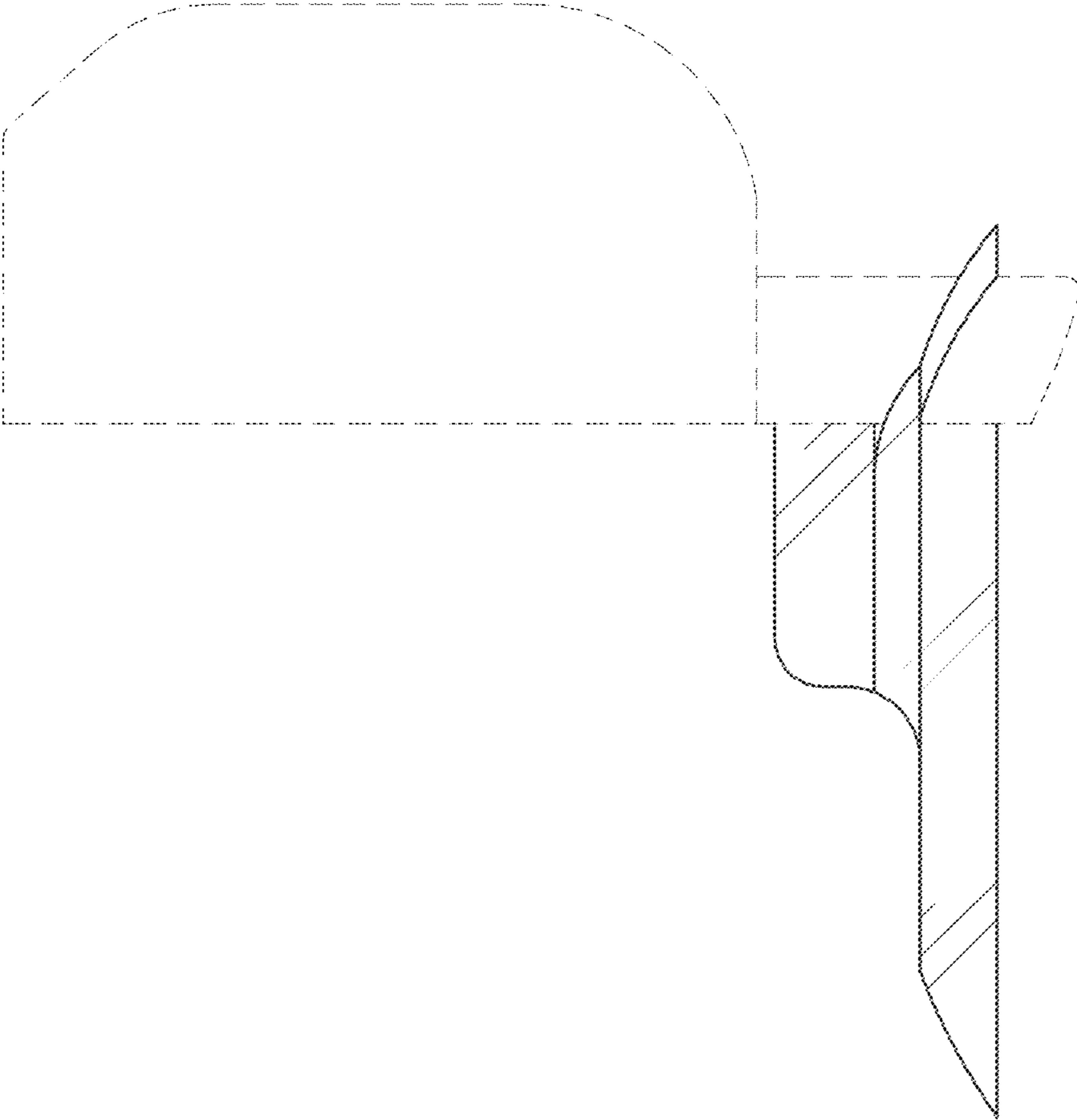


FIG. 5

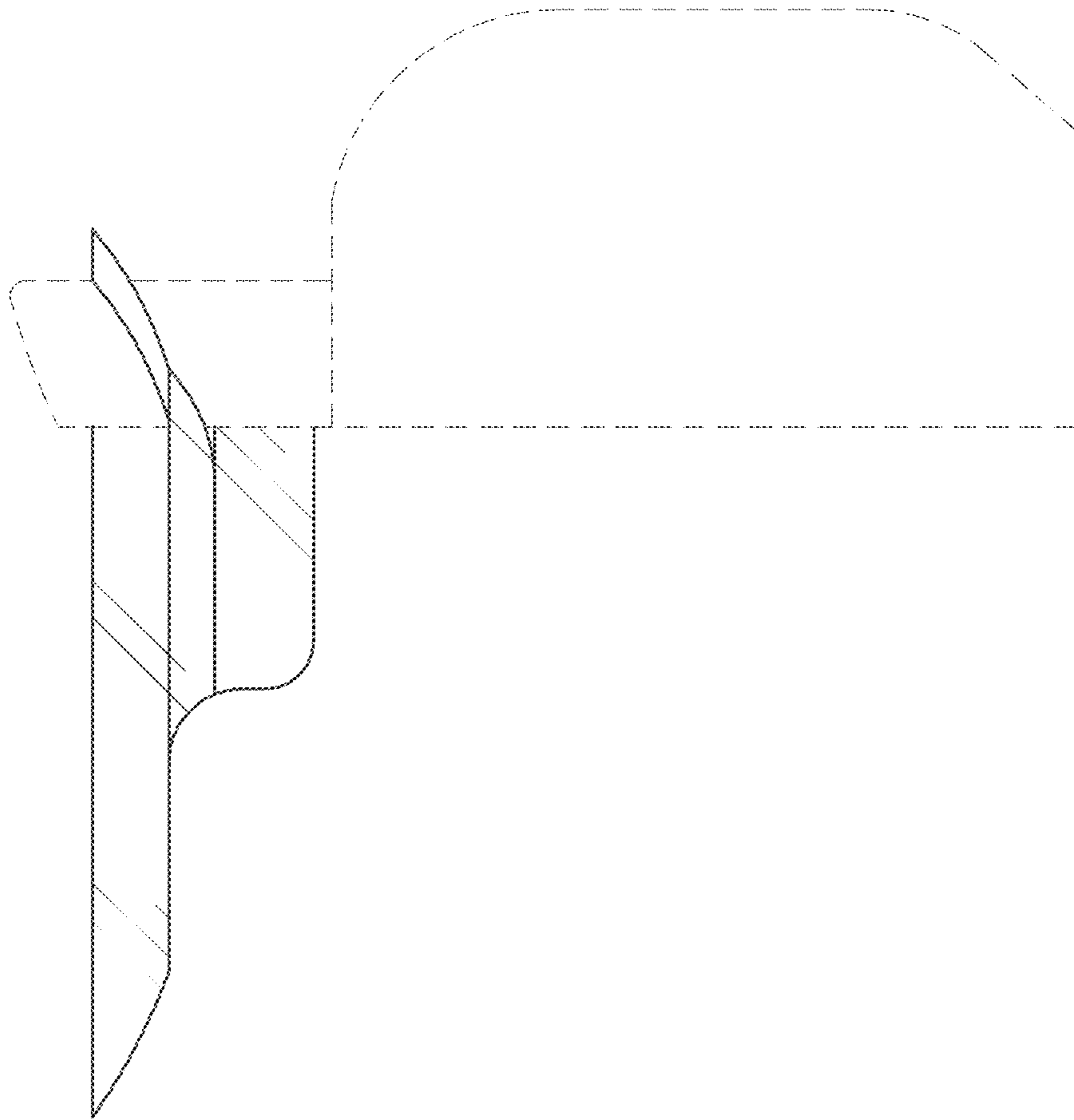


FIG. 6

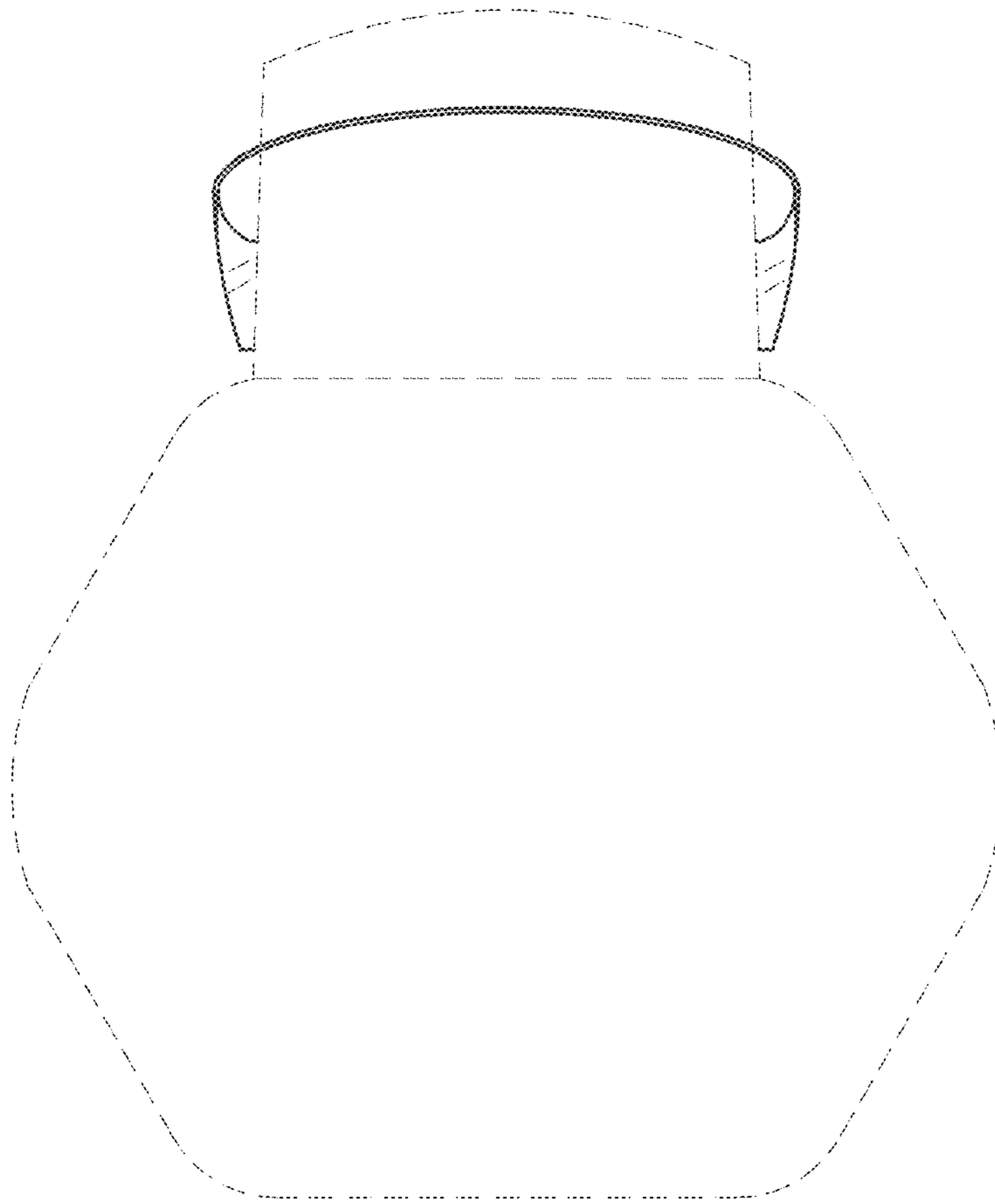


FIG. 7

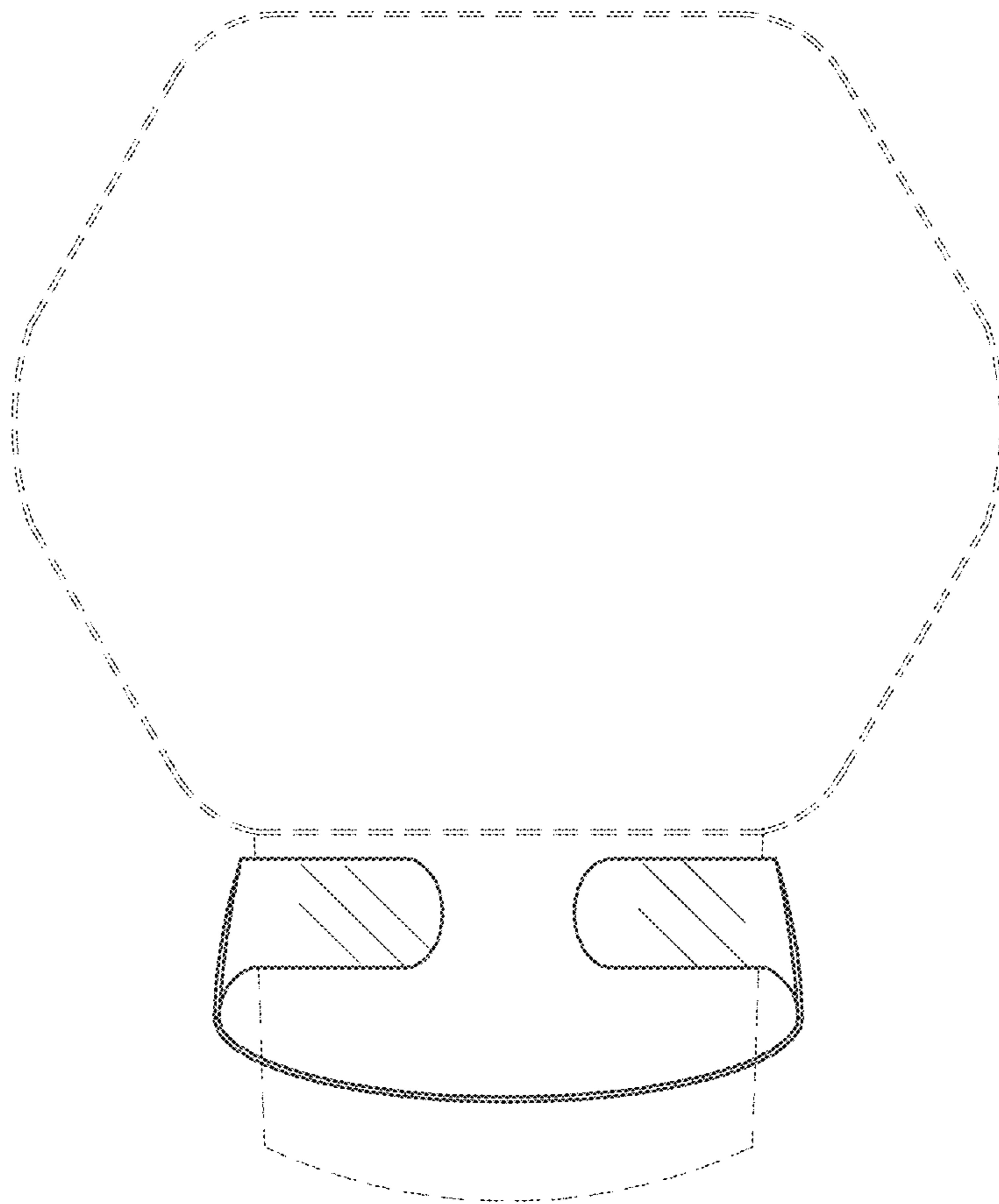


FIG. 8

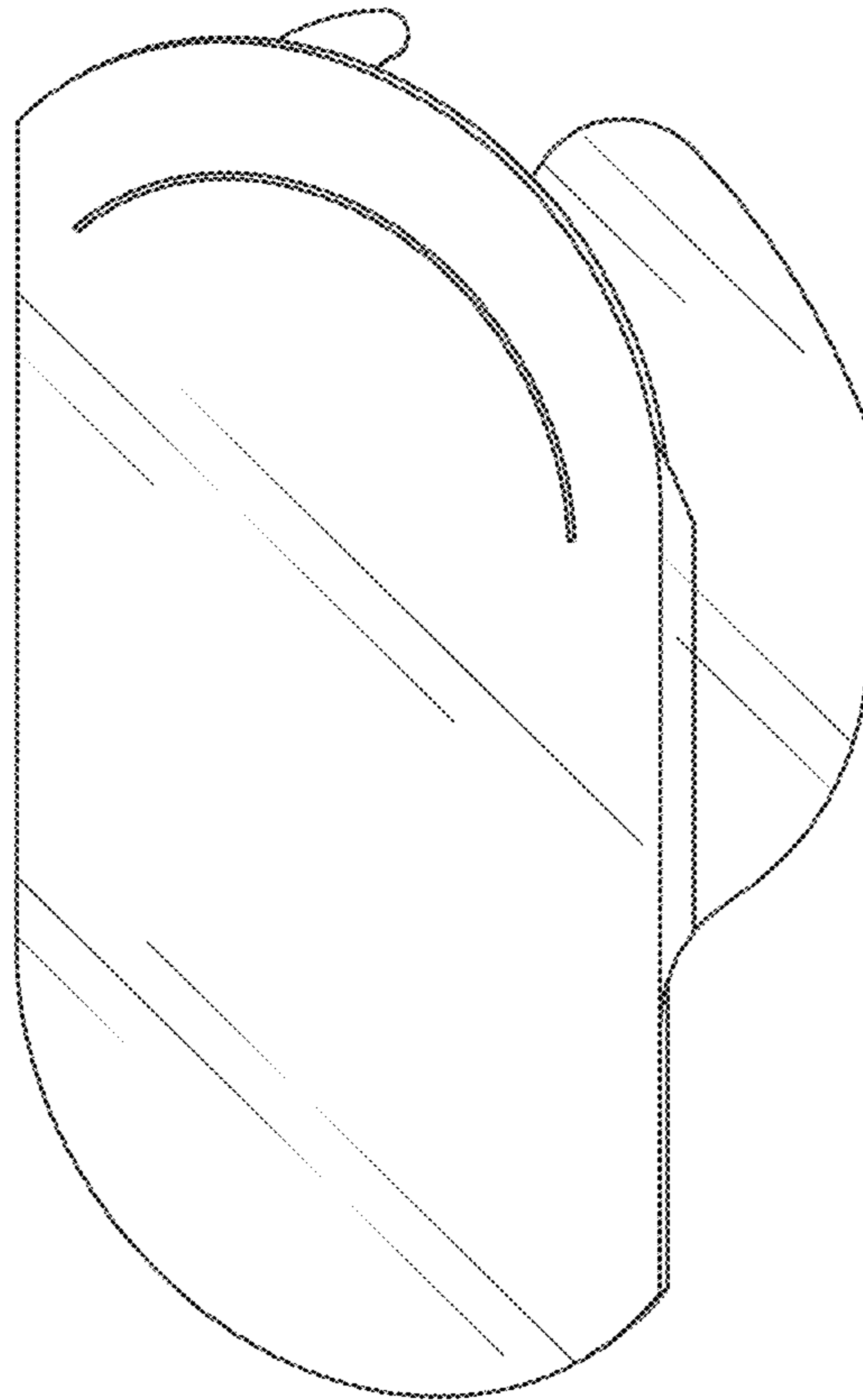


FIG. 9

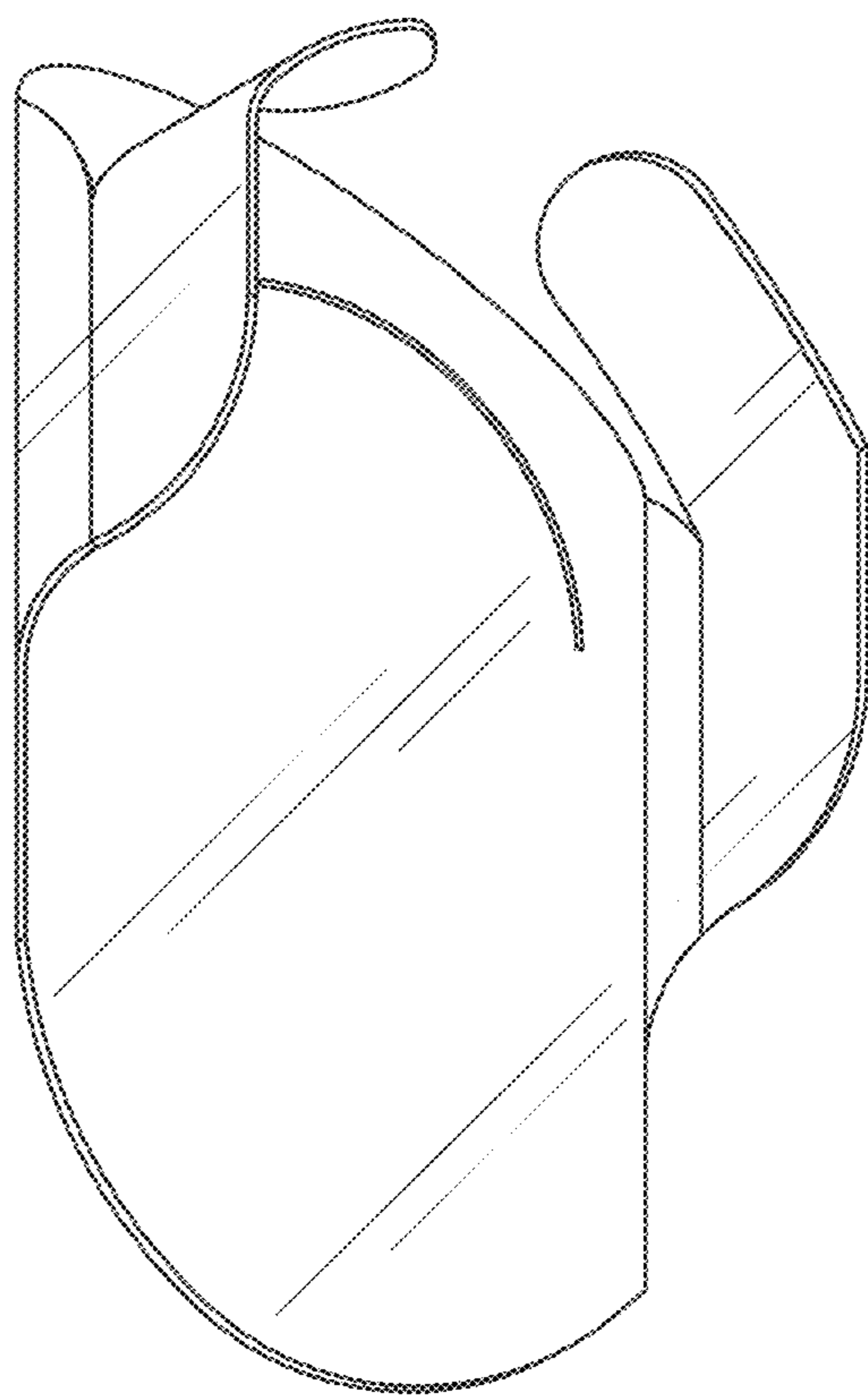


FIG. 10

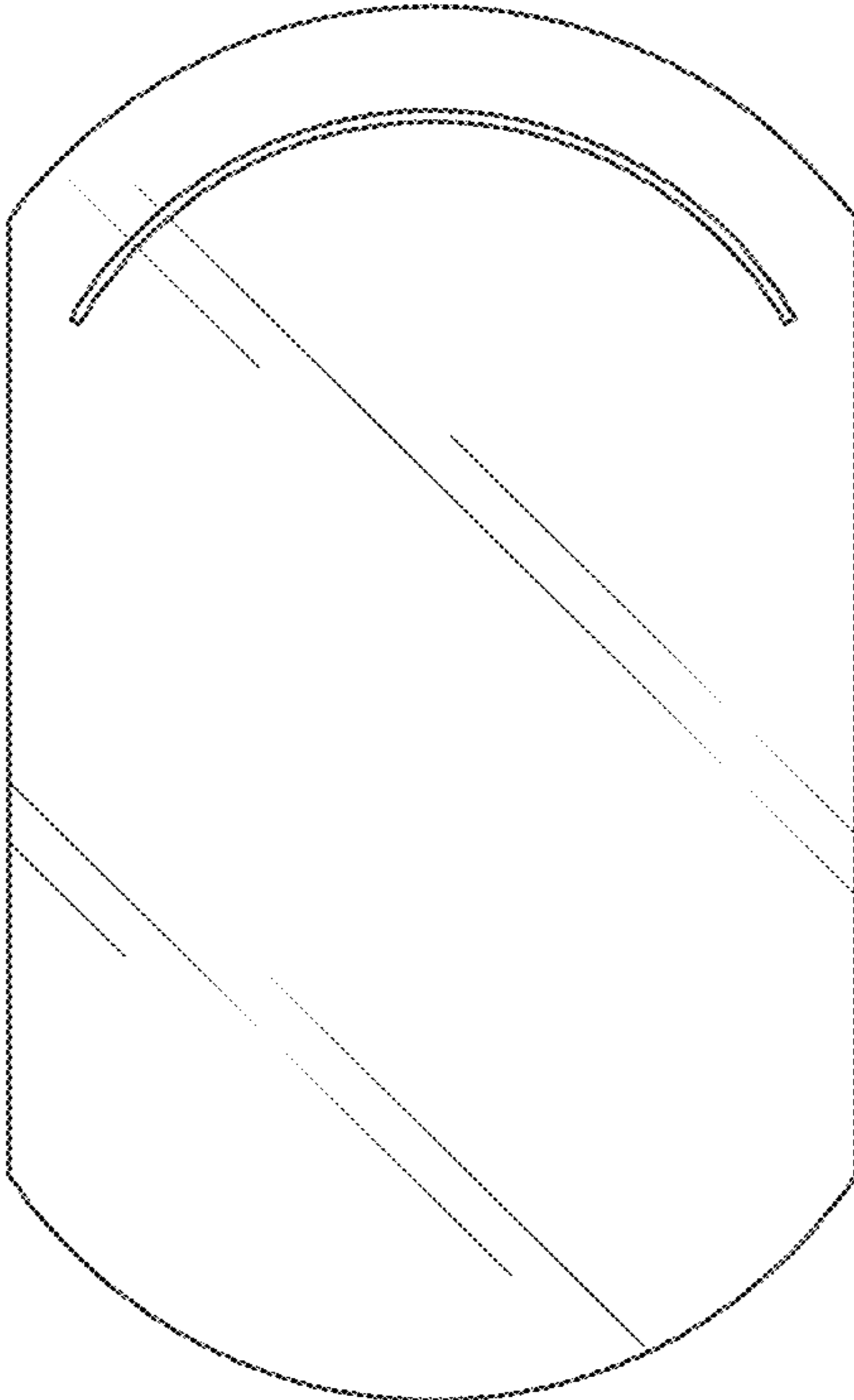


FIG. 11

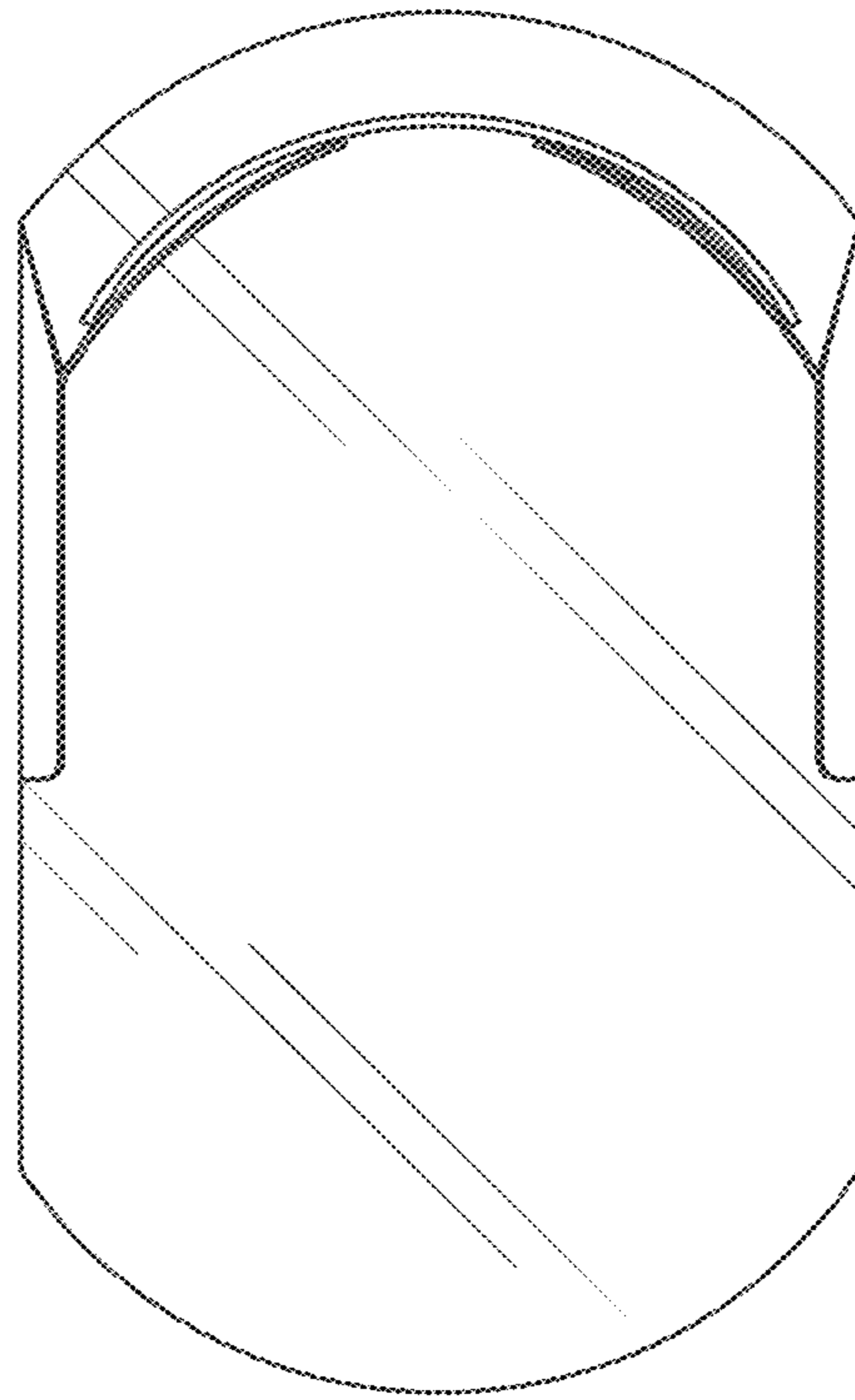


FIG. 12

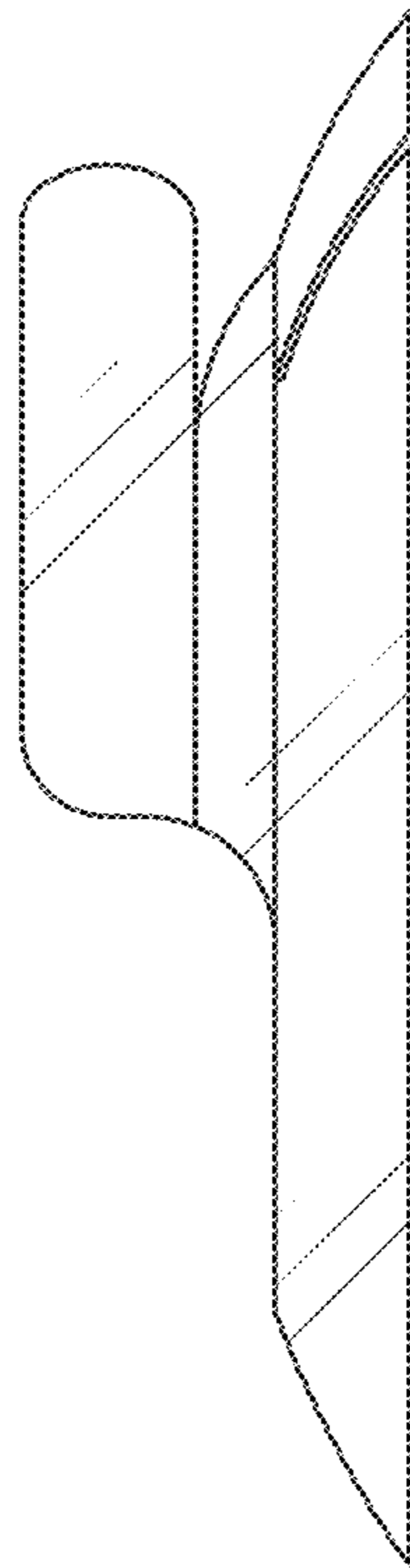


FIG. 13

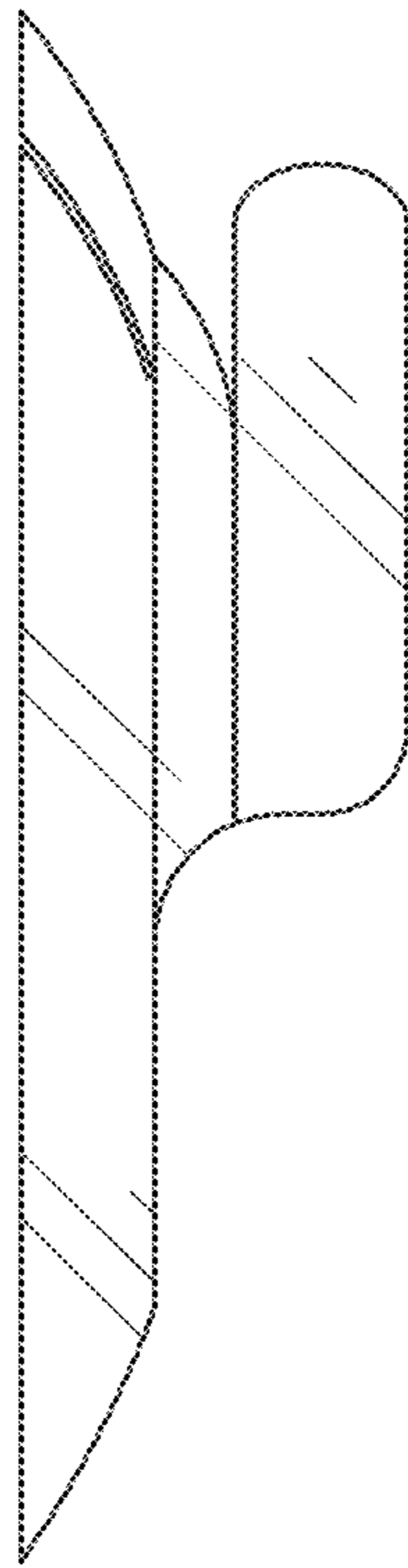


FIG. 14

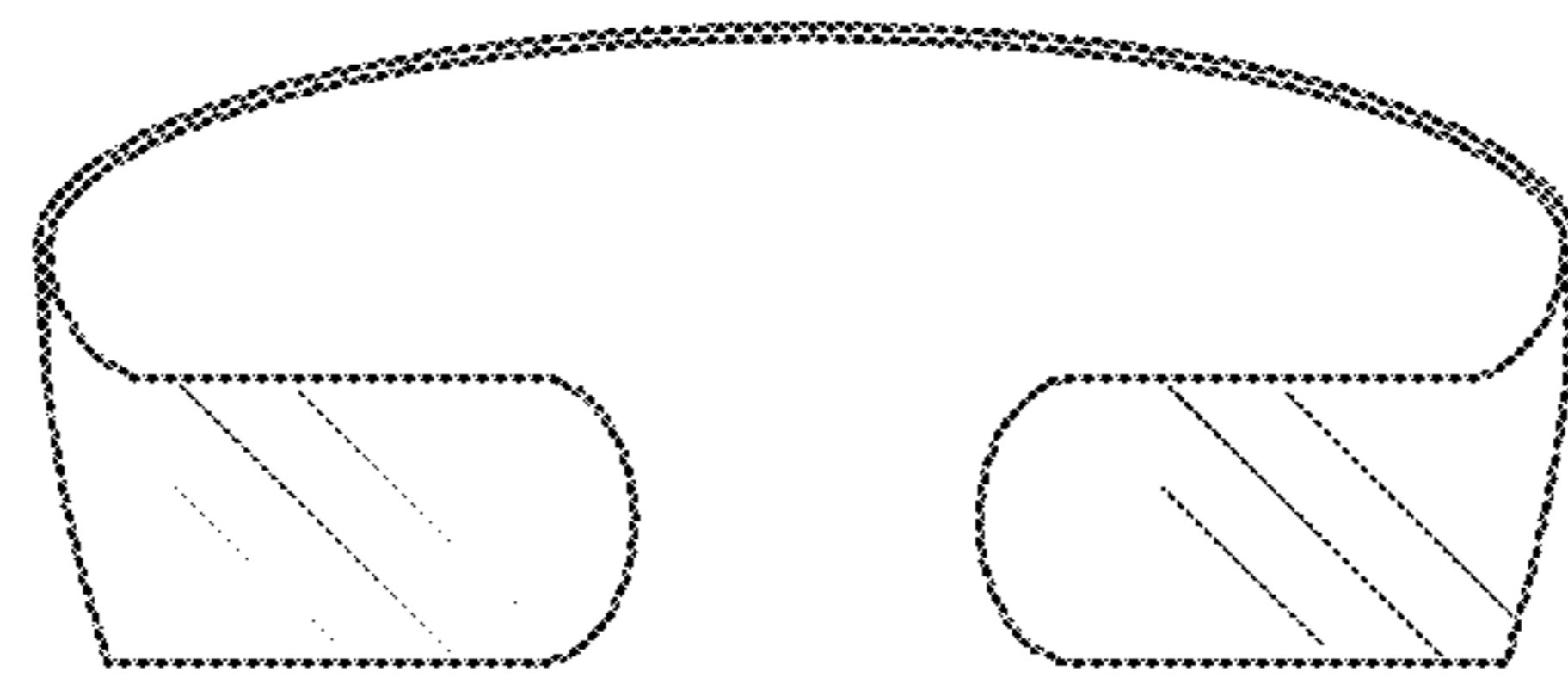


FIG. 15

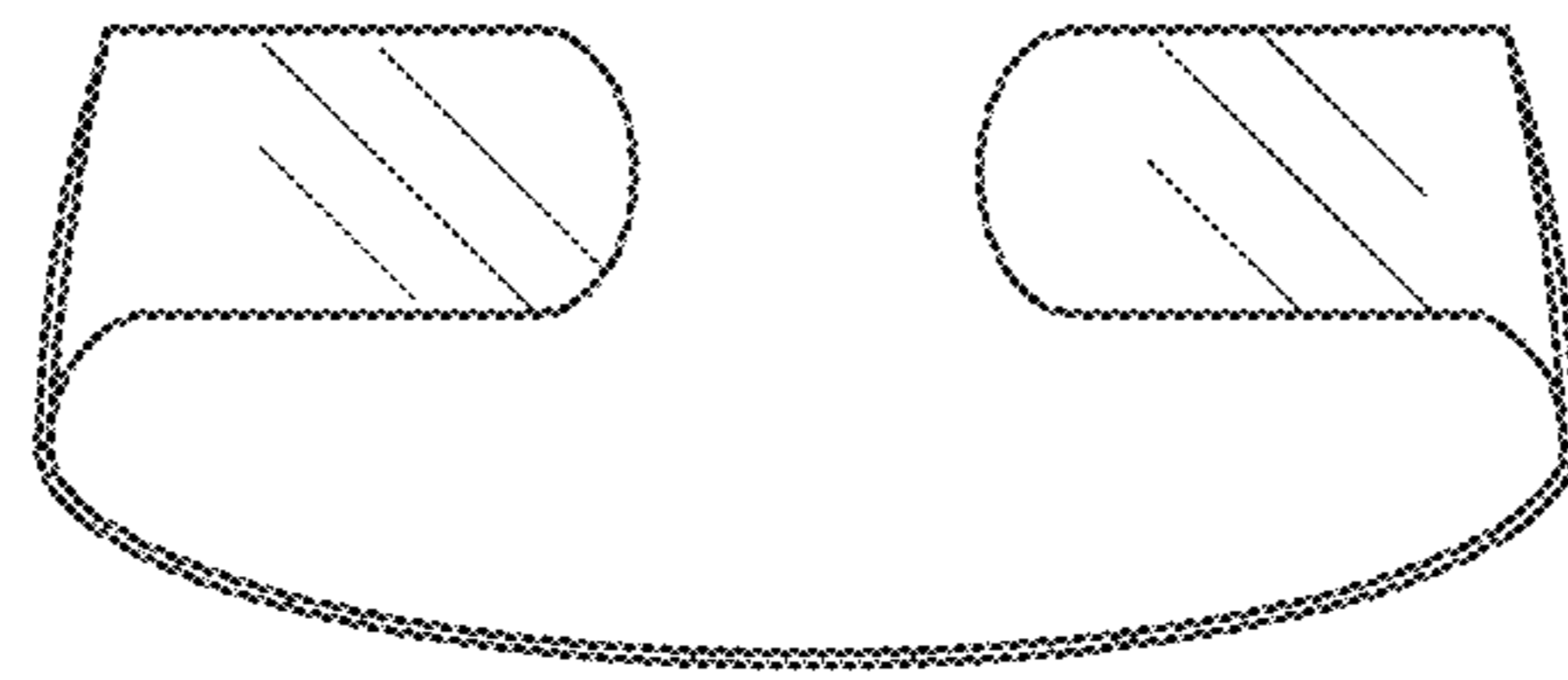


FIG. 16

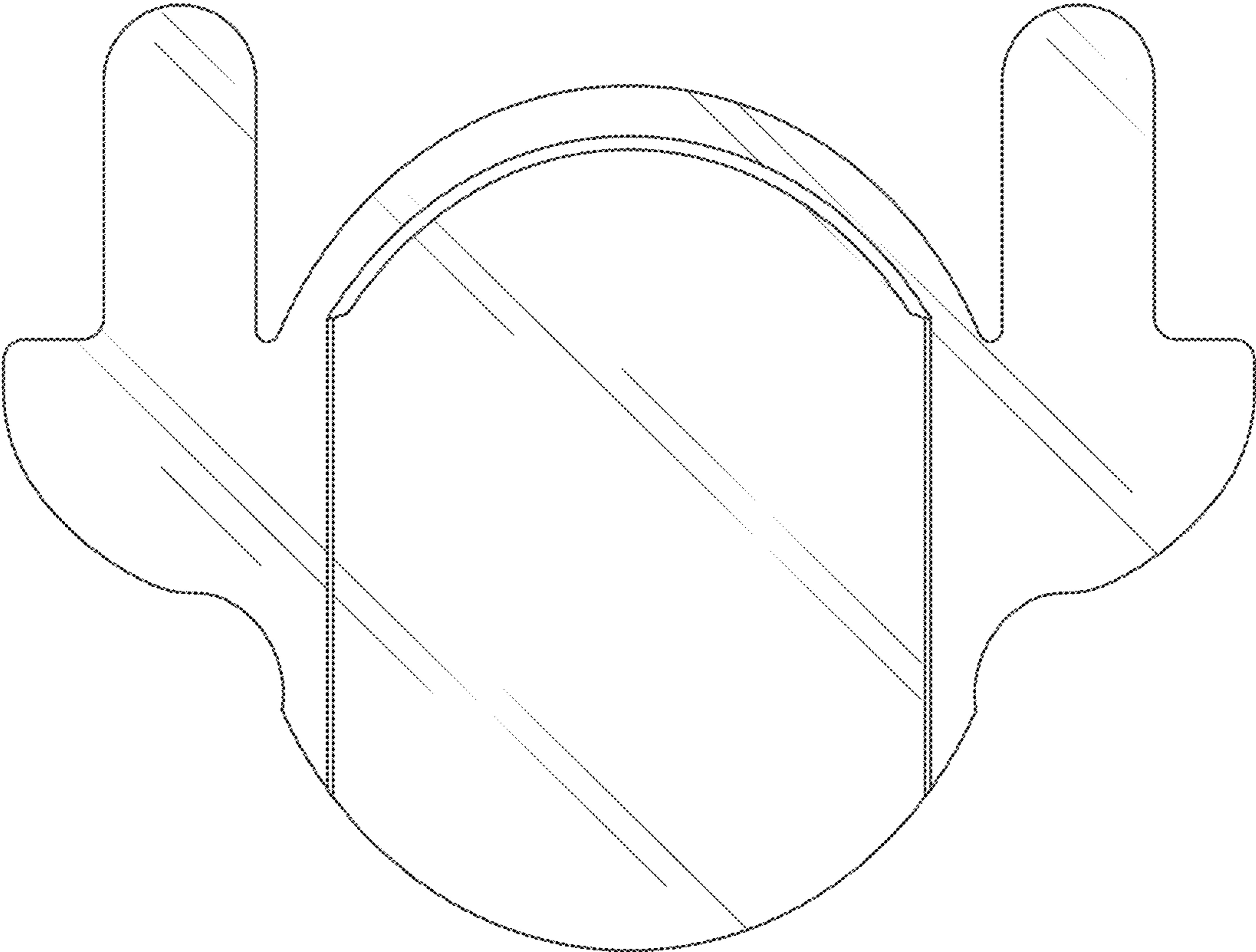


FIG. 17