



US00D907298S

(12) **United States Design Patent**
Williams

(10) **Patent No.:** **US D907,298 S**
(45) **Date of Patent:** **** Jan. 5, 2021**

(54) **WIG STAND**

(71) Applicant: **Anita Williams**, Memphis, TN (US)

(72) Inventor: **Anita Williams**, Memphis, TN (US)

(**) Term: **15 Years**

(21) Appl. No.: **29/699,090**

(22) Filed: **Jul. 23, 2019**

(51) **LOC (13) Cl.** **28-04**

(52) **U.S. Cl.**
USPC **D28/93**

(58) **Field of Classification Search**
USPC D28/93; D20/10; D6/462, 682.1
CPC A45D 44/14; A47F 7/06
See application file for complete search history.

(56) **References Cited**

U.S. PATENT DOCUMENTS

3,479,106	A *	11/1969	Bohannon	A47F 7/065
					312/351
3,503,581	A *	3/1970	Rouleau	A45D 44/14
					248/121
3,515,318	A *	6/1970	Preble	A45D 44/14
					223/66
3,602,372	A *	8/1971	Verrecchio	A47F 7/065
					211/100
D284,120	S *	6/1986	Chao	D28/93
5,503,312	A *	4/1996	Kassner	A47F 7/065
					211/182

D649,714	S *	11/2011	Key	D28/93
D719,769	S *	12/2014	Daniels	D6/682.1
8,950,591	B1 *	2/2015	McDowell	A45D 44/14
					211/13.1
2015/0230589	A1 *	8/2015	Davidson	A41G 3/0041
					223/66
2019/0166969	A1 *	6/2019	Brownlee	F26B 25/066
2020/0029640	A1 *	1/2020	Adams	A45D 44/02

* cited by examiner

Primary Examiner — Zenia I Bennett

(74) *Attorney, Agent, or Firm* — Hulsey P.C.

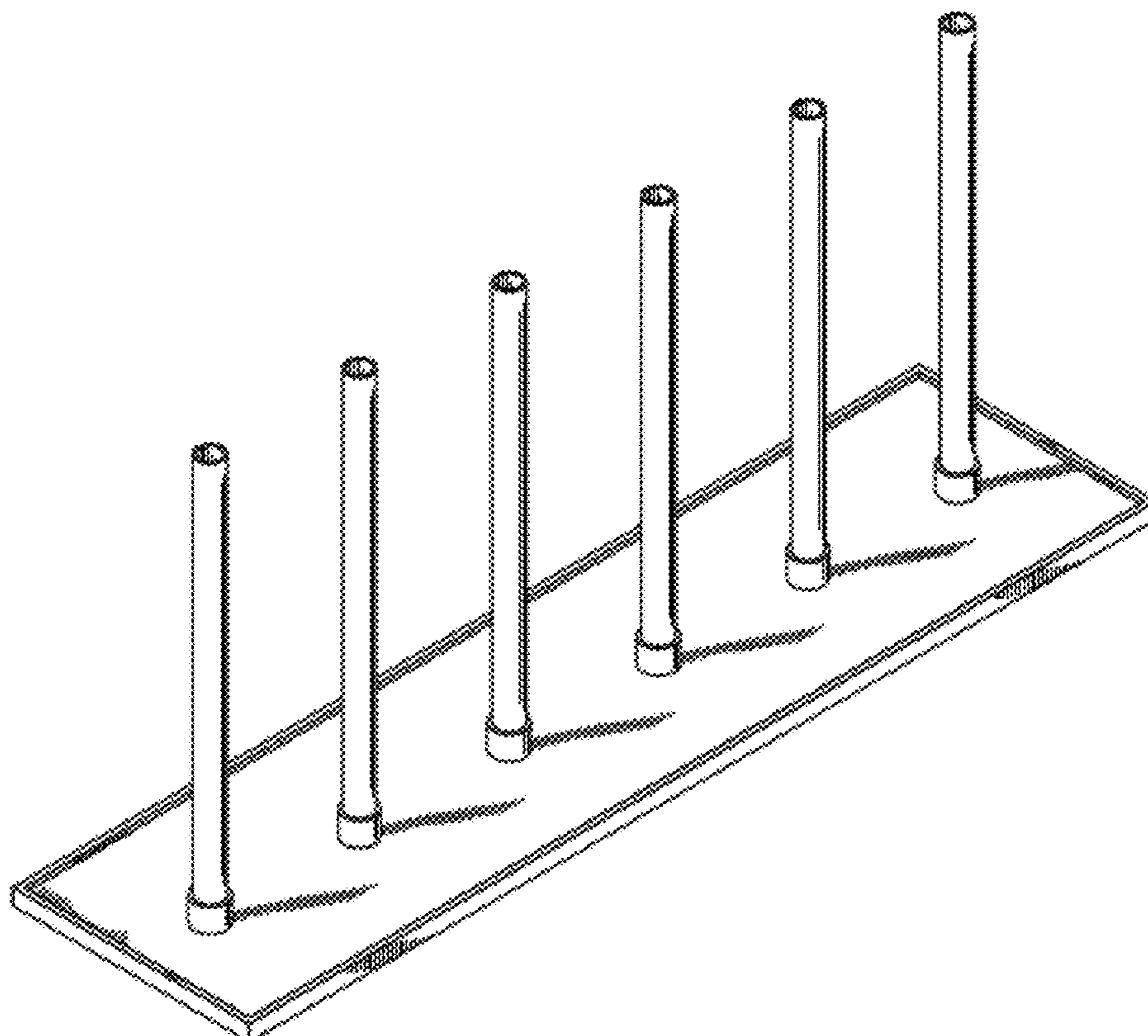
(57) **CLAIM**

The ornamental design for a wig stand, as shown and described.

DESCRIPTION

FIG. 1 is a perspective view of a wig stand incorporating our new design;
 FIG. 2 is a front planar side view thereof;
 FIG. 3 is a rear planar view thereof;
 FIG. 4 is a left side planar view thereof;
 FIG. 5 is a right side planar view thereof;
 FIG. 6 is a top down planar view thereof;
 FIG. 7 is a bottom up planar view thereof; and,
 FIG. 8 is a one-quarter elevational view thereof showing our new design in use.
 The features of the wig stand shown in phantom lines are not elements of the design of our new invention.

1 Claim, 3 Drawing Sheets



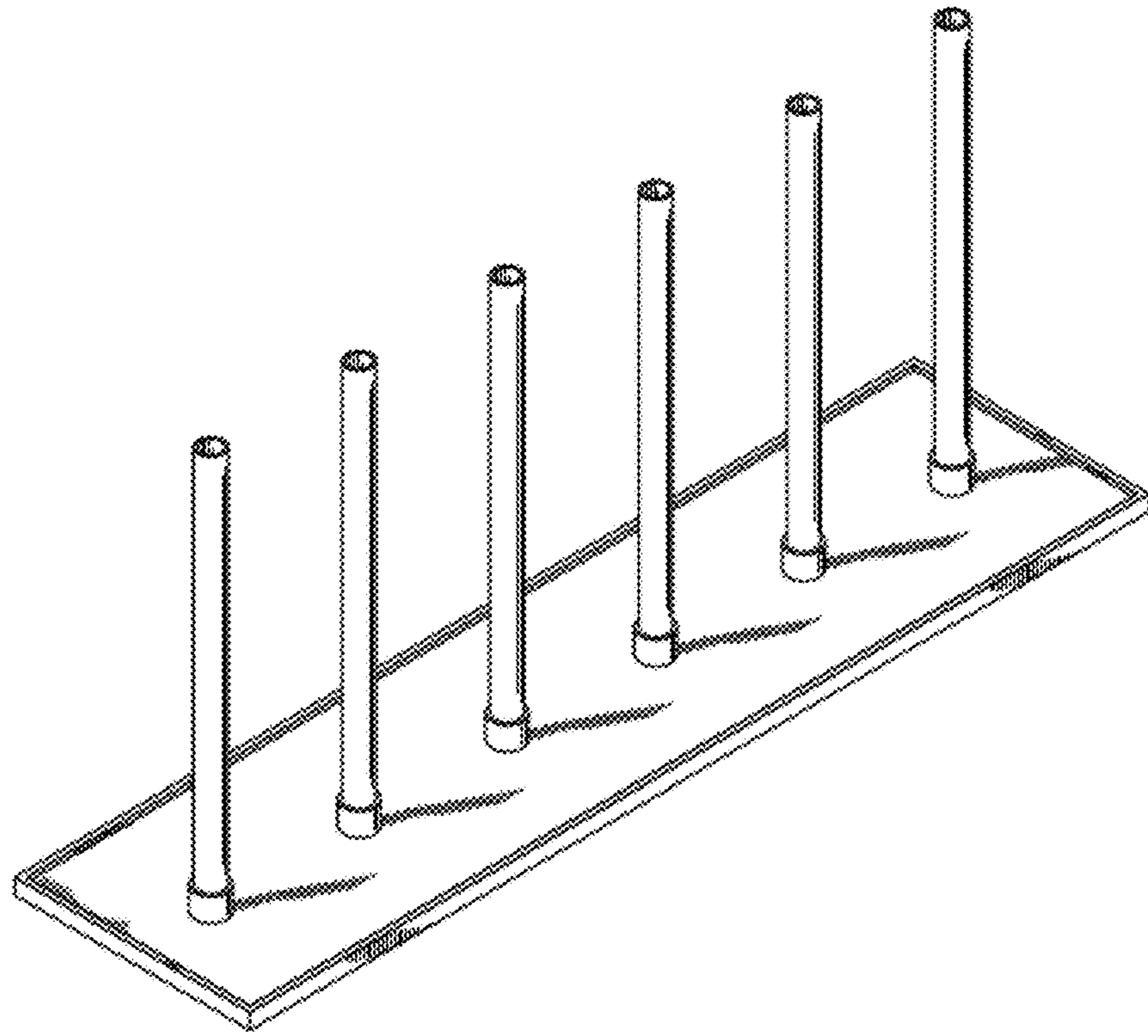


FIG. 1

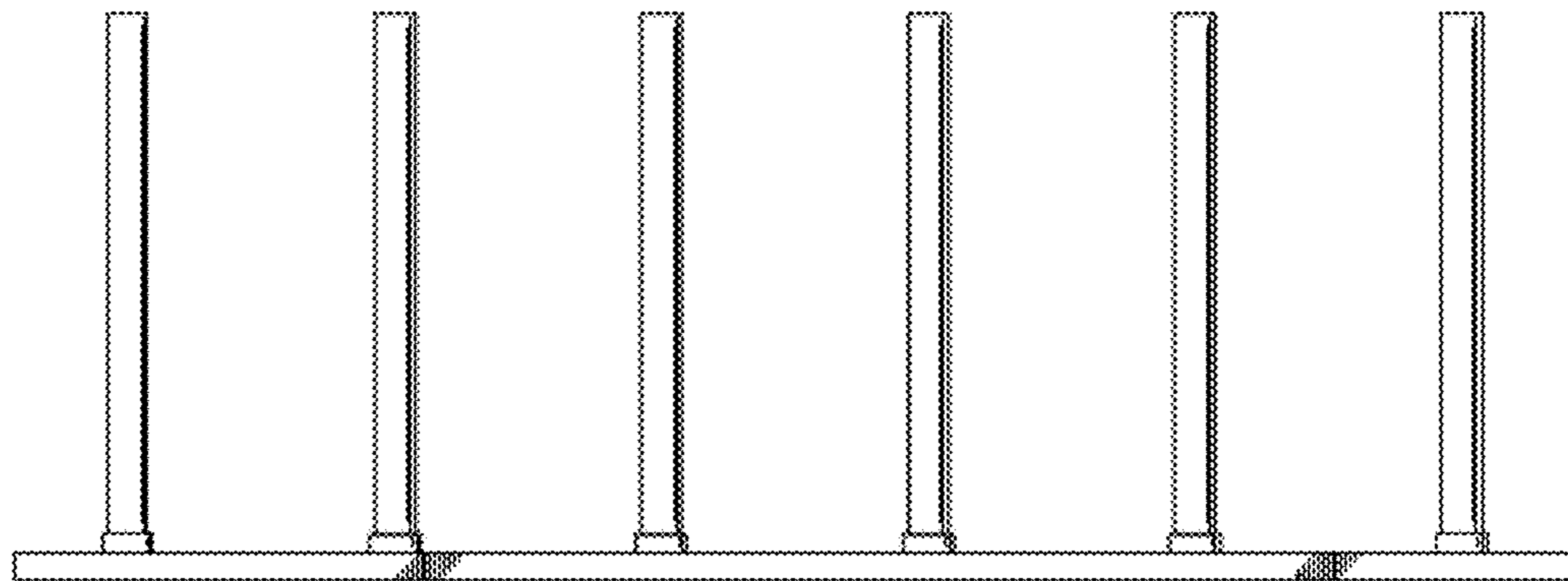


FIG. 2

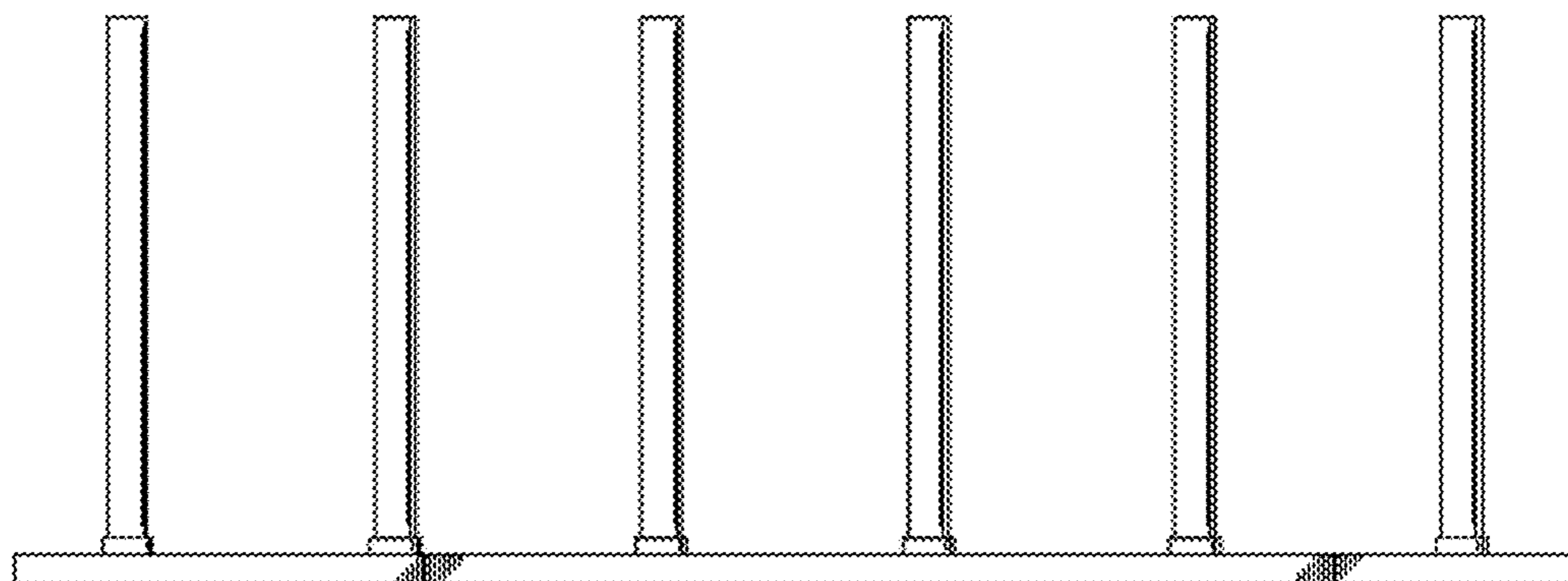


FIG. 3

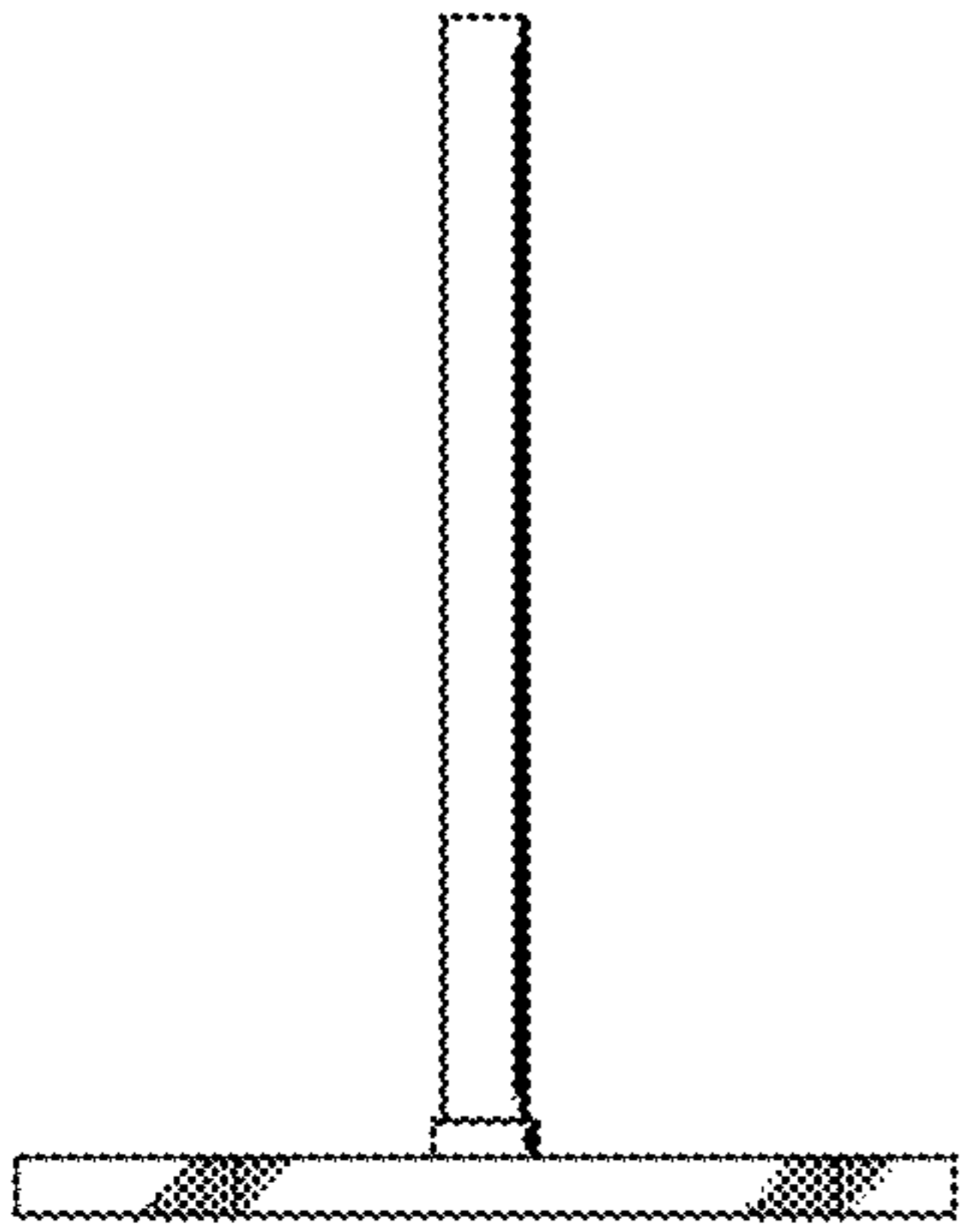


FIG. 4

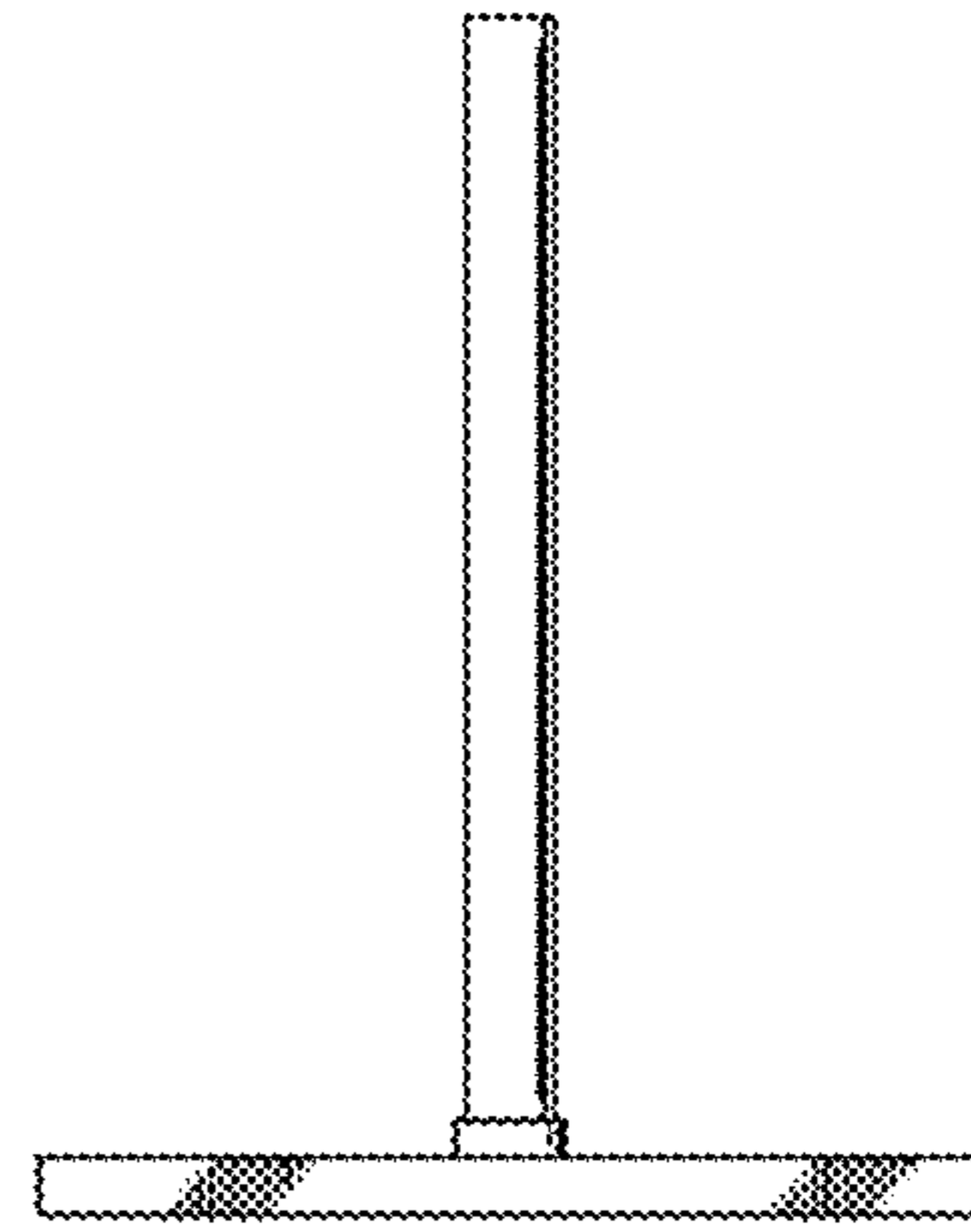


FIG. 5

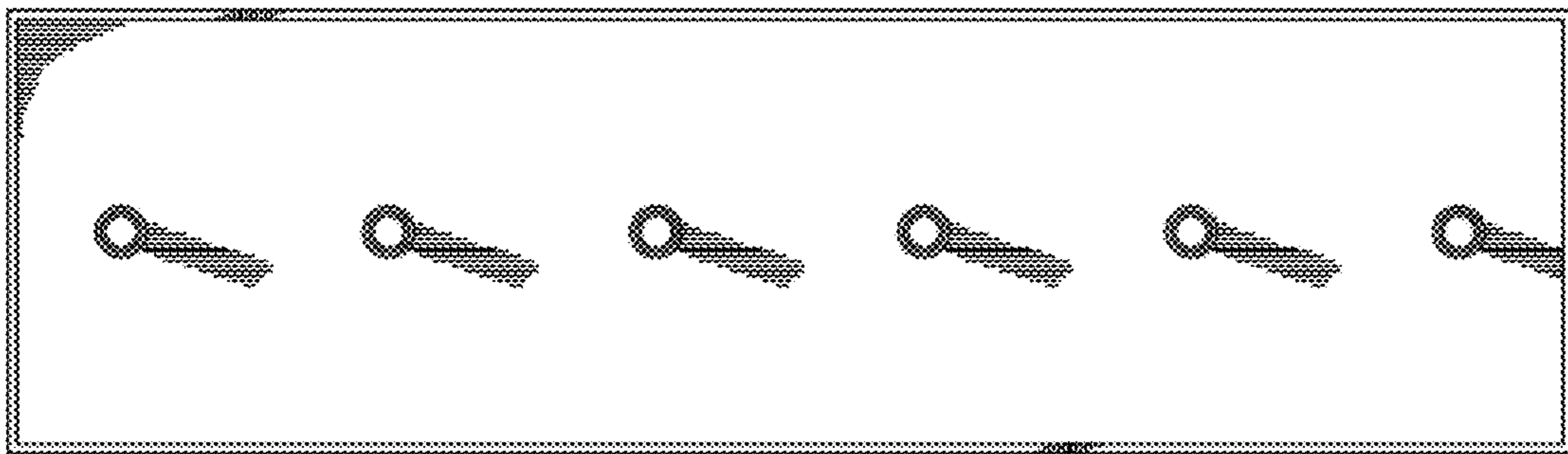


FIG. 6

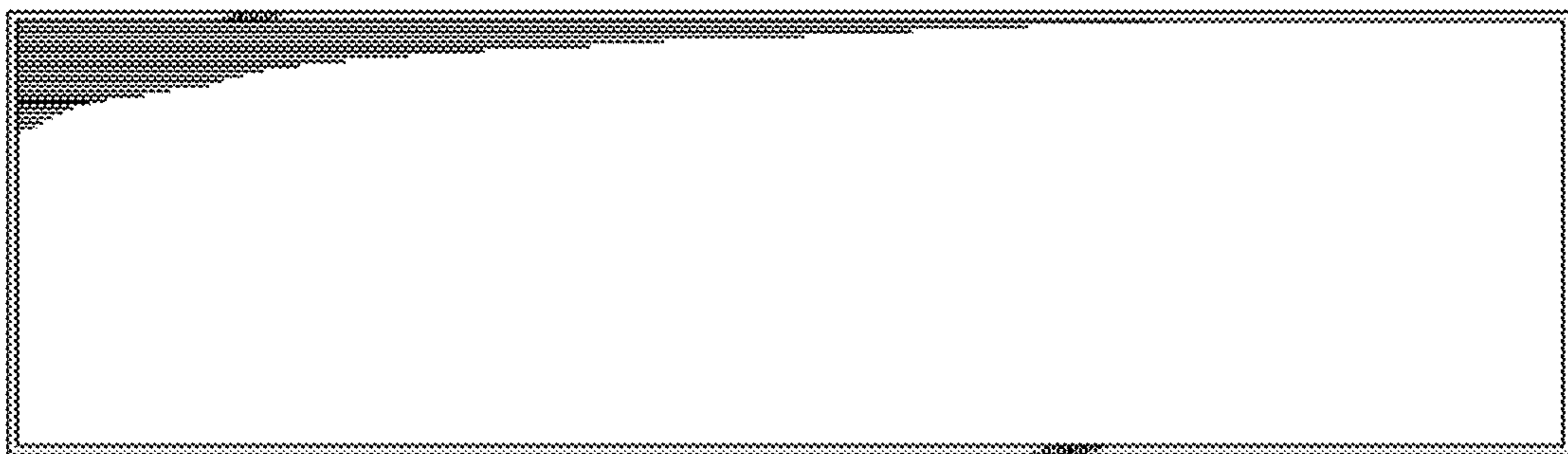


FIG. 7

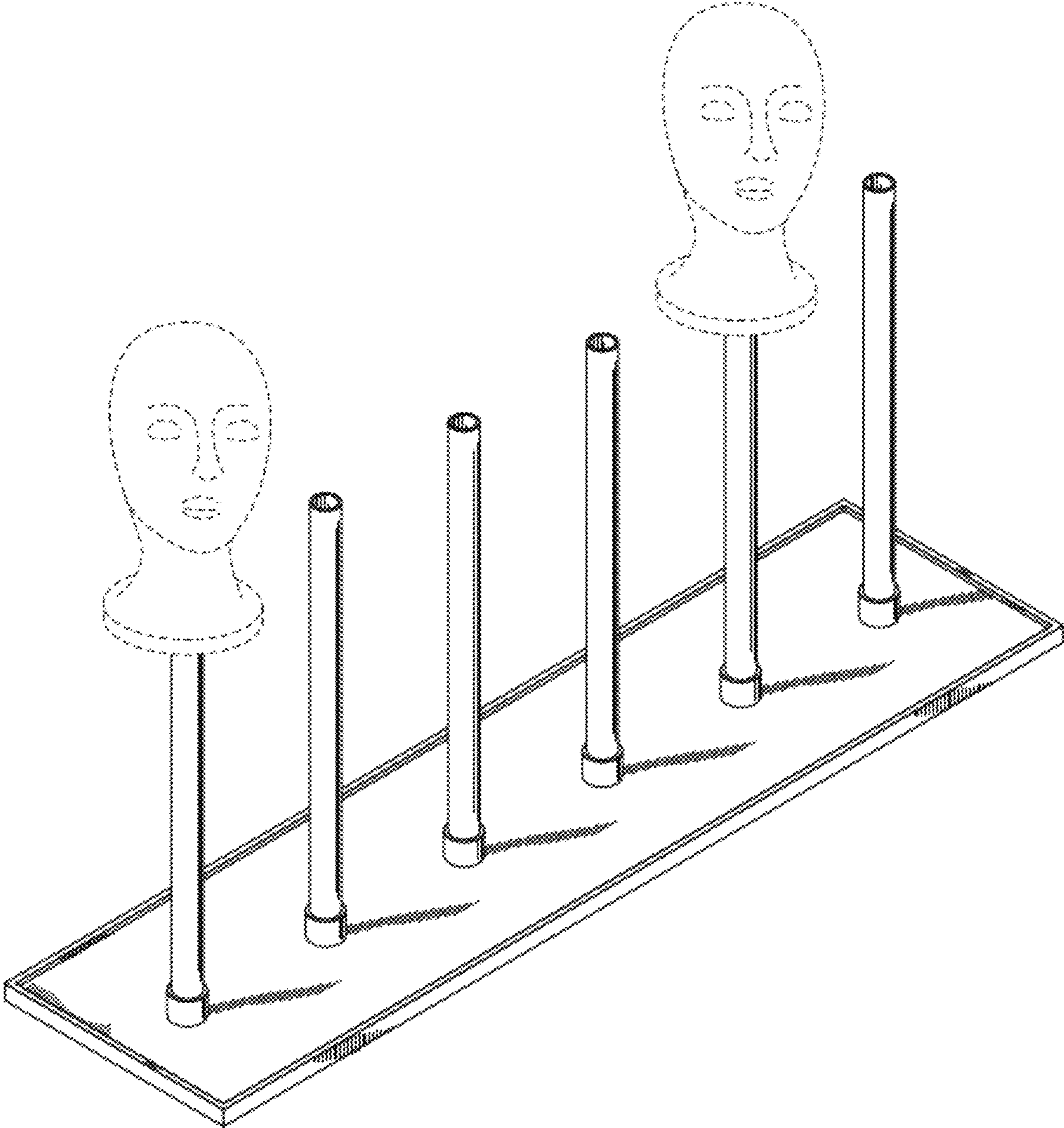


FIG. 8