



US00D907295S

(12) **United States Design Patent** (10) **Patent No.:** **US D907,295 S**
Baek (45) **Date of Patent:** **** Jan. 5, 2021**

(54) **COSMETIC CARTON**
(71) Applicant: **Kwanghyun Baek**, Fullerton, CA (US)
(72) Inventor: **Kwanghyun Baek**, Fullerton, CA (US)
(**) Term: **15 Years**
(21) Appl. No.: **29/694,936**

(22) Filed: **Jun. 14, 2019**
(51) **LOC (13) Cl.** **28-03**
(52) **U.S. Cl.**
USPC **D28/76; D9/431**
(58) **Field of Classification Search**
USPC D28/36, 64.1, 76-84, 85-91, 99;
D9/414, 430-433, 435, 503-505, 691,
D9/707, 709, 722, 737, 756, 759, 529;
D3/295; D19/103, 106, 112
CPC A45D 33/006; A45D 33/003; A45D
33/04-33; A45D 33/025; A45D 33/02;
A45D 33/20; A45D 33/22; A45D 33/24;
A45D 33/26; A45D 33/28; A45D 33/18;
A45D 40/22; A45D 40/222; A45D 40/24;
A41G 5/02
See application file for complete search history.

(56) **References Cited**

U.S. PATENT DOCUMENTS

D477,896 S * 7/2003 Weiss D28/85
D525,121 S * 7/2006 Katsuyama D9/431
D558,050 S * 12/2007 Urcun D9/529

D597,832 S * 8/2009 Bischoff D9/431
D630,092 S * 1/2011 Roveda D9/431
D633,787 S * 3/2011 Vinseiro D9/431
D637,485 S * 5/2011 Blomberg D9/431
D683,214 S * 5/2013 McAdam D9/433
D712,594 S * 9/2014 Heilman D28/76
D753,993 S * 4/2016 Simmons D9/430
D756,036 S * 5/2016 Heilman D28/76
D788,579 S * 6/2017 Ogdon D9/431
2008/0265009 A1* 10/2008 Katoh G03G 15/0874
229/117.16
2018/0370203 A1* 12/2018 Longo A45D 40/00

* cited by examiner

Primary Examiner — Jennifer Rivard
Assistant Examiner — Alison M Ofstun

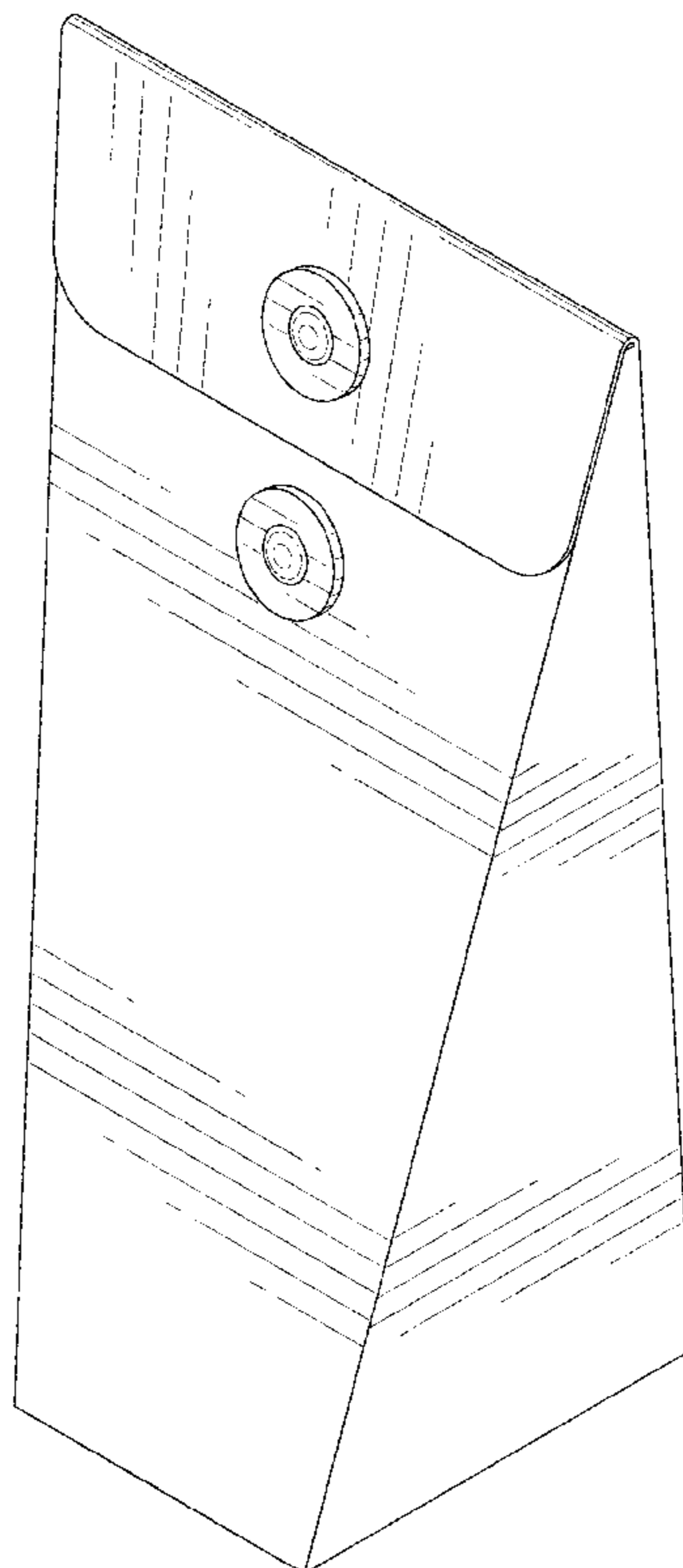
(57) **CLAIM**

The ornamental design for a cosmetic carton, as shown and described.

DESCRIPTION

FIG. 1 is a top front perspective view of a cosmetic carton showing my new design;
FIG. 2 is a bottom front perspective view thereof;
FIG. 3 is a top rear perspective view thereof;
FIG. 4 is a bottom rear perspective view thereof;
FIG. 5 is a front view thereof;
FIG. 6 is a rear view thereof;
FIG. 7 is a right side view thereof;
FIG. 8 is a left side view thereof;
FIG. 9 is a top view thereof; and,
FIG. 10 is a bottom view thereof.

1 Claim, 10 Drawing Sheets



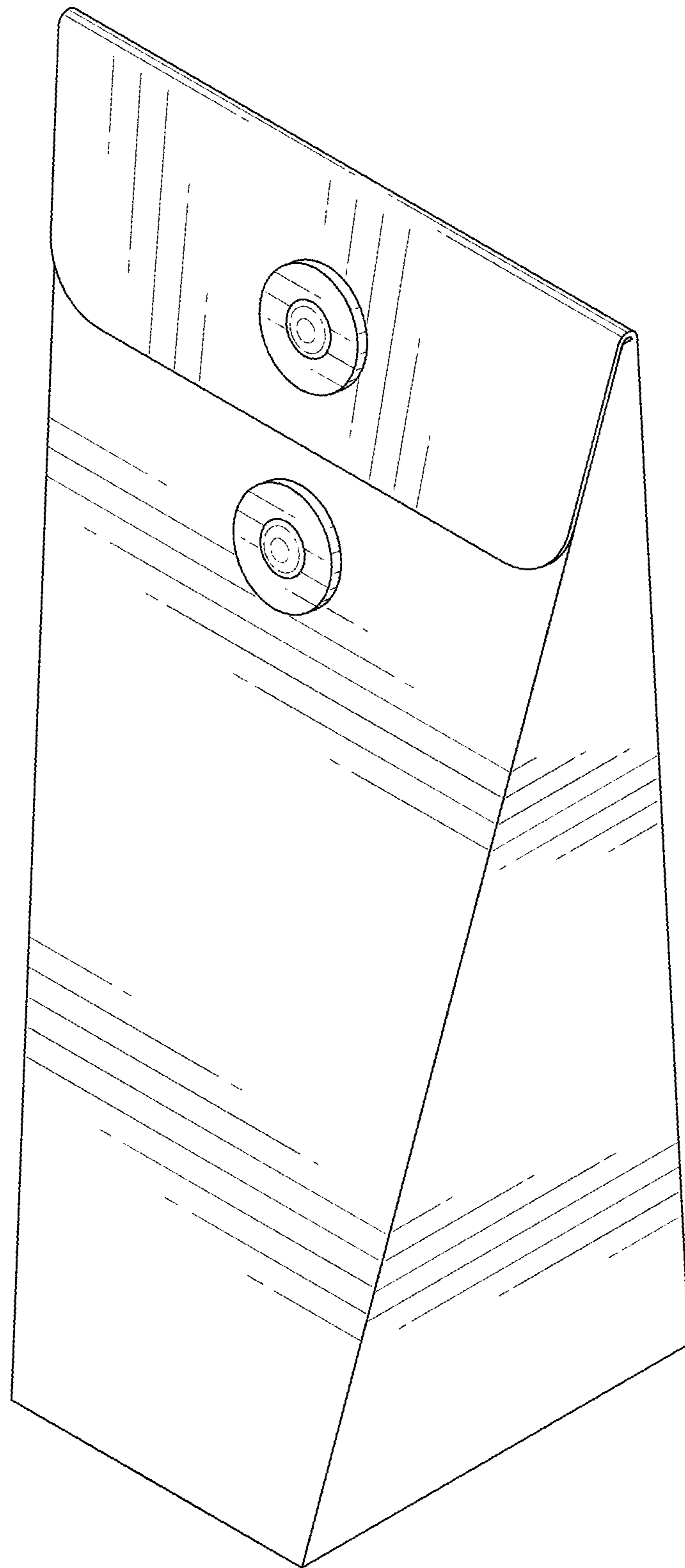


FIG 1

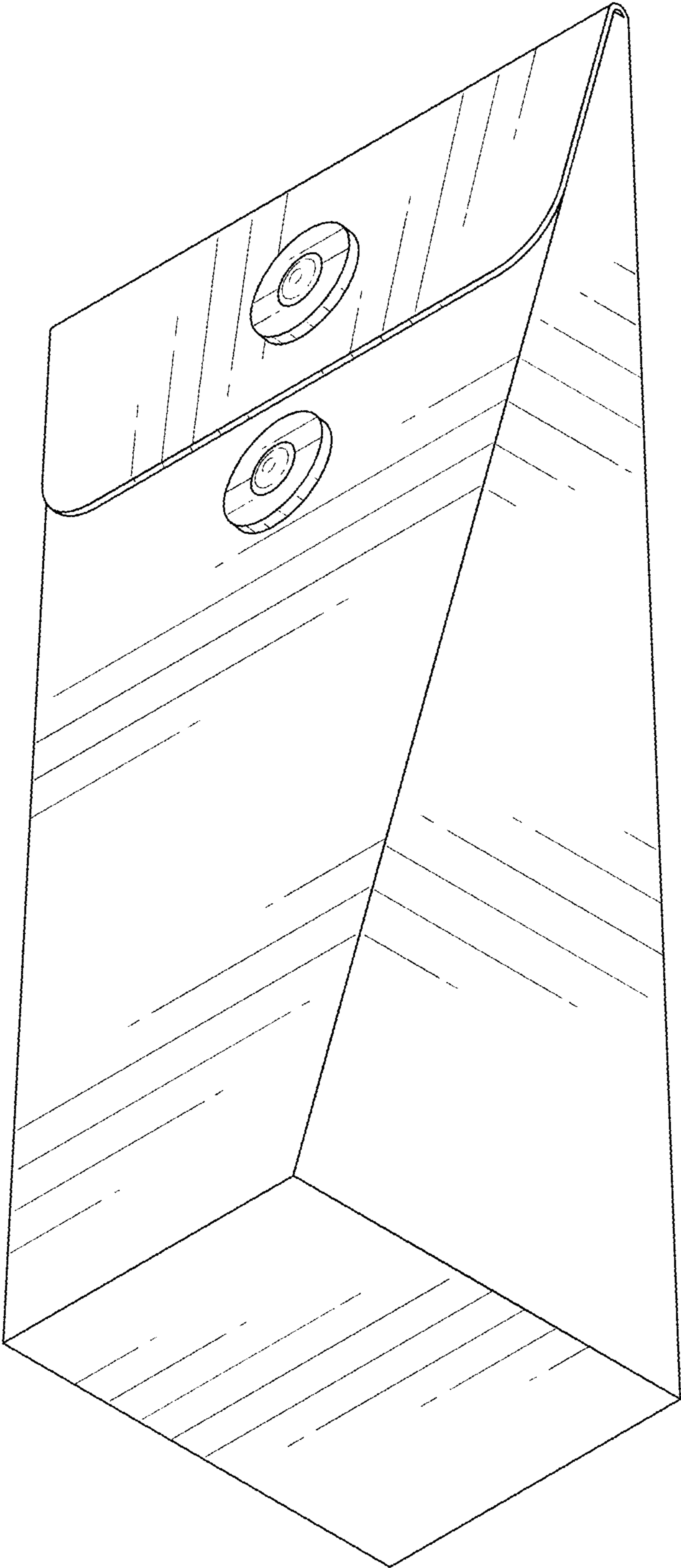


FIG 2

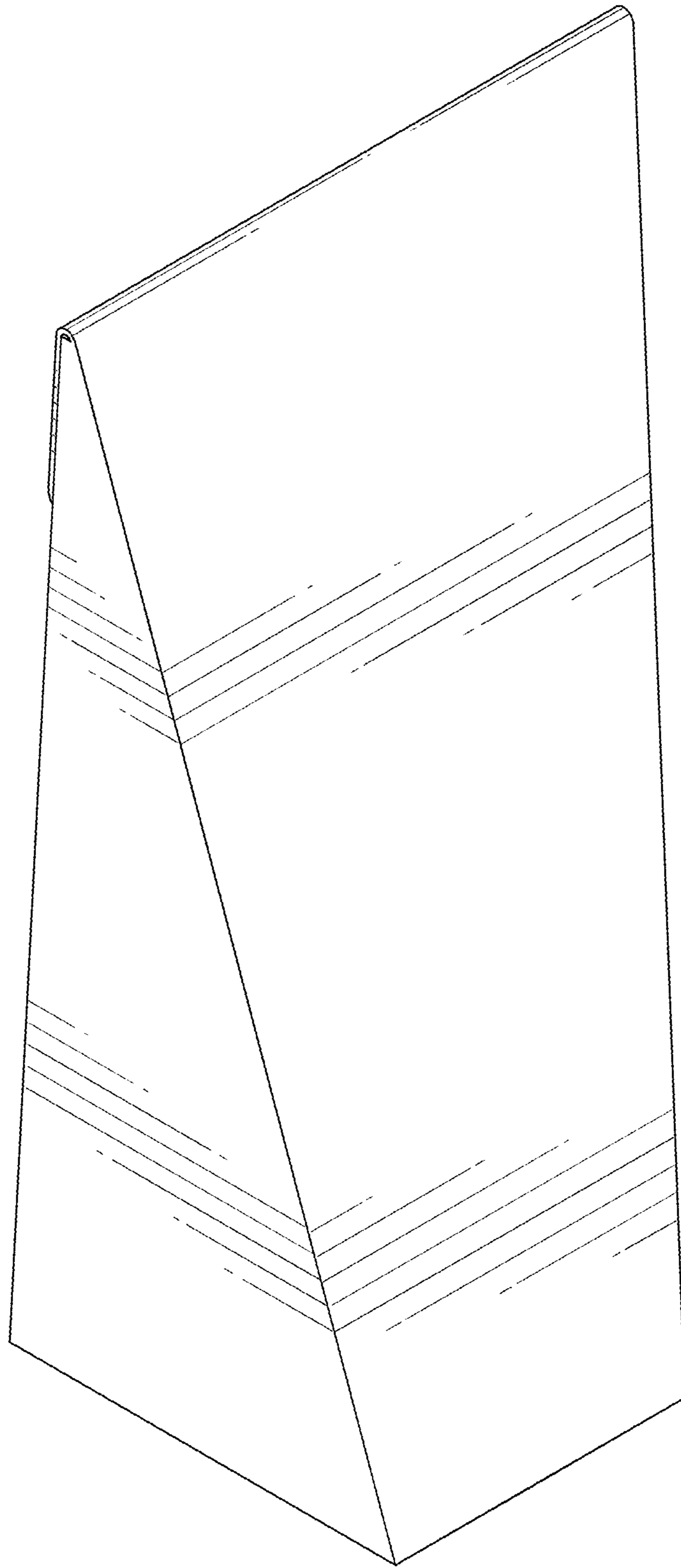


FIG 3

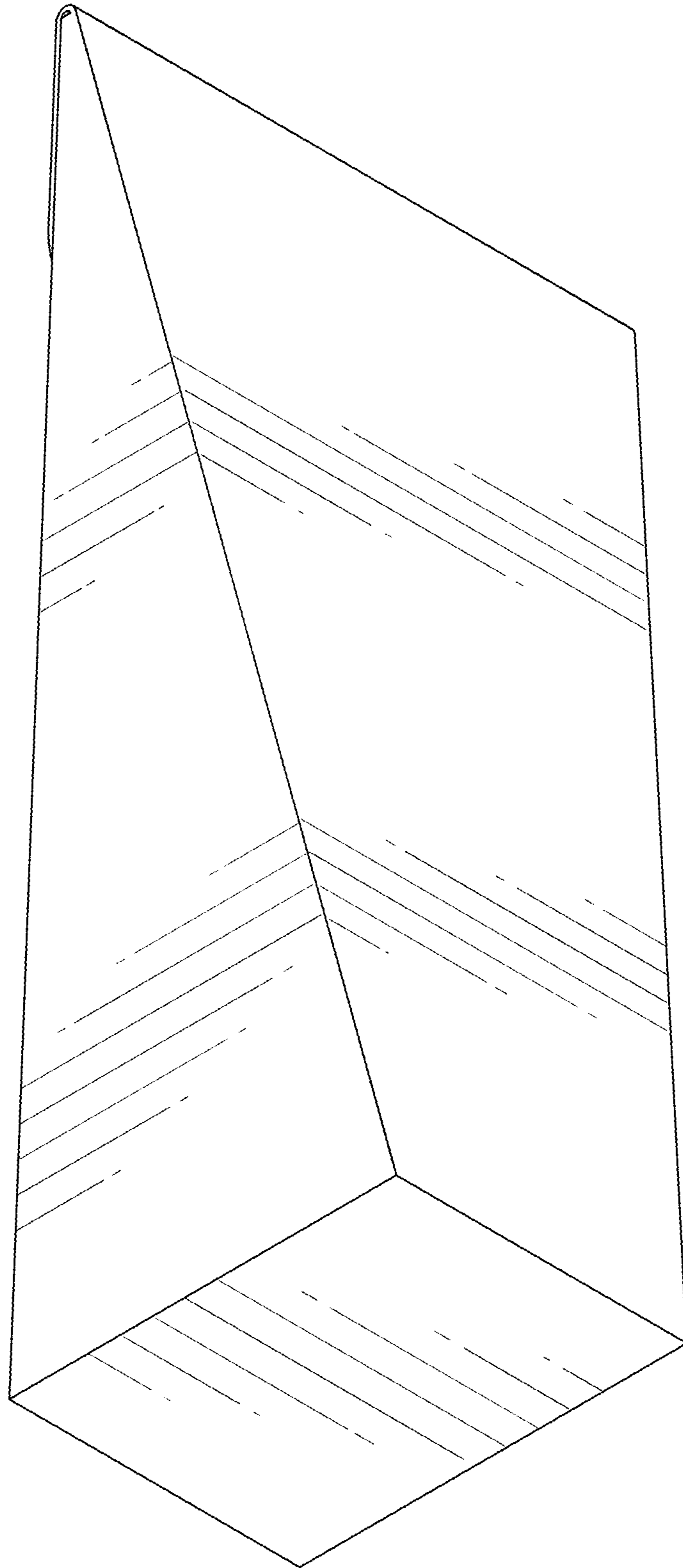


FIG 4

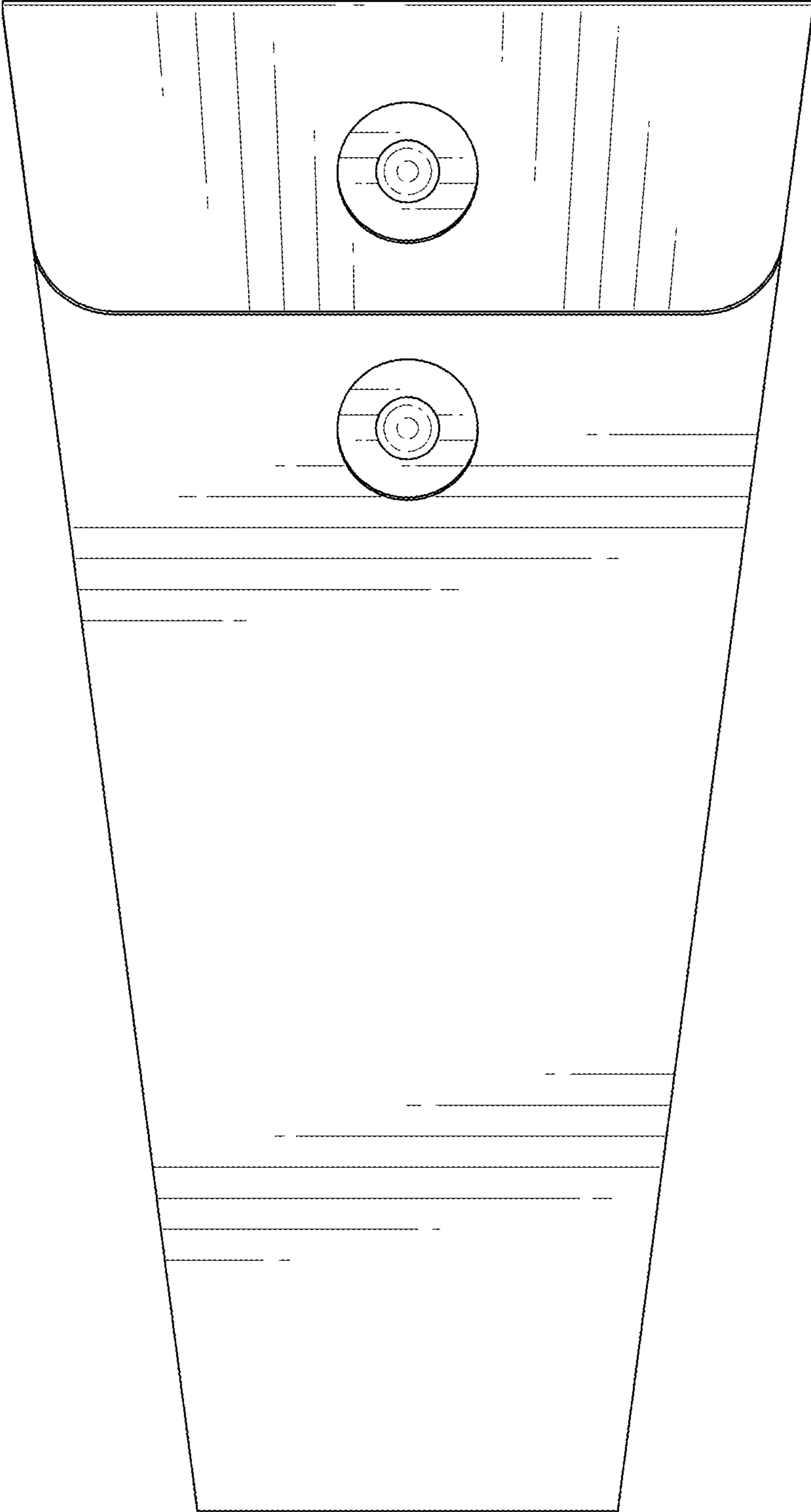


FIG 5

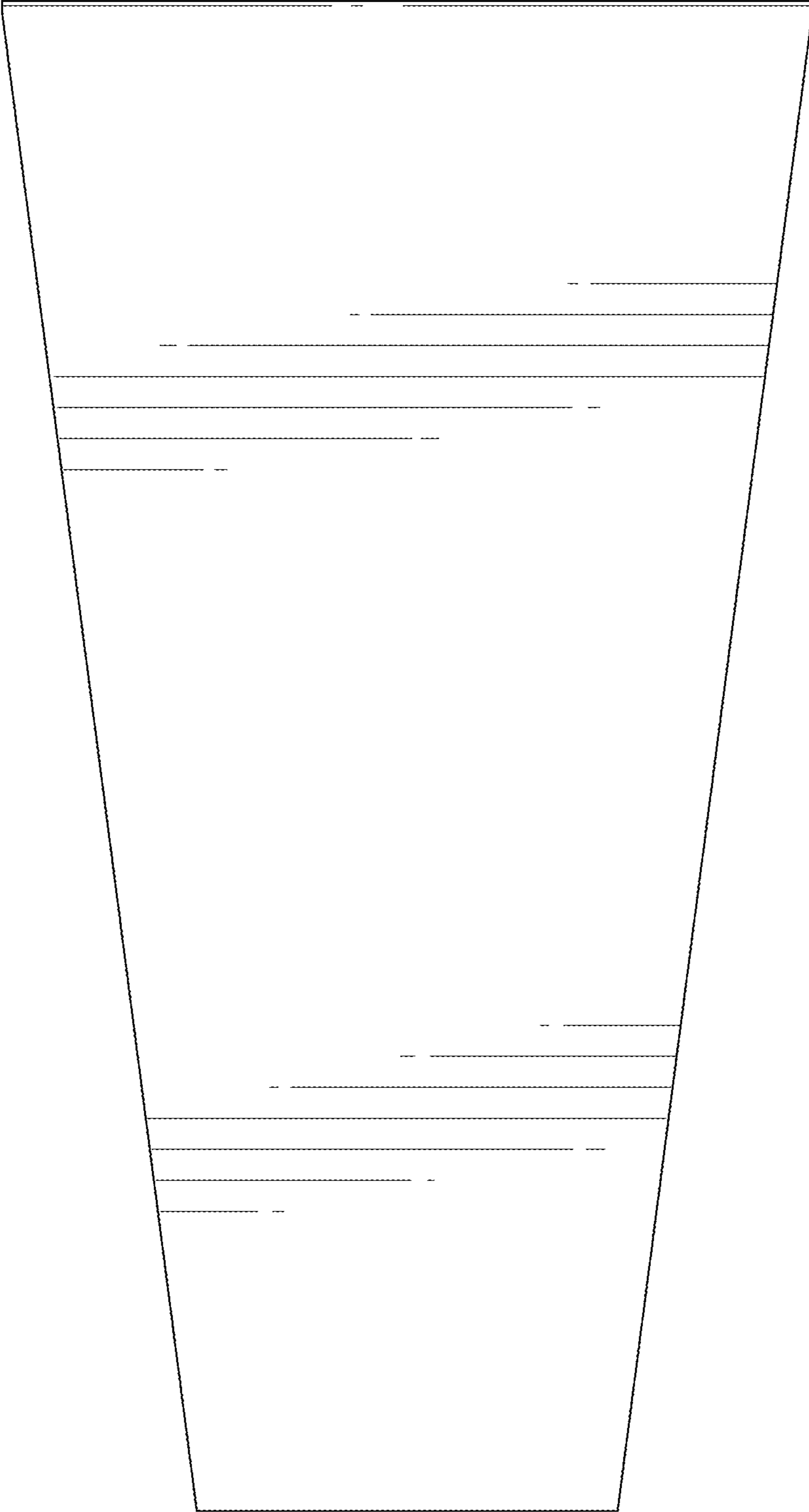


FIG 6

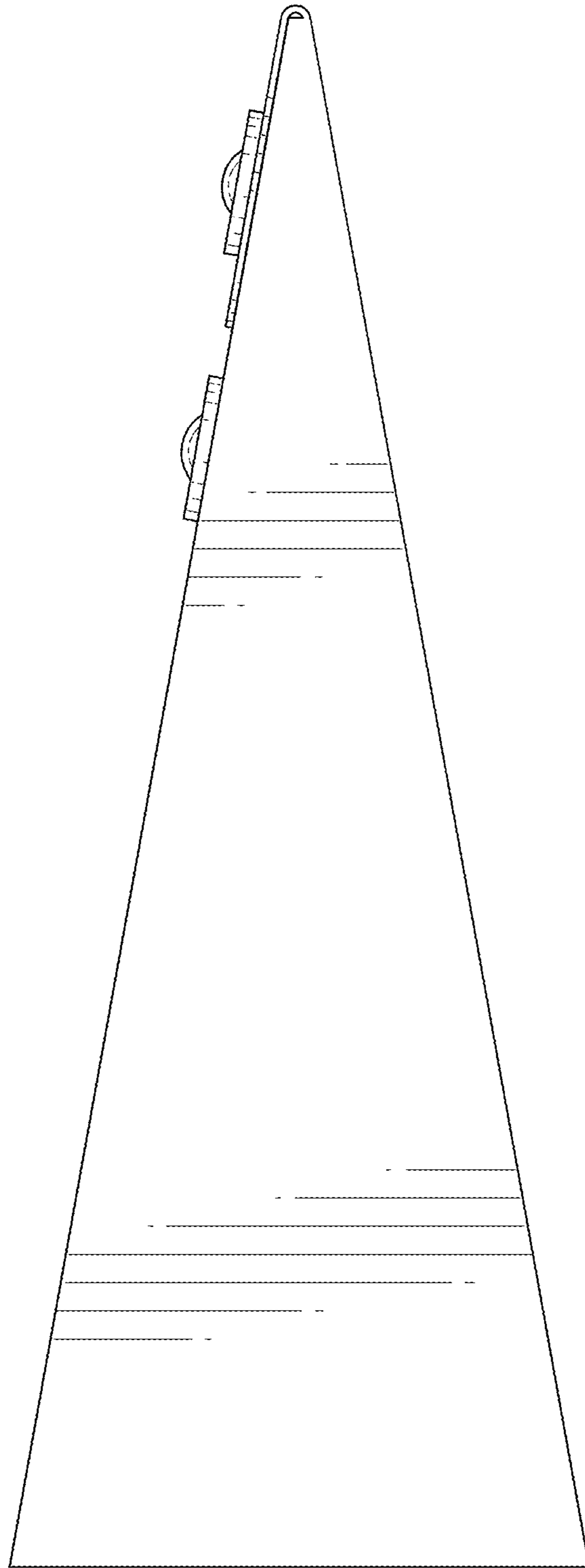


FIG 7

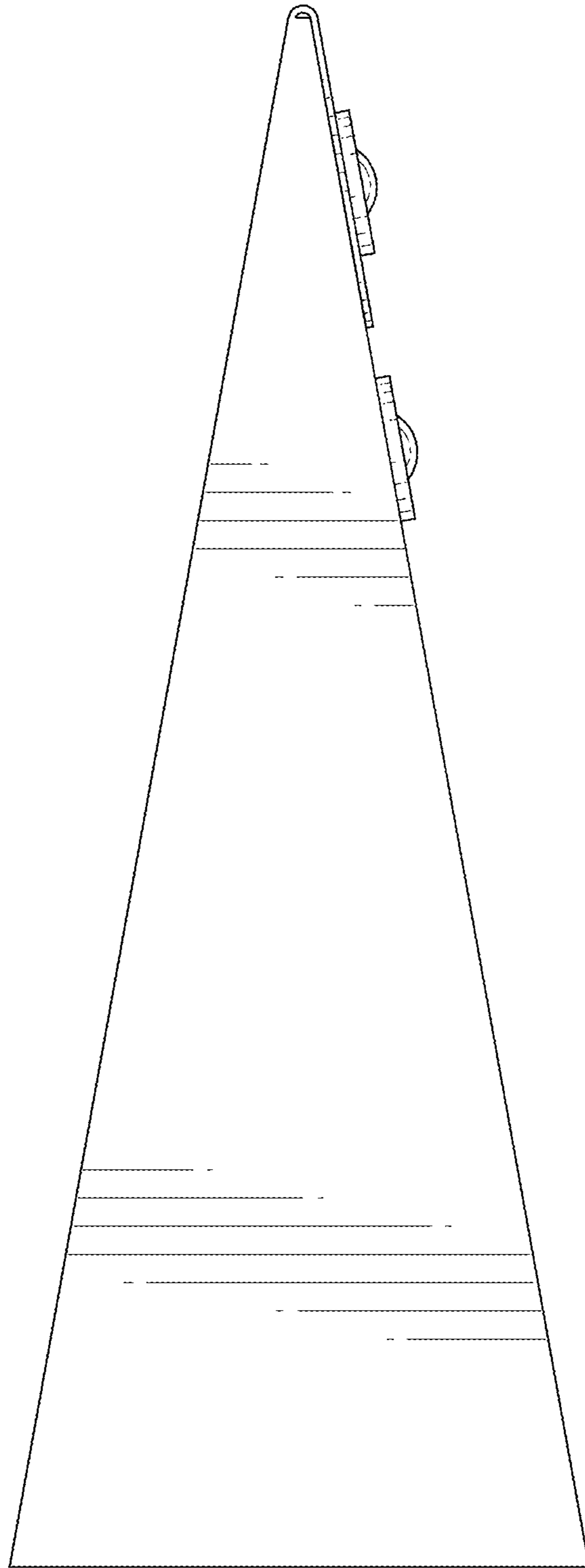


FIG 8

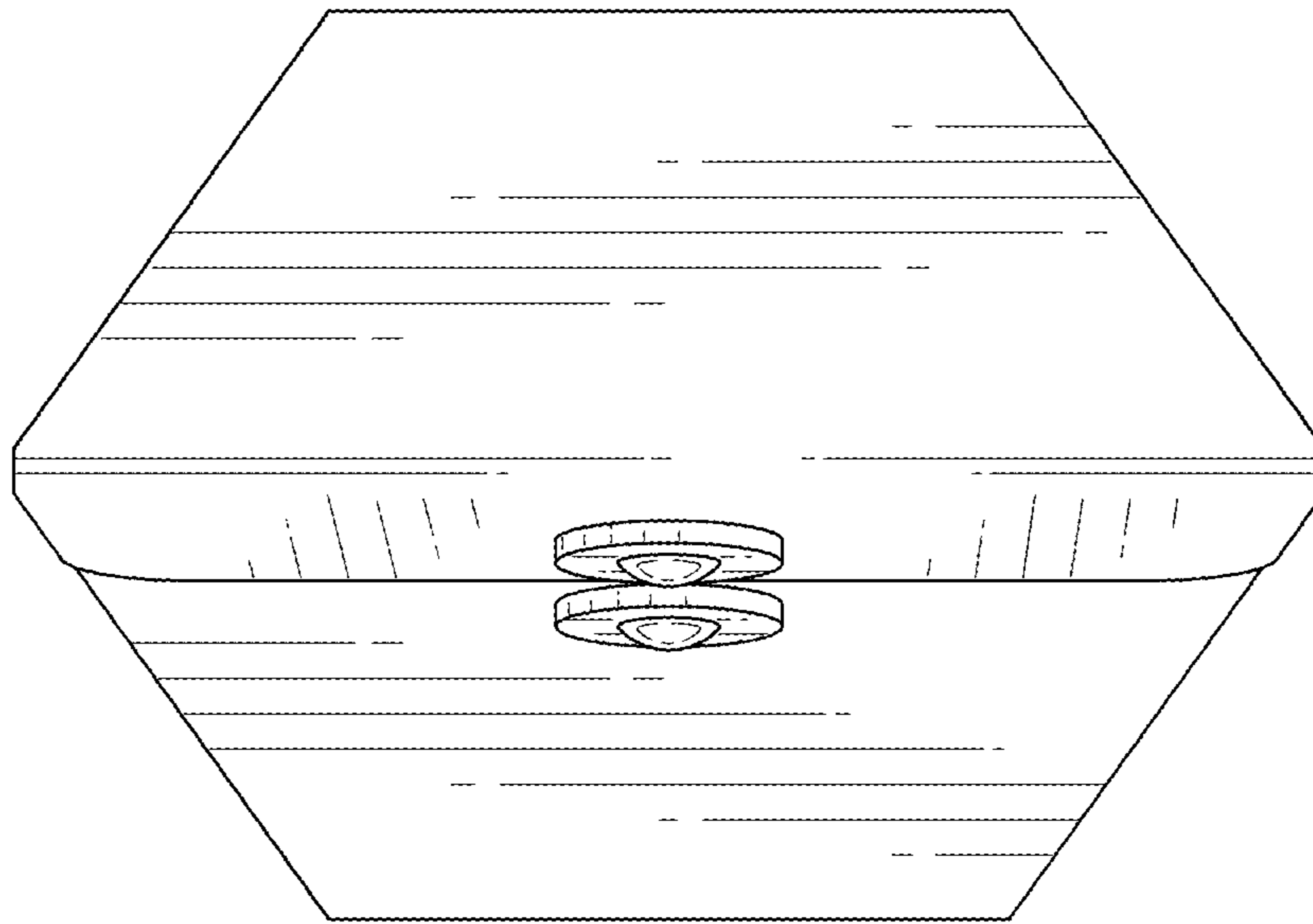


FIG 9

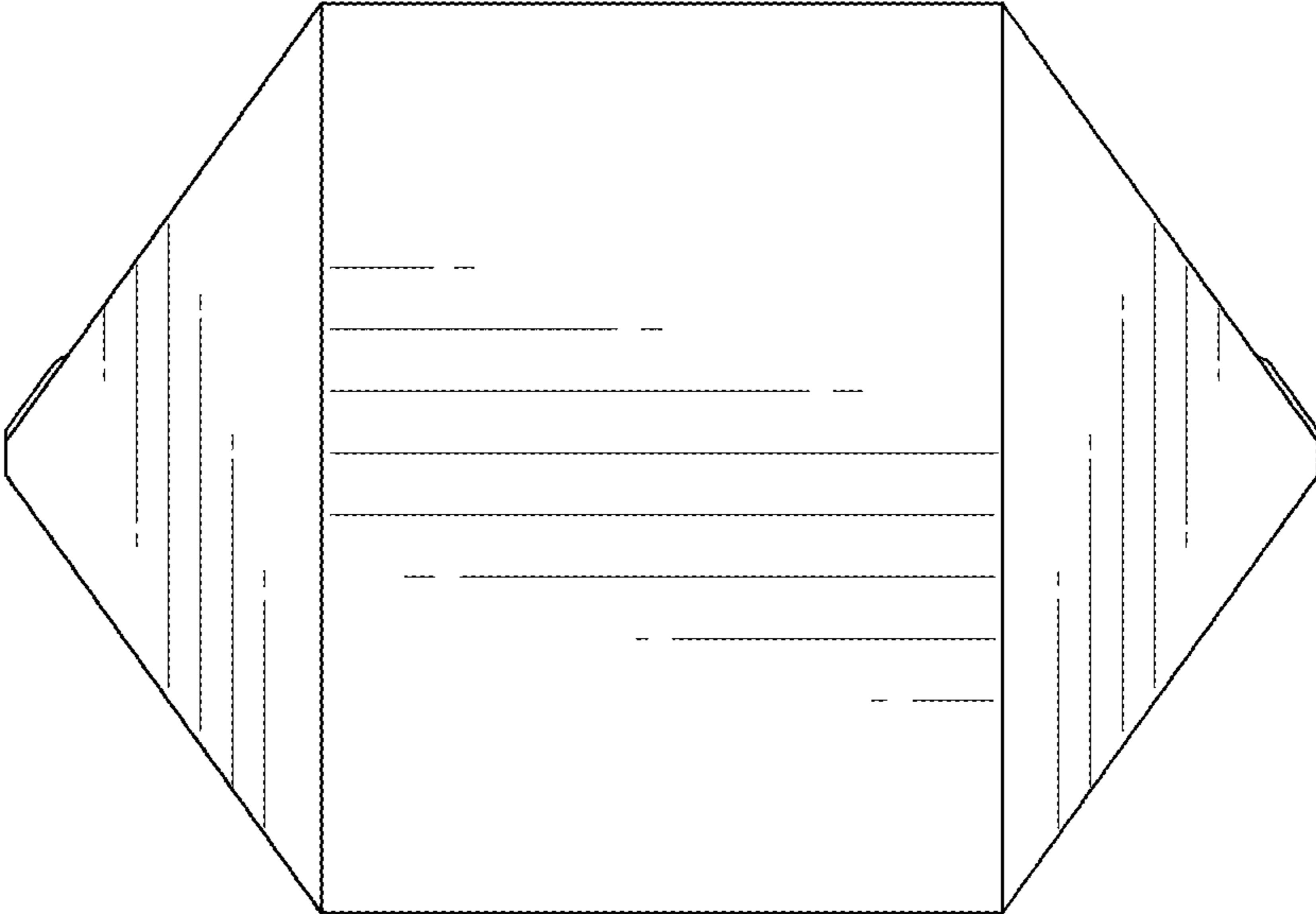


FIG 10