



US00D907294S

(12) **United States Design Patent** (10) **Patent No.:** **US D907,294 S**
Zhu (45) **Date of Patent:** **** Jan. 5, 2021**

(54) **EYEBROW TRIMMER**
(71) Applicant: **SHENZHEN COSQUEEN TECHNOLOGY CO., LTD**, Shenzhen (CN)
(72) Inventor: **Cailin Zhu**, Jixi (CN)
(73) Assignee: **SHENZHEN COSQUEEN TECHNOLOGY CO., LTD**, Shenzhen (CN)
(**) Term: **15 Years**

D561,941 S * 2/2008 Khubani D28/53
D569,552 S * 5/2008 Marquez D28/53
D620,644 S * 7/2010 Lau D28/54
D634,067 S * 3/2011 Stowers D28/53
8,563,904 B2 * 10/2013 Cho H05B 1/0252
219/501
D712,711 S 9/2014 Nikas
D748,859 S * 2/2016 Boulanger D28/53
D758,663 S * 6/2016 Van Maanen D28/53
D776,877 S * 1/2017 Zadro D28/50
D831,274 S * 10/2018 Gamble D28/53
D889,043 S * 6/2020 Stowers D28/51
D891,701 S * 7/2020 Baratelli D28/53
D894,490 S * 8/2020 Baratelli D28/53
D898,288 S * 10/2020 Stowers D28/51

(Continued)

(21) Appl. No.: **29/747,138**
(22) Filed: **Aug. 20, 2020**
(51) **LOC (13) Cl.** **28-03**
(52) **U.S. Cl.**
USPC **D28/53**
(58) **Field of Classification Search**
USPC D28/49-54
CPC B26B 19/00-08; B26B 19/10-12; B26B 19/20-24; B26B 19/26-265; B26B 19/38-3826; B26B 19/3873-3893; B26B 19/42
See application file for complete search history.

Primary Examiner — Jennifer Rivard

(57) **CLAIM**

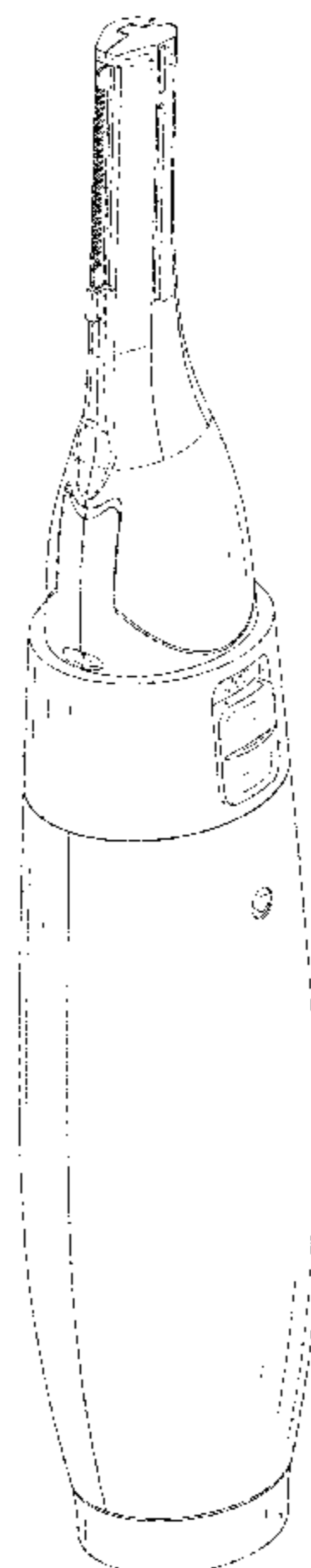
The ornamental design for an eyebrow trimmer, as shown and described.

DESCRIPTION

FIG. 1 is a perspective view of an eyebrow trimmer showing my new design;
FIG. 2 is another perspective view thereof;
FIG. 3 is a front elevational view thereof;
FIG. 4 is a rear elevational view thereof;
FIG. 5 is a left side elevational view thereof;
FIG. 6 is a right side elevational view thereof;
FIG. 7 is a top plan view thereof;
FIG. 8 is a bottom plan view thereof;
FIG. 9 is a perspective view of the eyebrow trimmer where a lid is attached to the eyebrow trimmer;
FIG. 10 is an enlarged view of portion 10 shown in FIG. 3; and,
FIG. 11 is an enlarged view of portion 11 shown in FIG. 4.
The broken lines in the drawings depict portions of the eyebrow trimmer that form no part of the claimed design.

(56) **References Cited**
U.S. PATENT DOCUMENTS
D400,303 S * 10/1998 Tanaka D28/49
D476,444 S * 6/2003 Hara D28/50
D485,013 S * 1/2004 Leventhal D28/52
D488,260 S * 4/2004 Khubani D28/53
D497,035 S * 10/2004 Khubani D28/53
D509,026 S * 8/2005 Leventhal D28/53
D513,092 S * 12/2005 Ajootian D28/53
D514,257 S 1/2006 Bokelman-Dumas
D516,245 S * 2/2006 Ohta D28/49
D554,291 S * 10/2007 Darnell D19/163

1 Claim, 11 Drawing Sheets



(56)

References Cited

U.S. PATENT DOCUMENTS

2005/0262696 A1* 12/2005 Ouchi B26B 19/063
30/50
2006/0156551 A1* 7/2006 Khubani B26B 19/3893
30/130

* cited by examiner

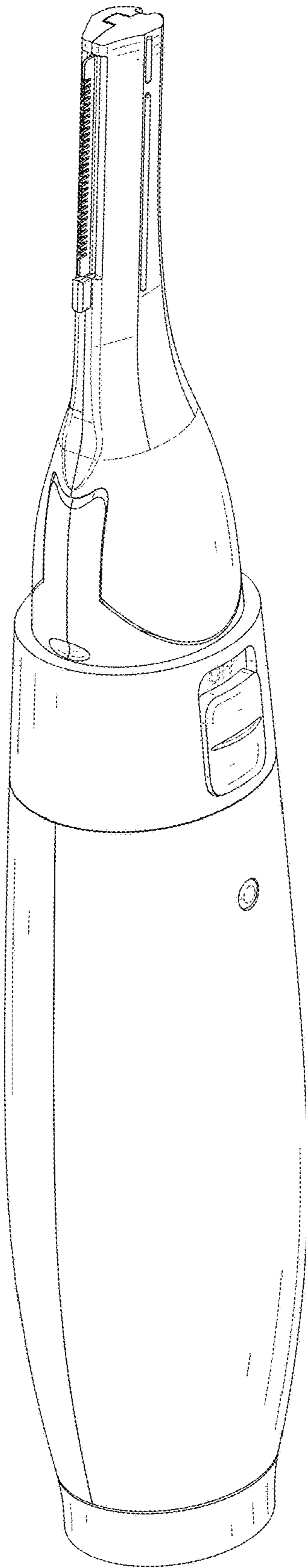


FIG. 1

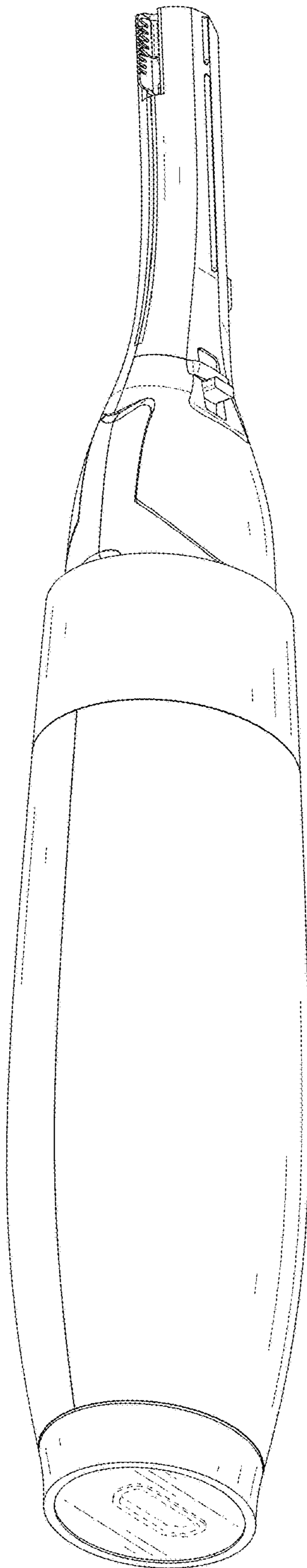


FIG. 2

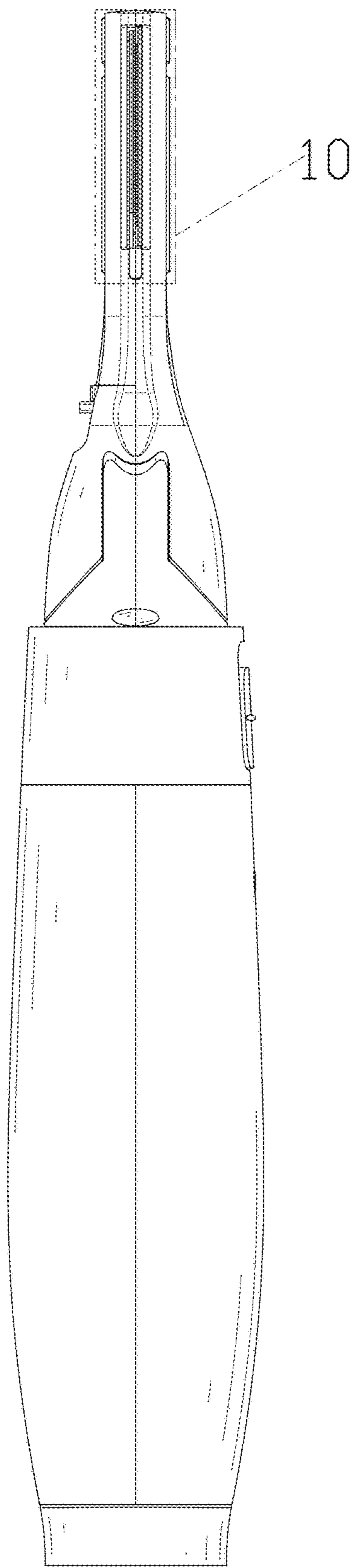


FIG. 3

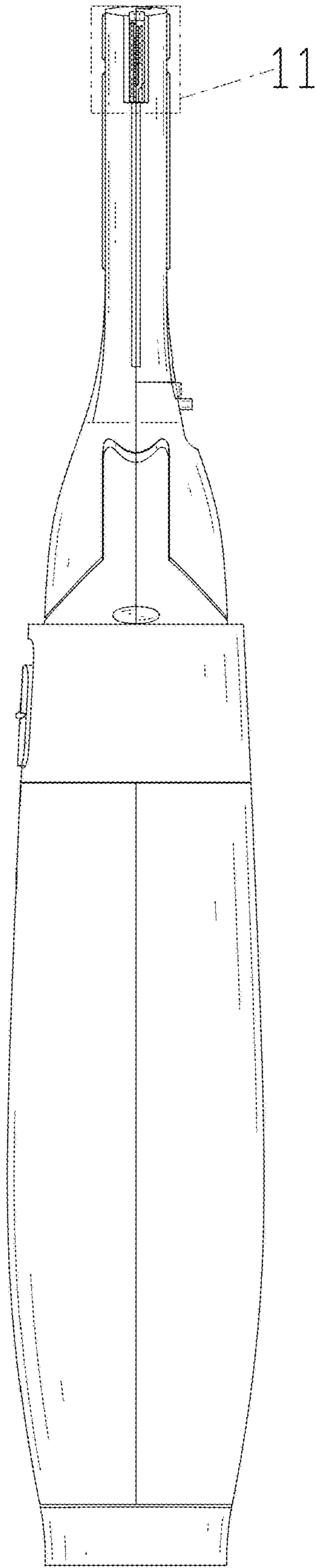


FIG. 4

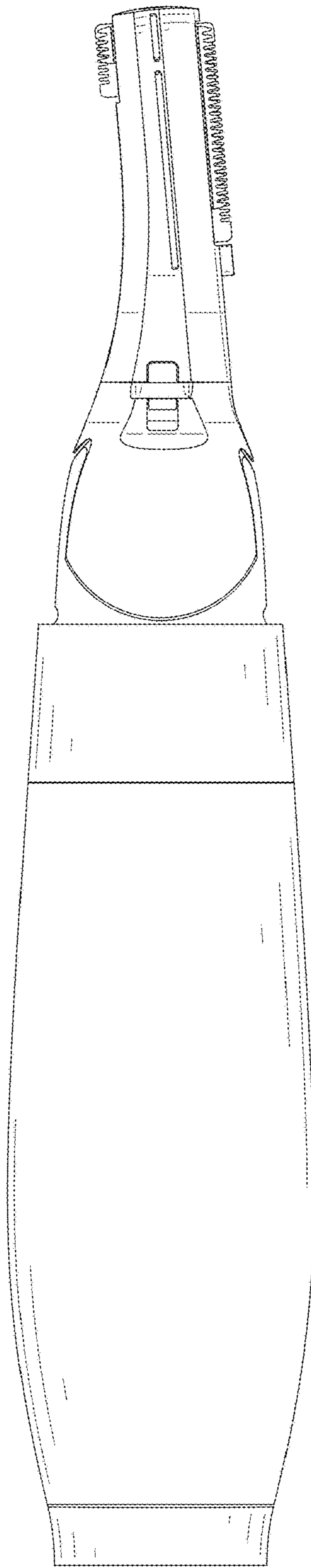


FIG. 5

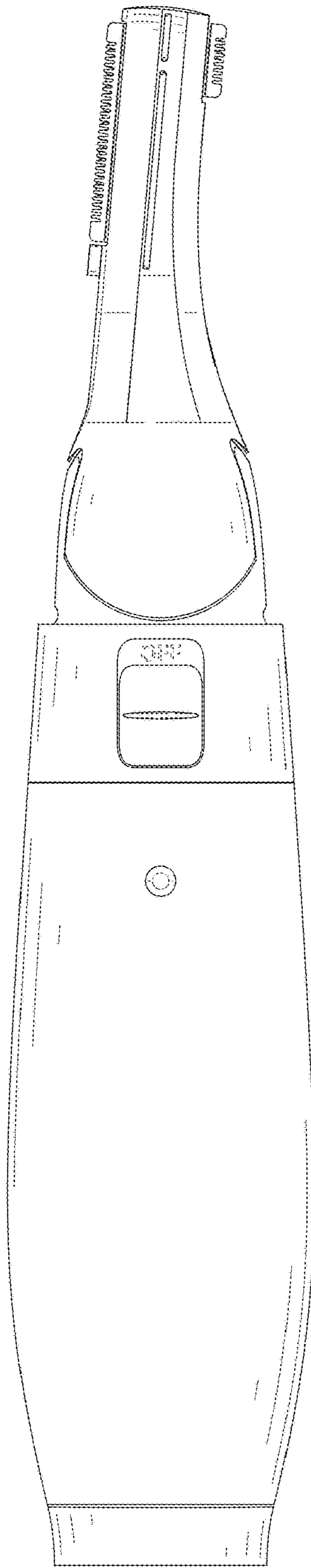


FIG. 6

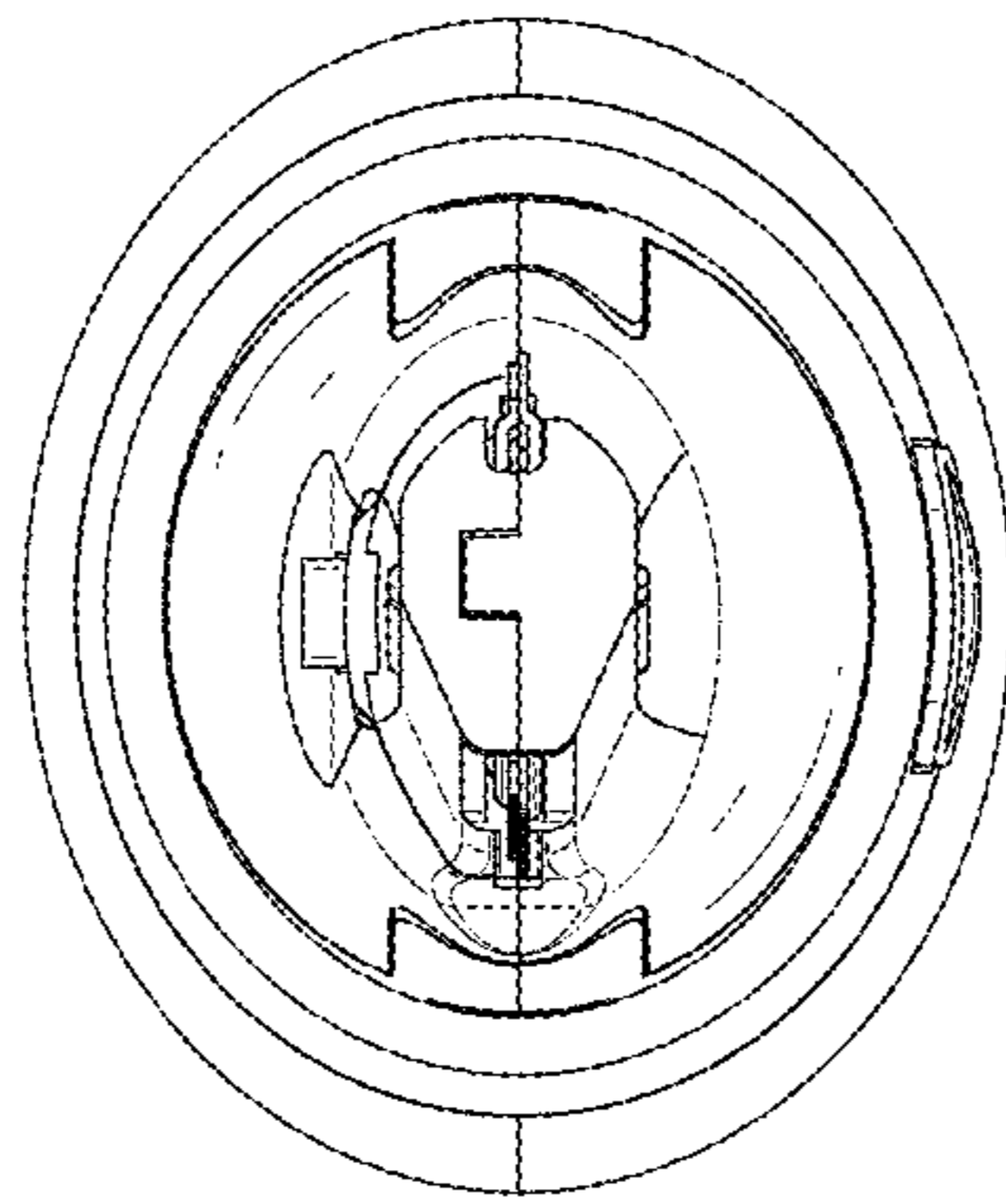


FIG. 7

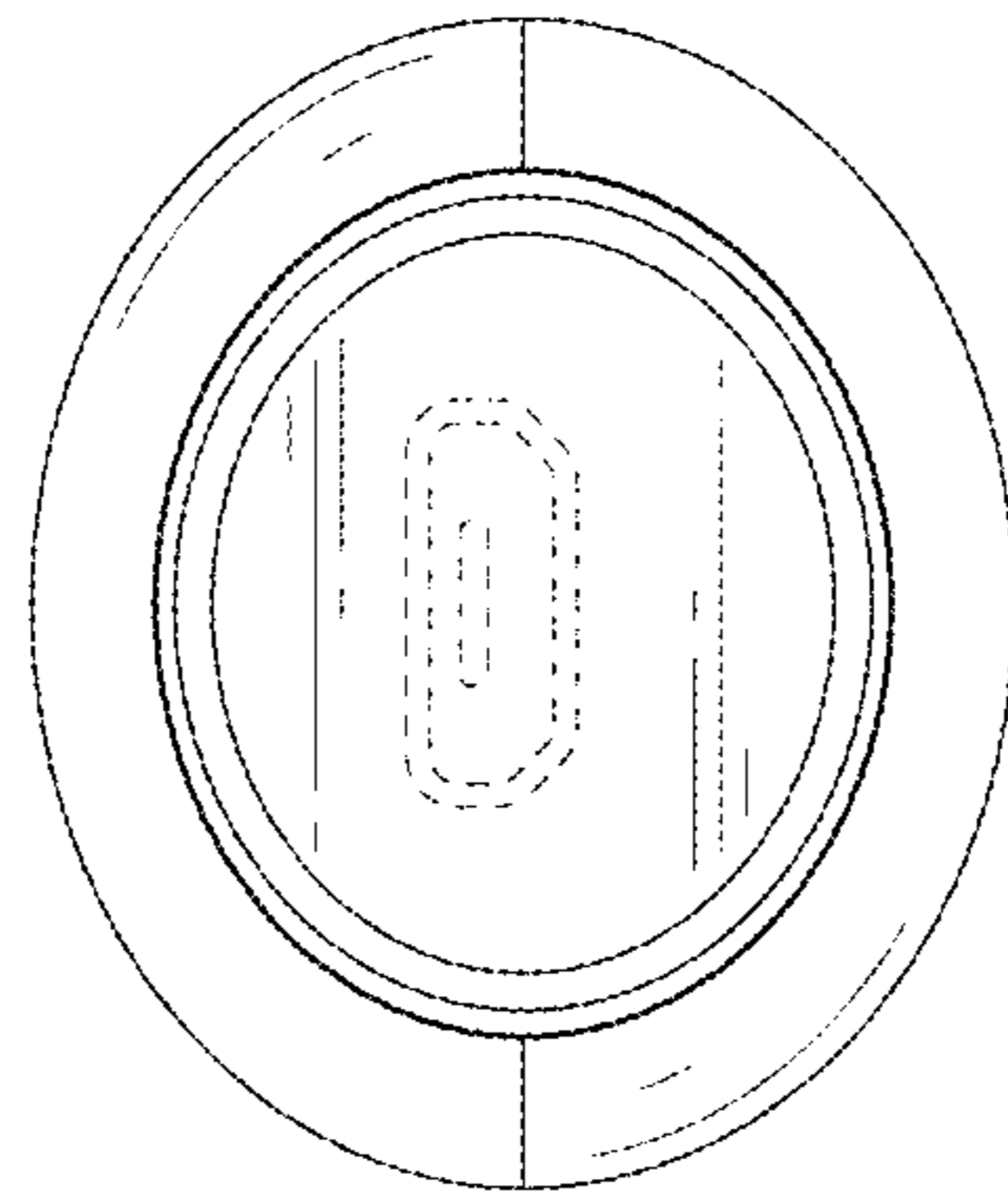


FIG. 8

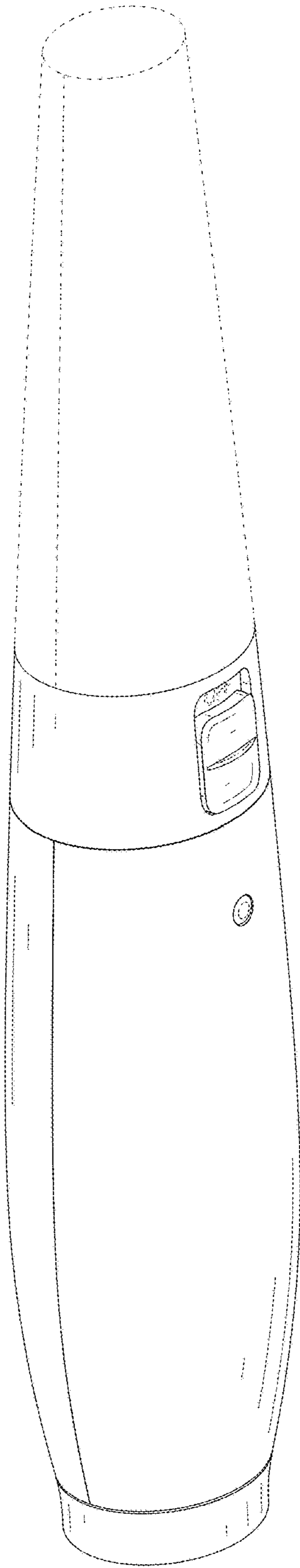


FIG. 9

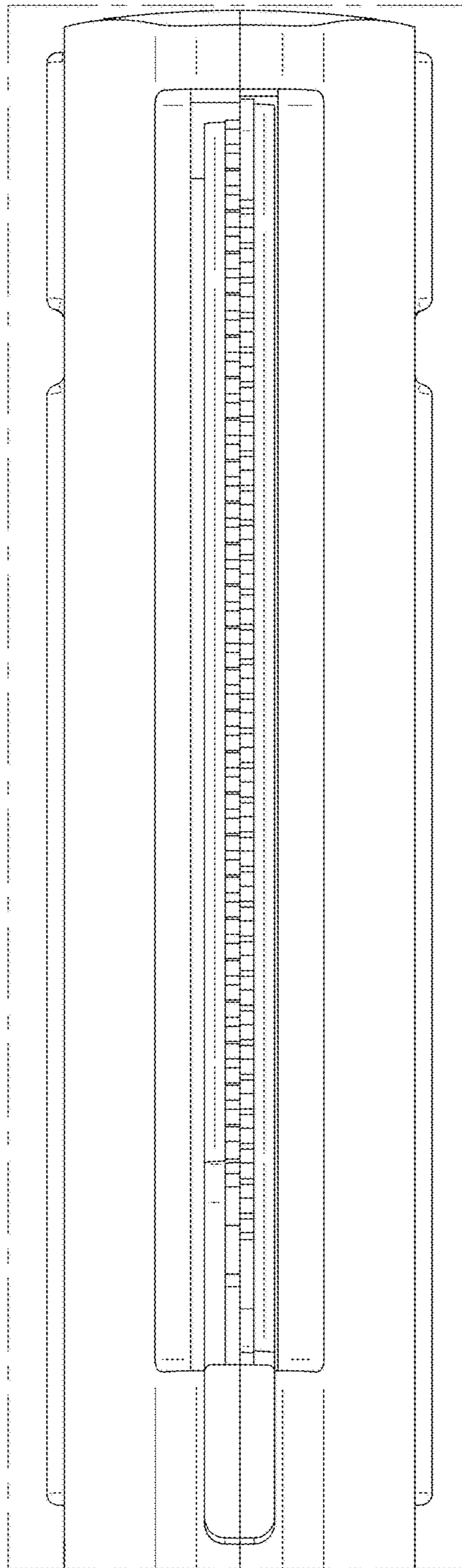


FIG. 10

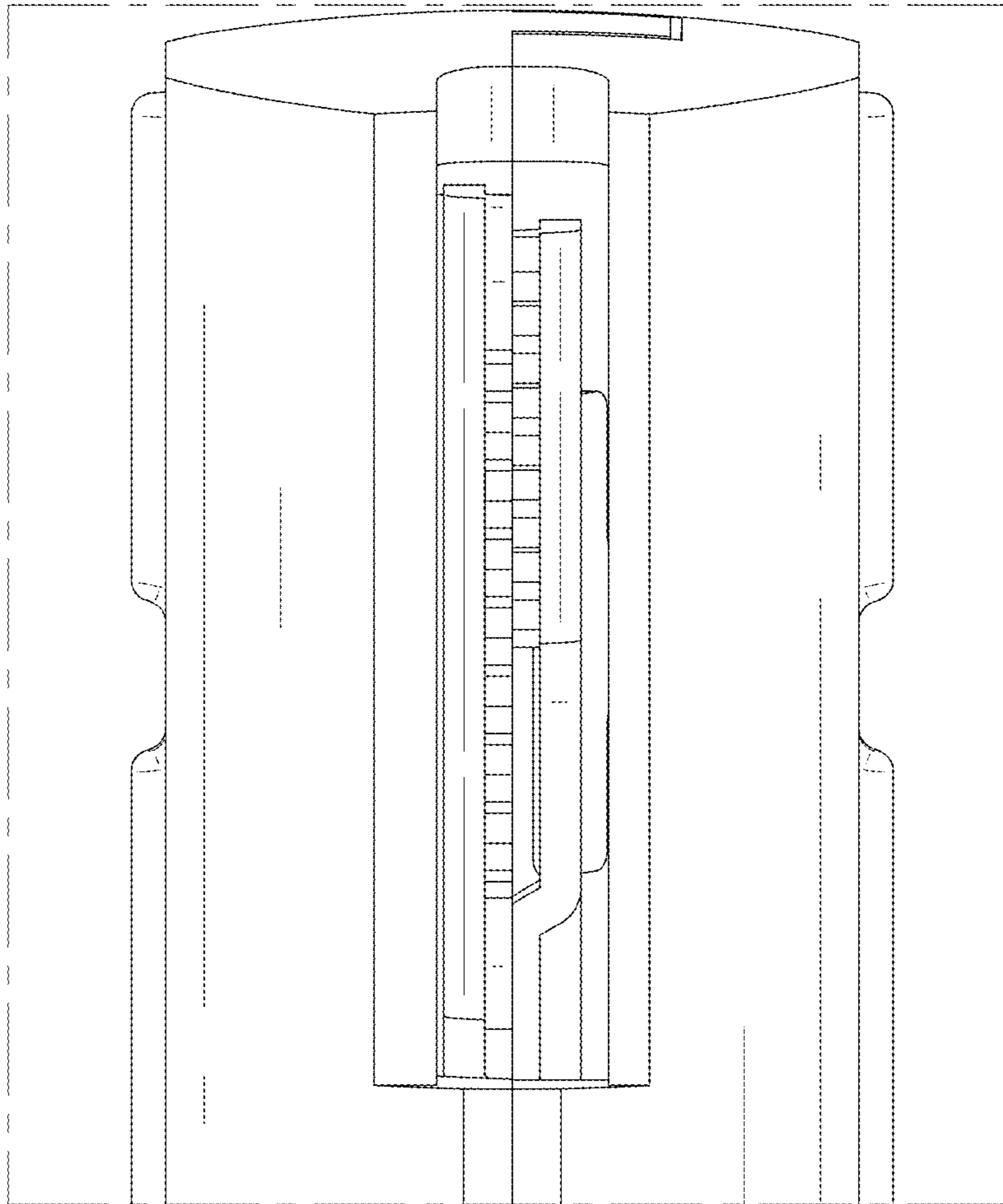


FIG. 11