



US00D907293S

(12) **United States Design Patent**
Long et al.

(10) **Patent No.:** **US D907,293 S**
(45) **Date of Patent:** **** Jan. 5, 2021**

| | |
|---|---|
| (54) SHAVING RAZOR CARTRIDGE | 7,103,976 B2 * 9/2006 Pennella B26B 21/44 30/32 |
| (71) Applicant: The Gillette Company LLC , Boston, MA (US) | D550,400 S * 9/2007 Orloff D28/47 D556,378 S * 11/2007 Watson D28/47 D563,043 S 2/2008 Ramm D563,044 S 2/2008 Ramm |
| (72) Inventors: Matthew Michael Long , Methuen, MA (US); Dean Bernard Sheehan, II , Billerica, MA (US); John Hunter Spears , Boston, MA (US) | 7,370,419 B2 * 5/2008 Coffin B26B 21/227 30/41 7,469,477 B2 * 12/2008 Coffin B26B 21/222 30/50 7,610,683 B2 * 11/2009 Brown B26B 21/00 30/50 |
| (73) Assignee: The Gillette Company LLC , Boston, MA (US) | D622,904 S 8/2010 Kinard et al. D630,378 S * 1/2011 Jung D28/47 D631,198 S * 1/2011 Adams D28/47 D638,580 S * 5/2011 Adams D28/46 D640,415 S * 6/2011 Wonderley D28/47 8,011,101 B2 * 9/2011 Coffin B26B 21/227 30/41 |
| (**) Term: 15 Years | D764,100 S * 8/2016 Park D28/47 D772,484 S 11/2016 Otsuka |
| (21) Appl. No.: 29/707,368 | |
| (22) Filed: Sep. 27, 2019 | |

Related U.S. Application Data

- (62) Division of application No. 29/647,169, filed on May 10, 2018, now Pat. No. Des. 866,858.
- (51) **LOC (13) Cl.** **28-03**
- (52) **U.S. Cl.**
USPC **D28/47**
- (58) **Field of Classification Search**
USPC D28/46-48
CPC B26B 21/14-227; B26B 21/4006-4031;
B26B 21/4068-4075; B26B 21/443;
B26B 21/54-60; B26B 21/525
See application file for complete search history.

References Cited

U.S. PATENT DOCUMENTS

| |
|---|
| 5,604,983 A * 2/1997 Simms B26B 21/44 30/49 |
| D403,811 S * 1/1999 Brown D28/47 |
| D415,315 S 10/1999 Swanson et al. |
| 6,161,287 A * 12/2000 Swanson B26B 21/4018 30/50 |
| D524,986 S 7/2006 Prudden, Jr. |

Primary Examiner — Jennifer Rivard
(74) *Attorney, Agent, or Firm* — Kevin C. Johnson

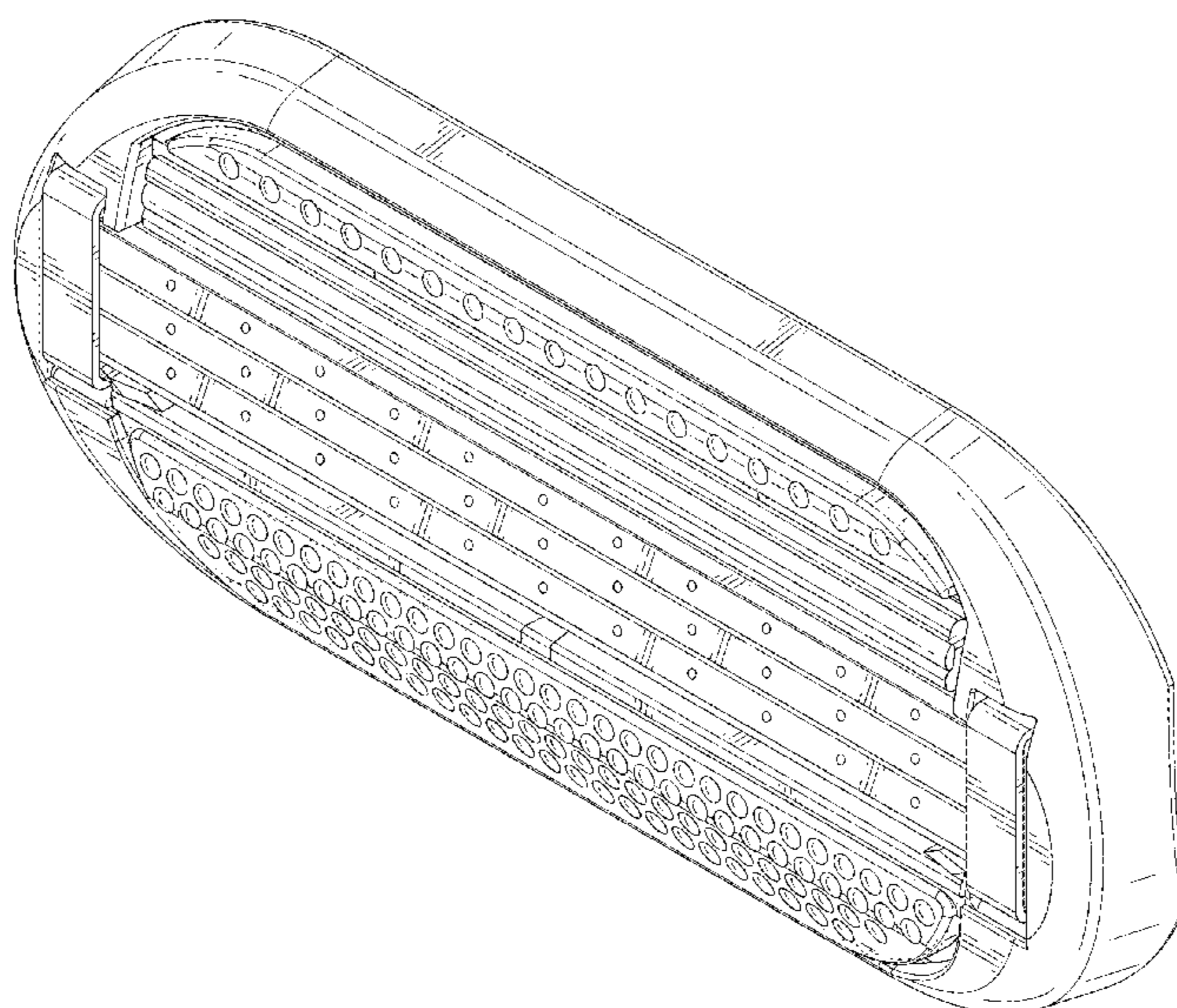
(57) **CLAIM**

The ornamental design for a shaving razor cartridge, as shown and described.

DESCRIPTION

FIG. 1 is a perspective view of a shaving razor cartridge showing our new design;
FIG. 2 is a top view thereof;
FIG. 3 is a bottom view thereof;
FIG. 4 is a right view thereof;
FIG. 5 is a left view thereof;
FIG. 6 is a rear view thereof;
FIG. 7 is a front view thereof; and,
FIG. 8 is another perspective view thereof.

1 Claim, 6 Drawing Sheets



(56)

References Cited

U.S. PATENT DOCUMENTS

D819,273 S * 5/2018 Cabrera D28/47
D829,380 S * 9/2018 Kong D28/47
D866,858 S * 11/2019 Long D28/47
D875,313 S * 2/2020 Kottidi D28/47
2014/0360021 A1* 12/2014 Sonnenberg B24B 1/00
30/41
2015/0158191 A1* 6/2015 Jeong B26B 21/4018
30/41
2020/0180178 A1* 6/2020 Park B26B 21/4031

* cited by examiner

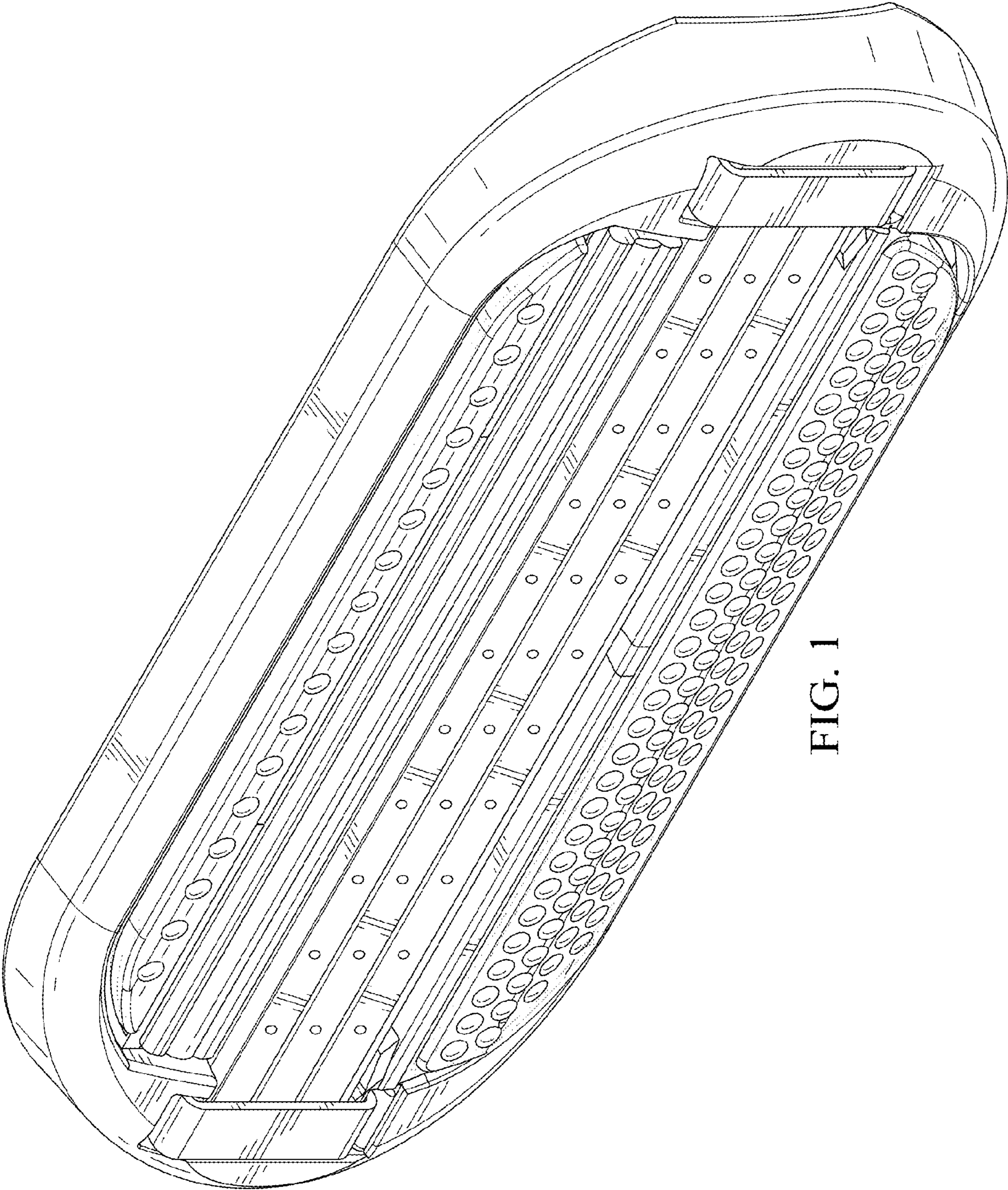


FIG. 1

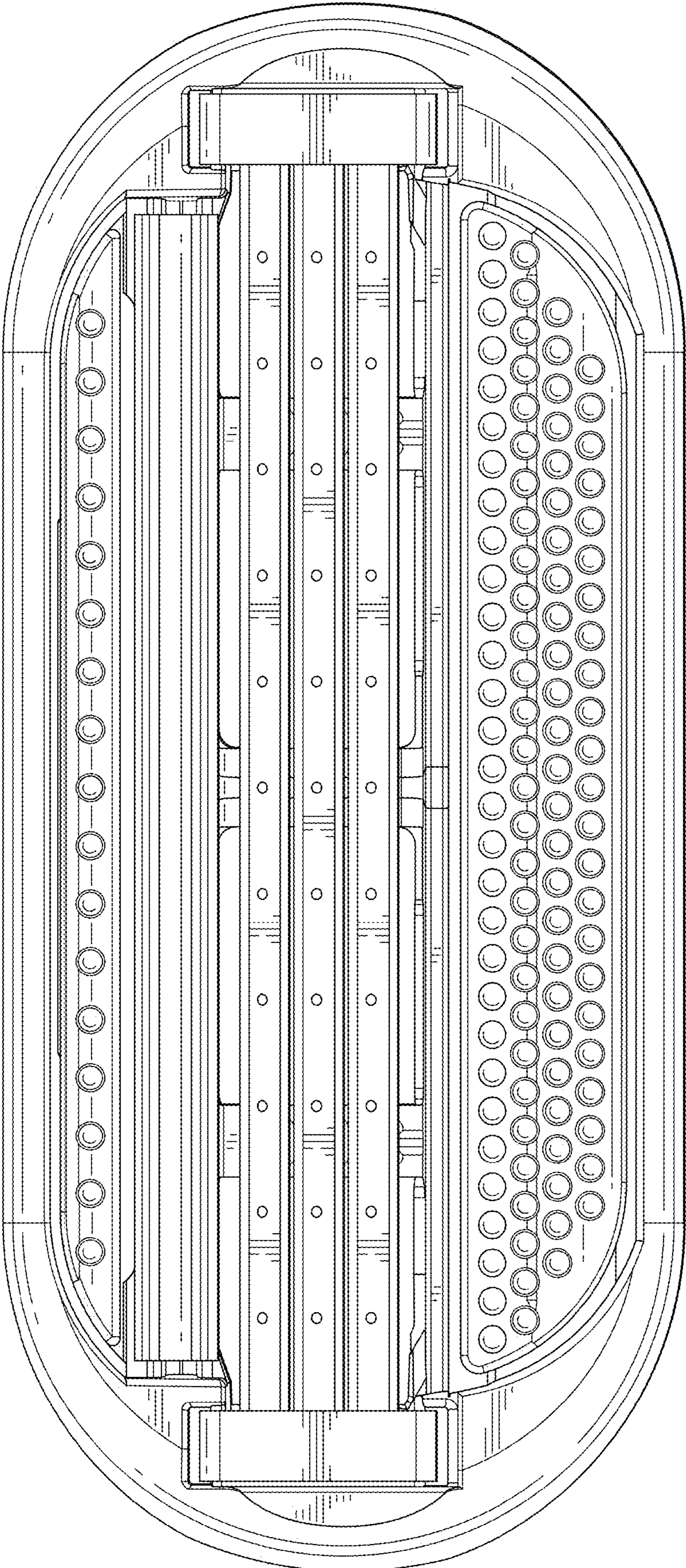


FIG. 2

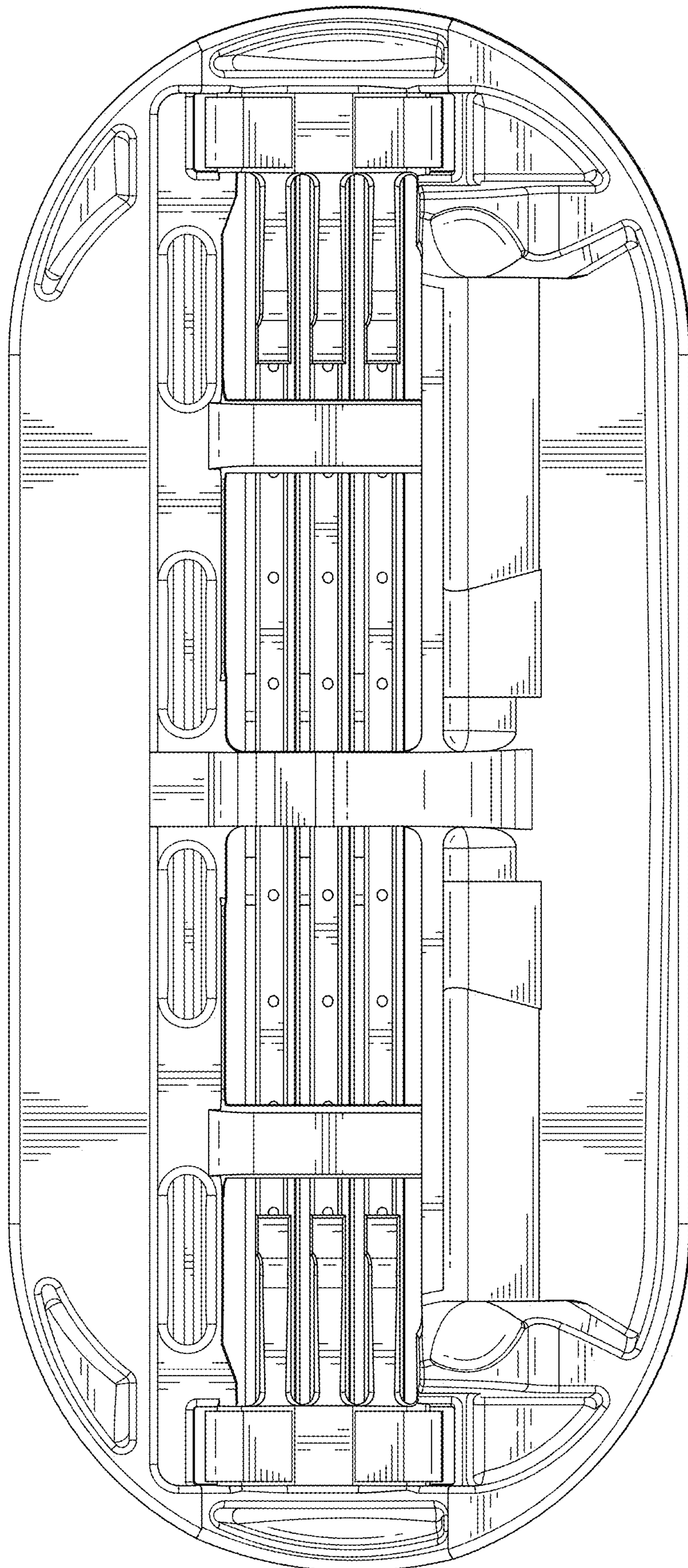


FIG. 3

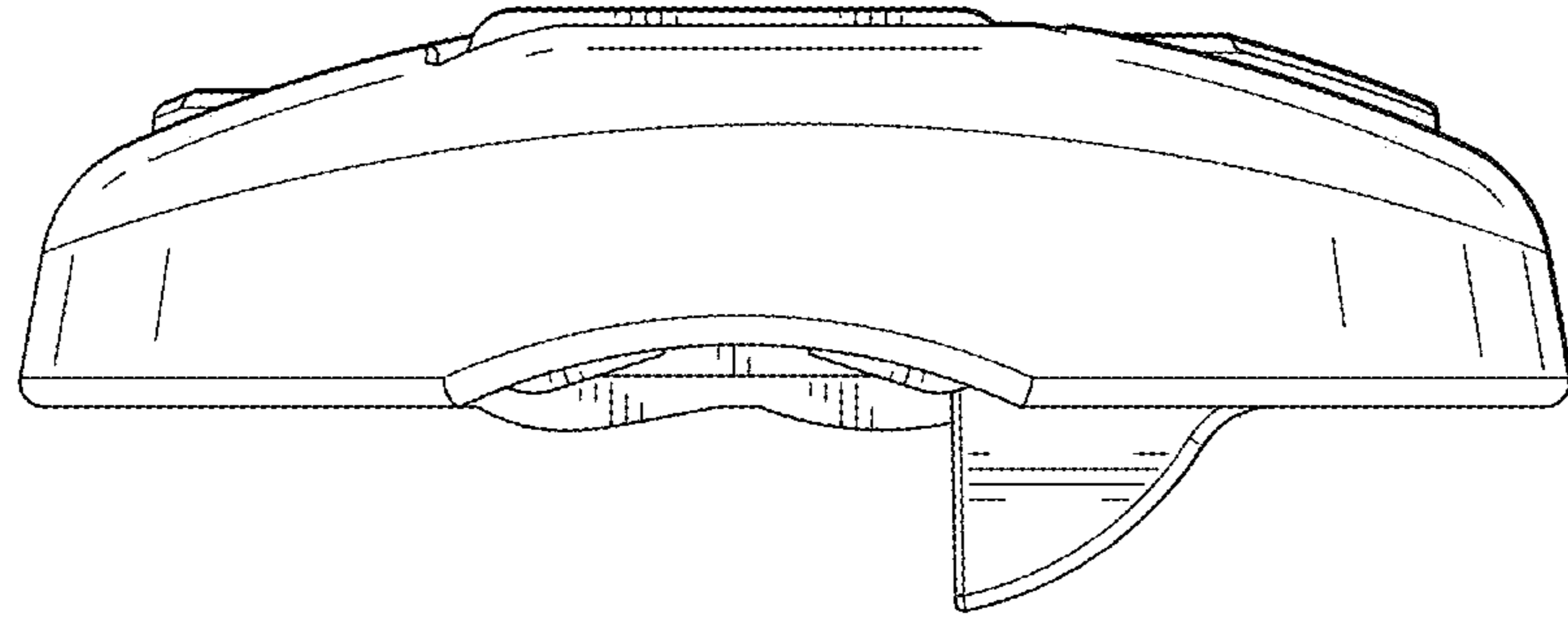


FIG. 5

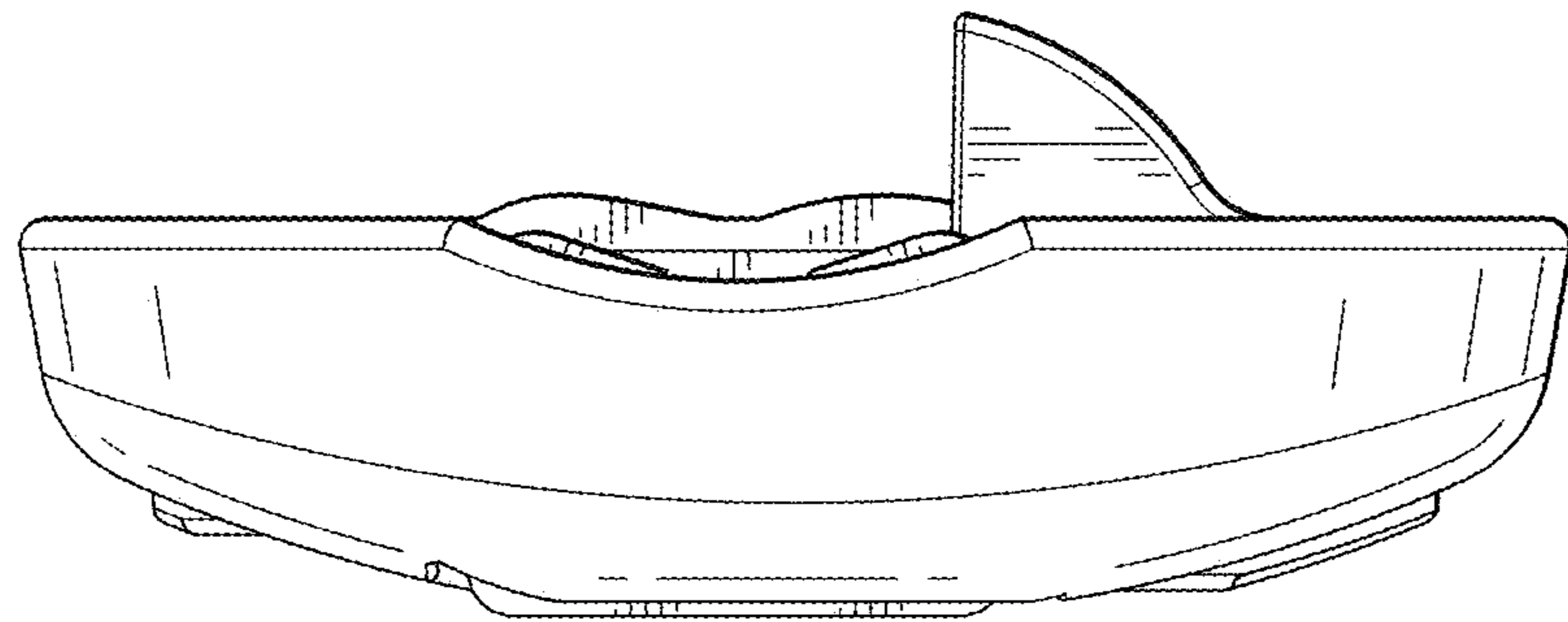


FIG. 4

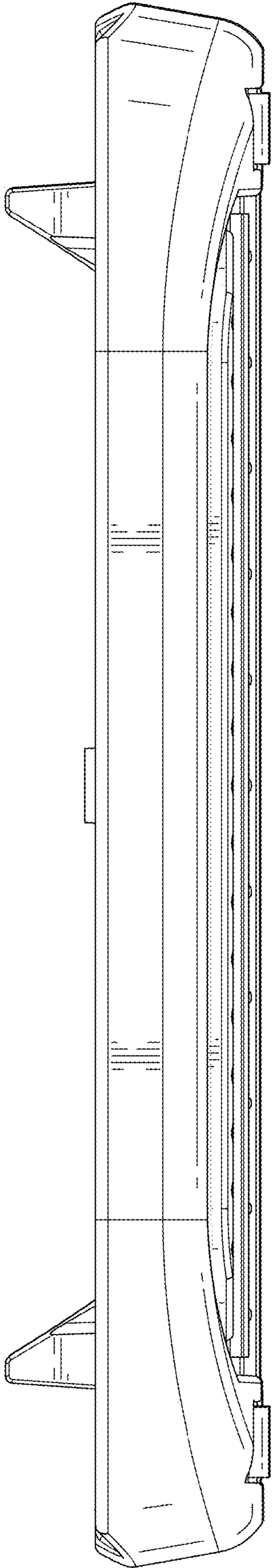


FIG. 6

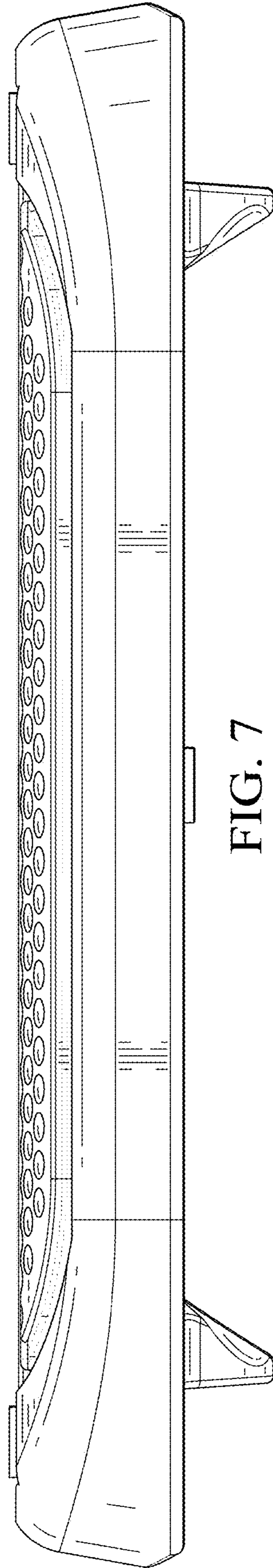


FIG. 7

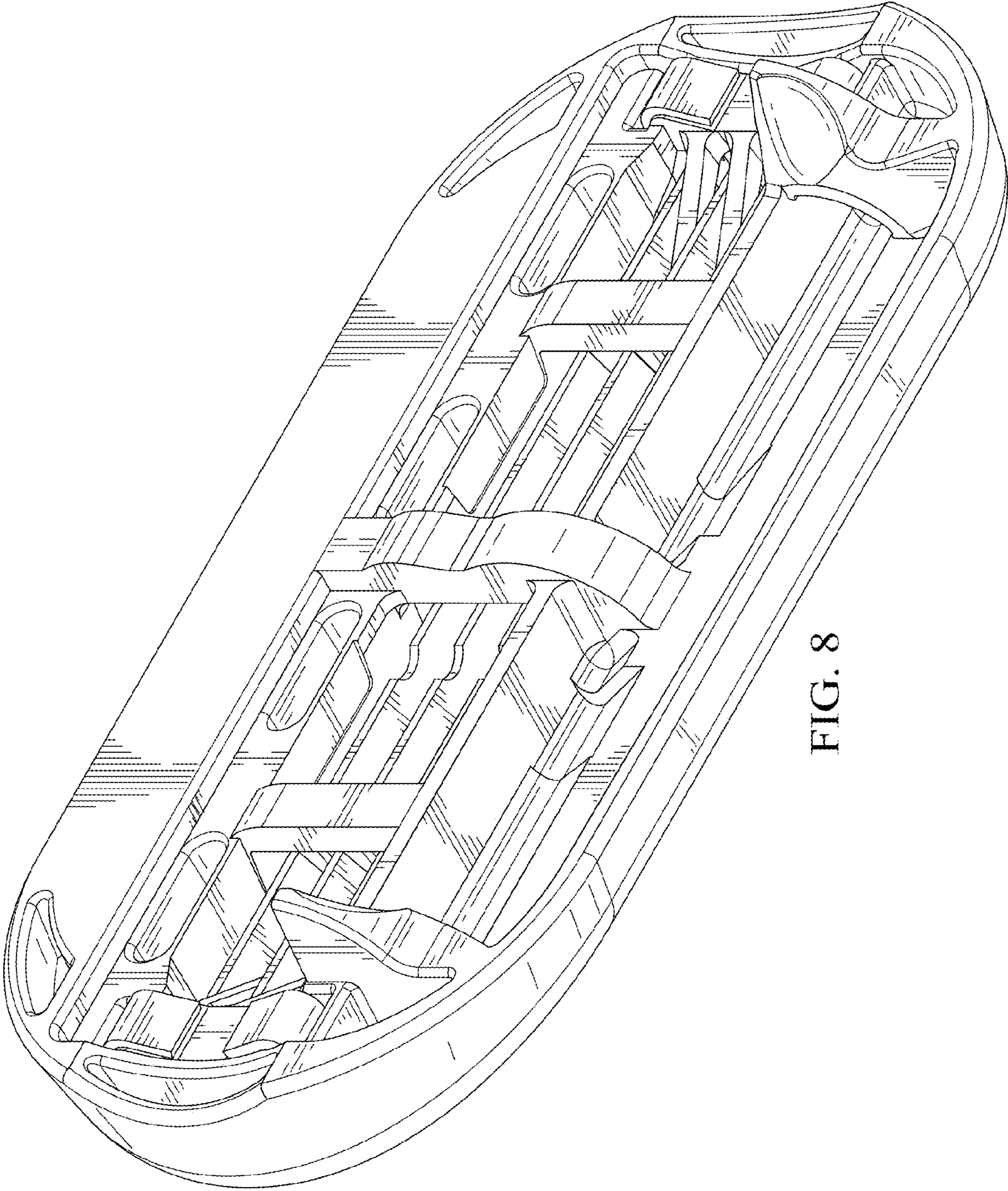


FIG. 8