

US00D907288S

(12) **United States Design Patent** (10) **Patent No.:** **US D907,288 S**  
**Liu** (45) **Date of Patent:** **\*\* Jan. 5, 2021**

(54) **ELECTRONIC CIGARETTE**  
(71) Applicant: **Tuanfang Liu**, Shenzhen (CN)  
(72) Inventor: **Tuanfang Liu**, Shenzhen (CN)  
(\*\*) Term: **15 Years**  
(21) Appl. No.: **29/692,032**  
(22) Filed: **May 22, 2019**

D819,882 S \* 6/2018 Qiu ..... D27/101  
D821,639 S \* 6/2018 Dai ..... D27/162  
D828,621 S \* 9/2018 Qiu ..... D27/162  
D832,501 S \* 10/2018 Qiu ..... D27/162  
D835,840 S \* 12/2018 Liu ..... D27/162  
D835,857 S \* 12/2018 Benacquisto ..... D30/158  
D854,236 S \* 7/2019 Qiu ..... D27/101  
D855,249 S \* 7/2019 Qiu ..... D27/162  
D863,672 S \* 10/2019 Liu ..... D27/162  
D871,666 S \* 12/2019 Qiu ..... D27/163  
D881,462 S \* 4/2020 Wright ..... D27/162  
2019/0150508 A1\* 5/2019 Thorsen ..... A24F 47/008

\* cited by examiner

(30) **Foreign Application Priority Data**

Feb. 16, 2019 (CN) ..... 2019 3 0065929

(51) **LOC (13) Cl.** ..... **27-02**

(52) **U.S. Cl.**  
USPC ..... **D27/162**

(58) **Field of Classification Search**  
USPC ..... D27/162, 100, 101, 163–169, 172, 174,  
D27/175, 183, 185–194; D24/110, 110.5;  
128/202.21, 203.12; 131/273, 274, 270,  
131/191, 328, 329, 330, 360–365;  
D9/516, 522, 523, 572  
CPC .... A24F 47/002; A24F 47/006; A24F 47/008;  
A61M 15/00; A61M 15/06  
See application file for complete search history.

(56) **References Cited**

**U.S. PATENT DOCUMENTS**

D723,373 S \* 3/2015 Wahl ..... D9/449  
D771,867 S \* 11/2016 Leidel ..... D27/163  
D773,114 S \* 11/2016 Leidel ..... D27/163  
D799,746 S \* 10/2017 Leidel ..... D27/163  
D800,377 S \* 10/2017 Liu ..... D27/101  
D802,834 S \* 11/2017 Mathias ..... D27/163  
D805,686 S \* 12/2017 Perez ..... A24F 40/40  
D27/162  
D819,880 S \* 6/2018 Qiu ..... D27/101

*Primary Examiner* — Marissa J Cash

*Assistant Examiner* — Rebecca Tsehaye

(74) *Attorney, Agent, or Firm* — Matthias Scholl P.C.;  
Matthias Scholl

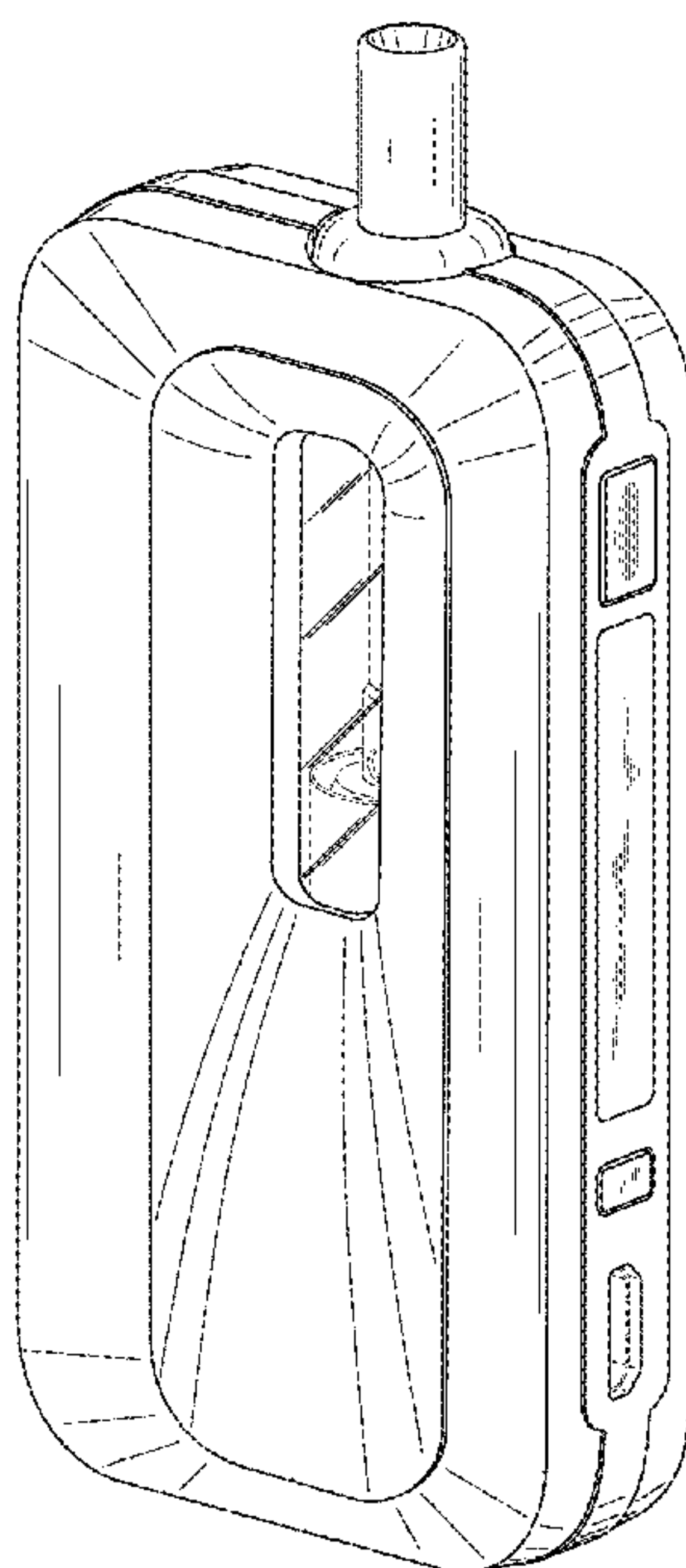
(57) **CLAIM**

The ornamental design for an electronic cigarette, as shown and described.

**DESCRIPTION**

FIG. 1 is a front elevation view of an electronic cigarette; FIG. 2 is a rear elevation view thereof; FIG. 3 is a left-side elevation view thereof; FIG. 4 is a right-side elevation view thereof; FIG. 5 is a top plan view thereof; FIG. 6 is a bottom plan view thereof; and, FIG. 7 is a perspective view thereof. Oblique lines on the electronic cigarette indicate that those surfaces are transparent. The broken lines in the drawings depict portions of the electronic cigarette that forms no part of the claimed design.

**1 Claim, 7 Drawing Sheets**



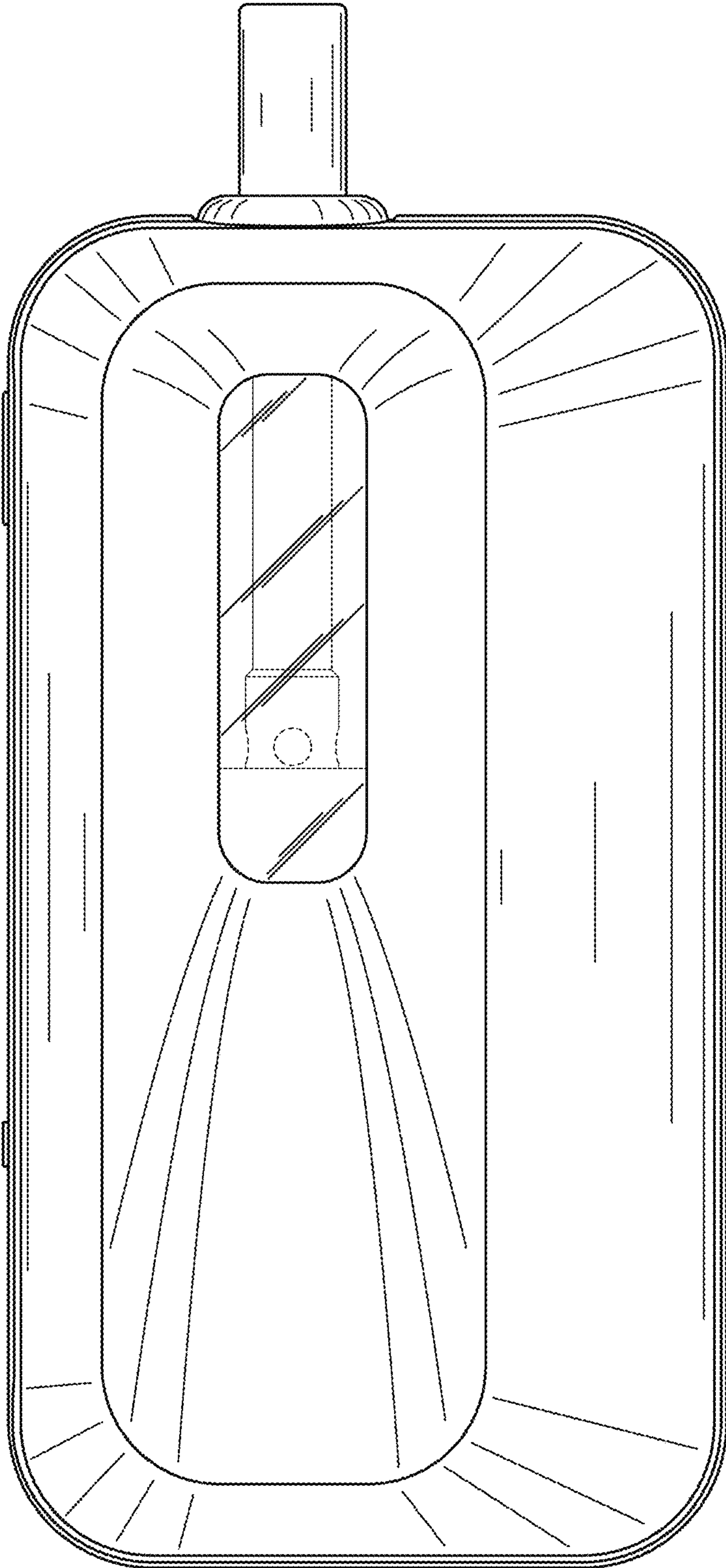


FIG. 1

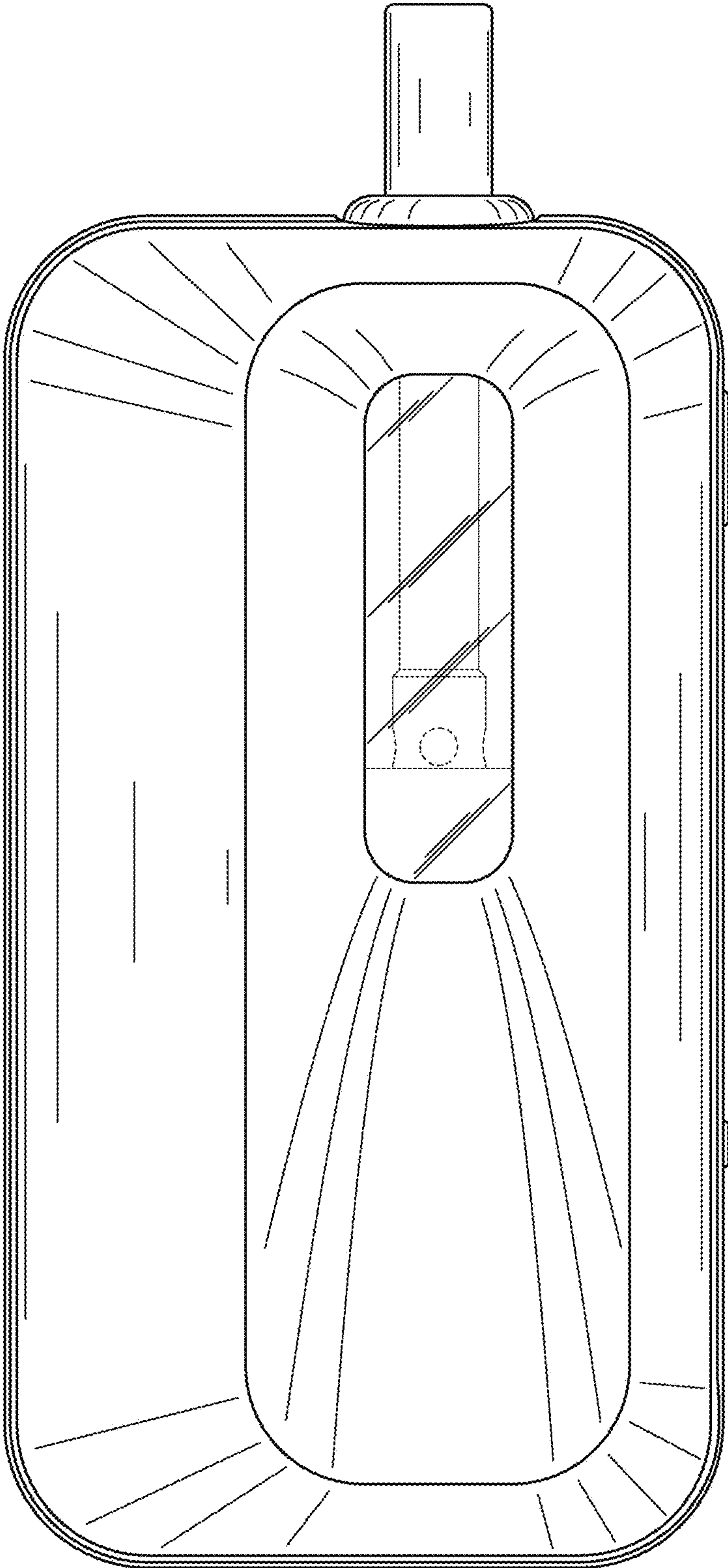


FIG. 2

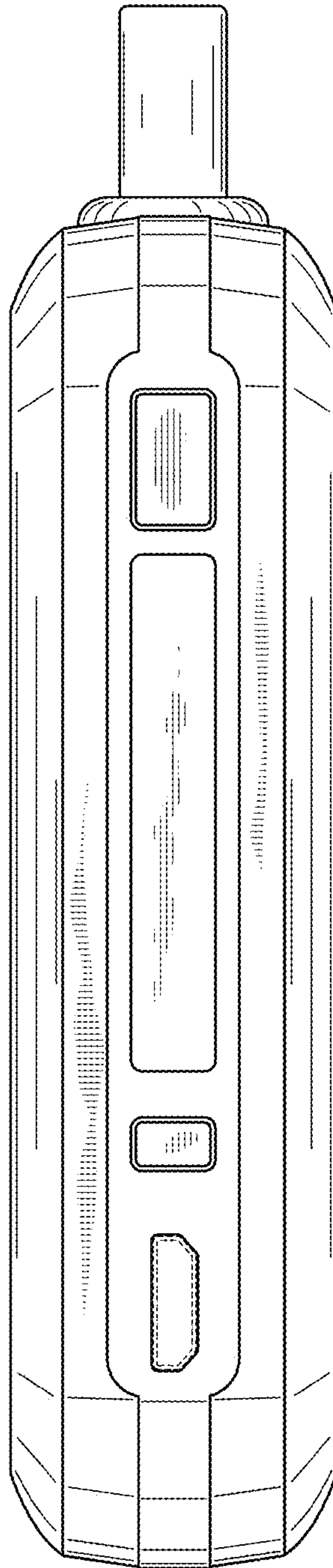


FIG. 3



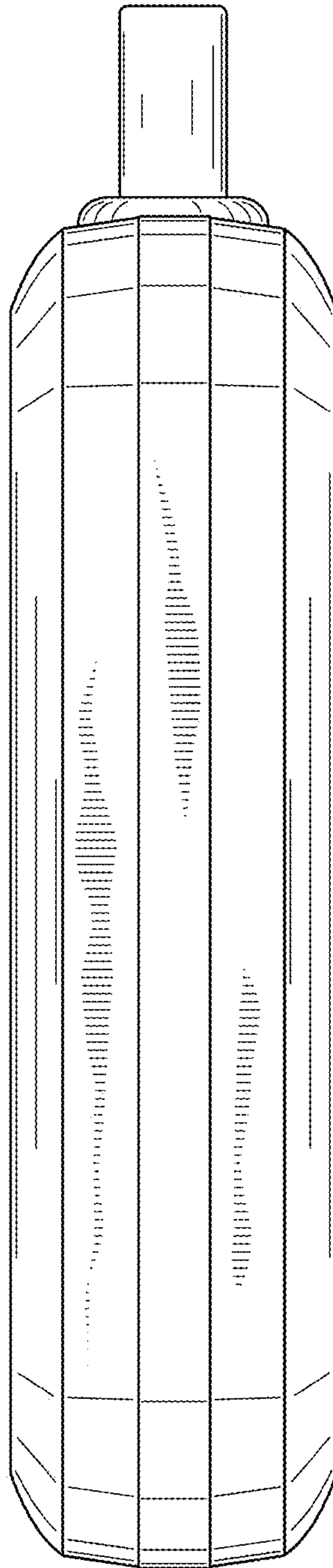


FIG. 4

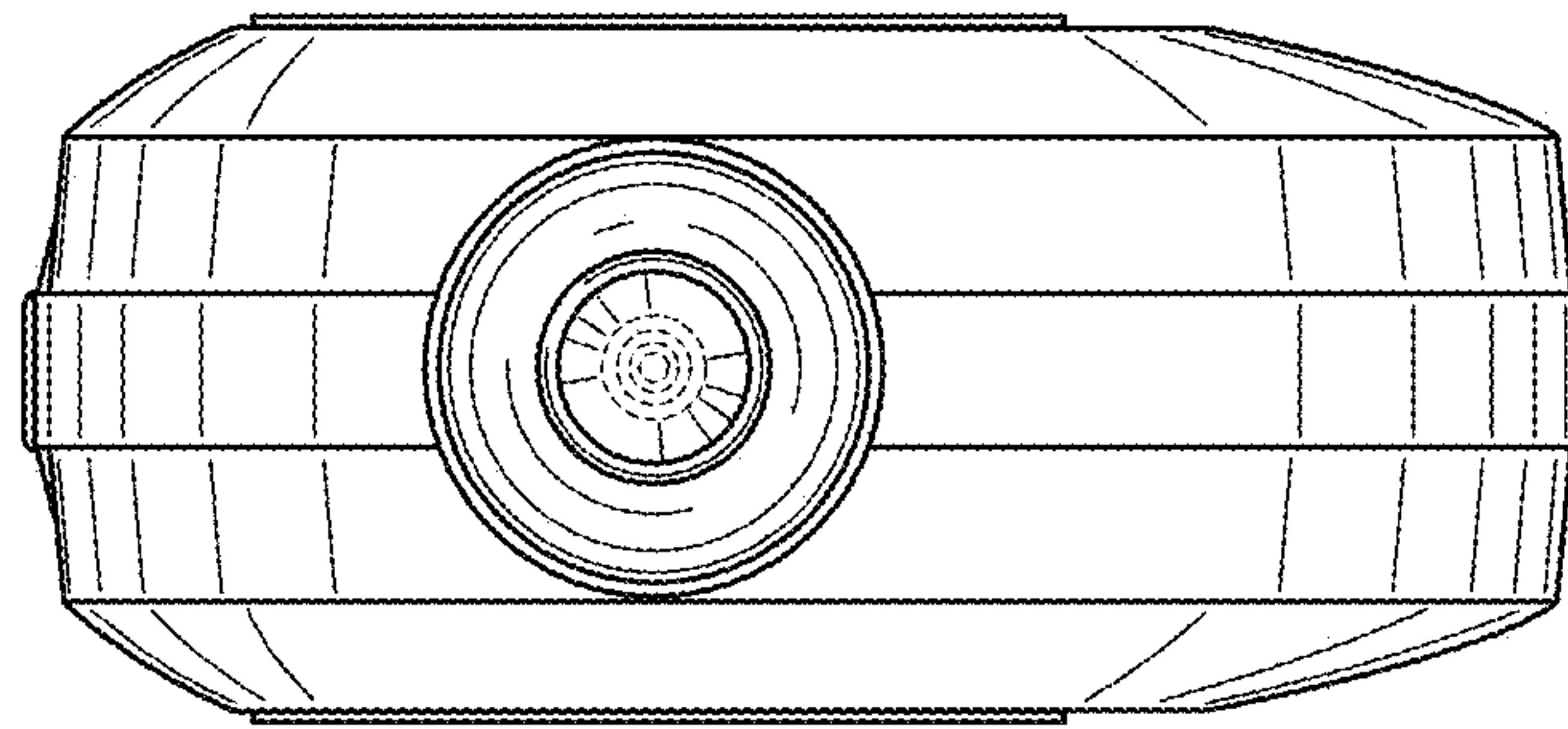


FIG. 5

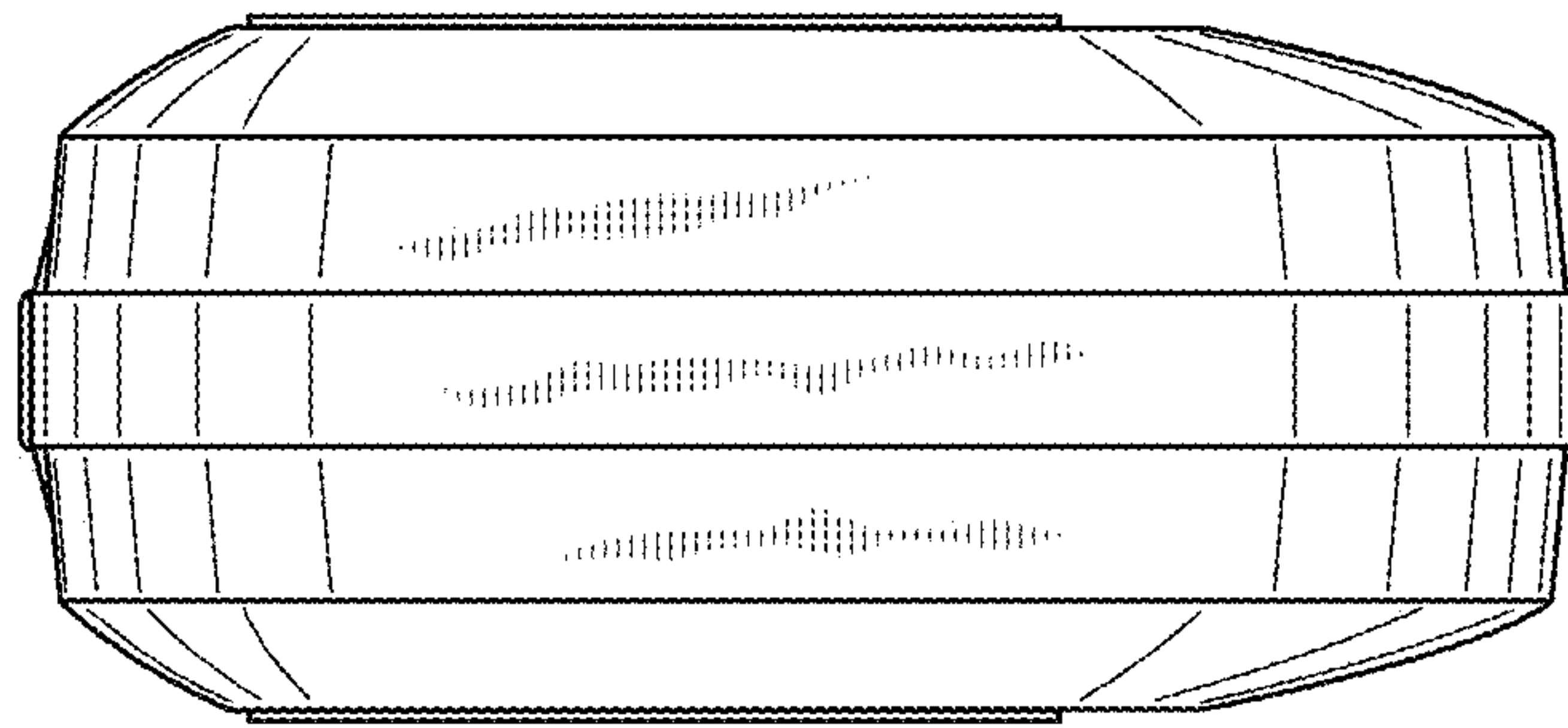


FIG. 6

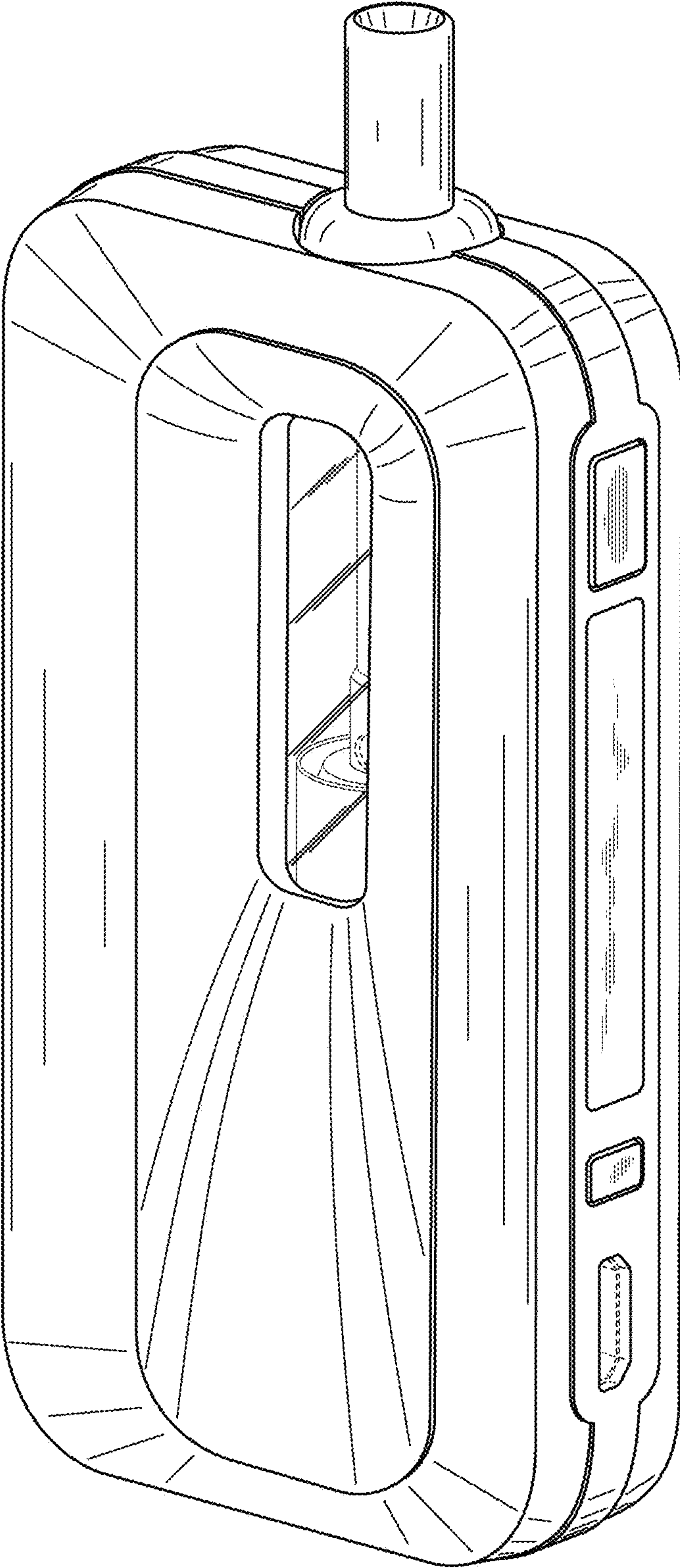


FIG. 7