



US00D907282S

(12) **United States Design Patent**  
**Hathway et al.**

(10) **Patent No.:** **US D907,282 S**  
(45) **Date of Patent:** **\*\* Jan. 5, 2021**

(54) **SECURITY LIGHT**

(71) Applicant: **Arlo Technologies, Inc.**, Carlsbad, CA (US)

(72) Inventors: **James Hathway**, Delta (CA); **Edwin Liu**, Richmond (CA); **Bruce Samuels**, Lions Bay (CA); **Andrew Tetzl**, Vancouver (CA)

(73) Assignee: **Arlo Technologies, Inc.**, Carlsbad, CA (US)

(\*\*) Term: **15 Years**

(21) Appl. No.: **29/675,651**

(22) Filed: **Jan. 4, 2019**

(51) **LOC (13) Cl.** ..... **26-05**

(52) **U.S. Cl.**  
USPC ..... **D26/118**

(58) **Field of Classification Search**  
USPC .... D26/24, 51, 61, 63, 65, 72, 80, 118, 120, D26/128

CPC .... F21S 8/04; F21S 8/00; F21V 21/00; F21V 21/30; F21V 21/14; F21V 21/26; F21V 17/02; F21V 14/02; F21W 2131/10  
See application file for complete search history.

(56) **References Cited**

**U.S. PATENT DOCUMENTS**

D556,618 S *	12/2007	Campagna	.....	D10/111
D565,233 S *	3/2008	Ladewig	.....	D26/118
D619,752 S *	7/2010	Zhang	.....	D26/120
D622,424 S *	8/2010	Smith	.....	D26/26
D638,822 S *	5/2011	Hoehn	.....	D14/214
D644,203 S *	8/2011	Hoehn	.....	D14/215

D649,673 S *	11/2011	Liang	.....	D26/72
D703,360 S *	4/2014	Shargh	.....	D26/72
D703,856 S *	4/2014	Shargh	.....	D26/72
D854,230 S *	7/2019	Paredes	.....	D26/118
D863,398 S *	10/2019	Huang	.....	D16/203
D878,666 S *	3/2020	Paredes	.....	D26/118
D886,177 S *	6/2020	Ramones	.....	D16/203
D886,882 S *	6/2020	Ramones	.....	D16/202
D886,884 S *	6/2020	Hathway	.....	D16/203
D888,322 S *	6/2020	Paredes	.....	D26/118
10,683,985 B2 *	6/2020	Paredes	.....	F21S 8/036
D891,508 S *	7/2020	Hathway	.....	D16/237
D892,663 S *	8/2020	Han	.....	D10/118.2

\* cited by examiner

*Primary Examiner* — Sheryl Lane

*Assistant Examiner* — Stacey L Hopkins

(74) *Attorney, Agent, or Firm* — Boyle Fredrickson S.C.

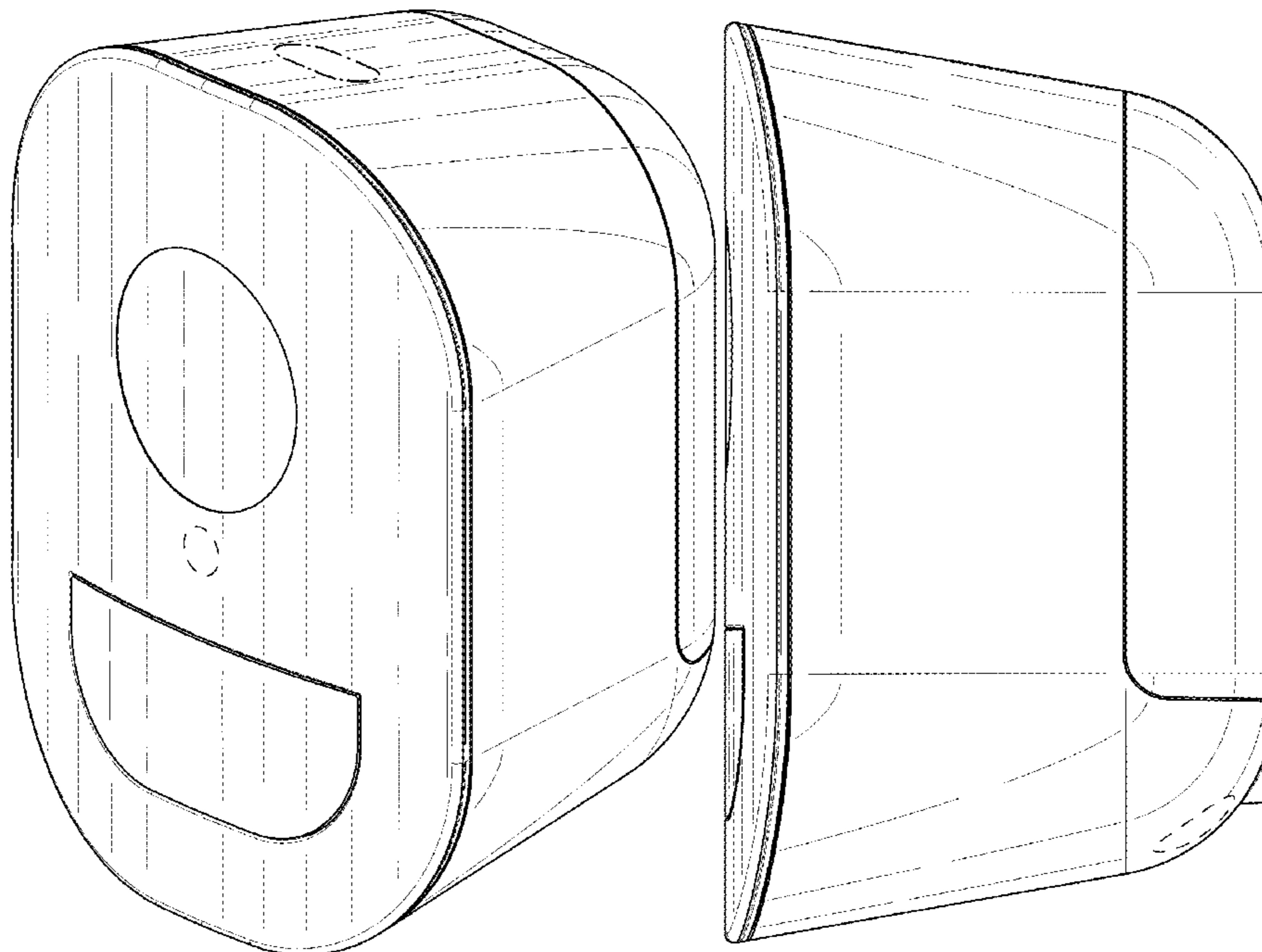
(57) **CLAIM**

The ornamental design for a security light, as shown and described.

**DESCRIPTION**

FIG. 1 is a top, front, right side perspective view of a security light showing our new design; FIG. 2 is a front elevation view thereof; FIG. 3 is a rear elevation view thereof; FIG. 4 is a right-side elevation view thereof; FIG. 5 is a left-side elevation view thereof; FIG. 6 is a top plan view thereof; and, FIG. 7 is a bottom plan view thereof. The dashed broken lines in FIGS. 1-7 represent unclaimed parts of the design, and the dash-dot broken lines represent boundaries of the claimed design. All of the broken lines form no part of the claimed design.

**1 Claim, 7 Drawing Sheets**



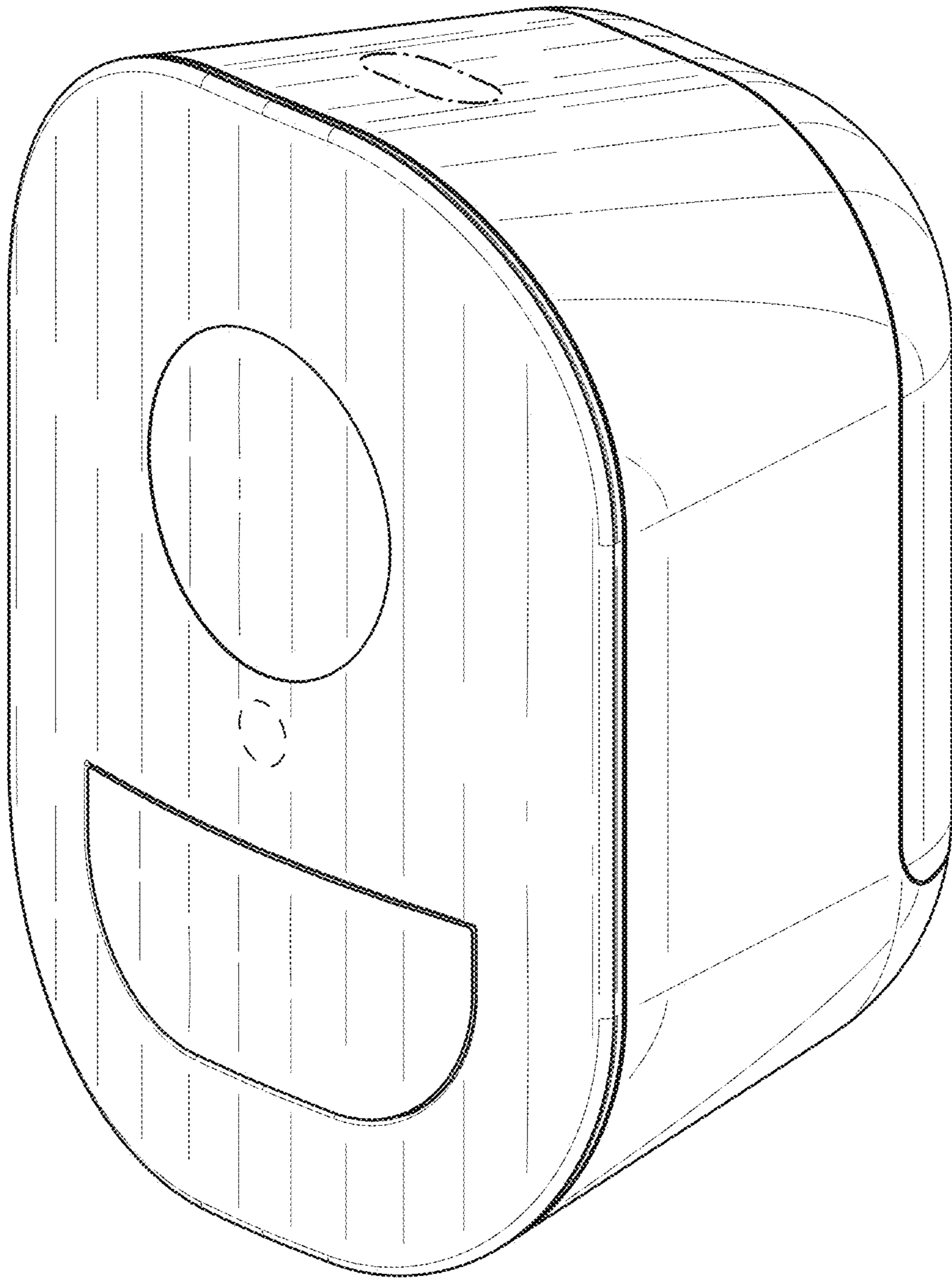


FIG. 1

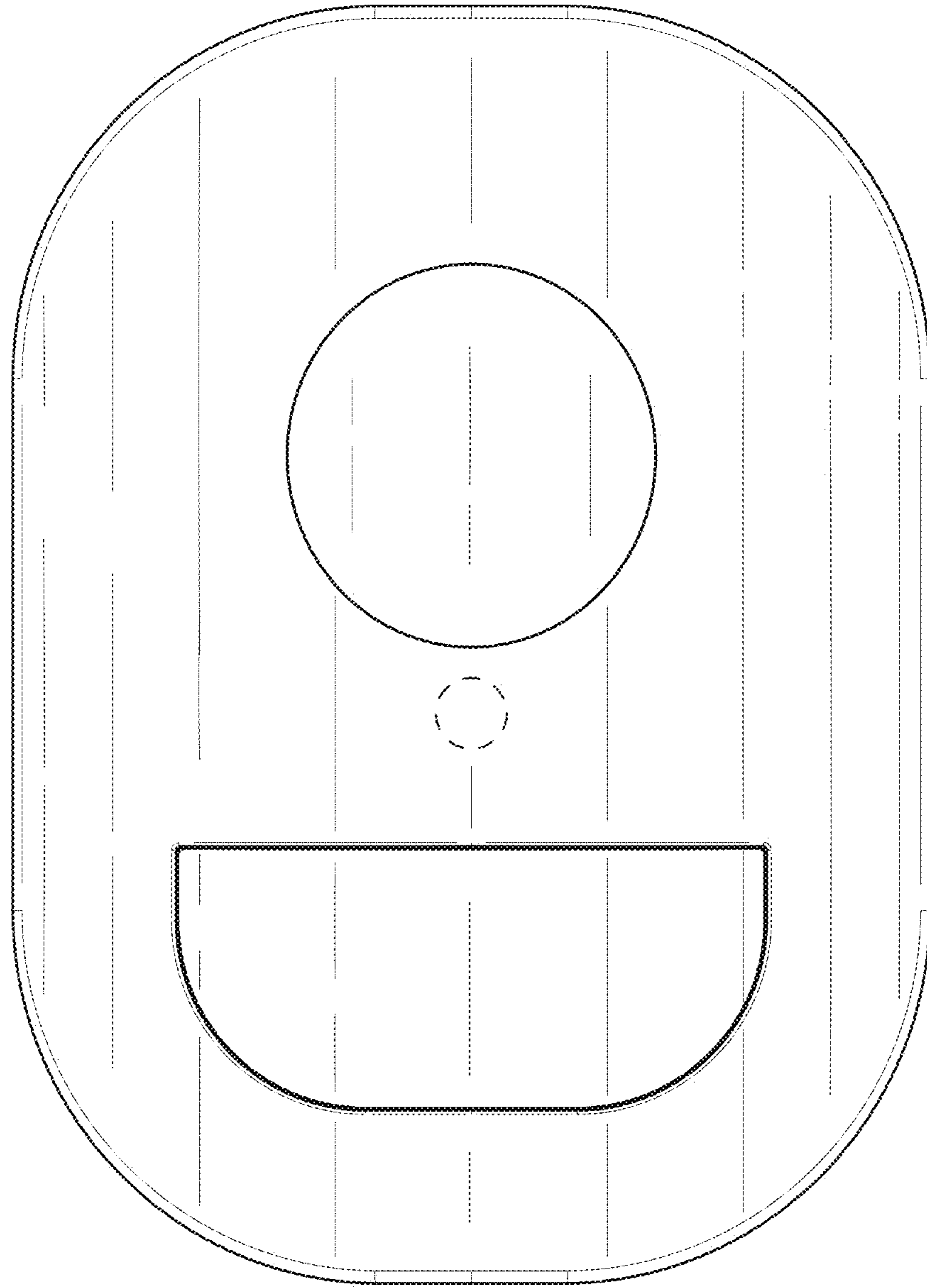


FIG. 2

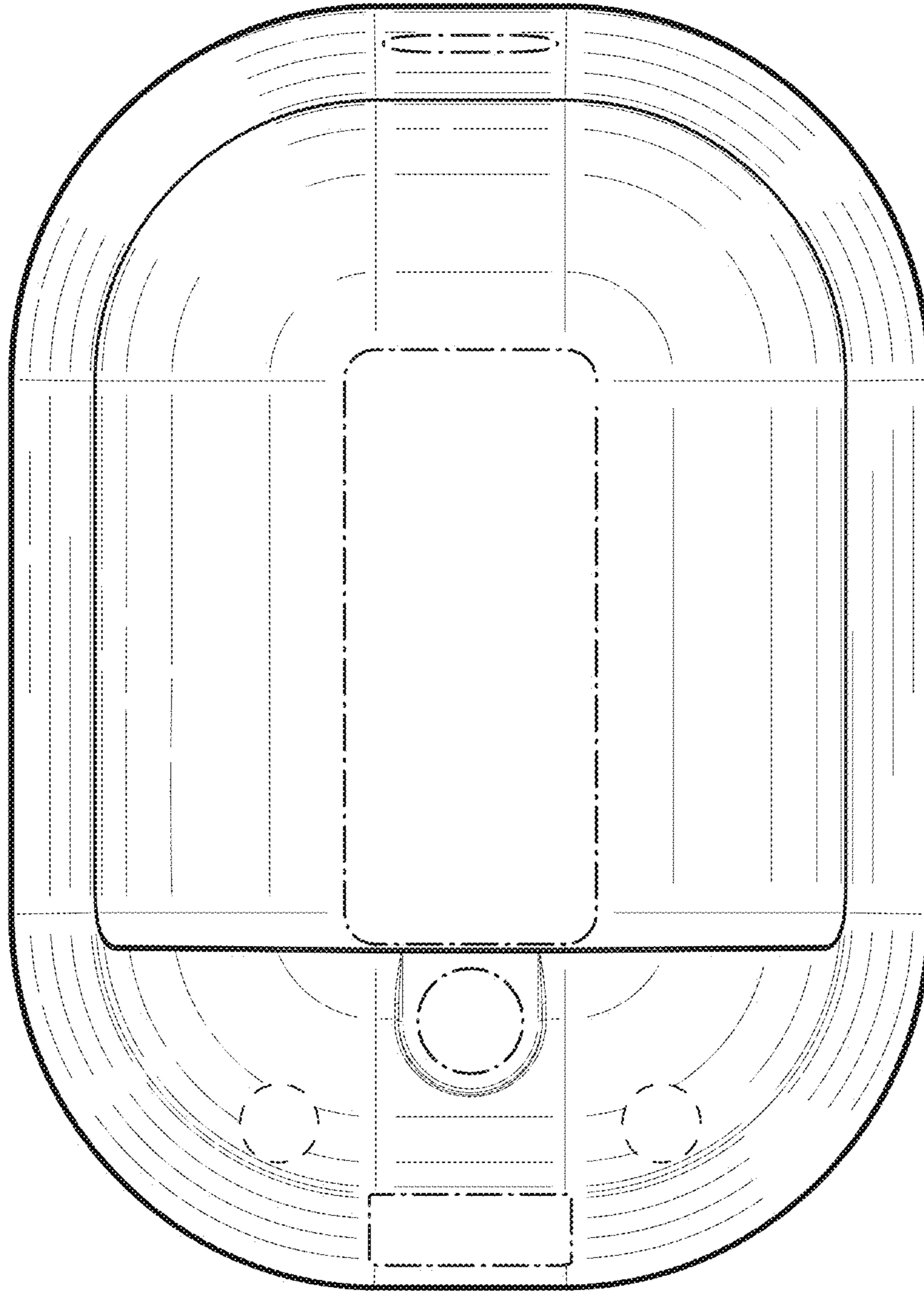


FIG. 3

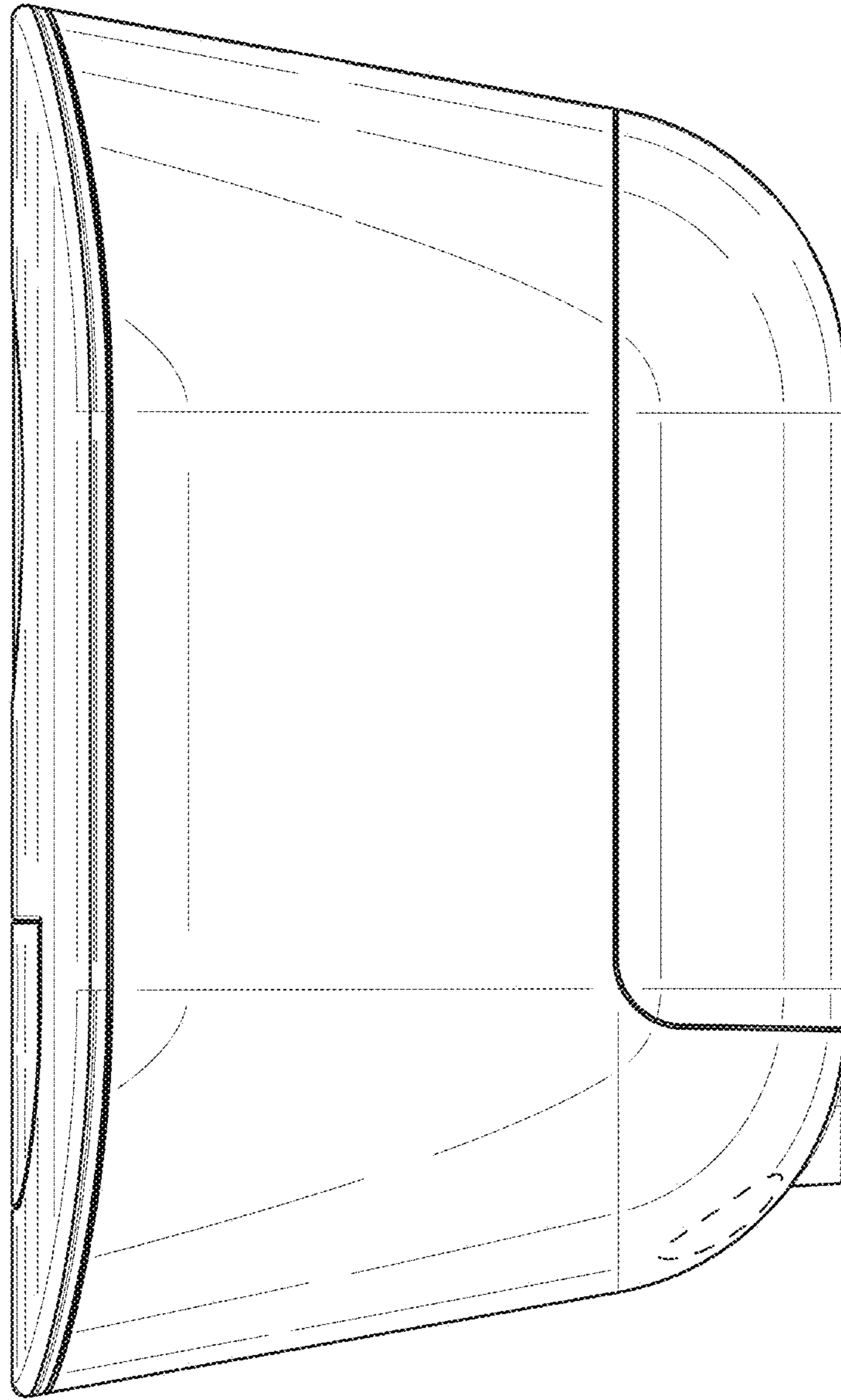


FIG. 4

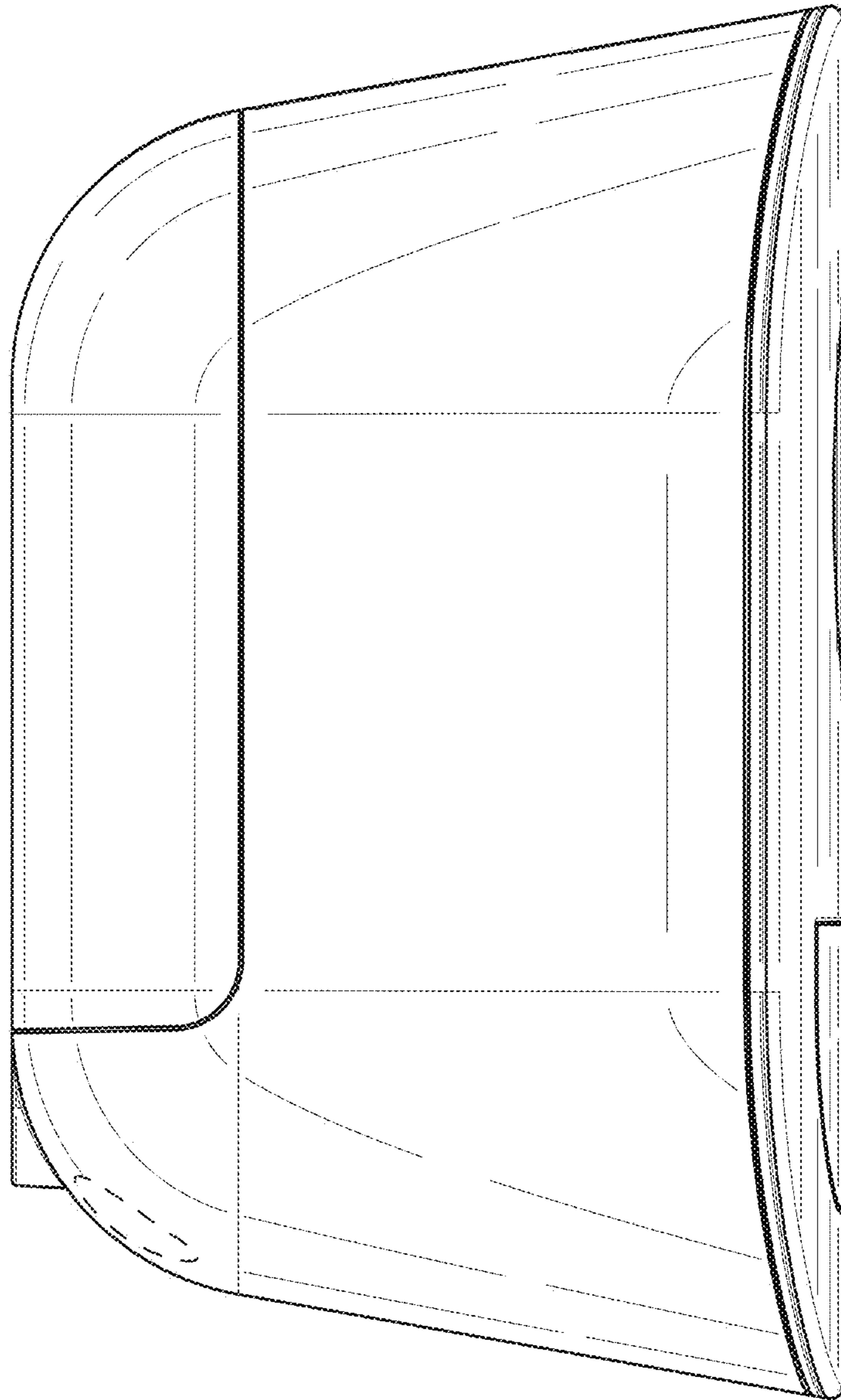


FIG. 5

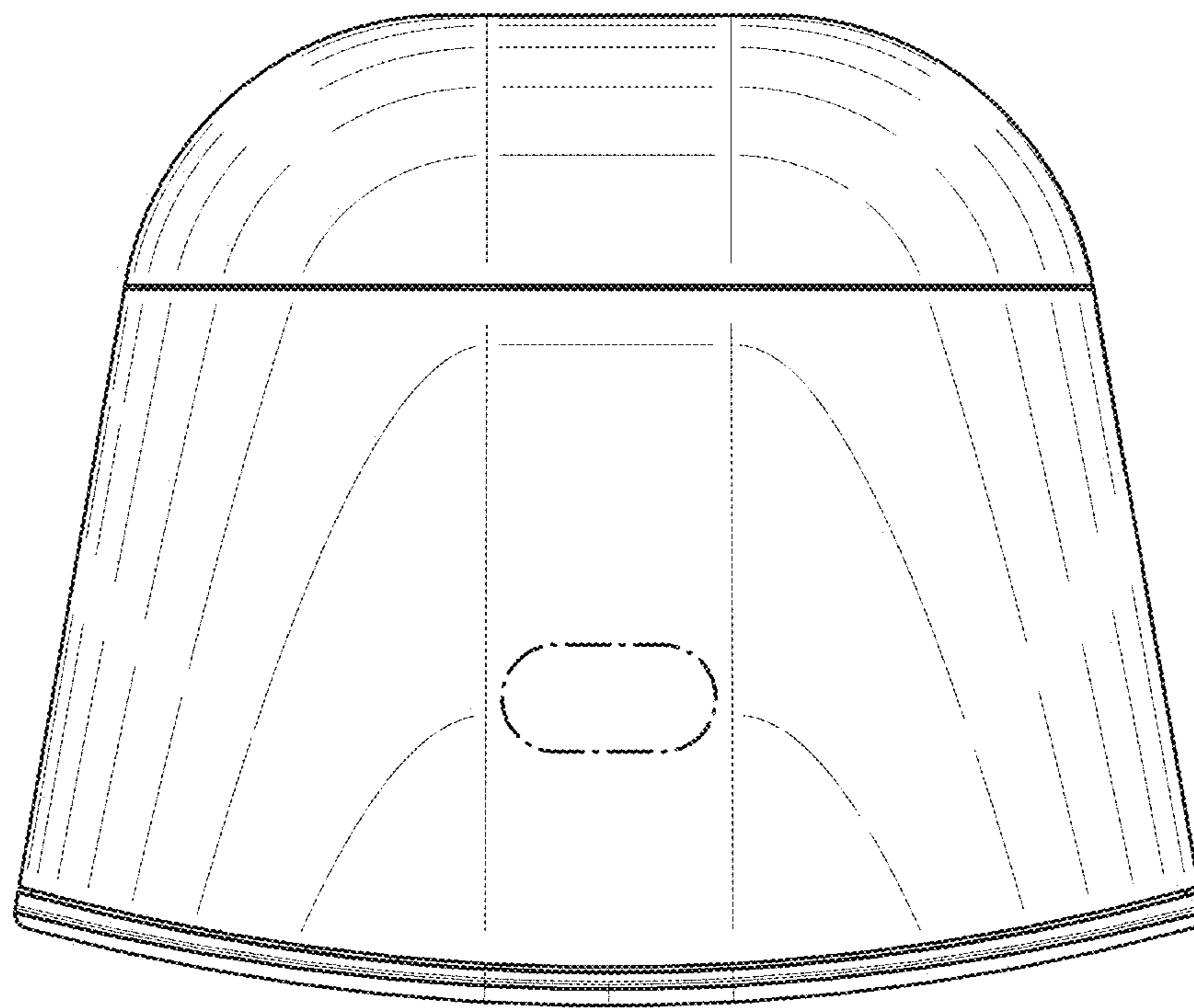


FIG. 6

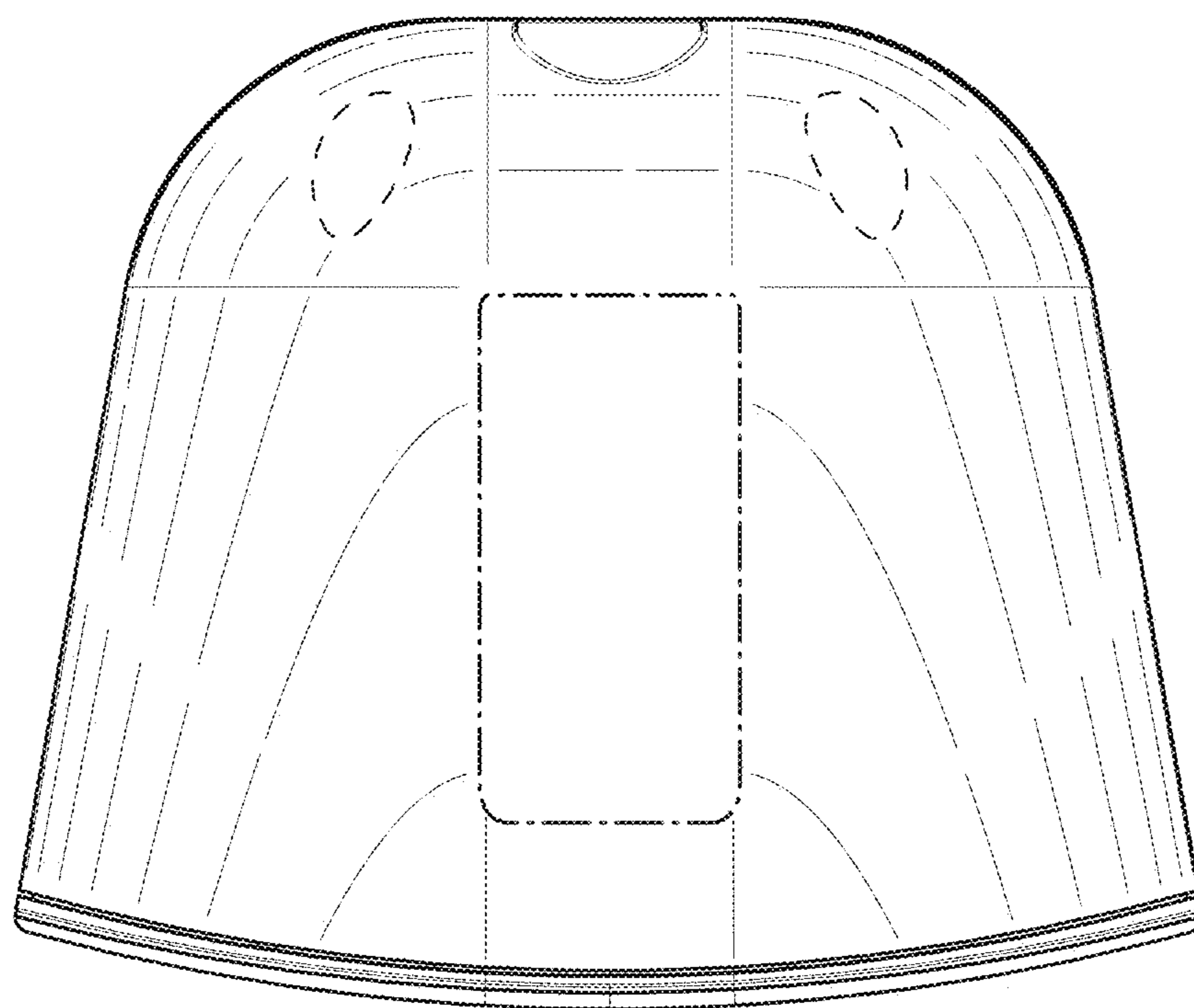


FIG. 7