



US00D907279S

(12) **United States Design Patent** (10) **Patent No.:** **US D907,279 S**  
**Bie** (45) **Date of Patent:** **\*\* Jan. 5, 2021**

(54) **MAGLEV LAMP**

(71) Applicant: **Ying Bie**, Shenzhen (CN)

(72) Inventor: **Ying Bie**, Shenzhen (CN)

(\*\*) Term: **15 Years**

(21) Appl. No.: **29/663,075**

(22) Filed: **Sep. 12, 2018**

(30) **Foreign Application Priority Data**

Jun. 6, 2018 (GB) ..... 6036690

(51) **LOC (13) Cl.** ..... **26-05**

(52) **U.S. Cl.**  
USPC ..... **D26/93**

(58) **Field of Classification Search**  
USPC ... D26/1, 2, 22, 24, 72, 76, 78, 80, 93, 106,  
D26/104, 110, 112, 118  
CPC ..... F21V 21/025; F21V 17/08; F21V 17/10;  
F21S 8/03; F21S 8/031; F21S 8/033;  
F21S 8/036; F21S 9/03; F21S 9/037;  
F21S 6/002; F21S 6/004; F21S 6/005  
See application file for complete search history.

(56) **References Cited**

U.S. PATENT DOCUMENTS

4,029,954 A \* 6/1977 Moyer ..... F21L 4/085  
362/183  
D485,390 S \* 1/2004 Stancik ..... D26/104  
D658,792 S \* 5/2012 Baraky ..... D26/22  
D799,100 S \* 10/2017 Morris ..... D26/110  
D827,164 S \* 8/2018 Jiang ..... D26/2

D830,586 S \* 10/2018 Jiang ..... D26/2  
D830,587 S \* 10/2018 Wu ..... D26/2  
D832,470 S \* 10/2018 Wu ..... D26/2  
D838,008 S \* 1/2019 Wang ..... D26/2  
D838,009 S \* 1/2019 Wang ..... D26/2  
D862,776 S \* 10/2019 Bie ..... D26/110  
D879,330 S \* 3/2020 Chen ..... D26/2  
D880,017 S \* 3/2020 Chen ..... D26/2  
10,663,117 B2 \* 5/2020 Chen ..... F21V 23/006  
10,760,754 B2 \* 9/2020 Grandadam ..... F21K 9/237  
2011/0248807 A1 \* 10/2011 Wang ..... A63H 33/26  
335/296  
2016/0369949 A1 \* 12/2016 Wu ..... F21K 9/23  
2019/0264877 A1 \* 8/2019 Grandadam ..... F21V 23/0435  
2020/0208797 A1 \* 7/2020 Grandadam ..... F21S 8/031

\* cited by examiner

*Primary Examiner* — Wan Laymon  
*Assistant Examiner* — Clint A Samuel  
(74) *Attorney, Agent, or Firm* — W&K IP

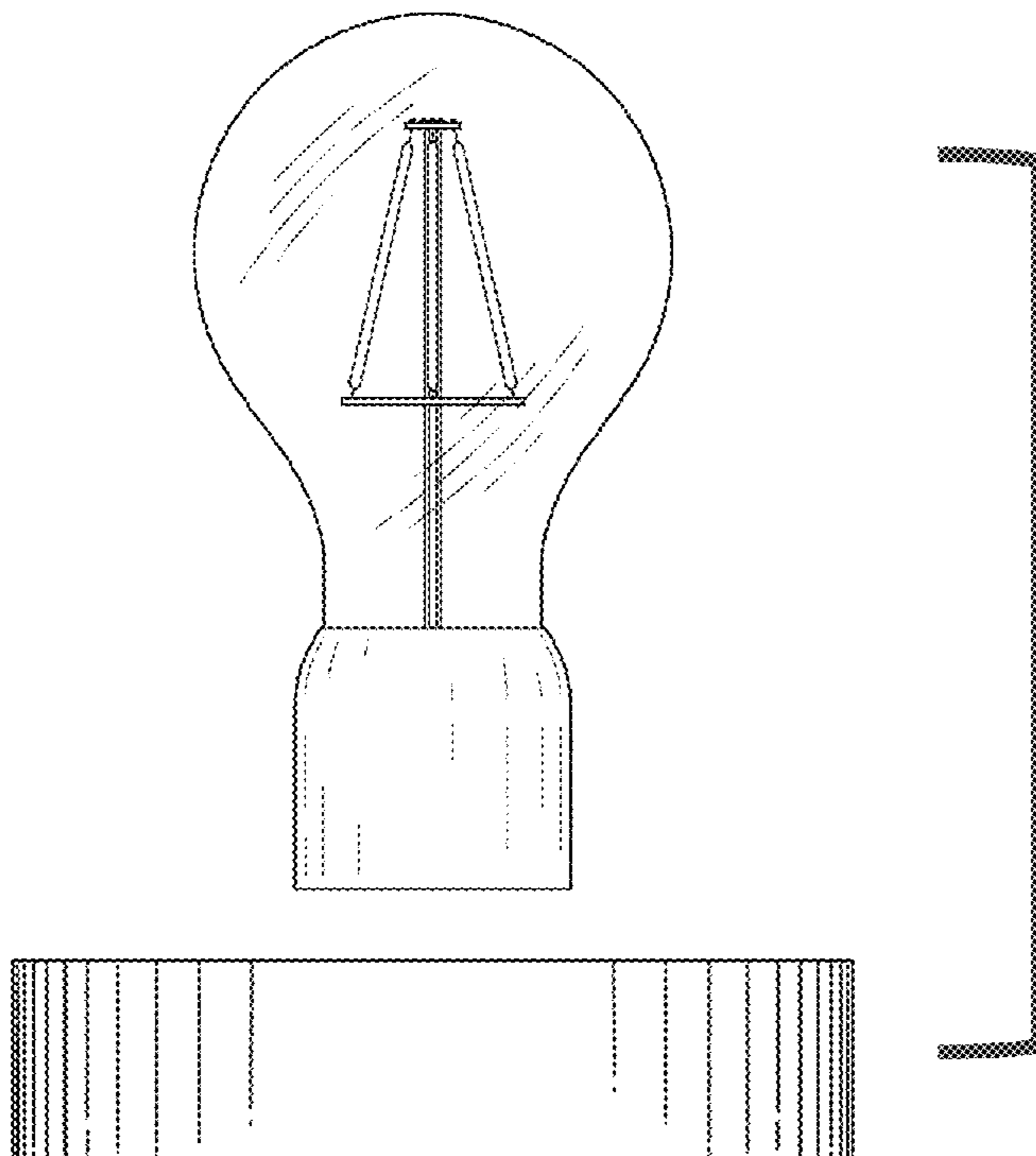
(57) **CLAIM**

The ornamental design for a maglev lamp, as shown and described.

**DESCRIPTION**

FIG. 1 is a front view of a maglev lamp showing my new design;  
FIG. 2 is a rear view thereof;  
FIG. 3 is a left side view thereof;  
FIG. 4 is a right side view thereof;  
FIG. 5 is a top plan view thereof; and,  
FIG. 6 is a bottom plan view thereof.  
The broken lines show portions of the article which form no part of the claimed design.

**1 Claim, 6 Drawing Sheets**



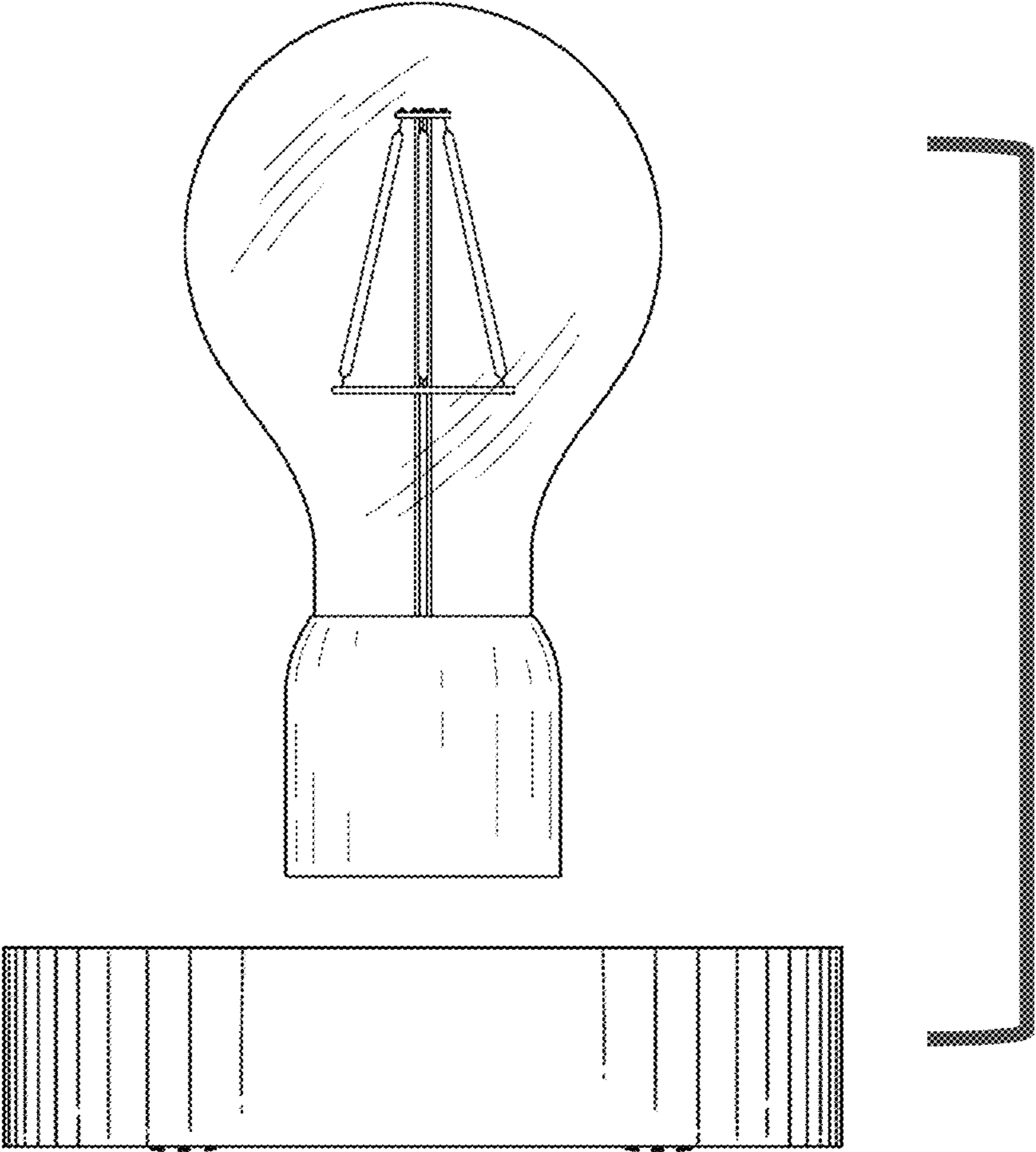


FIG. 1

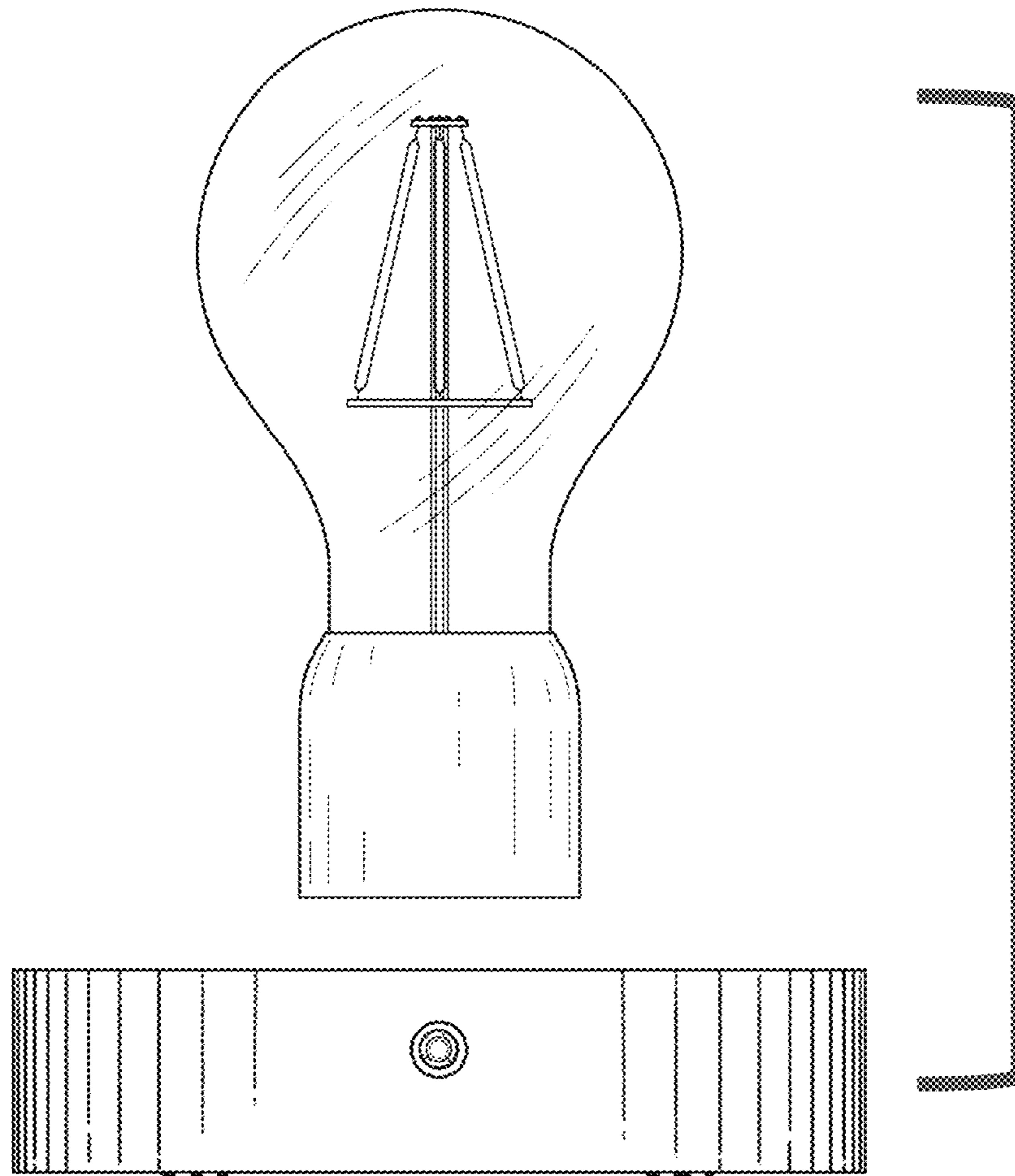


FIG.2

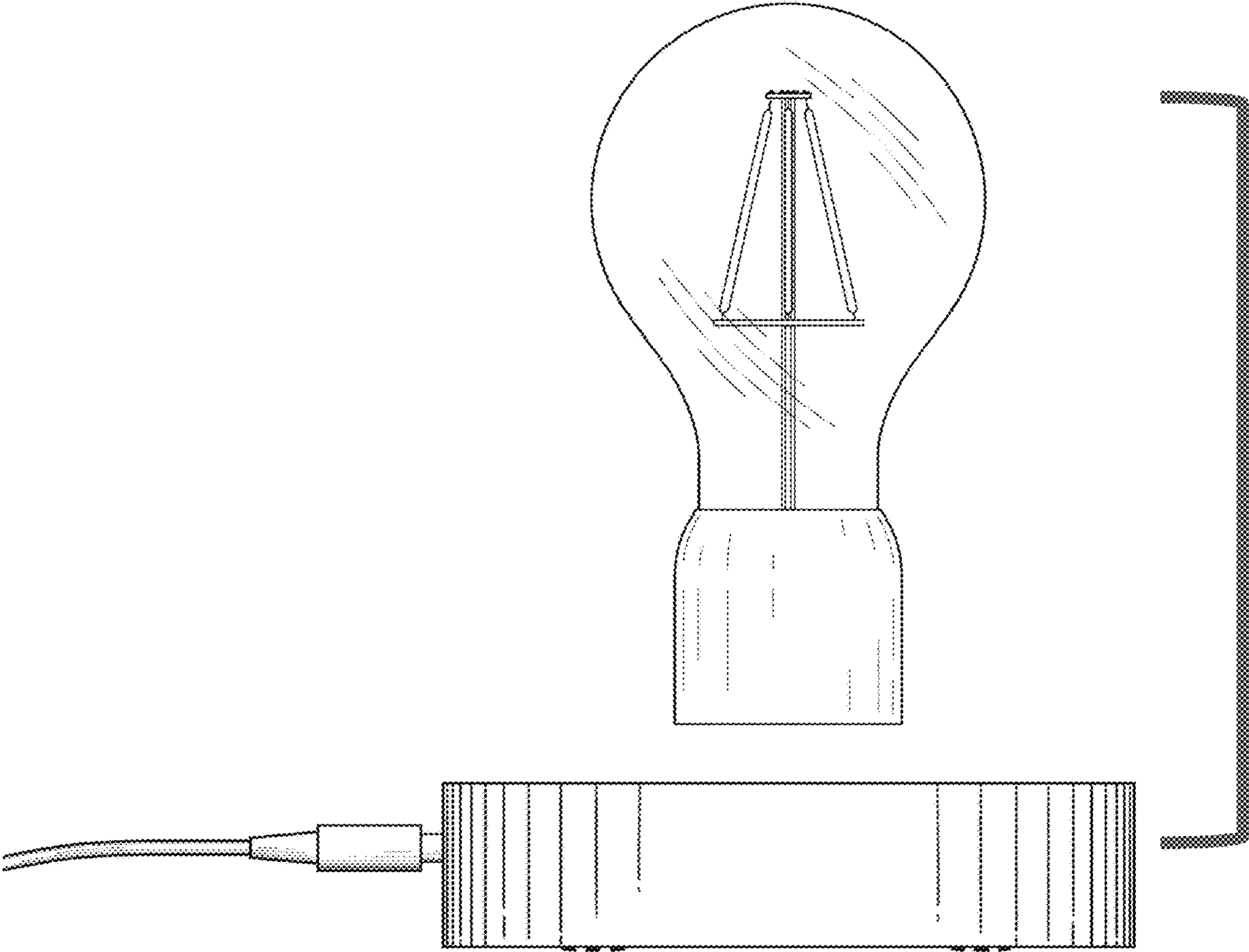


FIG.3

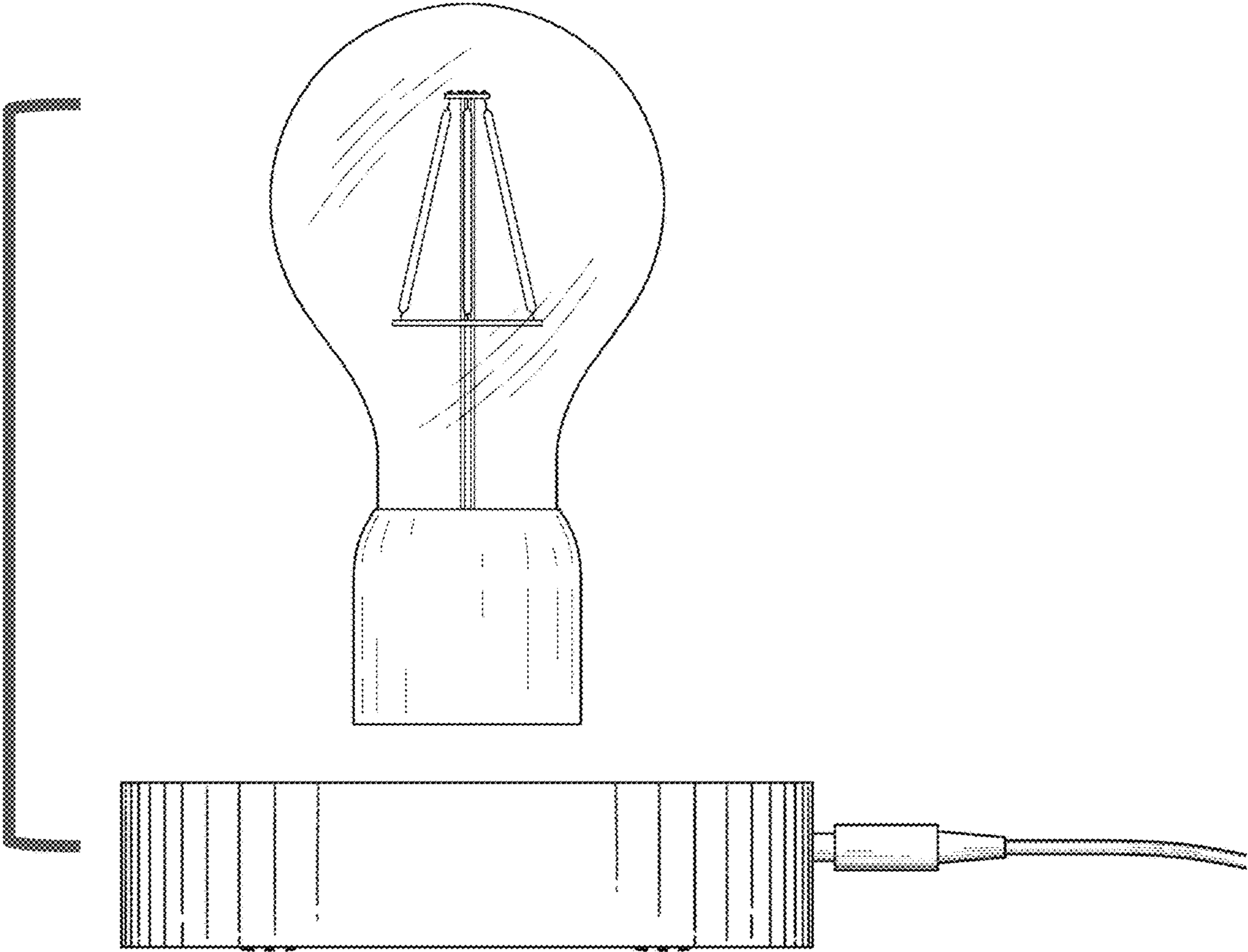


FIG.4

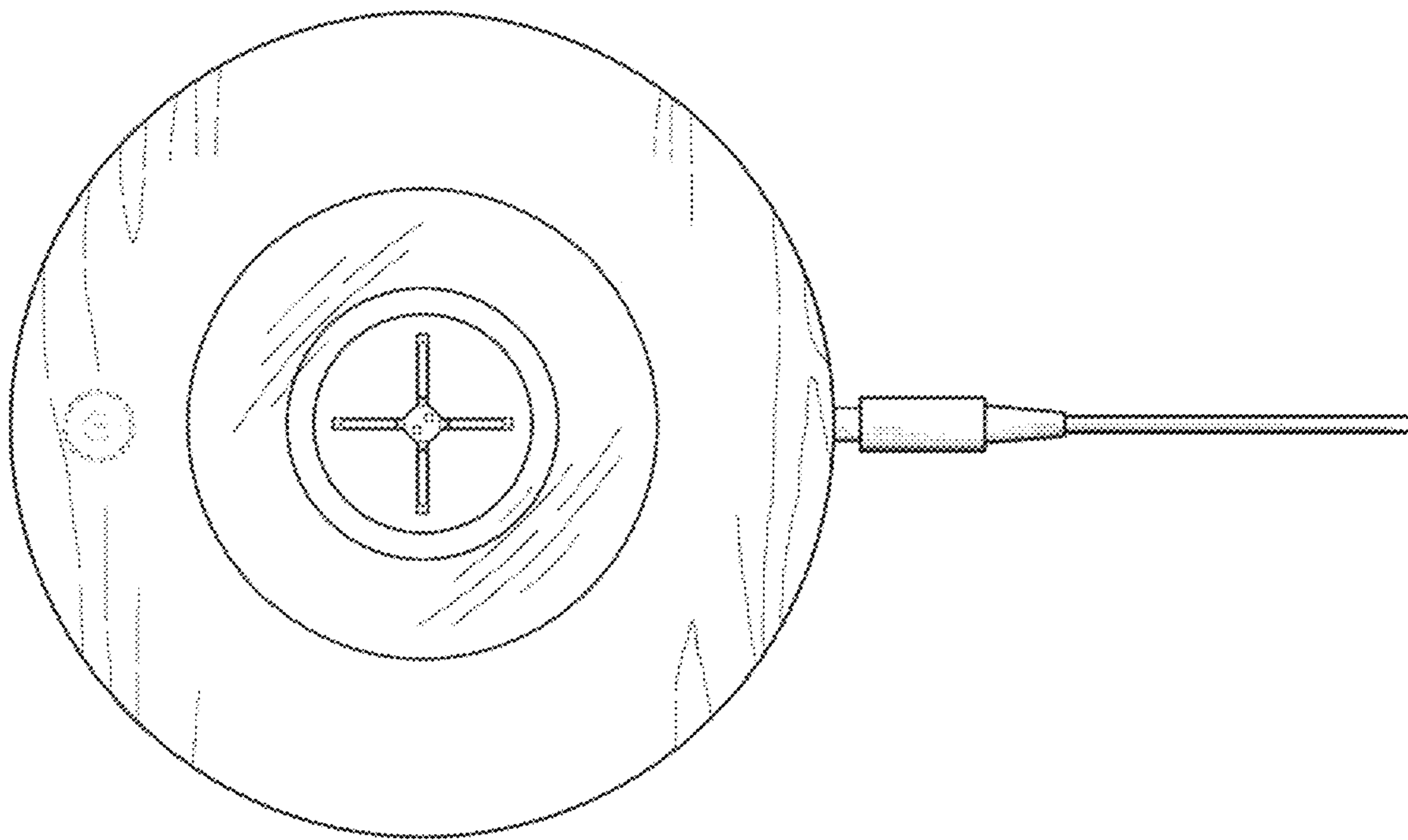


Fig. 5

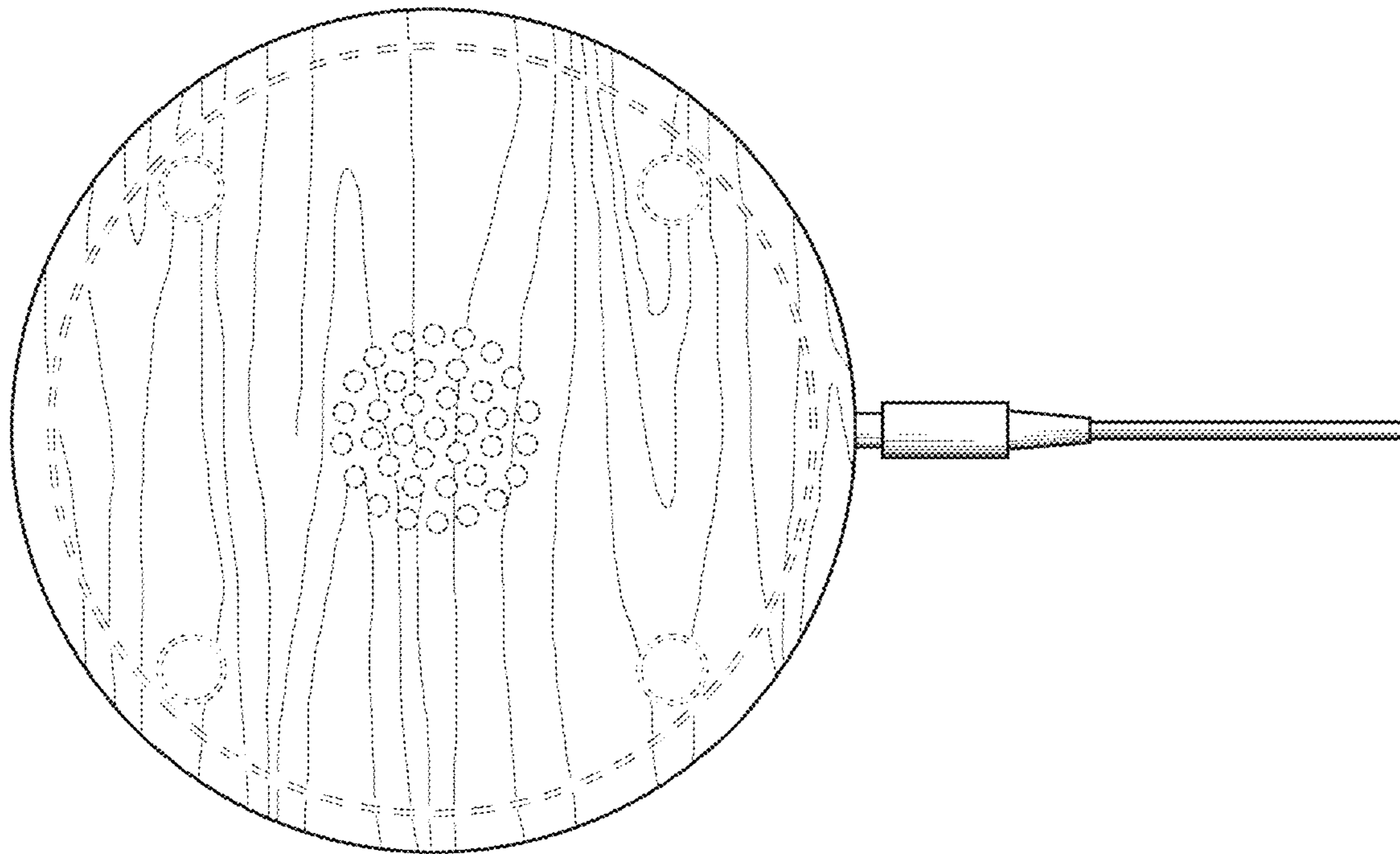


FIG.6