



US00D907277S

(12) **United States Design Patent**  
**Jiang**

(10) **Patent No.:** **US D907,277 S**

(45) **Date of Patent:** **\*\* Jan. 5, 2021**

(54) **LAMP**

D864,456 S \* 10/2019 Lin ..... D26/76  
D887,614 S \* 6/2020 Lin ..... D26/85  
D893,791 S \* 8/2020 Lin ..... D26/87

(71) Applicant: **Xiaoli Jiang**, Guangdong (CN)

(72) Inventor: **Xiaoli Jiang**, Guangdong (CN)

(\*\*) Term: **15 Years**

(21) Appl. No.: **29/740,232**

(22) Filed: **Jul. 1, 2020**

(51) **LOC (13) Cl.** ..... **26-03**

(52) **U.S. Cl.**  
USPC ..... **D26/87**

(58) **Field of Classification Search**  
USPC ..... D26/72, 76, 80, 85-87, 92  
CPC .... F21S 8/03; F21S 8/031; F21S 8/033; F21S  
8/035; F21S 8/036  
See application file for complete search history.

(56) **References Cited**

**U.S. PATENT DOCUMENTS**

D557,442 S \* 12/2007 Niemier ..... D26/76  
D581,080 S \* 11/2008 Mier-Langner ..... D26/63  
D608,488 S \* 1/2010 Miranda ..... D26/87  
D724,776 S \* 3/2015 Sonneman ..... D26/85  
D796,108 S \* 8/2017 Boorom ..... D26/87  
D816,882 S \* 5/2018 Qiao ..... D26/86  
D822,233 S 7/2018 Wang et al.  
D830,609 S \* 10/2018 Sonneman ..... D26/87

**OTHER PUBLICATIONS**

LED Bath Mirror Light waterproof, anti-fog adjustable by Vanity Lights available at amazon.com Apr. 12, 2019. (Year: 2019).\*  
AIPSUN 27.6 inch rotatable LED Bathroom Vanity Light available at amazon.com Mar. 21, 2019. (Year: 2019).\*

\* cited by examiner

*Primary Examiner* — Clare E Heflin

(74) *Attorney, Agent, or Firm* — ZANIP

(57) **CLAIM**

The ornamental design for a lamp, as shown and described.

**DESCRIPTION**

FIG. 1 is a front and top perspective view of a lamp, showing my new design;

FIG. 2 is a rear and bottom perspective view thereof;

FIG. 3 is a bottom plan view thereof;

FIG. 4 is a top plan view thereof;

FIG. 5 is a left side elevation view thereof;

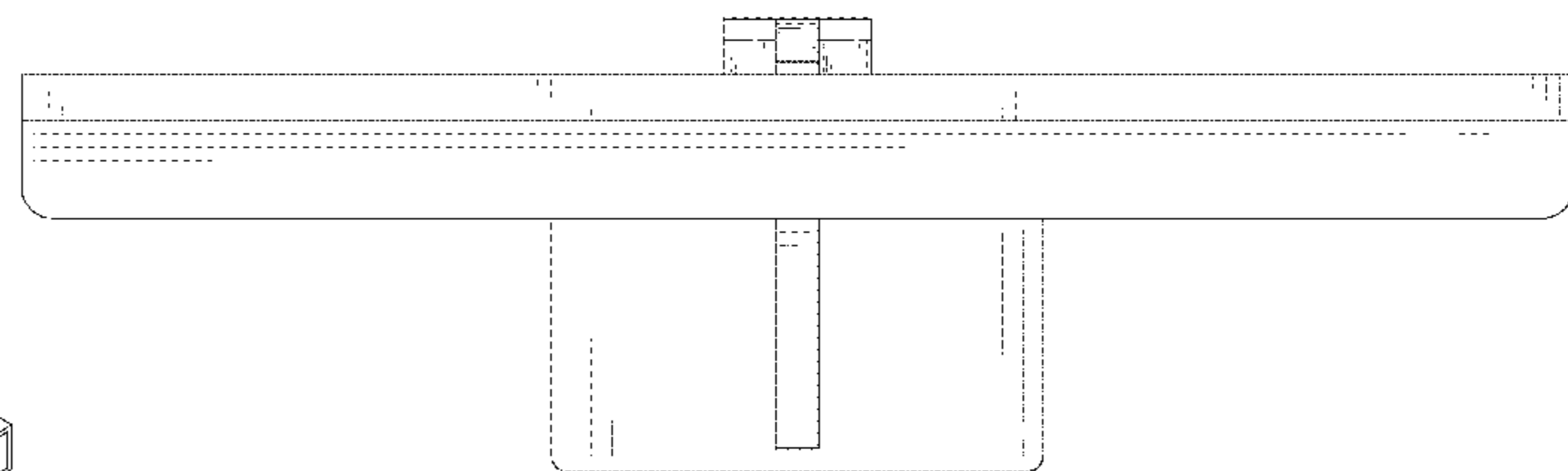
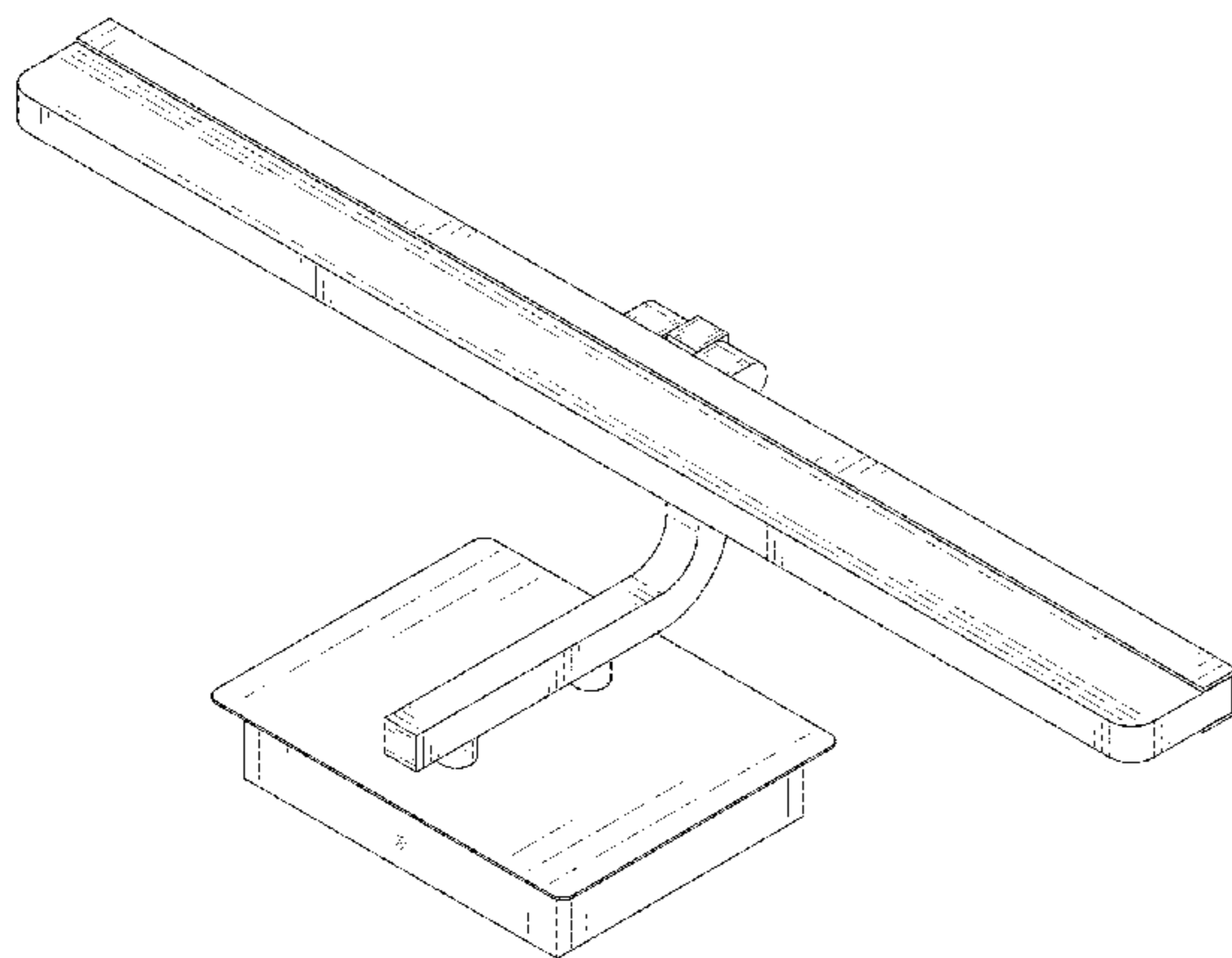
FIG. 6 is a right side elevation view thereof;

FIG. 7 is a front elevation view thereof; and,

FIG. 8 is a rear elevation view thereof.

The broken lines in the figures illustrate portions of the article that form no part of the claimed design.

**1 Claim, 8 Drawing Sheets**



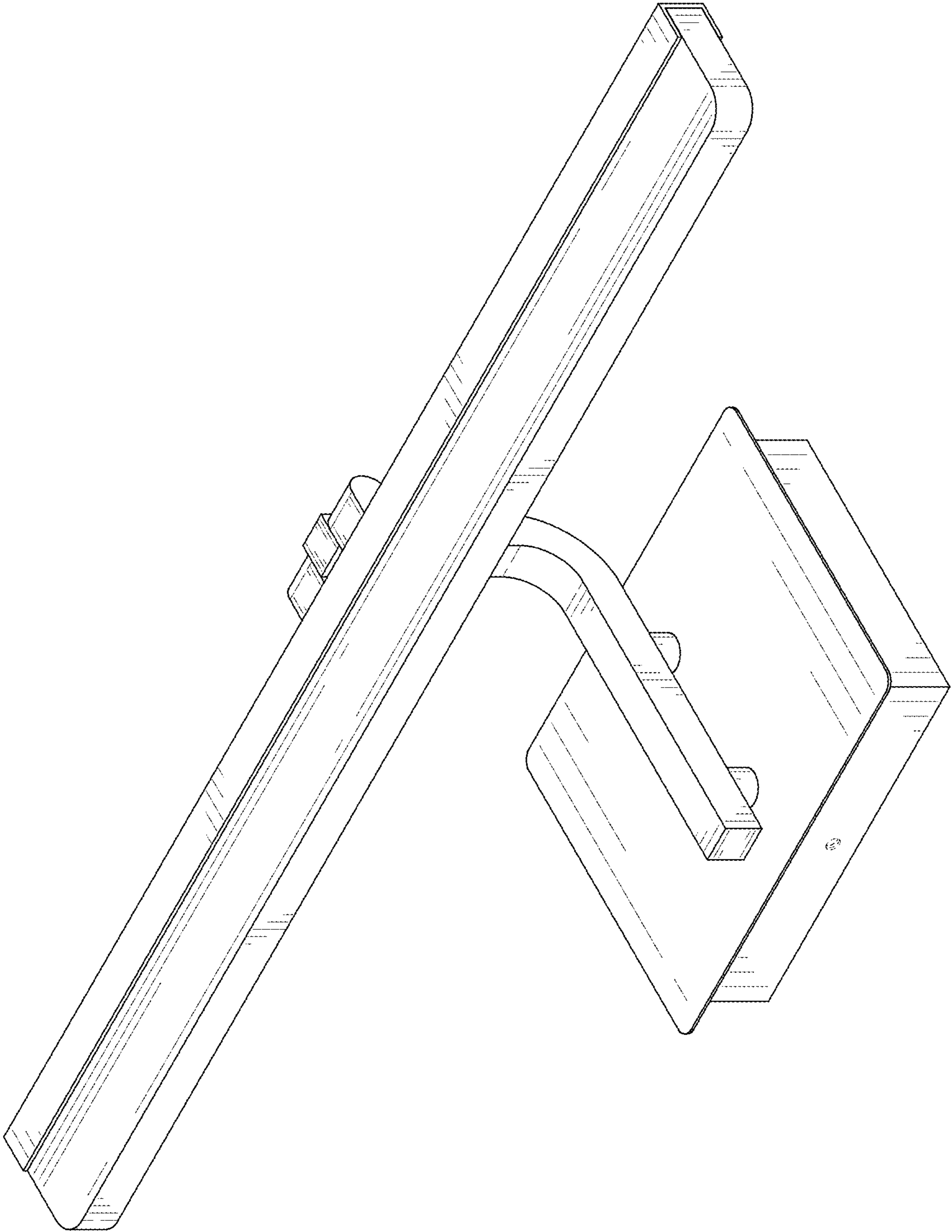


FIG. 1

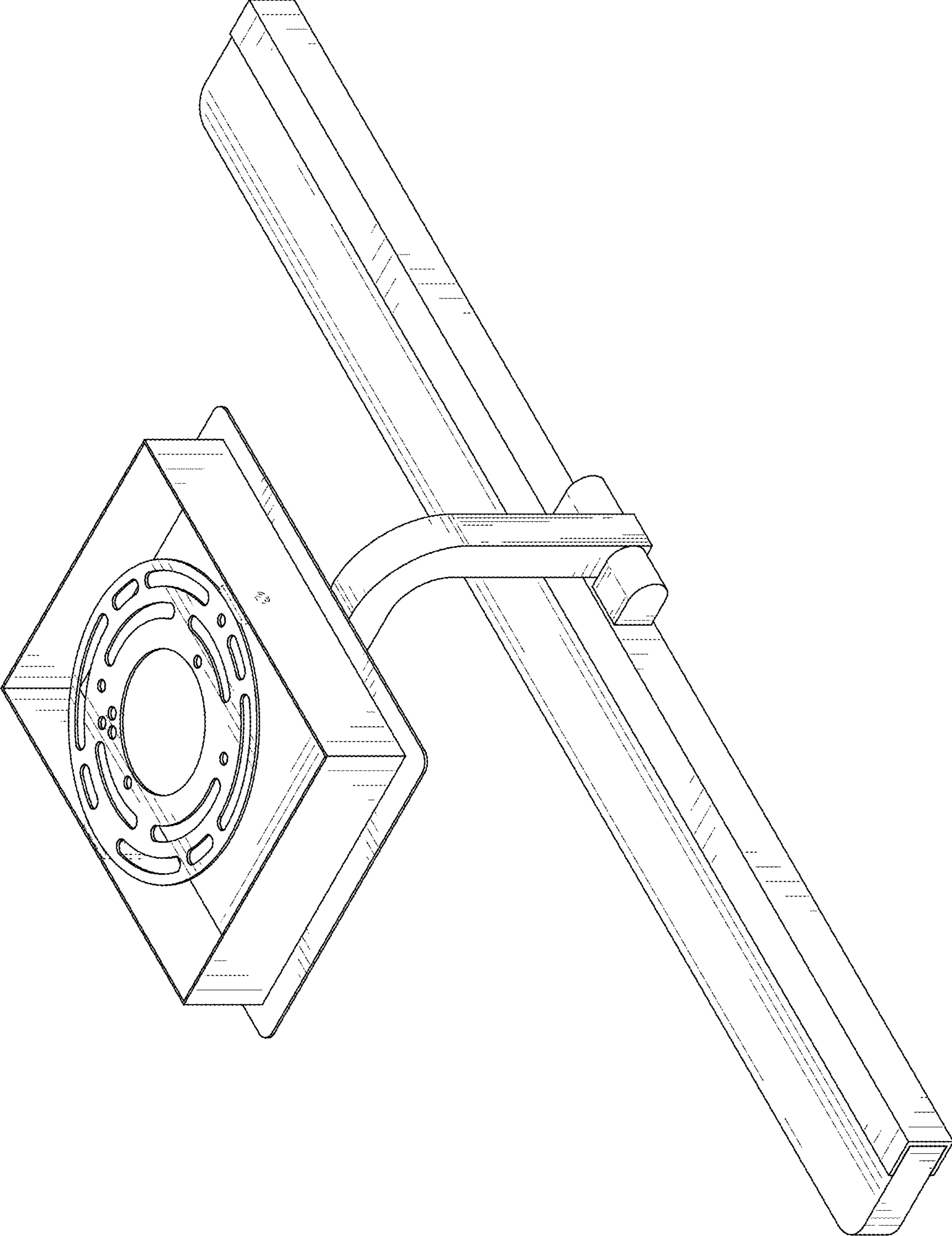


FIG. 2

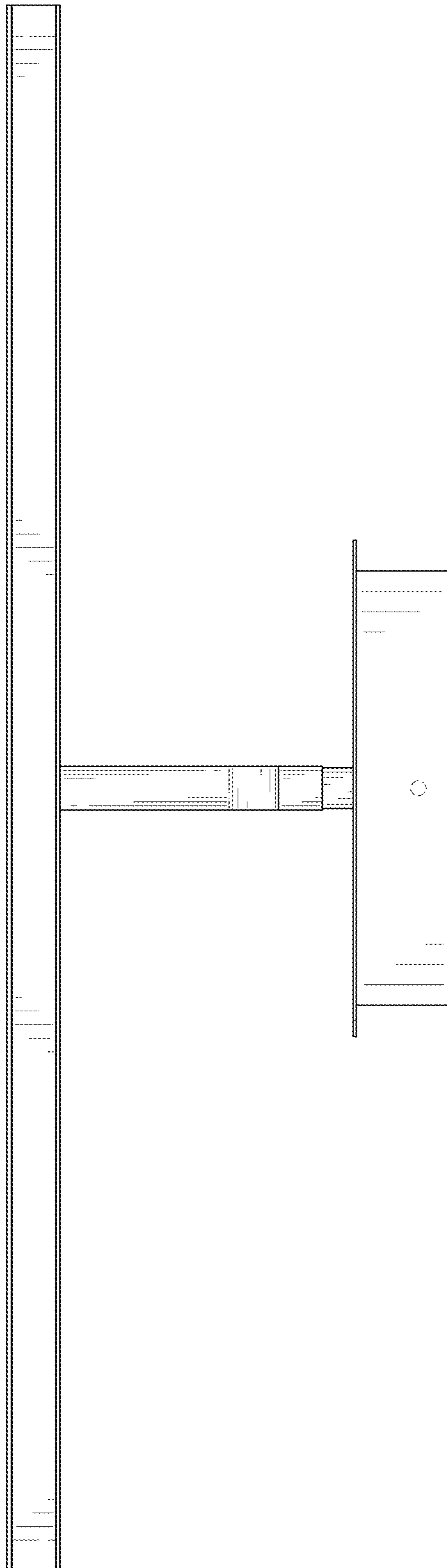


FIG. 3

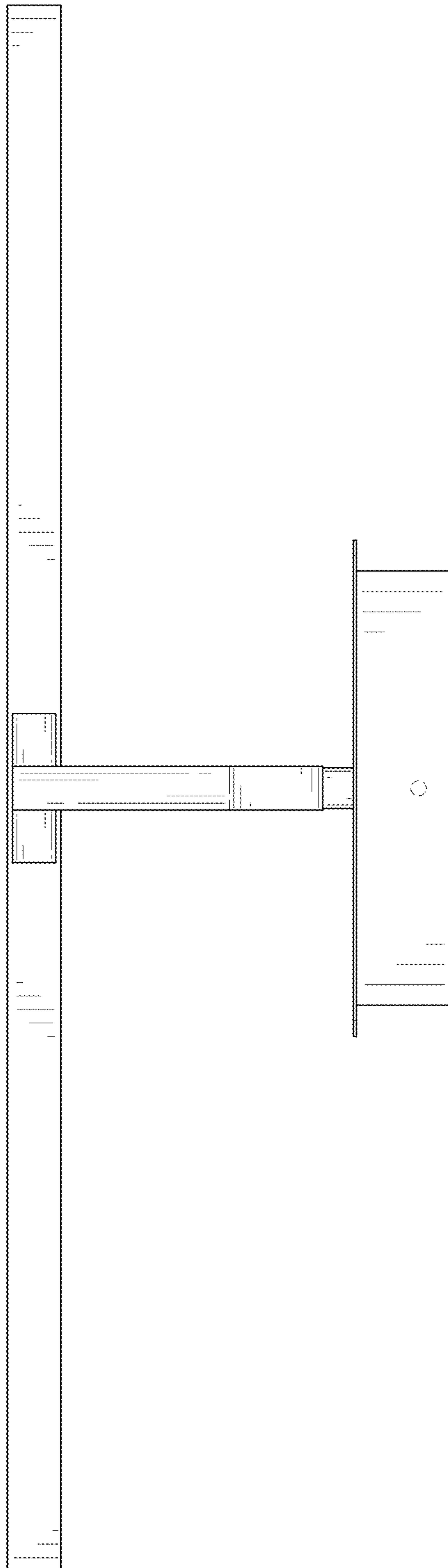


FIG. 4

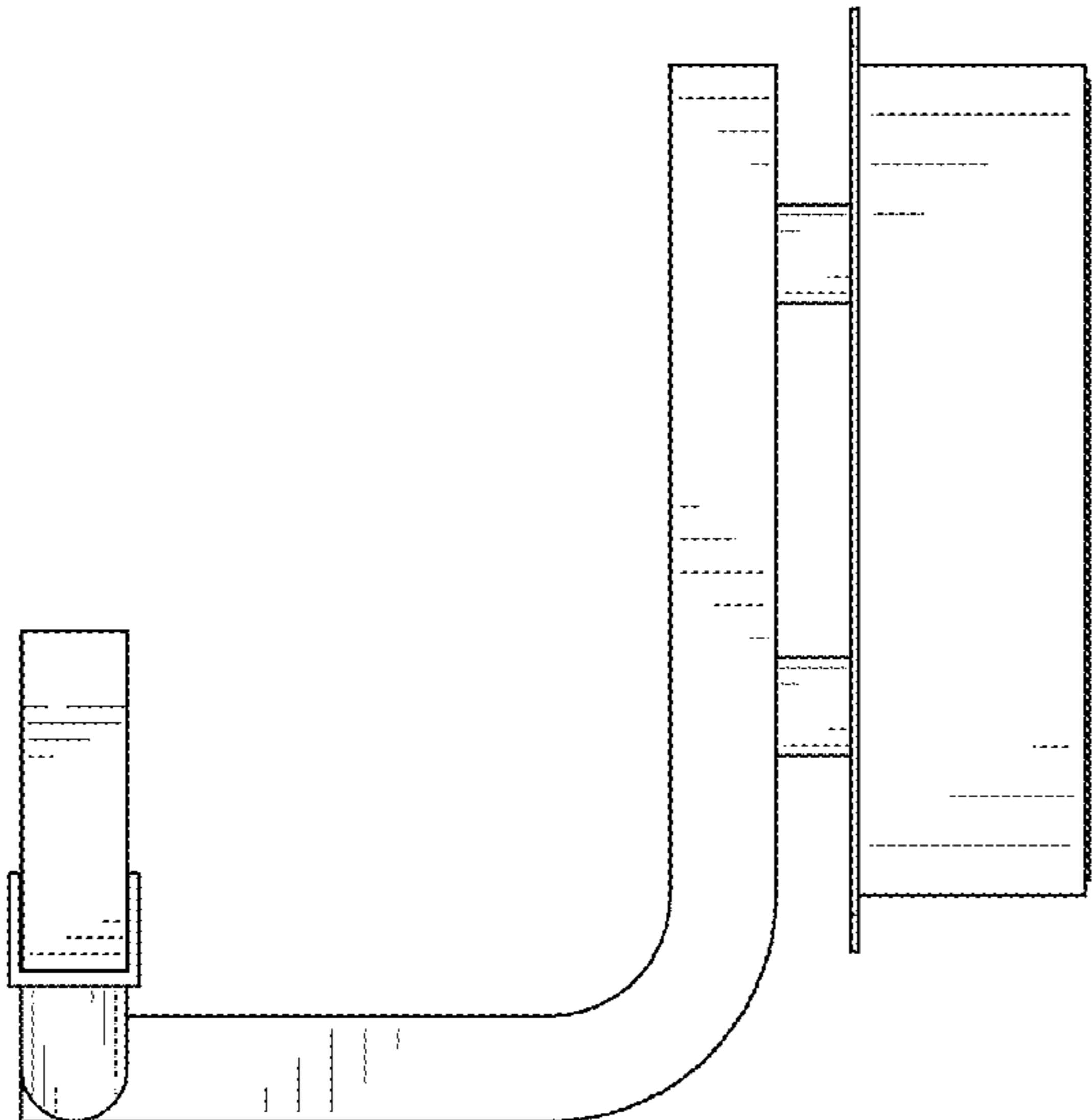


FIG. 5

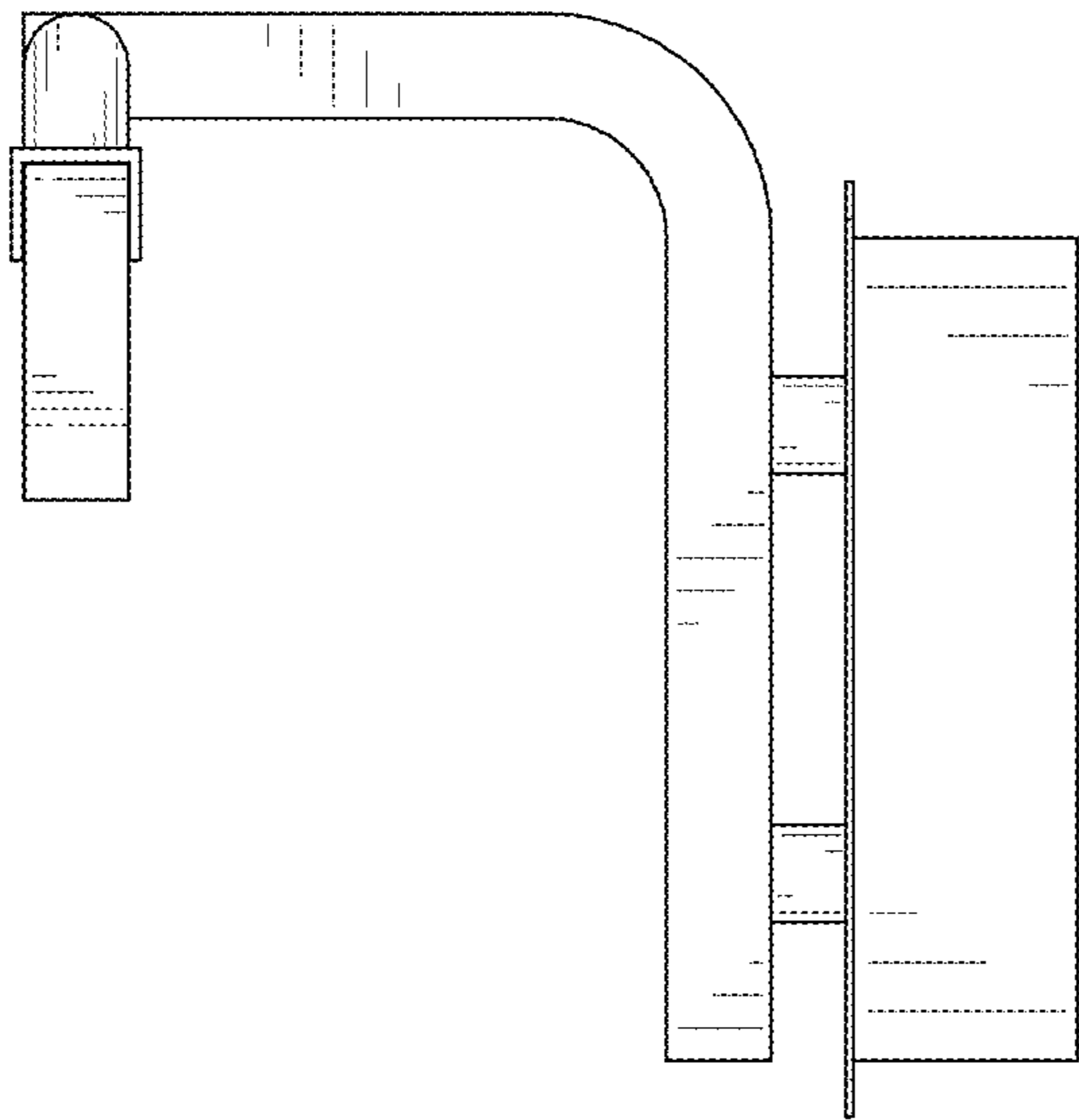


FIG. 6

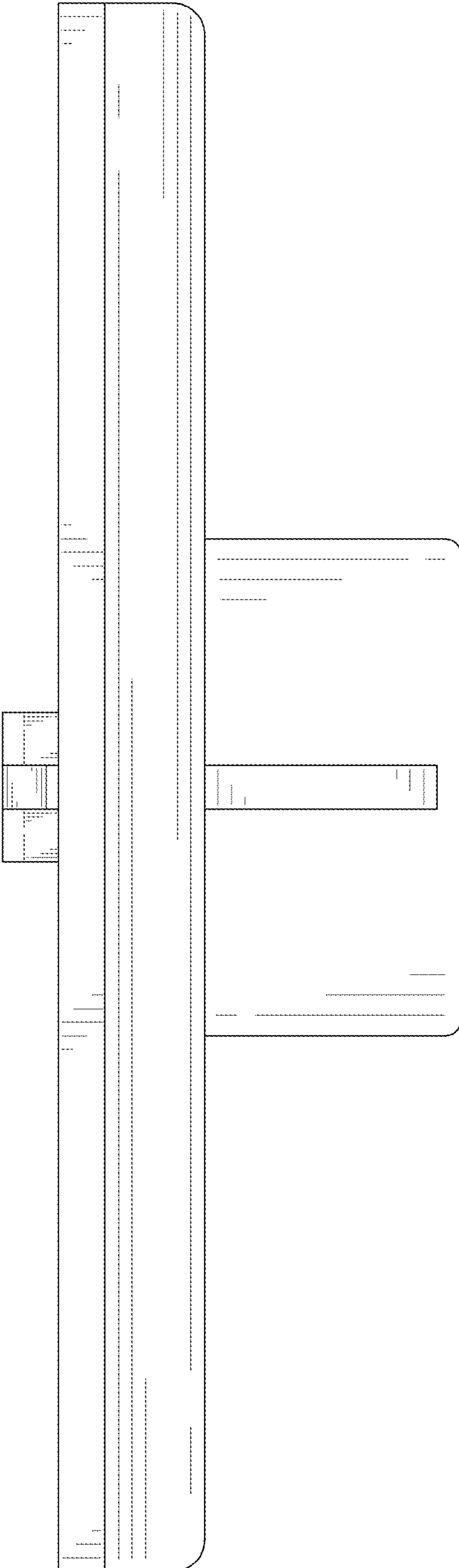


FIG. 7



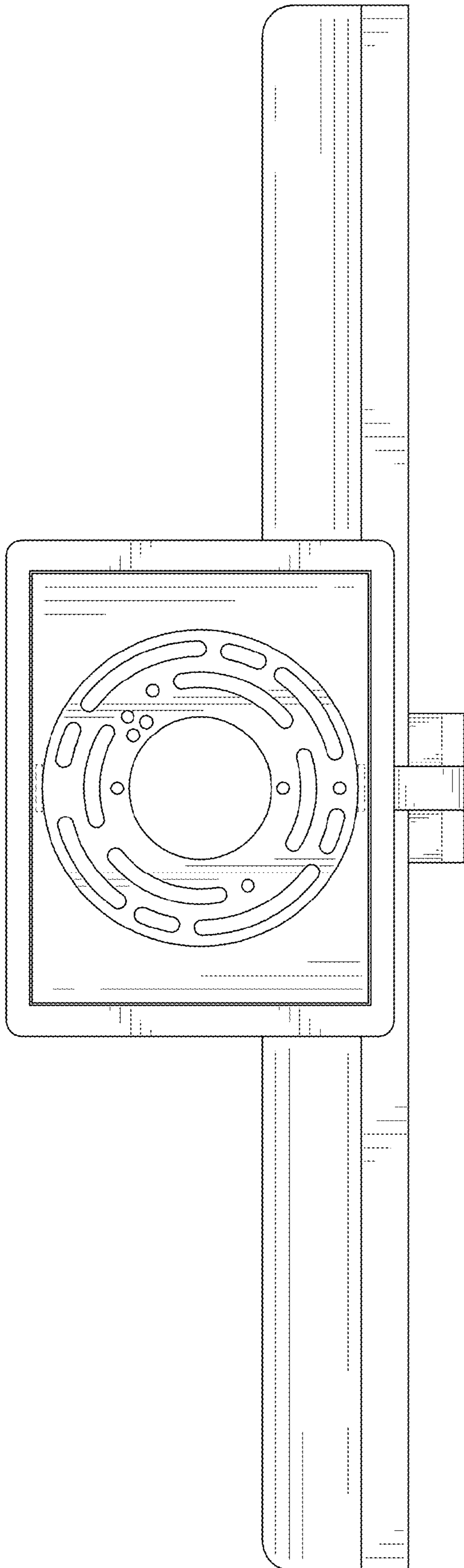


FIG. 8