



US00D907276S

(12) **United States Design Patent** (10) **Patent No.:** **US D907,276 S**
Jiang (45) **Date of Patent:** **** Jan. 5, 2021**

(54) **LAMP**

(71) Applicant: **Xiaoli Jiang**, Guangdong (CN)

(72) Inventor: **Xiaoli Jiang**, Guangdong (CN)

(**) Term: **15 Years**

(21) Appl. No.: **29/740,229**

(22) Filed: **Jul. 1, 2020**

(51) **LOC (13) Cl.** **26-03**

(52) **U.S. Cl.**
USPC **D26/87**

(58) **Field of Classification Search**
USPC D26/72, 76, 80, 85-87, 92
CPC F21S 8/03; F21S 8/031; F21S 8/033; F21S
8/035; F21S 8/036

See application file for complete search history.

(56) **References Cited**

U.S. PATENT DOCUMENTS

D152,994 S *	3/1949	McCann	D26/87
D563,013 S *	2/2008	Levine	D26/63
D576,339 S *	9/2008	Porter	D26/80
D819,868 S *	6/2018	Qiao	D26/87
D822,233 S	7/2018	Wang et al.		
D824,076 S *	7/2018	Sonneman	D26/86
D836,820 S *	12/2018	Sonneman	D26/86
D864,456 S *	10/2019	Lin	D26/76
D880,753 S *	4/2020	Ng	D26/85
D886,356 S *	6/2020	Cornelissen	D26/87
D887,614 S *	6/2020	Lin	D26/85

OTHER PUBLICATIONS

AIPSUN Black wall sconce available at amazon.com Oct. 31, 2019. (Year: 2019).*

New Slim Line Modern Frosted Bathroom Vanity Light Fixture from the Hamilton Hills Store at amazon.com Nov. 25, 2016. (Year: 2016).*

* cited by examiner

Primary Examiner — Clare E Heflin

(74) *Attorney, Agent, or Firm* — ZANIP

(57) **CLAIM**

The ornamental design for a lamp, as shown and described.

DESCRIPTION

FIG. 1 is a front and top perspective view of a lamp, showing my new design;

FIG. 2 is a rear and bottom perspective view thereof;

FIG. 3 is a top plan view thereof;

FIG. 4 is a bottom plan view thereof;

FIG. 5 is a left side elevation view thereof;

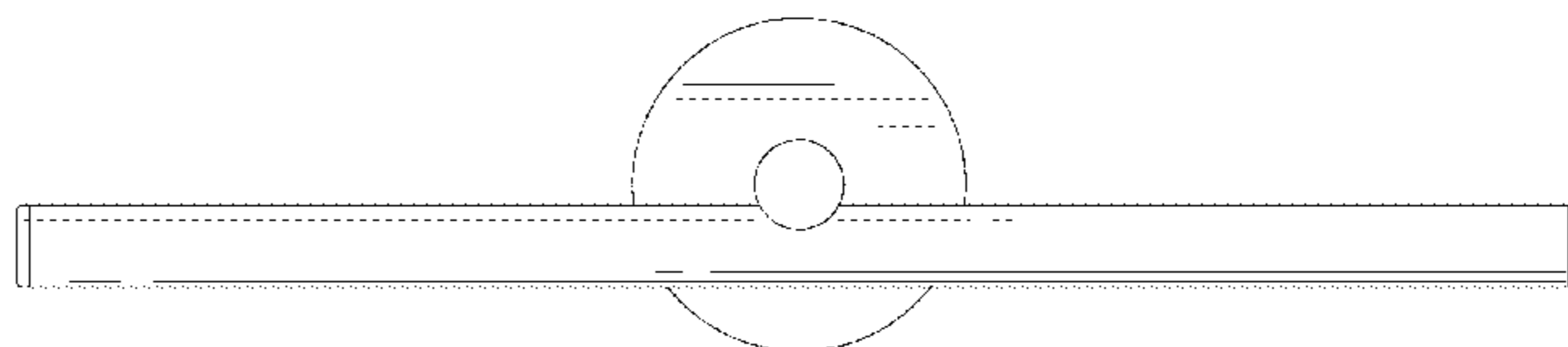
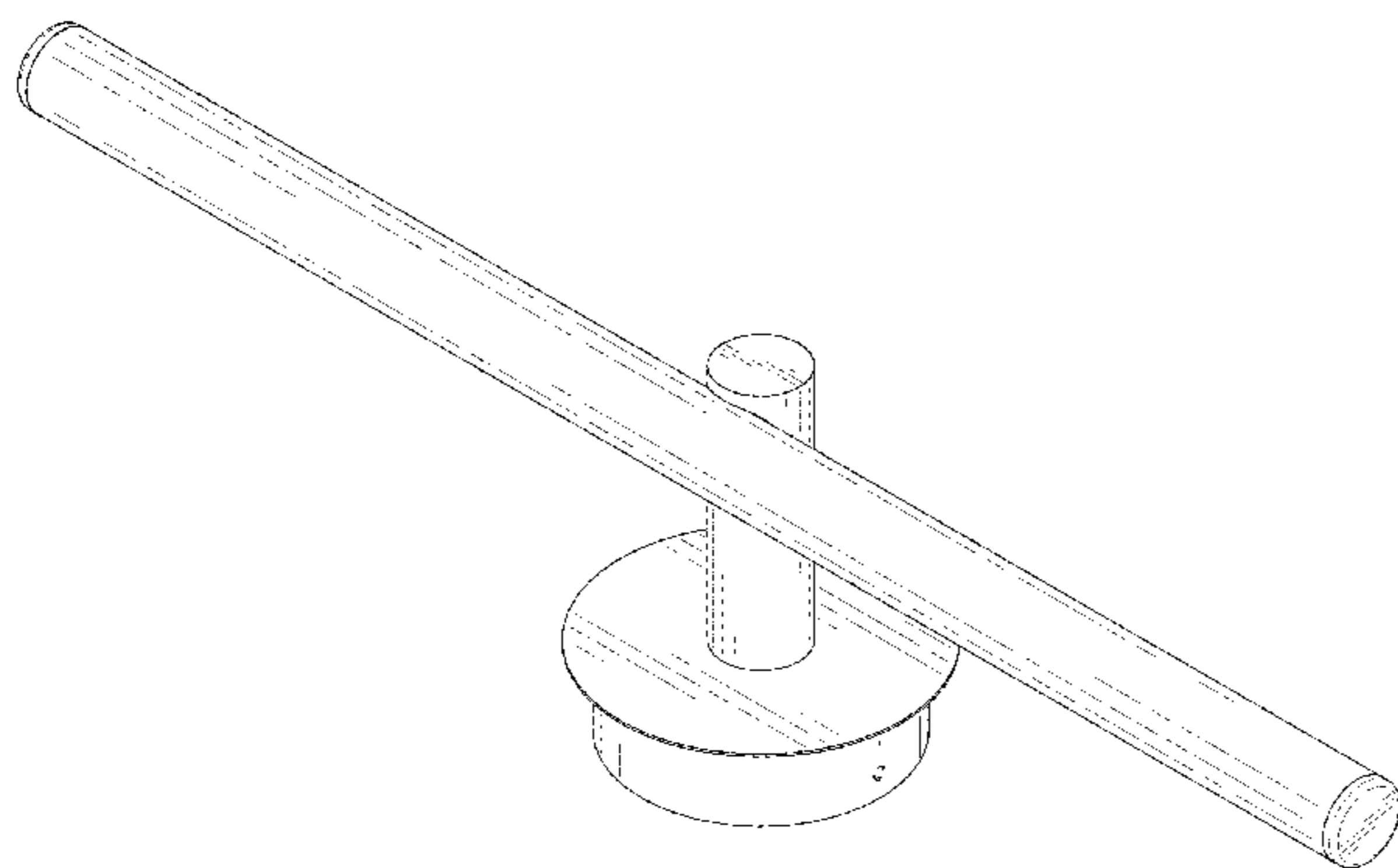
FIG. 6 is a right side elevation view thereof;

FIG. 7 is a front elevation view thereof; and,

FIG. 8 is a rear elevation view thereof.

The broken lines in the figures illustrate portions of the article that form no part of the claimed design.

1 Claim, 8 Drawing Sheets



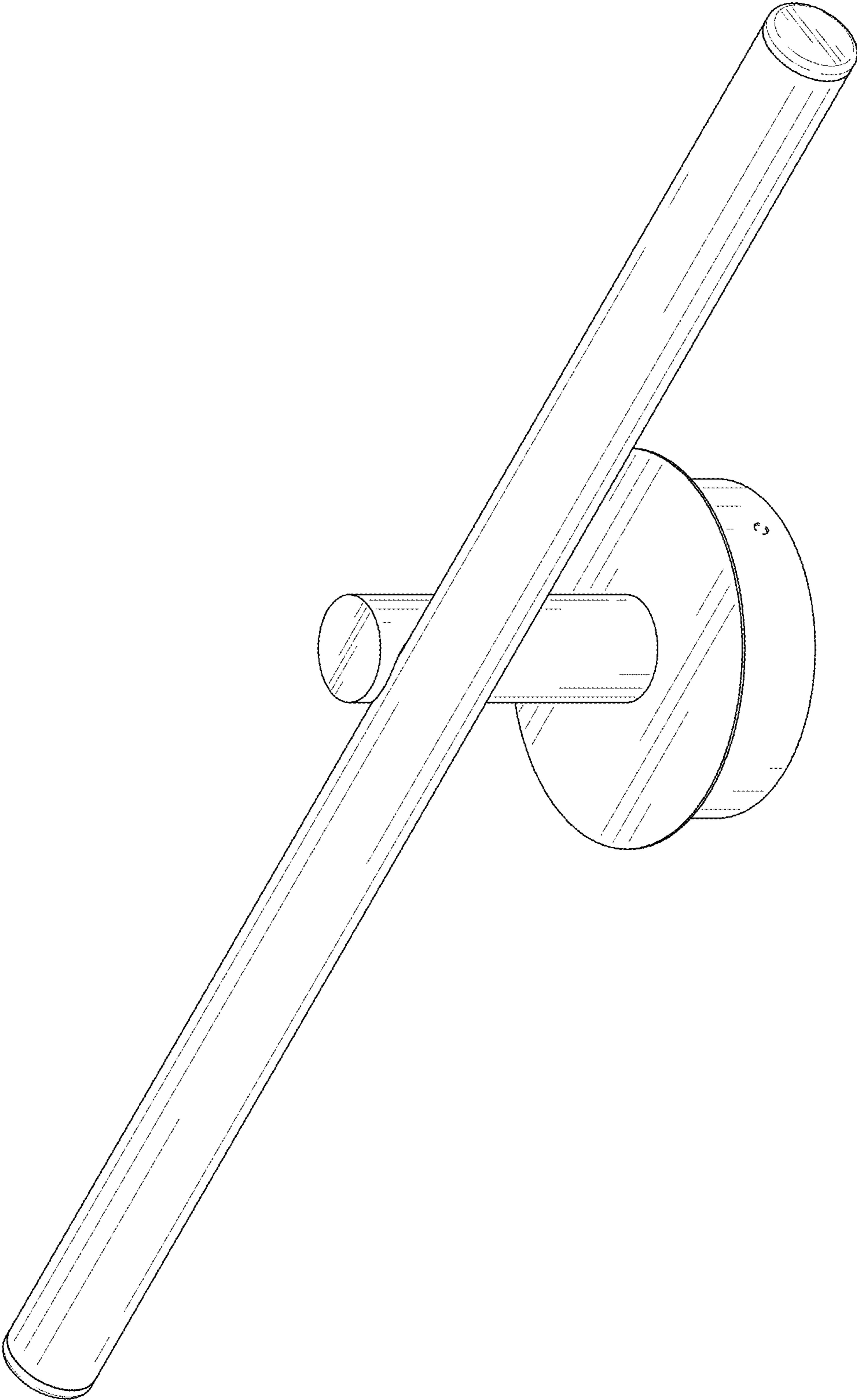


FIG. 1

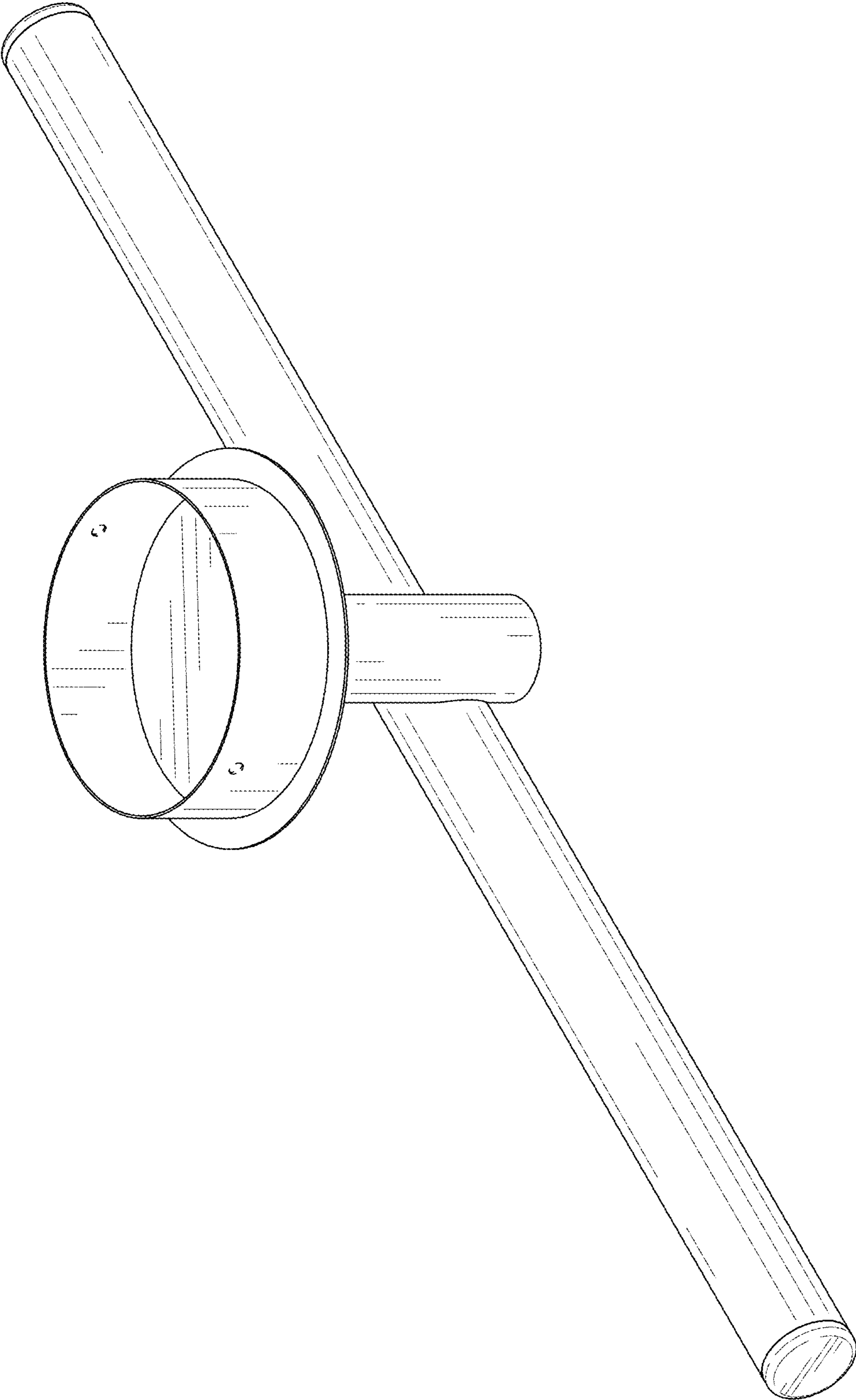


FIG. 2

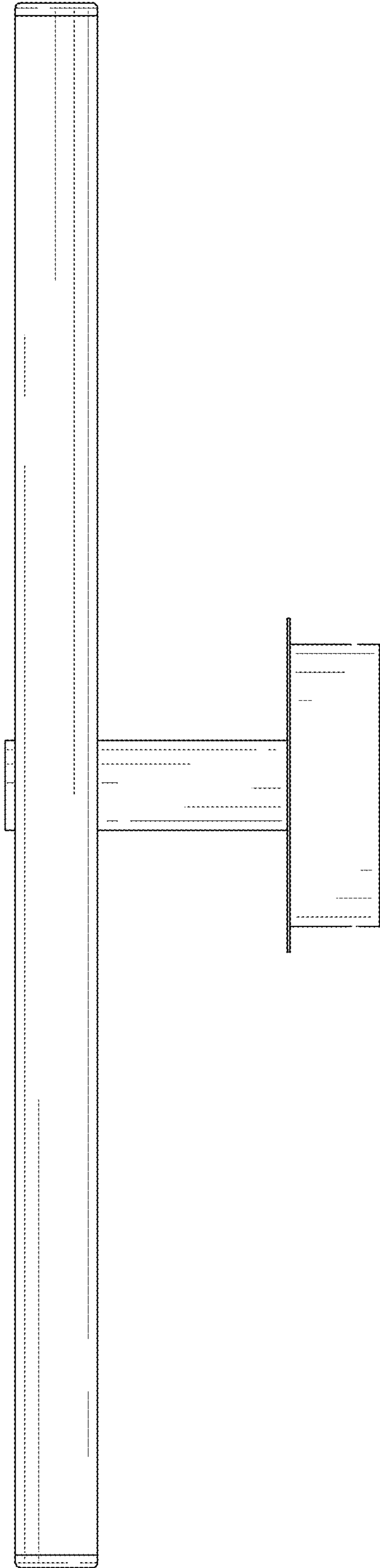


FIG. 3

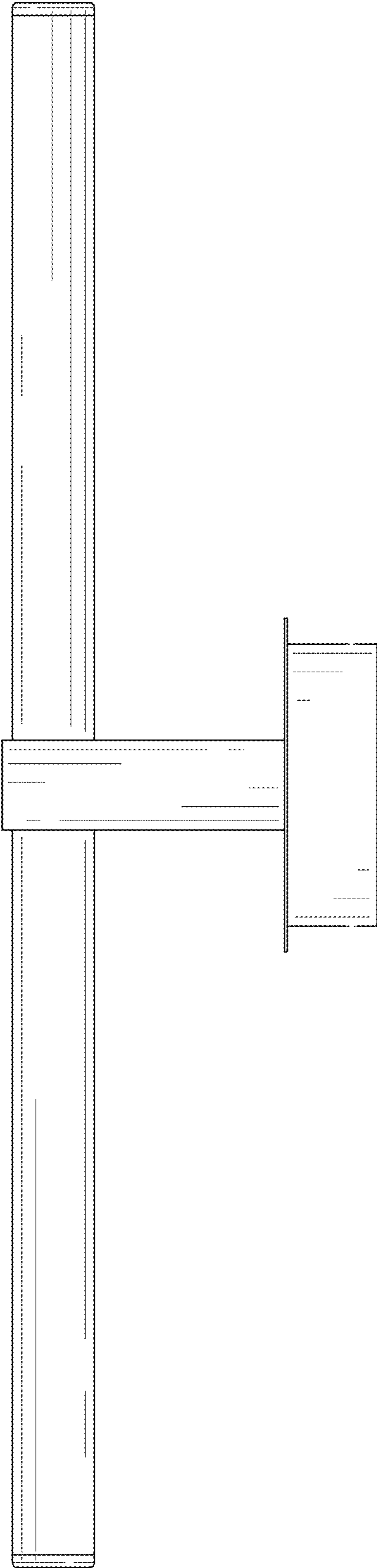


FIG. 4

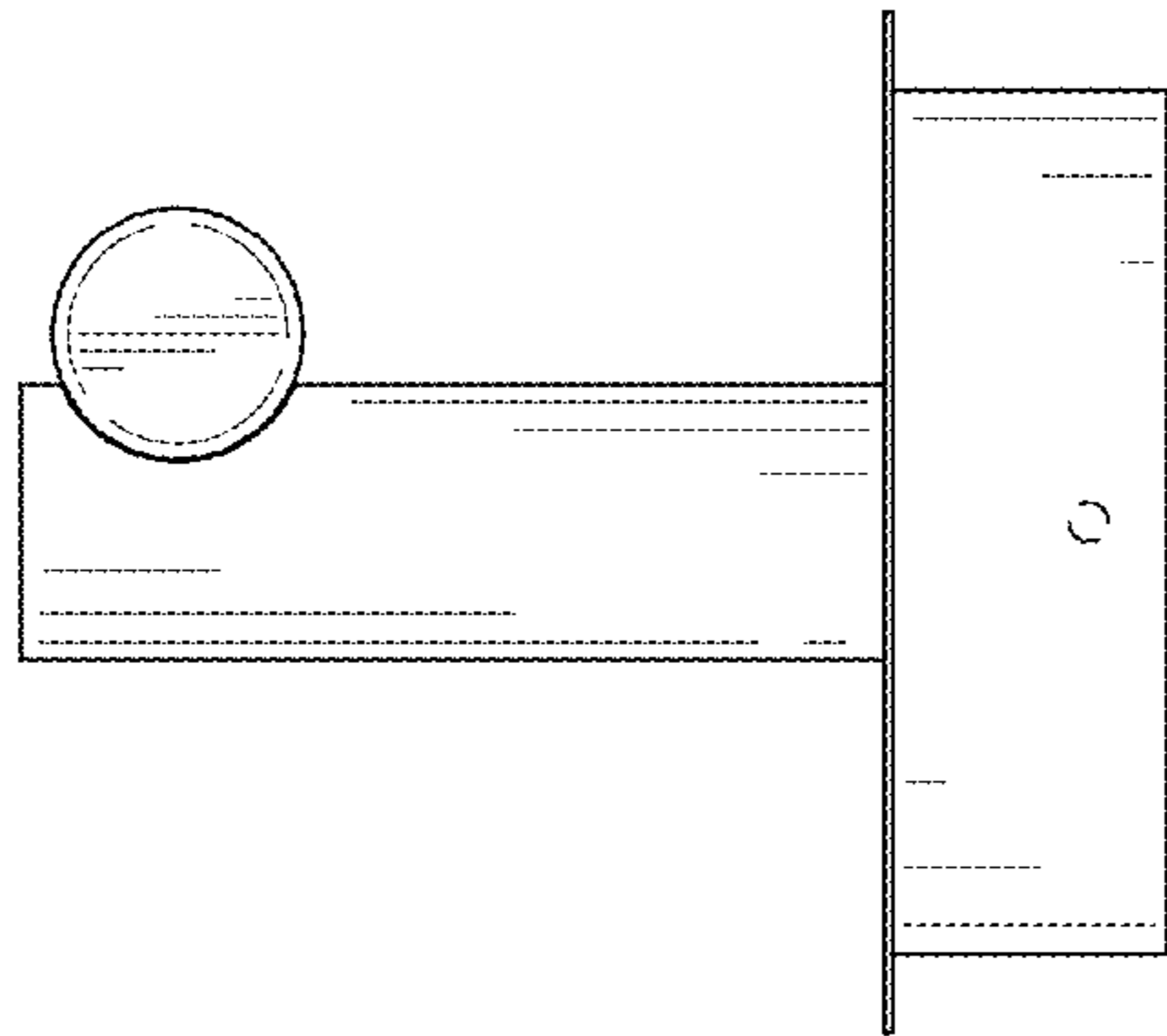


FIG. 5

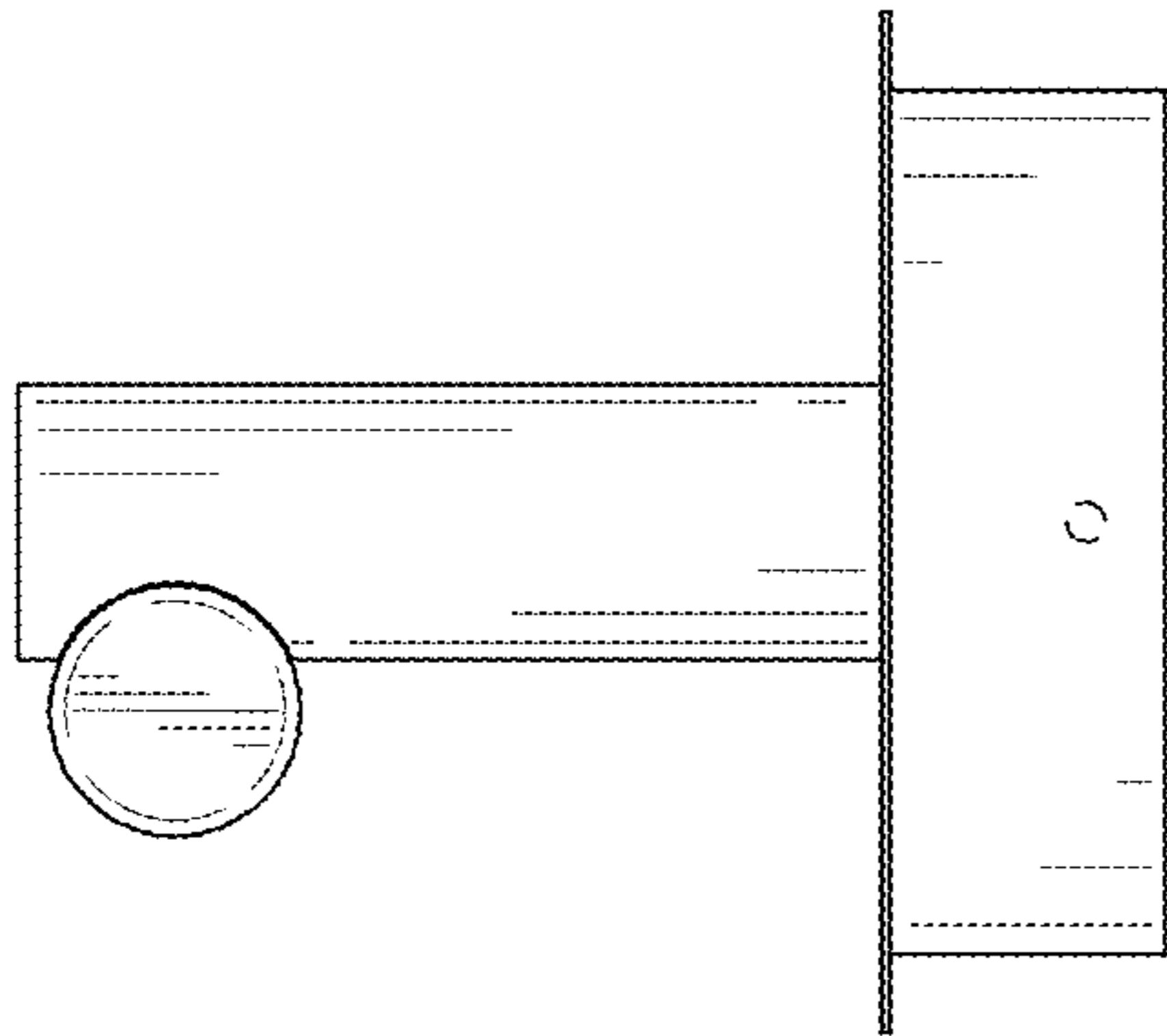


FIG. 6

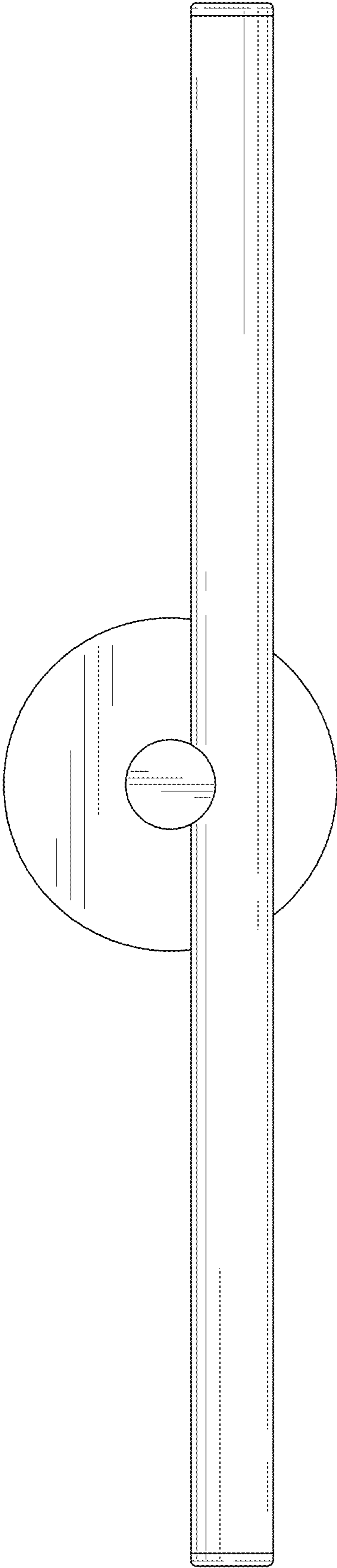


FIG. 7

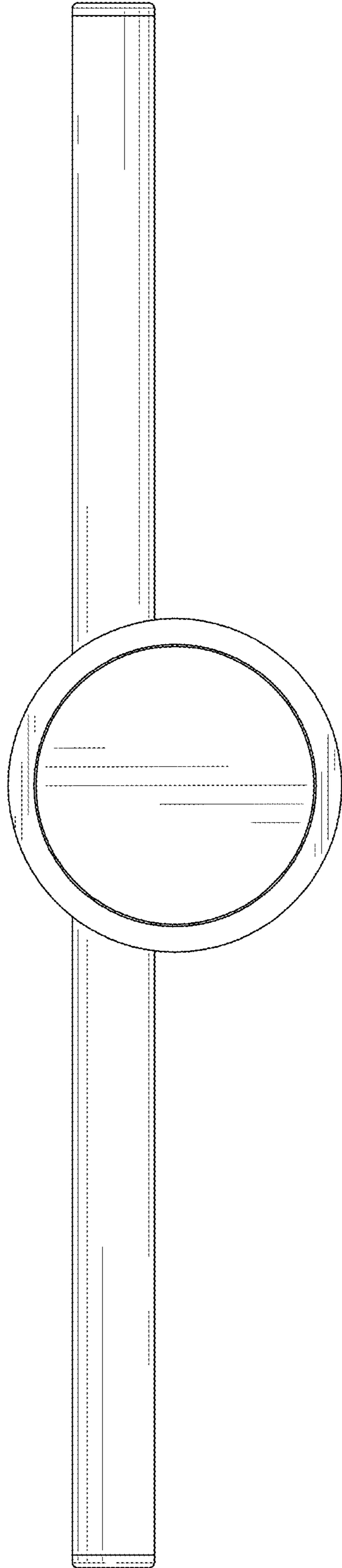


FIG. 8