



US00D907275S

(12) **United States Design Patent**  
**Chen**

(10) **Patent No.:** **US D907,275 S**

(45) **Date of Patent:** **\*\* Jan. 5, 2021**

(54) **LAMP**

(71) Applicant: **Chanzhen Chen**, Guangdong (CN)

(72) Inventor: **Chanzhen Chen**, Guangdong (CN)

(\*\*) Term: **15 Years**

(21) Appl. No.: **29/740,239**

(22) Filed: **Jul. 1, 2020**

(51) **LOC (13) Cl.** ..... **26-03**

(52) **U.S. Cl.**  
USPC ..... **D26/86**

(58) **Field of Classification Search**  
USPC ..... D26/72, 76, 80, 85-87, 92  
CPC .... F21S 8/03; F21S 8/031; F21S 8/033; F21S  
8/035; F21S 8/036

See application file for complete search history.

(56) **References Cited**

**U.S. PATENT DOCUMENTS**

D501,060 S *	1/2005	Lee	.....	D26/80
D564,693 S *	3/2008	Ziliani	.....	D26/85
D613,896 S *	4/2010	Chandler	.....	D26/86
D816,881 S *	5/2018	Qiao	.....	D26/86
D816,882 S *	5/2018	Qiao	.....	D26/86
D822,233 S	7/2018	Wang et al.		
D869,730 S *	12/2019	Lin	.....	D26/80
D879,353 S *	3/2020	Lin	.....	D26/87
D879,354 S *	3/2020	Lin	.....	D26/87
D898,269 S *	10/2020	Huang	.....	D26/86
2013/0077295 A1 *	3/2013	Hayashi	.....	H05K 1/0271 362/217.05

**OTHER PUBLICATIONS**

Gemini Nickel and Slate Gray Fabric Shades 3-Light Vanity Fixture by Nuvo Lighting available at overstock.com as early as Feb. 12, 2014. (Year: 2014).\*

Sanderling 3-light vanity light in brushed nickel from signaturehardware.com, visited Nov. 19, 2020. (Year: 2020).\*

\* cited by examiner

*Primary Examiner* — Clare E Heflin

(74) *Attorney, Agent, or Firm* — ZANIP

(57) **CLAIM**

The ornamental design for a lamp, as shown and described.

**DESCRIPTION**

FIG. 1 is a rear and bottom perspective view of a lamp, showing my new design;

FIG. 2 is a front and top perspective view thereof;

FIG. 3 is a front elevation view thereof;

FIG. 4 is a rear elevation view thereof;

FIG. 5 is a top plan view thereof;

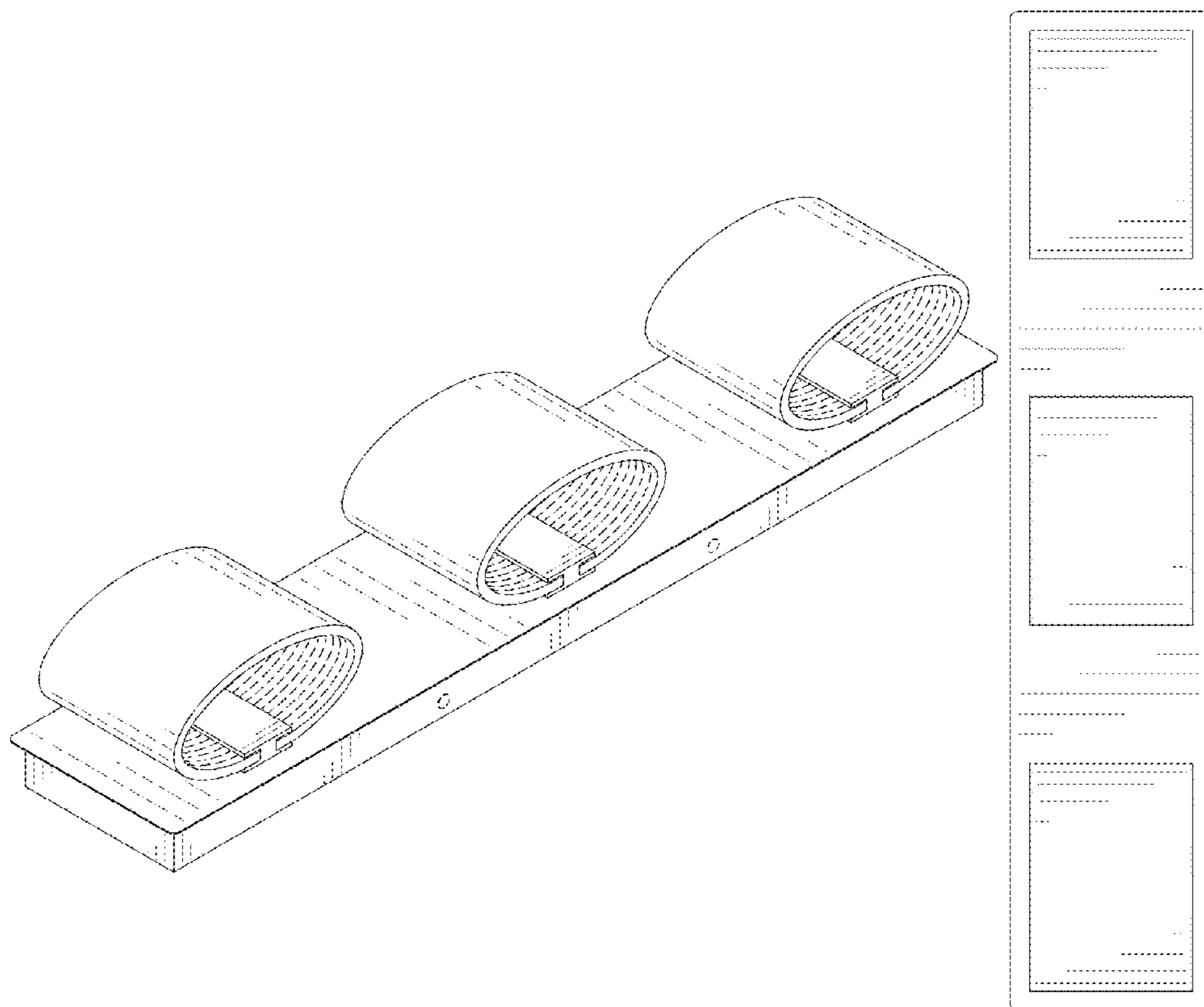
FIG. 6 is a bottom plan view thereof;

FIG. 7 is a left side elevation view thereof; and,

FIG. 8 is a right side elevation view thereof.

The broken lines in the figures illustrate portions of the article that form no part of the claimed design.

**1 Claim, 8 Drawing Sheets**



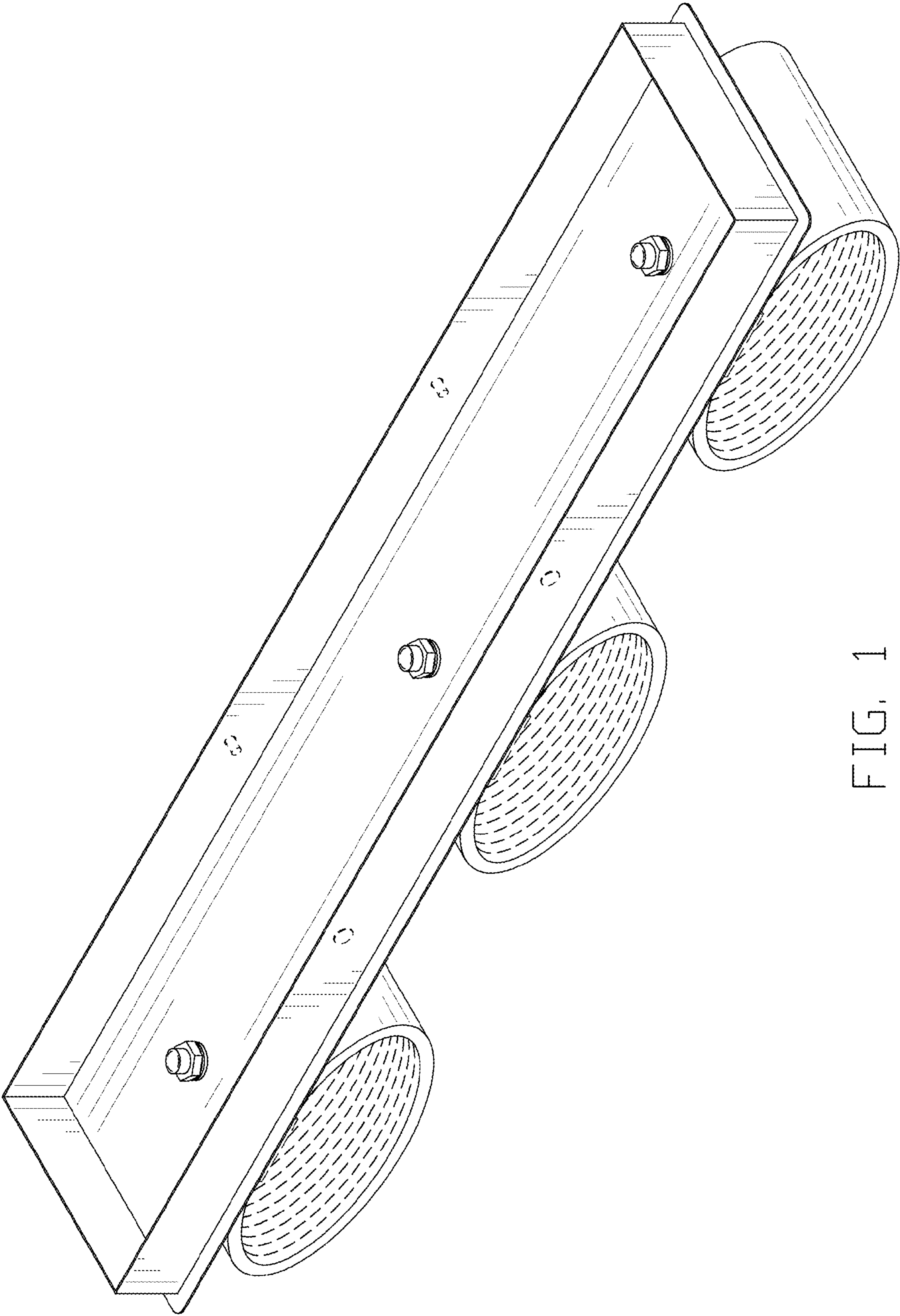


FIG. 1

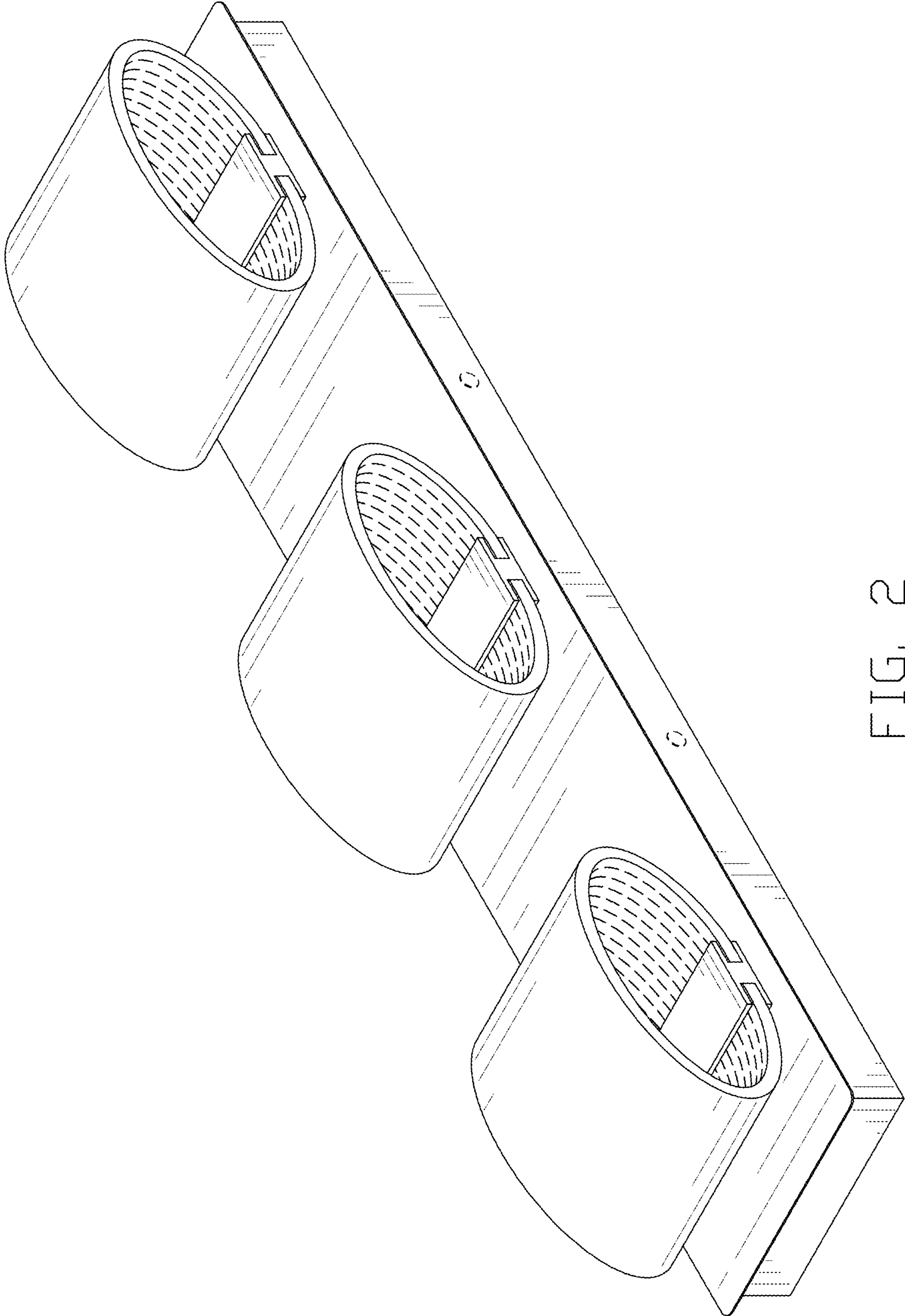


FIG. 2

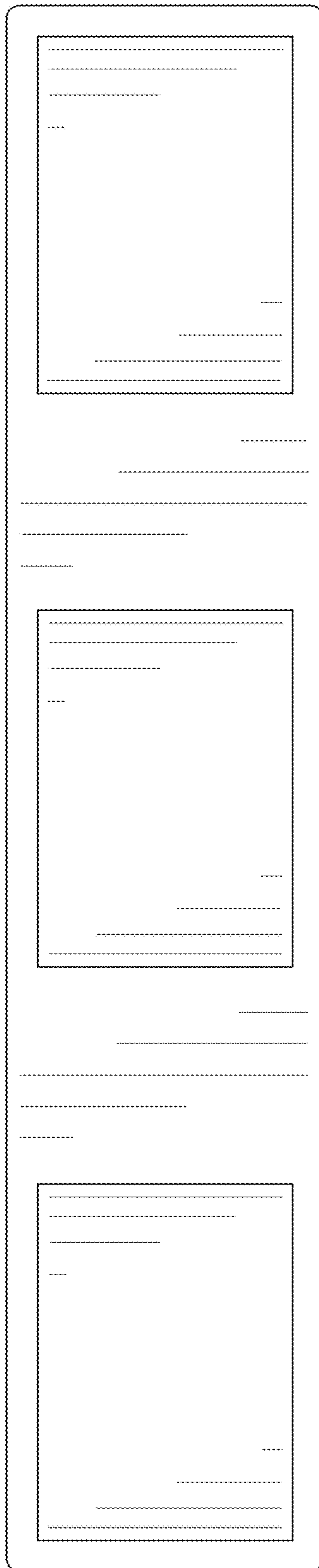


FIG. 3

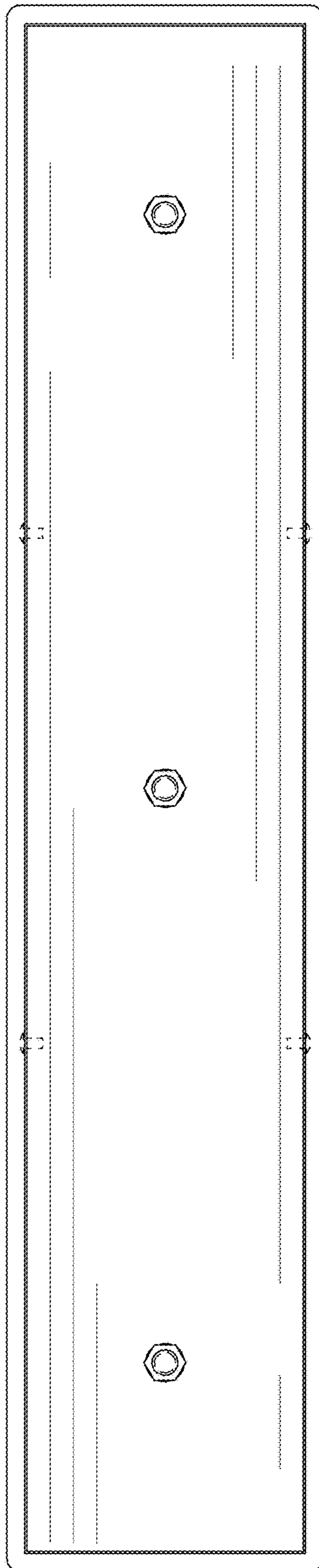


FIG. 4

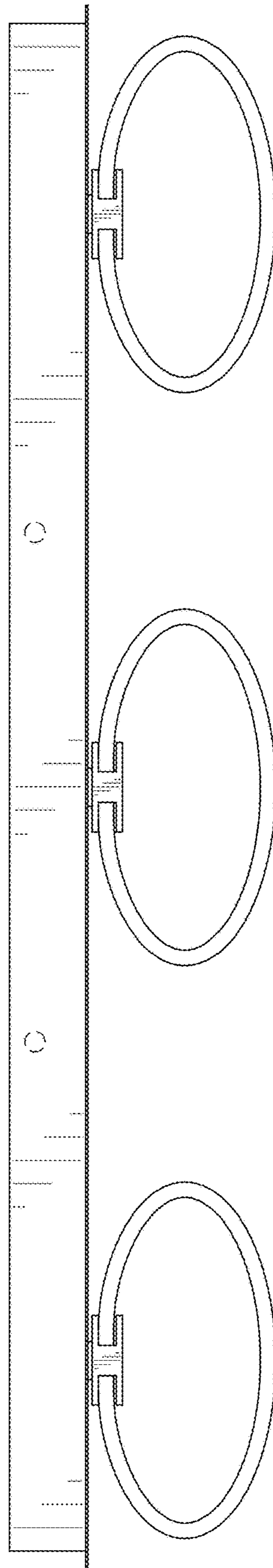


FIG. 5

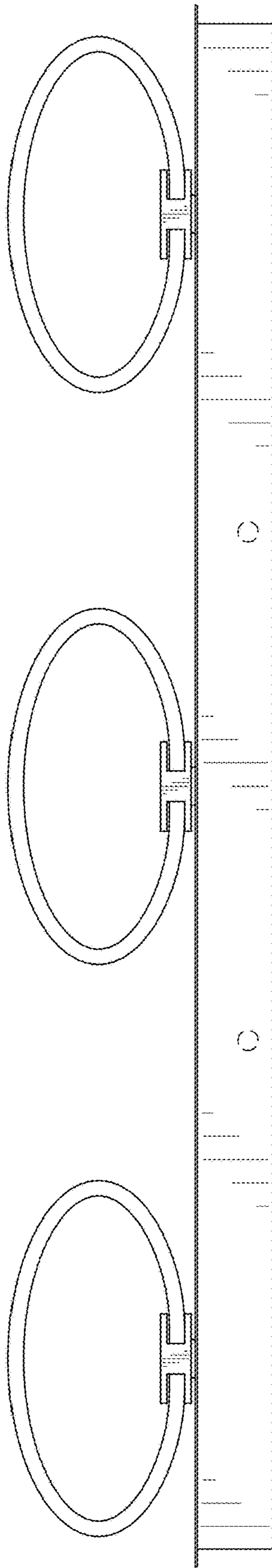


FIG. 6

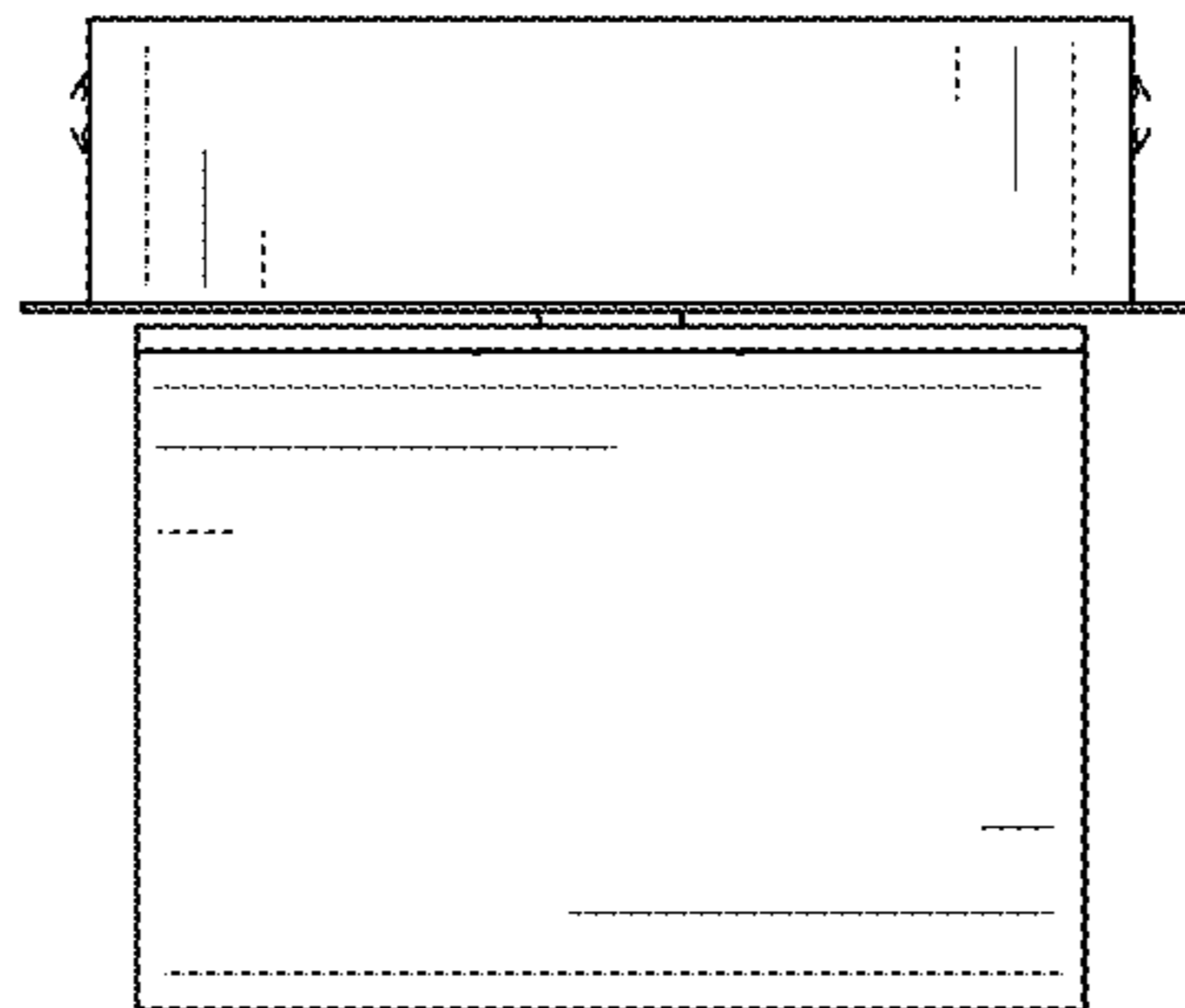


FIG. 7



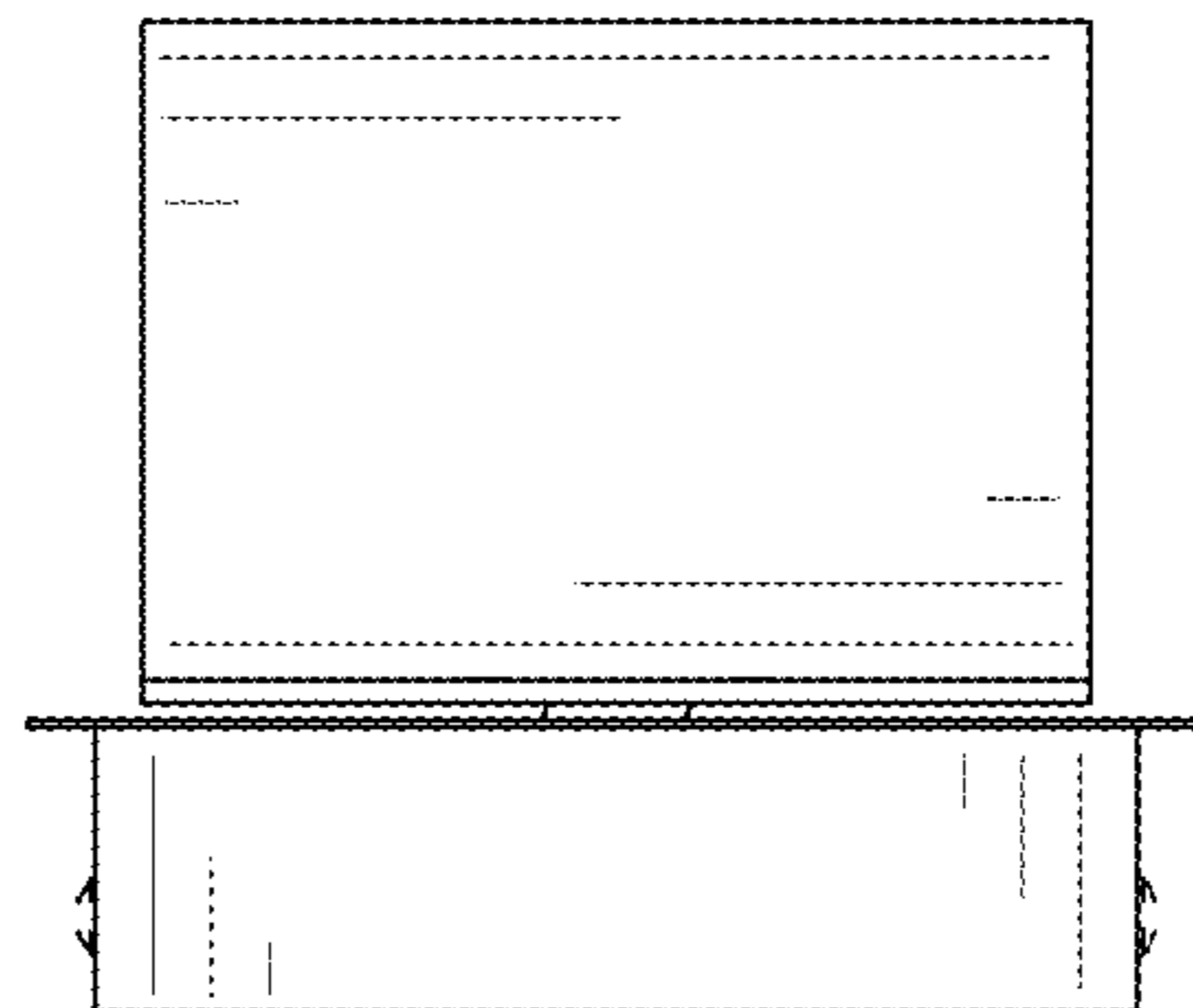


FIG. 8